

ZST40 & ZST48 Mulching Baffle Kit

Land Pride Zero Turn Mower



Manual No. 357-554M

Before You Start



When you see this symbol, the subsequent instructions and warnings are serious - follow without exception. Your life and the lives of others depend on it!

IMPORTANT: Before you begin, read these instructions and check to be sure all parts and tools are accounted for. Please retain these instructions for future reference and parts ordering information.

Your Land Pride Mulching Baffle Kit is exclusively designed for the ZST Series Land Pride Zero Turn Mowers. Please read these installation instructions and the vehicle Operator's Manual thoroughly before beginning. Especially read information relating to safety concerns. Also included in the Operator's Manual is important information on operation, adjustment, troubleshooting, and maintenance for this attachment. Some manual sections do not apply to all accessories.

A separate Parts Manual for replacement parts can be purchased from your nearest Land Pride dealer or downloaded free of charge from our web site at www.landpride.com. Have model and serial numbers handy when placing an order.

Manual Part Numbers:

- Operator's Manual 357-505M
- Parts Manual 357-505P

General Information

These assembly instructions apply to the following Mulching Baffle Kits listed below.

- 357-461A MULCH KIT, 40 IN
- 357-484A MULCH KIT, 48 IN

Tools required

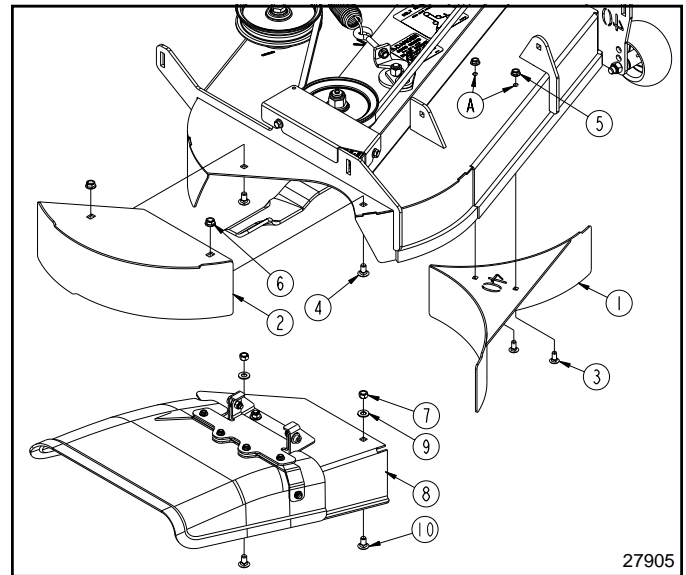
- Safety glasses
- Work gloves
- Drive Punch
- Torque wrench with 1/2" & 9/16" sockets
- Hammer
- 9/16" wrench
- 1/2" wrench

ZST40 Mulching Kit Assembly

ZST40 Kit No. 357-461A

A detailed listing of parts for this ZST40 Mulching Baffle Kit is provided on this page. Use the parts list as a checklist to inventory parts received. Please contact your local Land Pride dealer for any missing hardware. For mulching blade information, see "Mulching Blades" on page 2.

1. Park mower on a flat surface, move control levers fully out, set park brake lever to on, shut engine off, remove key, and remove spark plug wires from spark plugs.



ZST40 Mulching Baffle Kit Shown
Figure 1

357-461A ZST40 MULCHING BAFFLE KIT			
Your Kit Includes: (Mulching Blades Not Included)			
Item	Qty.	Part No.	Part Description
1	1	357-447H	BAFFLE, MULCH, 40
2	1	357-448H	MULCH PLUG, 40
3	2	802-092C	RHSNB 5/16-18X3/4 GR5
4	2	802-149C	RHSNB 3/8-16X3/4 GR5
5	2	803-043C	NUT HEX WHIZ 5/16-18 PLT
6	2	803-068C	NUT HEX FLANGE 3/8-16 PLT
		357-354M	THIS MANUAL

IMPORTANT: Be sure to properly block mower up so it can not move after it is raised.

2. Remove floor platform and raise front end of mower enough to allow room to install baffles under the deck.

Refer to Figure 1:

3. Remove hex top lock nuts (#7), flat washers (#9), carriage bolts (#10), and discharge chute (#8). Store removed parts in a safe location for reinstallation should the baffles ever be removed.
4. Locate two pilot holes (A) which have knock-outs in the deck. Punch-out these holes. Make sure knock-outs are completely removed.
5. Attach mulching baffle (#1) to the deck with 5/16"-18 x 3/4" GR5 carriage bolts (#3) and secure with hex whiz nuts (#5). Tighten nuts to 17 ft-lbs.
6. Attach mulching plug (#2) to the deck with two 3/8"-16 x 3/4" GR5 carriage bolts (#3) and hex flange nuts (#6). Tighten nuts to 31 ft-lbs.
7. Lower unit down and reconnect spark plug wires.

ZST48 Mulching Kit Assembly

ZST48 Mulching Kit Assembly

ZST48..... Kit No. 357-484A

A detailed listing of parts for this ZST48 Mulching Baffle Kit is provided on this page. Use the parts list as a checklist to inventory parts received. Please contact your local Land Pride dealer for any missing hardware. For mulching blade information, see "Mulching Blades" on this page.

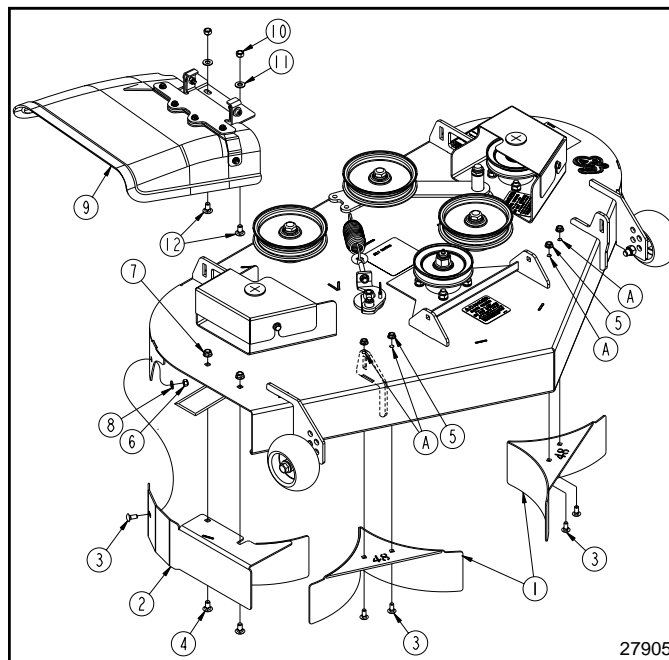
1. Park mower on a flat surface, move control levers fully out, set park brake lever to on, shut engine off, remove key, and remove spark plug wires from spark plugs.

IMPORTANT: Be sure to properly block mower up so it can not move after it is raised.

2. Remove floor platform and raise front end of mower enough to allow room to install baffles under the deck.

Refer to Figure 2:

3. Remove hex top lock nuts (#10), flat washers (#11), carriage bolts (#12), and discharge chute (#9). Store removed parts in a safe location for reinstallation should the baffles ever be removed.
4. Locate four pilot holes (A) which have knock-outs in the deck. Punch-out these holes. Make sure knock-outs are completely removed.
5. Attach mulching baffles (#1) to deck with 5/16"-18 x 3/4" GR5 carriage bolts (#3) and secure with hex whiz nuts (#5). Tighten nuts to 17 ft-lbs.
6. Attach mulching plug (#2) to the deck with two 3/8"-16 x 3/4" GR5 carriage bolts (#4), hex flange lock nuts (#7), one 5/16"-18 x 3/4" GR5 carriage bolt (#3), flat washer (#8), and nylock nut (#6).
7. Tighten 3/8" lock nuts (#5) to 31 ft-lbs. and 5/16" nylock nut (#6) to 17 ft-lbs.
8. Lower unit down to ground and reconnect spark plug wires.



**ZST48 Mulching Baffle Kit Shown
Figure 2**

357-481A ZST48 MULCHING BAFFLE KIT			
Your Kit Includes: (Mulching Blades Not Included)			
Item	Qty.	Part No.	Part Description
1	2	357-483H	MULCH BAFFLE, 48
2	1	357-485H	MULCH PLUG, 48
3	5	802-092C	RHSNB 5/16-18X3/4 GR5
4	2	802-149C	RHSNB 3/8-16X3/4 GR5
5	4	803-043C	NUT HEX WHIZ 5/16-18 PLT
6	1	803-084C	NUT HEX NYLOCK 5/16-18 PLT
7	2	803-209C	NUT FLANGE LOCK 3/8-16 PLT
8	1	804-036C	WASHER FLAT 5/16 SAE PLT
		357-354M	THIS MANUAL

Mulching Blades

Mulching blades are sold separately. Use table below when ordering blades. Each Part No. is for one blade. Make sure you order the required number of blades needed for your mower.

Mulching Blade Ordering Information		
Mower Model	Part No.	Requires
ZST40	890-702C	2 Blades
ZST48	890-700C	3 Blades



Corporate Office: P.O. Box 5060
Salina, Kansas 67402-5060 USA
www.landpride.com

Free Manuals Download Website

<http://myh66.com>

<http://usermanuals.us>

<http://www.somanuals.com>

<http://www.4manuals.cc>

<http://www.manual-lib.com>

<http://www.404manual.com>

<http://www.luxmanual.com>

<http://aubethermostatmanual.com>

Golf course search by state

<http://golfingnear.com>

Email search by domain

<http://emailbydomain.com>

Auto manuals search

<http://auto.somanuals.com>

TV manuals search

<http://tv.somanuals.com>