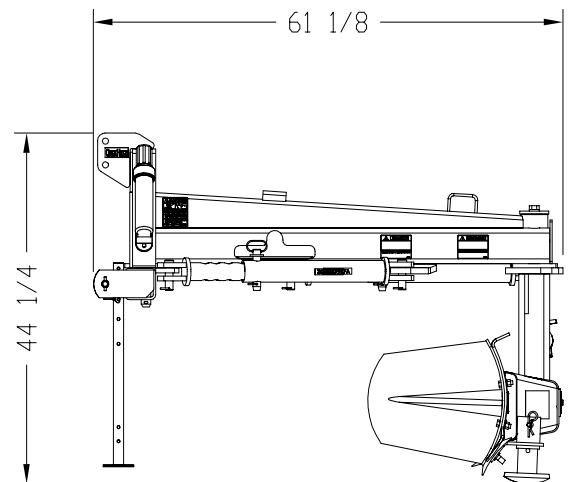
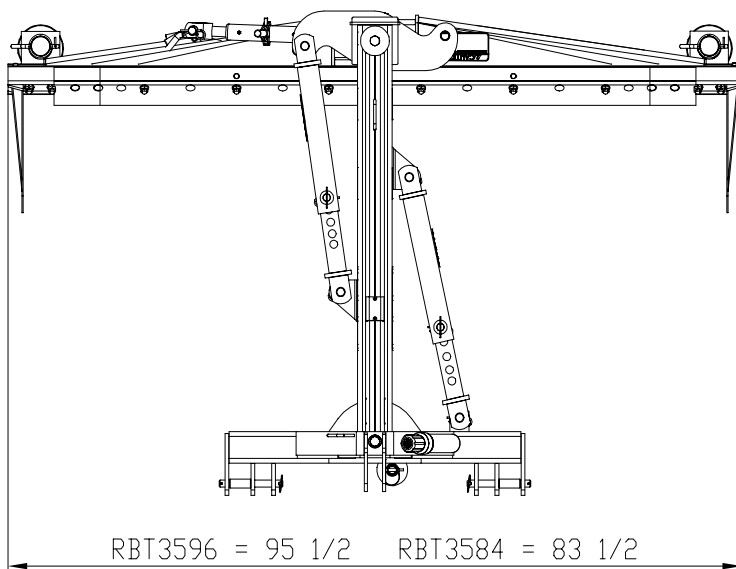


# Specifications & Capacities

## Rear Blades

RBT35 Series		
	RBT3584	RBT3596
Blade Width	84"	96"
Approximate Weight (lbs.) with manual links	709#	745#
Maximum Engine Horsepower	80 HP for 2 Wheel Drive and 65 HP for 4 Wheel Drive	
Maximum G.V.W. (lbs.)	9500	
Hitch Type	Cat. 1 & 2 Fits Land Pride Quick-Hitch	
Blade Angle	9 positions in 10 degree increments (1 center, 4 clockwise & 4 counterclockwise). Up to 50 degrees in either direction.	
Angle Cylinder	3 1/2" X 14" X 1 1/4"	
Blade Tilt	Up to 20 degrees	
Tilt Cylinder	2" X 6" X 1 1/4"	
Blade Offset	Up to 30 inches left and right	
Offset Cylinder	3 1/2" X 14" X 1 1/4"	
Moldboard Height	17" tall	
Moldboard Thickness	5/16" reinforced, 3/16" tapered reinforcement channel	
Moldboard King Pin	3" diameter	
Cutting Edge	1/2" x 6" Heat reversible blade	
Main Frame Construction	Fully Welded Tubular Construction	
Parking Stand	Retractable	
Accessories	Skid Shoes End Plates Gauge Wheel Cushion Valve	



26808

**Top View**

**Side View**

*Designs, specifications, features and information are subject to change without notice.*

## Free Manuals Download Website

<http://myh66.com>

<http://usermanuals.us>

<http://www.somanuals.com>

<http://www.4manuals.cc>

<http://www.manual-lib.com>

<http://www.404manual.com>

<http://www.luxmanual.com>

<http://aubethermostatmanual.com>

Golf course search by state

<http://golfingnear.com>

Email search by domain

<http://emailbydomain.com>

Auto manuals search

<http://auto.somanuals.com>

TV manuals search

<http://tv.somanuals.com>