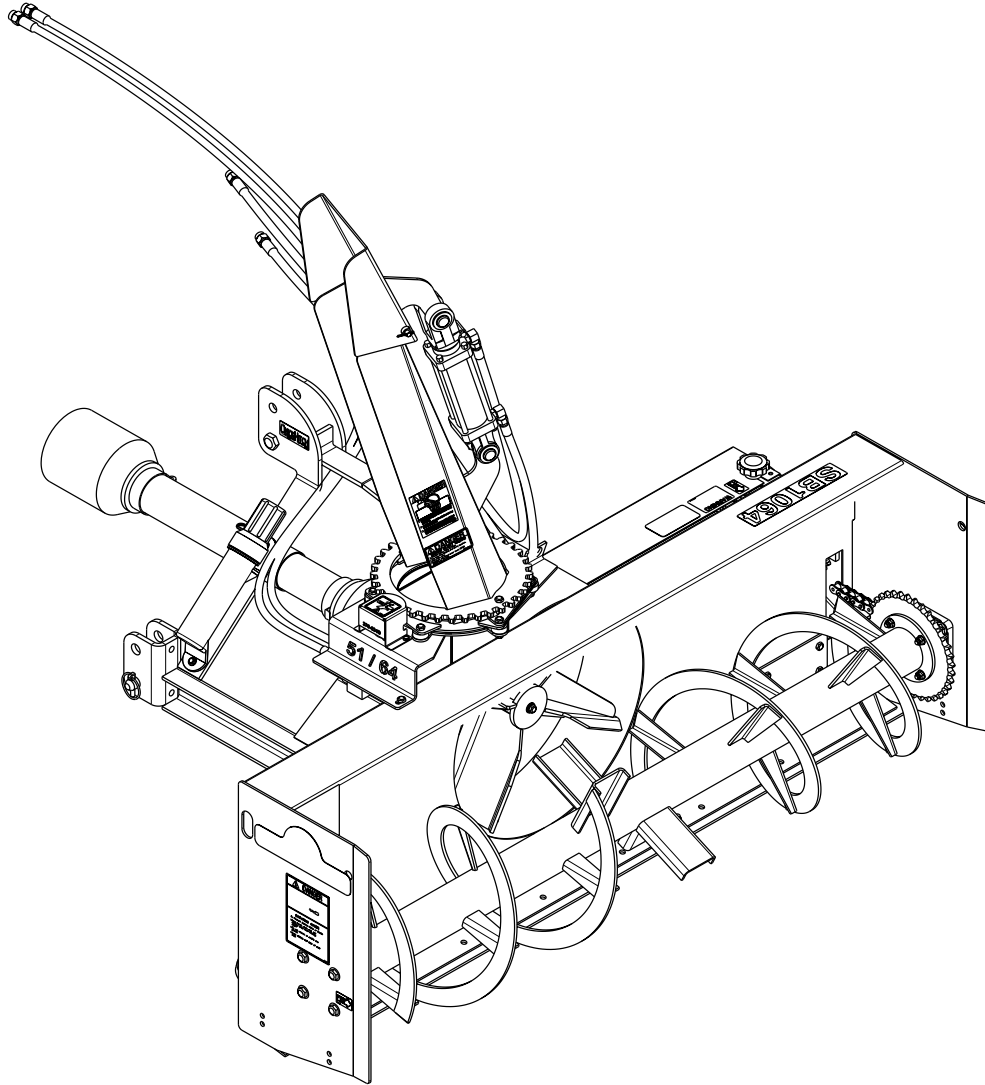


# Snow Blowers

SB1051, SB1064, SB1574, & SB2584 with S/N 881640-



33234

SB10 Series Shown with Optional Hydraulic Chute Rotor and Hydraulic Chute Tilt



Read the Operator's Manual entirely. When you see this symbol, the subsequent instructions and warnings are serious - follow without exception. Your life and the lives of others depend on it!

*Cover illustration may show optional equipment not supplied with standard unit.*

© Copyright 2014 Printed 10/08/14

370-027M  
Operator's Manual



SB10 Series



SB15 Series



SB25 Series

<b>Important Safety Information</b> . . . . .	<b>1</b>	Chute Rotation . . . . .	20
Safety at All Times . . . . .	1	Manual Rotation . . . . .	20
Look For The Safety Alert Symbol . . . . .	1	Electric Motor Rotation . . . . .	20
Safety Labels . . . . .	4	Hydraulic Motor Rotation . . . . .	20
<b>Introduction</b> . . . . .	<b>7</b>	Discharge Chute Tilting . . . . .	20
Application . . . . .	7	Manual Tilting . . . . .	20
Using This Manual . . . . .	7	Electric Actuator Tilting . . . . .	20
Owner Assistance . . . . .	7	Hydraulic cylinder Tilting . . . . .	20
Serial Number . . . . .	7	Inner Skid Shoes . . . . .	21
<b>Section 1: Standard Assembly &amp; Set-up</b> . . . . .	<b>8</b>	Outer Skid Shoes . . . . .	21
Tractor Requirements . . . . .	8	Outer Wear Bars . . . . .	22
Torque Requirements . . . . .	8	Roller Chain Take-up . . . . .	22
Dealer Set-up Instructions . . . . .	8	<b>Section 5: Operating Instructions</b> . . . . .	<b>23</b>
Loading & Unloading . . . . .	8	Operating Checklist . . . . .	23
Chute Assembly . . . . .	8	Inspection Procedures . . . . .	23
<b>Section 2: Optional Assembly &amp; Set-up</b> . . . . .	<b>9</b>	Transporting . . . . .	23
Chute Rotation, Manual . . . . .	9	Safety Information . . . . .	24
Chute Rotation, Electric Motor . . . . .	10	General Operator Instructions . . . . .	26
Chute Rotation, Hydraulic Motor . . . . .	11	<b>Section 6: Maintenance &amp; Lubrication</b> . . . . .	<b>28</b>
Chute Tilt, Manual . . . . .	12	General Maintenance Information . . . . .	28
Chute Tilt, Electric Actuated . . . . .	12	Tractor Maintenance . . . . .	28
Chute Tilt, Hydraulic Cylinder . . . . .	12	Auger & Impeller Inspection . . . . .	28
Wear Bar, Lower . . . . .	13	Shearbolt Protection . . . . .	29
Skid Shoes, Outer . . . . .	13	Drive Shaft Shearbolt . . . . .	29
Wear Bars, Outer . . . . .	13	Driveline Shearbolt . . . . .	29
Skid Shoes, Inner . . . . .	13	Chute Bearings . . . . .	30
<b>Section 3: Tractor Hook-up &amp; Unhook</b> . . . . .	<b>14</b>	Drive Chain . . . . .	30
Snow Blower Hook-up . . . . .	14	Inner Skid Shoes (Optional) . . . . .	30
Leveling The Snow Blower . . . . .	14	Outer Skid Shoes (Optional) . . . . .	31
Driveline Installation . . . . .	15	Outer Wear Bars (Optional) . . . . .	31
Check Driveline Collapsible Length . . . . .	15	Lower Wear Bar (Optional) . . . . .	32
Shorten Driveline . . . . .	15	Long Term Storage . . . . .	32
Check Driveline Maximum Length . . . . .	16	Ordering Replacement Parts . . . . .	32
Check Driveline Interference . . . . .	16	Lubrication . . . . .	33
Hydraulic Hook-up . . . . .	17	Shearbolt Sprocket Hub . . . . .	33
Hydraulic Motor . . . . .	17	Auger Flange Bearings . . . . .	33
Hydraulic Cylinder . . . . .	17	Drive Chain . . . . .	33
Electrical Hook-up . . . . .	17	Gearbox . . . . .	34
Unhooking Snow Blower . . . . .	18	Driveline U-joints . . . . .	34
<b>Section 4: Adjustments</b> . . . . .	<b>19</b>	Driveline Shaft . . . . .	34
Hitch Pin Locations . . . . .	19	<b>Section 7: Specifications &amp; Capacities</b> . . . . .	<b>35</b>
Standard 3-Point & Quick-Hitch Hook-up . . . . .	19	<b>Section 8: Features &amp; Benefits</b> . . . . .	<b>37</b>
Special 3-Point Hook-up . . . . .	19	<b>Section 9: Torque Values Chart</b> . . . . .	<b>38</b>
Special Quick-Hitch Hook-up . . . . .	19	<b>Section 10: Warranty</b> . . . . .	<b>39</b>



© Copyright 2014 All rights Reserved

Land Pride provides this publication "as is" without warranty of any kind, either expressed or implied. While every precaution has been taken in the preparation of this manual, Land Pride assumes no responsibility for errors or omissions. Neither is any liability assumed for damages resulting from the use of the information contained herein. Land Pride reserves the right to revise and improve its products as it sees fit. This publication describes the state of this product at the time of its publication, and may not reflect the product in the future.

Land Pride is a registered trademark.

All other brands and product names are trademarks or registered trademarks of their respective holders.

Printed in the United States of America.

## Important Safety Information

These are common practices that may or may not be applicable to the products described in this manual.

### Safety at All Times

Thoroughly read and understand the instructions given in this manual before operation. Refer to the "Safety Label" section, read all instructions noted on them.

Do not allow anyone to operate this equipment who has not fully read and comprehended this manual and who has not been properly trained in the safe operation of the equipment.

- ▲ The operator must not use drugs or alcohol as they can change the alertness or coordination of that person while operating equipment. The operator should, if taking over-the-counter drugs, seek medical advice on whether he/she can safely operate the equipment.
- ▲ Operator should be familiar with all functions of the unit.
- ▲ Operate controls from the driver's seat only. Never operate controls from the ground.
- ▲ Make sure all guards and shields are in place and secured before operating implement.
- ▲ Keep all bystanders away from equipment and work area.
- ▲ Do not leave tractor or implement unattended with engine running.
- ▲ Dismounting from a moving tractor can cause serious injury or death.
- ▲ Do not allow anyone to stand between tractor and implement while backing up to implement.
- ▲ Keep hands, feet, and clothing away from power-driven parts.
- ▲ Watch out for fences, trees, rocks, wires, etc., while operating and transporting implement.
- ▲ Turning tractor too tight may cause hitched machinery to ride up on wheels. This could result in injury or equipment damage.



### Look For The Safety Alert Symbol

The SAFETY ALERT SYMBOL indicates there is a potential hazard to personal safety involved and extra safety precaution must be taken. When you see this symbol, be alert, and carefully read the message that follows it. In addition to design and configuration of equipment, hazard control, and accident prevention are dependent upon the awareness, concern, prudence, and proper training of personnel involved in the operation, transport, maintenance, and storage of equipment.

### Be Aware of Signal Words

A Signal word designates a degree or level of hazard seriousness. The signal words are:

#### ⚠ DANGER

Indicates an imminently hazardous situation which, if not avoided, will result in death or serious injury. This signal word is limited to the most extreme situations, typically for machine components that, for functional purposes, cannot be guarded.

#### ⚠ WARNING

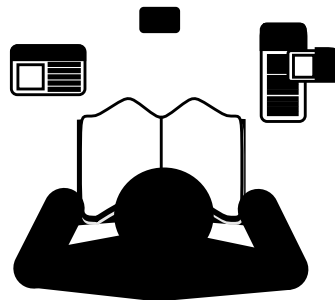
Indicates a potentially hazardous situation which, if not avoided, could result in death or serious injury, and includes hazards that are exposed when guards are removed. It may also be used to alert against unsafe practices.

#### ⚠ CAUTION

Indicates a potentially hazardous situation which, if not avoided, may result in minor or moderate injury. It may also be used to alert against unsafe practices.

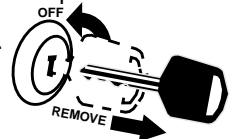
### For Your Protection

- ▲ Thoroughly read and understand the "Safety Label" section, read all instructions noted on them.



### Tractor Shutdown & Storage

- ▲ If engaged, disengage PTO.
- ▲ Lower attached implement to ground, put tractor in park or set park brake, turn off engine, and remove switch key to prevent unauthorized starting.
- ▲ Wait for all components to come to a complete stop before leaving the operator's seat.
- ▲ Detach and store implement in an area where children normally do not play. Secure implement using blocks and supports.



### Manual QR Locator

The QR (Quick Reference) codes on the cover and below will take you to the Parts Manual for this equipment. Download the appropriate App on your camera phone, open the App, point your phone on the QR code, and take a picture.



SB10 Series



SB15 Series



SB25 Series

### Dealer QR Locator

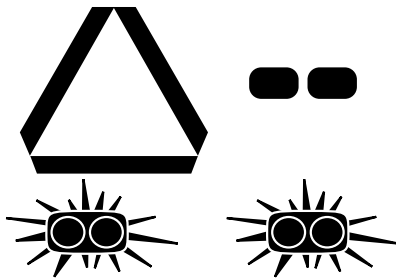
The QR code below will link you to available dealers for Land Pride products.



These are common practices that may or may not be applicable to the products described in this manual.

### Use Safety Lights and Devices

- ▲ Slow moving tractors, self-propelled equipment, and towed implements can create a hazard when driven on public roads. They are difficult to see, especially at night.
- ▲ Flashing warning lights and turn signals are recommended whenever driving on public roads.



### Transport Machinery Safety

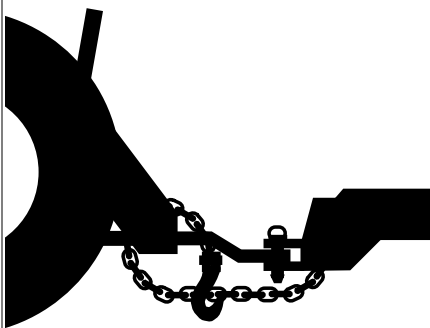
- ▲ Comply with state and local laws.
- ▲ Use towing vehicle and trailer of adequate size and capacity.
- ▲ Secure equipment towed on a trailer with tie downs and chains.
- ▲ Sudden braking can cause a trailer to swerve and upset. Reduce speed if trailer is not equipped with brakes.
- ▲ Avoid contact with any over head utility lines or electrically charged conductors.
- ▲ Engage parking brake when stopped on an incline.

- ▲ Maximum transport speed for an attached implement is 20 mph. DO NOT EXCEED. Never travel at a speed which does not allow adequate control of steering and stopping. Some rough terrains require a slower speed.
- ▲ As a guideline, use the following maximum speed weight ratios for an attached implement:
  - 20 mph** when weight of attached implement is less than or equal to the weight of machine towing the implement.
  - 10 mph** when weight of attached implement exceeds weight of machine towing implement but not more than double the weight.
- ▲ **IMPORTANT:** Do not tow a load that is more than double the weight of the machine towing the load.



### Use A Safety Chain

- ▲ A safety chain will help control drawn machinery should it separate from the tractor drawbar.
- ▲ Use a chain with the strength rating equal to or greater than the gross weight of the towed machinery.
- ▲ Attach the chain to the tractor drawbar support or other specified anchor location. Allow only enough slack in the chain to permit turning.
- ▲ Do not use safety chain for towing.



### Practice Safe Maintenance

- ▲ Understand procedure before doing work. Use proper tools and equipment, refer to Operator's Manual for additional information.
- ▲ Work in a clean dry area.
- ▲ Lower attached implement to the ground, put tractor in park, turn off engine, and remove key before performing maintenance.
- ▲ Allow implement to cool completely before working on it.

- ▲ Disconnect battery ground cable (-) before servicing or adjusting electrical systems or before welding on implement.
- ▲ Do not grease or oil implement while it is in operation.
- ▲ Inspect all parts. Make certain parts are in good condition & installed properly.
- ▲ Remove buildup of grease, oil, or debris.
- ▲ Remove all tools and unused parts from implement before operation.

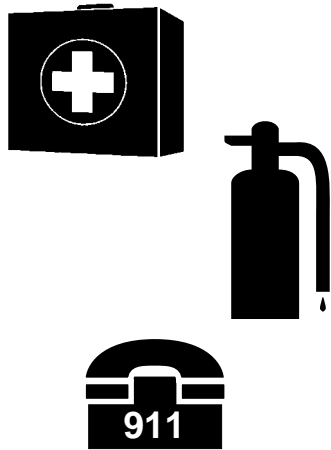


## Important Safety Information

These are common practices that may or may not be applicable to the products described in this manual.

### Prepare for Emergencies

- ▲ Be prepared if a fire starts.
- ▲ Keep a first aid kit and fire extinguisher handy.
- ▲ Keep emergency numbers for doctor, ambulance, hospital, and fire department near phone.



### Wear Protective Equipment

- ▲ Wear protective clothing and equipment appropriate for the job. Clothing should be snug fitting without fringes and pull strings to avoid entanglement with moving parts.
- ▲ Prolonged exposure to loud noise can cause hearing impairment or hearing loss. Wear suitable hearing protection such as earmuffs or earplugs.
- ▲ Operating equipment safely requires the operator's full attention. Avoid wearing radio headphones while operating machinery.



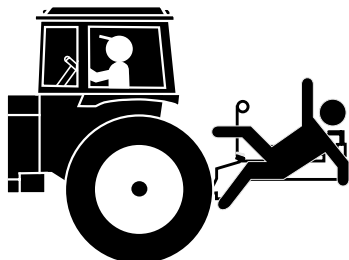
### Avoid High Pressure Fluids Hazard

- ▲ Escaping fluid under pressure can penetrate the skin causing serious injury.
- ▲ Avoid the hazard by relieving pressure before disconnecting hydraulic lines or performing work on the system.
- ▲ Make sure all hydraulic fluid connections are tight and all hydraulic hoses and lines are in good condition before applying pressure to the system.
- ▲ Use a piece of paper or cardboard, NOT BODY PARTS, to check for suspected leaks.
- ▲ Wear protective gloves and safety glasses or goggles when working with hydraulic systems.
- ▲ **DO NOT DELAY.** If an accident occurs, see a doctor familiar with this type of injury immediately. Any fluid injected into the skin or eyes must be treated within a few hours or gangrene may result.



### Keep Riders Off Machinery

- ▲ Never carry riders or use machinery as a personlift.
- ▲ Riders obstruct operator's view.
- ▲ Riders could be struck by foreign objects or thrown from the machine.
- ▲ Never allow children to operate equipment.



### Tire Safety

- ▲ Tire changing can be dangerous and should be performed by trained personnel using the correct tools and equipment.
- ▲ When inflating tires, use a clip-on chuck and extension hose long enough to allow you to stand to one side and NOT in front of or over the tire assembly. Use a safety cage if available.
- ▲ When removing and installing wheels, use wheel handling equipment adequate for the weight involved.



### Handle Chemicals Properly

- ▲ Protective clothing should be worn.
- ▲ Handle all chemicals with care.
- ▲ Follow instructions on container label.
- ▲ Agricultural chemicals can be dangerous. Improper use can seriously injure persons, animals, plants, soil, and property.
- ▲ Inhaling smoke from any type of chemical fire is a serious health hazard.
- ▲ Store or dispose of unused chemicals as specified by the chemical manufacturer.



## Important Safety Information

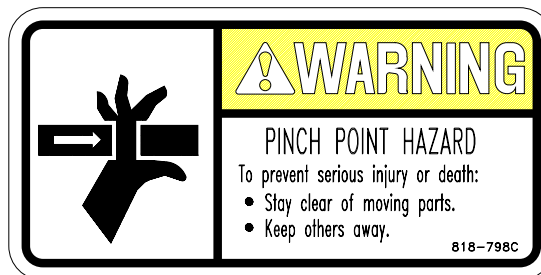
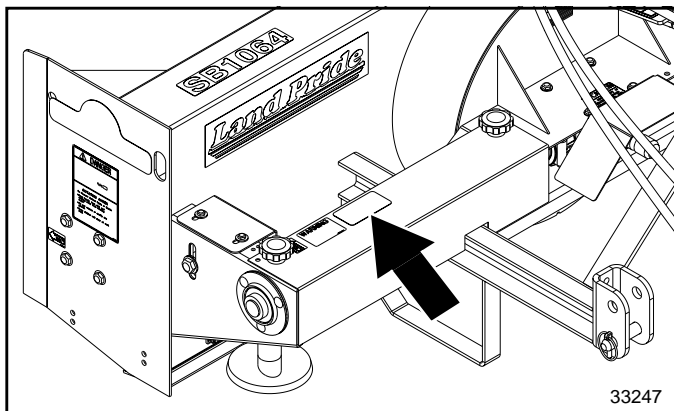
### Safety Labels

Your Snow Blower comes equipped with all safety labels in place. They were designed to help you safely operate your implement. Read and follow their directions.

1. Keep all safety labels clean and legible.
2. Refer to this section for proper label placement. Replace all damaged or missing labels. Order new labels from your nearest Land Pride dealer. To find your nearest dealer, visit our dealer locator at [www.landpride.com](http://www.landpride.com).
3. Some new equipment installed during repair requires safety labels to be affixed to the replaced component as

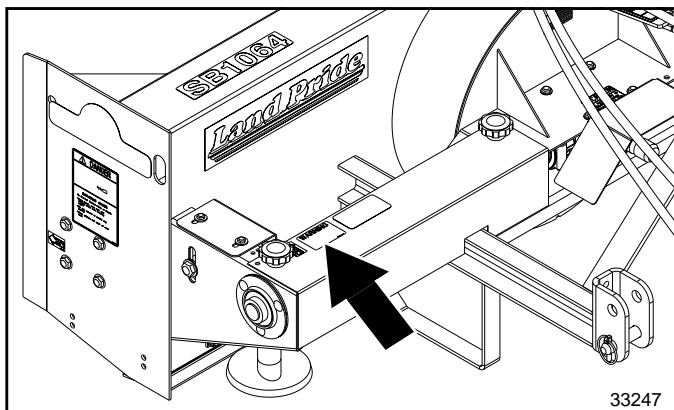
specified by Land Pride. When ordering new components make sure the correct safety labels are included in the request.

4. Refer to this section for proper label placement. To install new labels:
  - a. Clean the area the label is to be placed.
  - b. Spray soapy water on the surface where the label is to be placed.
  - c. Peel backing from label. Press firmly onto the surface.
  - d. Squeeze out air bubbles with the edge of a credit card or with a similar type straight edge.



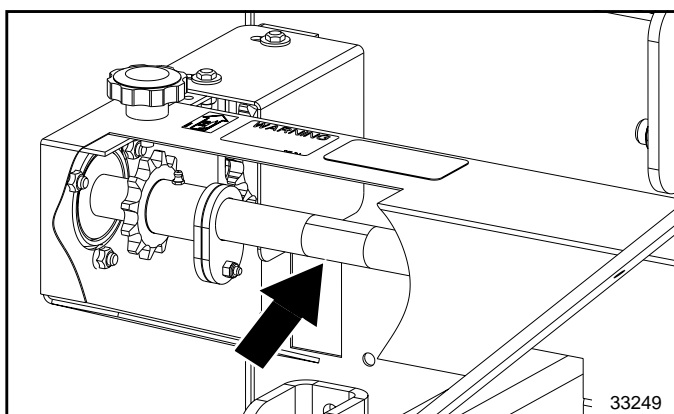
#### 818-798C

Warning: Pinch Point Hazard



#### 818-205C

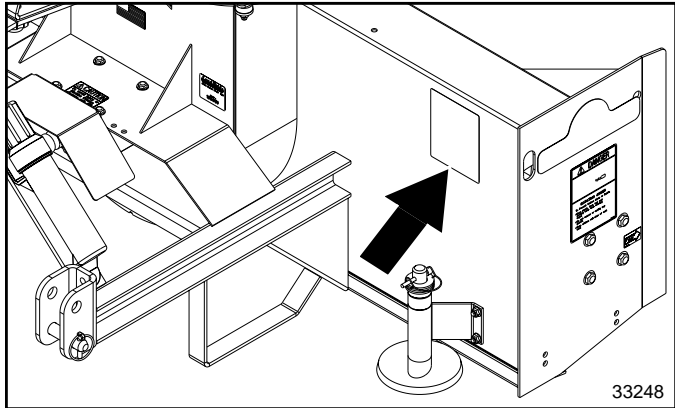
Warning: Moving Parts Hazard



#### 818-522C

Danger: Moving Parts Hazard

Important Safety Information



**818-858C**

Warning: To Prevent Serious Injury or Death

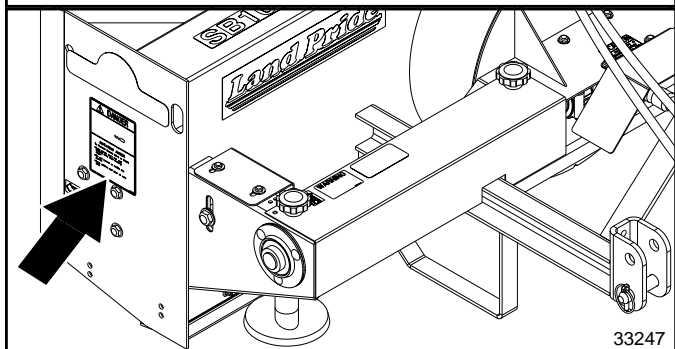
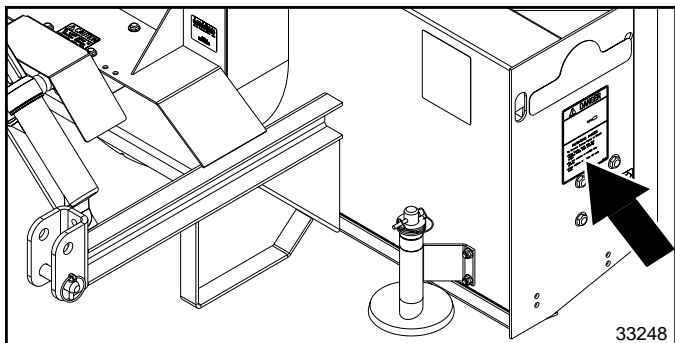
WARNING

To prevent serious injury or death:

- \* Read and understand Operator's Manual before using. Review annually.
- \* Do not permit riders on the tractor, skid steer or implement. Never carry children on tractor/skid steer seat.
- \* Do not allow children to operate implement.
- \* Operate only with guards installed and in good condition.
- \* Keep away from moving parts.
- \* Operate only with tractor or skid steer equipped with ROPS and seatbelts.
- \* Before operating, clear debris from working area.
- \* Do not operate in the raised position.
- \* Stop engine, set brake and wait for all moving parts to stop before dismounting.
- \* Support implement securely before working beneath unit.
- \* Transport with clean reflectors, SMV and working lights as required by federal, state, and local laws.
- \* Stand clear when implement is in operation.

Si no lee ingles, pida ayuda a alguien que si lo lea para que le traduzca las medidas de seguridad.

818-858C REV.C



DANGER

ROTATING AUGER

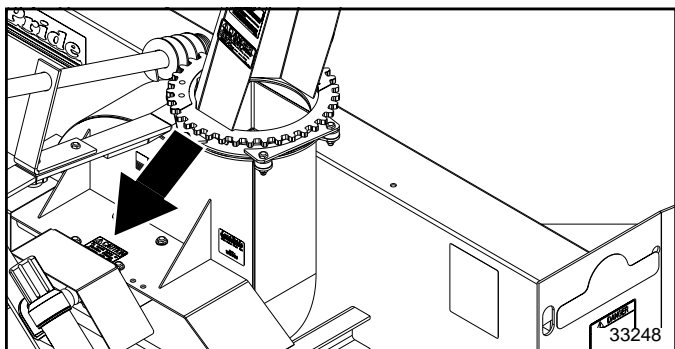
To prevent serious injury or death:

- Keep hands, feet, hair and clothing away from rotating auger.
- Do not remove or modify any guards.
- Keep children well clear of work area.

818-634C

**818-634C**

Danger: Rotating Auger



CAUTION

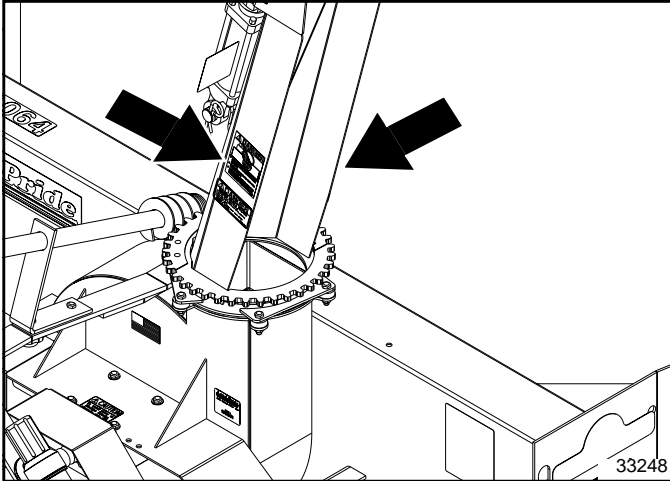
To avoid Injury or Machine Damage:

- \*Operate only with 540 rpm PTO

818-130C Rev. B

**818-130C**

Caution: To avoid Injury or Machine Damage



**! DANGER**

**848-840C**

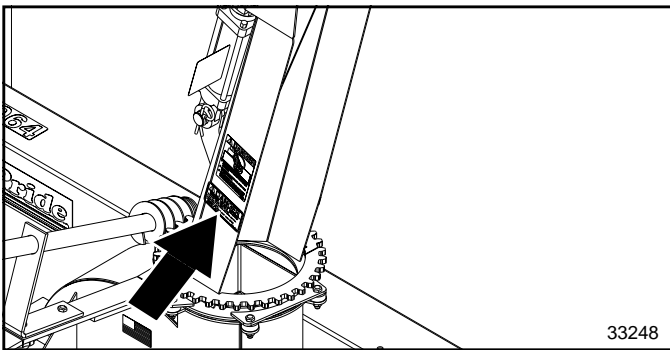
Danger: Hands in Chute

2-Places: On both sides of chute

Available after Oct. 1, 2011

- NEVER PUT HANDS IN CHUTE. CONTACT WITH ROTATING PARTS CAN AMPUTATE FINGERS AND HANDS.
- DO NOT UNLOG DISCHARGE CHUTE WHILE ENGINE IS RUNNING.
- SHUT OFF ENGINE AND REMAIN CLEAR OF THE MACHINE UNTIL ALL MOVING PARTS COME TO A COMPLETE STOP BEFORE UNLOGGING.

848-840C



**! DANGER**

**THROWN OBJECT HAZARD**

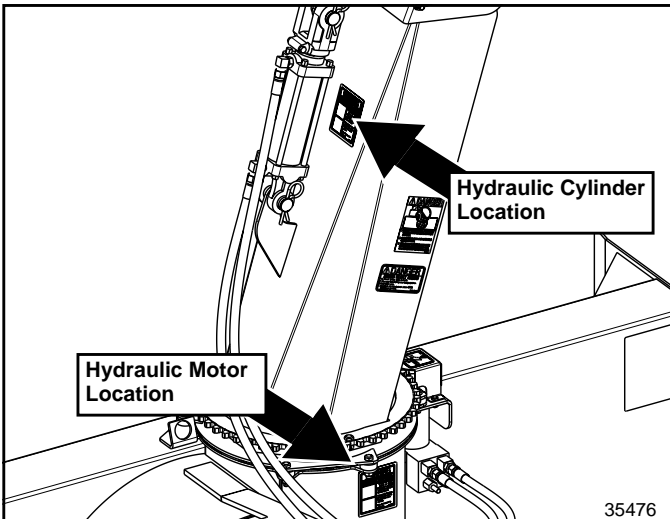
To prevent serious injury or death from thrown objects or knife contact:

- Stay away from discharge area during operation.
- Keep others away.
- Disconnect and lockout power source BEFORE adjusting or servicing.

818-132C Rev. D

### 818-132C

Danger: Thrown Object Hazard



**WARNING**

**HIGH PRESSURE FLUID HAZARD**

To prevent serious injury or death:

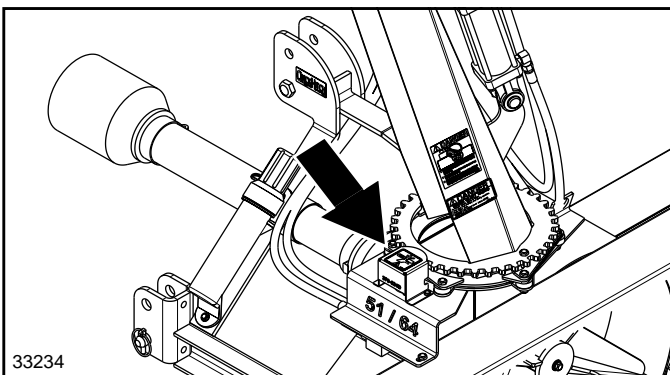
- Relieve pressure on hydraulic system before servicing or disconnecting hoses.
- Wear proper hand and eye protection when searching for leaks. Use wood or cardboard.
- Keep all components in good repair.

848-747C

### 848-747C

Warning: High Pressure Fluid Hazard

Used only with hydraulic motor and hydraulic cylinders.



**! WARNING**

**PINCH POINT HAZARD**

858-148C

### 858-148C

Warning: Pinch Point Hazard



## Introduction

Land Pride welcomes you to the growing family of new product owners.

This Snow Blower has been designed with care and built by skilled workers using quality materials. Proper assembly, maintenance, and safe operating practices will help you get years of satisfactory use from this machine.

## Application

Land Pride offers the SB10, SB15, and SB25 Series of residential Snow Blowers ranging from 51" up to 84" in width. They are 3-point rear mounted units for attaching to tractors ranging from 30 to 105 HP with Cat. I or Cat. II hitches and are Quick-Hitch adaptable. These Snow Blowers are primarily designed to remove snow from driveways, parking lots, and sidewalks in general residential areas. Optional front cutting edge and inner or outer depth shoes can be purchased with all models to increase the life of the units.

See “**Specifications & Capacities**” on page 35 and “**Features & Benefits**” on page 37 for additional information and performance enhancing options.

## Using This Manual

- This Operator’s Manual is designed to help familiarize you with safety, assembly, operation, adjustments, troubleshooting, and maintenance. Read this manual and follow the recommendations to help ensure safe and efficient operation.
- The information contained within this manual was current at the time of printing. Some parts may change slightly to assure you of the best performance.
- To order a new Operator’s or Parts Manual, contact your authorized dealer. Manuals can also be downloaded, free-of-charge, from our website at [www.landpride.com](http://www.landpride.com).

## Terminology

**See Figure 1:** “Right” or “Left” as used in this manual is determined by facing in the direction the machine will operate while in use unless otherwise stated.

## Definitions

**IMPORTANT:** A special point of information related to the following topic. Land Pride’s intention is this information must be read & noted before continuing.

**NOTE:** A special point of information that the operator should be aware of before continuing.

## Owner Assistance

The Online Warranty Registration should be completed by the dealer at the time of purchase. This information is necessary to provide you with quality customer service.

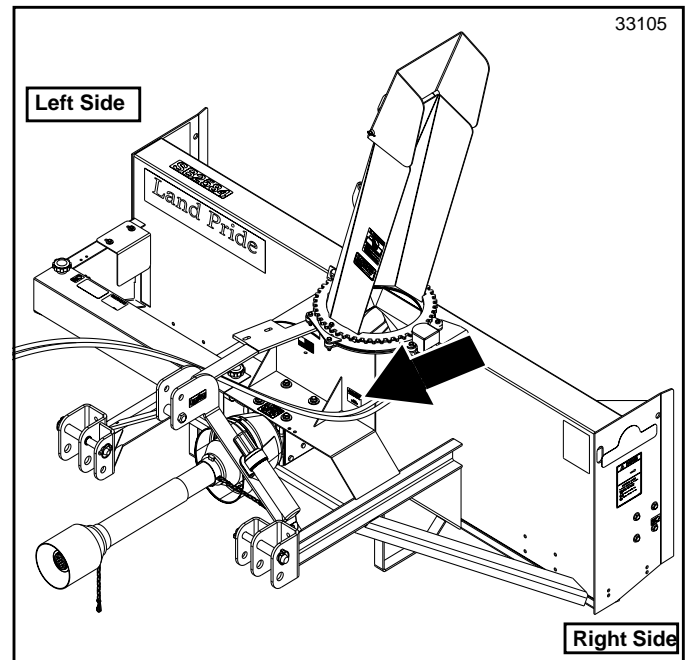
The parts on your Snow Blower have been specially designed by Land Pride and should only be replaced with genuine Land Pride parts. Contact a Land Pride dealer if customer service or repair parts are required. Your Land

Pride dealer has trained personnel, repair parts, and equipment needed to service the implement.

## Serial Number

Model No. \_\_\_\_\_ Serial No. \_\_\_\_\_

For quick reference and prompt service, record model number and serial number in the spaces provided above and again on Warranty page 39. Always provide model and serial number when ordering parts and in all correspondences with your Land Pride dealer. Refer to Figure 1 for location of your serial number plate.



**Serial Number Plate Location  
Figure 1**

## Further Assistance

Your dealer wants you to be satisfied with your new Snow Blower. If for any reason you do not understand any part of this manual or are not satisfied with the service received, the following actions are suggested:

1. Discuss the matter with your dealership service manager making sure that person is aware of any problems you may have and has had the opportunity to assist you.
2. If you are still not satisfied, seek out the owner or general manager of the dealership, explain the problem, and request assistance.
3. For further assistance write to:

**Land Pride Service Department**  
**1525 East North Street**  
 P.O. Box 5060  
 Salina, Ks. 67402-5060

E-mail address  
[lp servicedept@landpride.com](mailto:lp servicedept@landpride.com)

## Section 1: Standard Assembly & Set-up

### Tractor Requirements

Tractor horsepower and hitch category should be within the range noted below. Tractors outside the horsepower range must not be used.

#### Tractor Horsepower Rating

SB10 Series	.....	18 to 32 HP
SB15 Series	.....	30-59 HP
SB25 Series	.....	43-105 HP

#### Hitch Type:

SB10 Series	.....	3-Point Cat. I
SB15 Series	.....	3-Point Cat. I
SB25 Series	.....	3-Point Cat. I & II

PTO Speed.....540 RPM

#### Hydraulic Quick Disconnect Outlets (Optional)

Chute Rotational Adjustment	.....	Duplex Outlet
Chute Tilt Adjustment	.....	Duplex Outlet

Tractor Weight ..... See Warning Below

### WARNING

Ballast weights may be required to maintain steering control. Refer to your tractor's operator's manual to determine proper ballast requirements.

### Torque Requirements

Refer to "Torque Values Chart" on page 38 to determine correct torque values for common bolts. See "Additional Torque Values" at bottom of chart for exceptions to standard torque values.

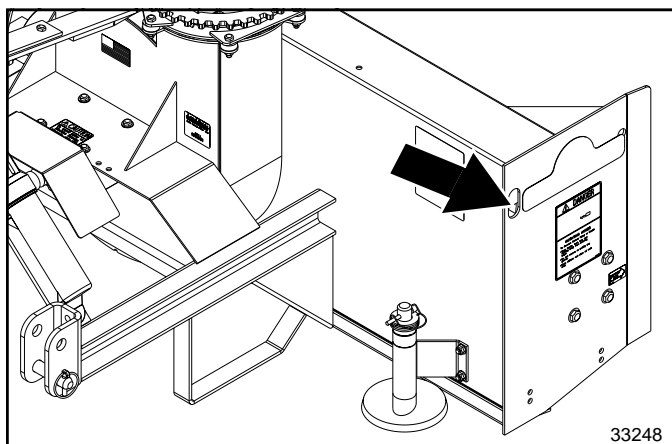
### Dealer Set-up Instructions

When included, it is simpler to assemble the optional outer skid shoes or outer wear bars before removing the shipping crate. See "Skid Shoes, Outer" or "Wear Bars, Outer" on page 13 for detailed installation instructions.

### Loading & Unloading

Refer to Figure 1-1:

There are two lifting holes (one on each end panel). These lift holes are provided for attaching a lift chain to the Snow Blower during loading and unloading.

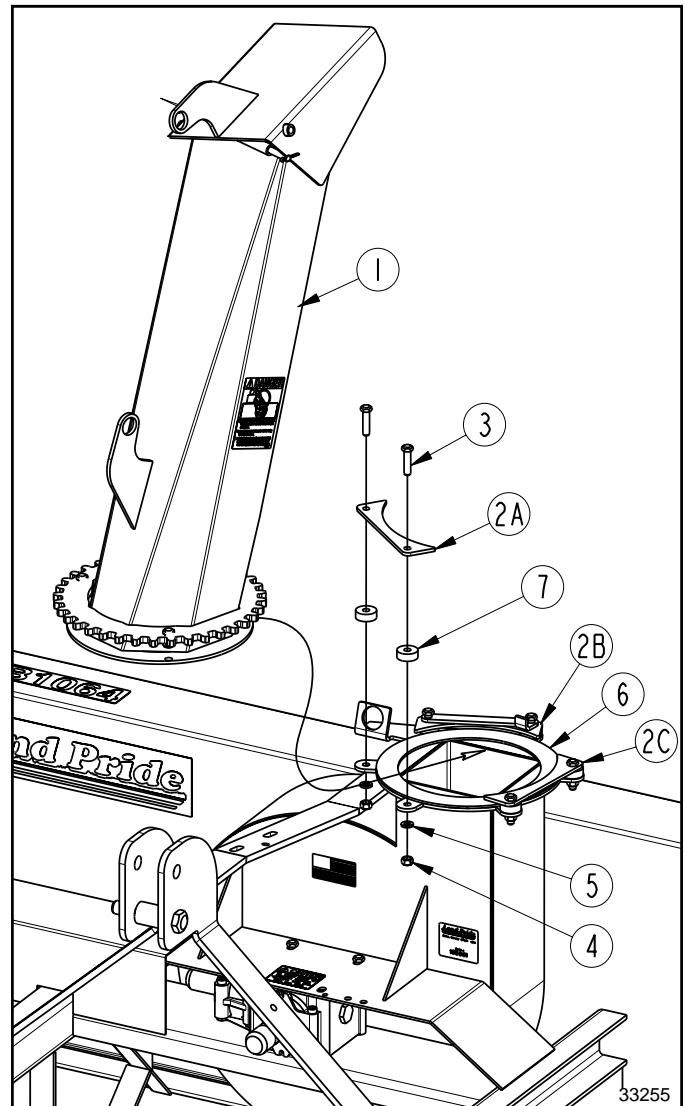


**Lift Points**  
Figure 1-1

### Chute Assembly

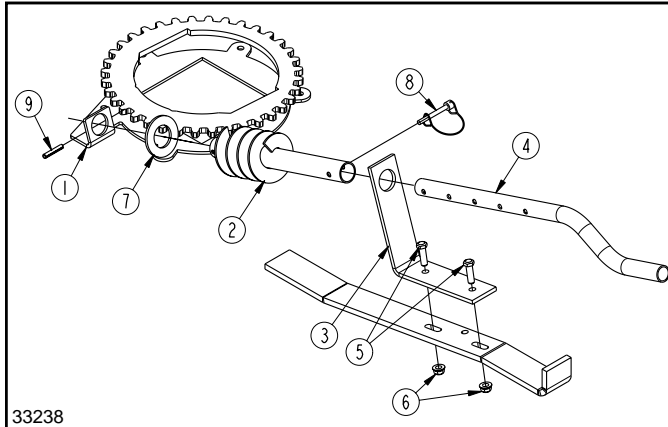
Refer to Figure 1-2:

1. Remove bearing strap (#2A) from Snow Blower housing. Keep cap screws (#3), bearing strap (#2A), chute bearings (#7), lock washers (#5), and hex nuts (#4) for reattachment of discharge chute (#1).
2. Position discharge chute (#1) so that it is facing straight back as shown.
3. Keep chute facing straight back. Slide base of discharge chute (#1) over UHMW chute bearing ring (#6) until base of chute is fully under the other two remaining bearing straps (#2B & 2C).
4. Reattach bearing strap (#2A) to Snow Blower housing by inserting existing 3/8"-16 x 1 1/2" cap screws (#3) through bearing strap (#2A), chute bearings (#7), and Snow Blower housing flange.
5. Secure bearing strap with existing lock washers (#5) and hex nuts (#4). Tighten nuts to the correct torque.



**Chute Assembly**  
Figure 1-2

## Section 2: Optional Assembly &amp; Set-up



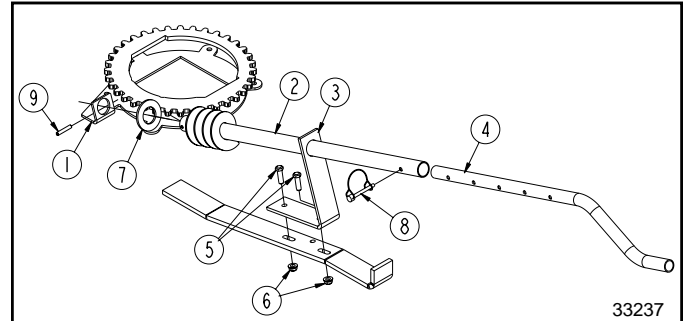
SB1051 Chute Rotation Powered By Manual Drive  
Figure 2-1

## Chute Rotation, Manual For SB1051 Model

The following instructions are for Snow Blower model number SB1051 only.

### Refer to Figure 2-1:

1. Slide 1 1/4" SAE flat washer (#7) onto spiral end of chute adjustment tube (#2).
2. Insert spiral end of chute adjustment tube (#2) through hole in mounting bracket (#1) as shown.
3. Insert opposite end of chute adjustment tube (#2) into hole in chute adjustment mount (#3).
4. Attach adjustment mount (#3) to Snow Blower mainframe as shown with two 3/8"-16 x 1 1/4" GR5 cap screws (#5) and hex flange lock nuts (#6). Tighten lock nut to the correct torque.
5. Drive 1/4" x 1 1/2" roll pin (#9) through holes in spiral end of chute adjustment tube (#2) until both ends of the roll pin extends equally through both holes in adjustment tube.
6. Insert rotation handle (#4) into chute adjustment tube (#2) and secure with wire retaining pin (#8). Make certain retaining wire is caught over end of pin to keep pin from falling out.



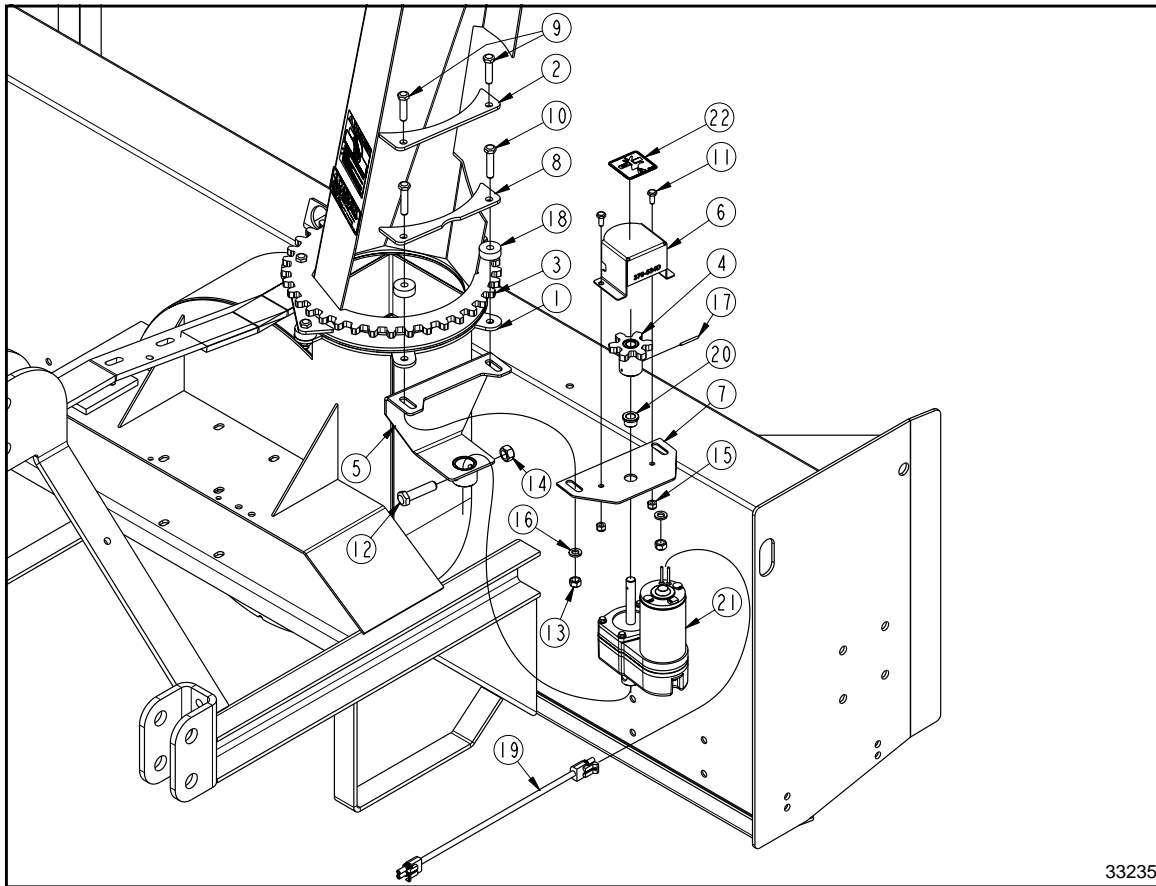
SB1064, SB1574, & SB2584  
Chute Rotation Powered By Manual Drive  
Figure 2-2

## Chute Rotation, Manual For SB1064, SB1574, & SB2584 Models

The following instructions are for Snow Blower model numbers SB1064, SB1574, and SB2584 only.

### Refer to Figure 2-2:

1. Slide 1 1/4" SAE flat washer (#7) onto spiral end of chute adjustment tube (#2).
2. Insert spiral end of chute adjustment tube (#2) through hole in mounting bracket (#1) as shown.
3. Insert opposite end of chute adjustment tube (#2) into hole in chute adjustment mount (#3).
4. Attach adjustment mount (#3) to Snow Blower mainframe as shown with two 3/8"-16 x 1 1/4" GR5 cap screws (#5) and hex flange lock nuts (#6). Tighten lock nut to the correct torque.
5. Drive 1/4" x 1 1/2" roll pin (#9) through holes in spiral end of chute adjustment tube (#2) until both ends of the roll pin extends equally through both holes in adjustment tube.
6. Insert rotation handle (#4) into chute adjustment tube (#2) and secure with wire retaining pin (#8). Make certain retaining wire is caught over end of pin to keep pin from falling out.



**Chute Rotation Powered By Electric Motor**  
**Figure 2-3**

### Chute Rotation, Electric Motor

Refer to Figure 2-3:

**NOTE:** Existing bearing strap (#2) is replaced with new bearing strap (#8) and bolts (#9) are replaced with new bolts (#10).

1. Rotate discharge chute clockwise until chute is against chute stop and can not be rotated further.
2. Remove and discard bolts (#9) and bearing strap (#2).
3. Press Oilite bushing (#20) into hole in electric bearing mount (#7).
4. Insert electric bearing mount (#7) over output shaft of electric motor (#21).
5. Insert base of electric motor (#21) into hub of electric motor mount (#5). Make sure bearing mount (#7) is beneath motor mount (#5).
6. Secure base of electric motor (#21) to hub of electric motor mount (#5) with 1/2"-13 x 2" GR5 bolt (#12) and hex lock nut (#14). Tighten lock nut to the correct torque.
7. Attach electric motor mount (#5) and electric bearing mount (#7) to underside of blower chute ring (#1) with new 3/8"-16 x 1 3/4" GR5 bolts (#10), new bearing strap (#8), chute bearings (#18), lock washers (#16), and nuts (#13). Do not tighten nuts at this time.
8. Attach drive gear (#4) to electric motor (#21) with 1/8" x 1 1/4" long roll pin (#17). Drive roll pin fully into hub of drive gear (#4).
9. Adjust electric motor mount (#5) and electric bearing mount (#7) until drive sprocket (#4) has minimal clearance between drive sprocket (#4) and chute driven sprocket (#3).
10. Hold electric motor mount (#5) and electric bearing mount (#7) in the adjusted position and tighten 3/8"-16 GR5 bolts (#10) to the correct torque.
11. Attach gear cover (#6) to electric bearing mount (#7) with 1/4"-20 x 5/8" GR5 bolts (#11) and hex nylock nuts (#15). Tighten nylock nuts to the correct torque.
12. Attach pinch point picture decal (#22) to gear cover (#6). See "**Safety Labels**" on page 4 for installation instructions.
13. Attach electric harness (#19) to electric motor (#21).
14. Coil wire harness around Snow Blower mainframe for safe keeping.
15. Instructions for hooking-up wire harness to tractor is covered in "**Section 3: Tractor Hook-up & Unhook**" beginning on page 14.

## Section 2: Optional Assembly & Set-up

### Chute Rotation, Hydraulic Motor

Refer to Figure 2-4:

**IMPORTANT:** Adjustment screws on hydraulic motor are preset at the factory. Do not change factory settings. Changing factory settings can cause structural damage to the Snow Blower.

1. Rotate discharge chute clockwise until chute is against chute stop and can not be rotated further.
2. Remove bolts (#9), bearing strap (#2), chute bearings (#22), lock washers (#18), and nuts (#14).

**NOTE:** Existing bearing strap (#2) is reused with SB10 Series Snow Blowers. The SB15 and SB25 Series Snow Blowers uses new bearing strap (#7).

3. Attach hydraulic mounting plate (#8) as follows:

#### SB1051 & SB1064 Models

Attach mounting plate (#8) stamped 51/64 to blower chute ring (#1) with bolts (#9), existing strap (#2), chute bearings (#22), lock washers (#18), and hex nuts (#14). Do not tighten nuts at this time.

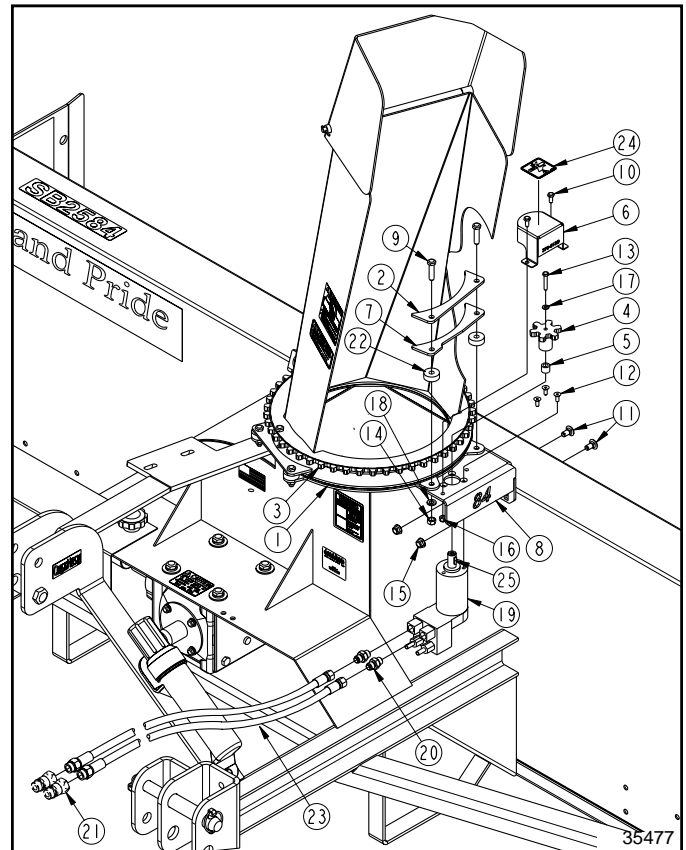
#### SB1574 Model

Attach mounting plate (#8) stamped 74 to blower chute ring (#1) with bolts (#9), new strap (#7), chute bearings (#22), lock washers (#18), and hex nuts (#14). Do not tighten nuts at this time.

#### SB2584 Model

Attach mounting plate stamped 84 (#8) to blower chute ring (#1) with bolts (#9), new strap (#7), chute bearings (#22), lock washers (#18), and hex nuts (#14). Do not tighten nuts at this time.

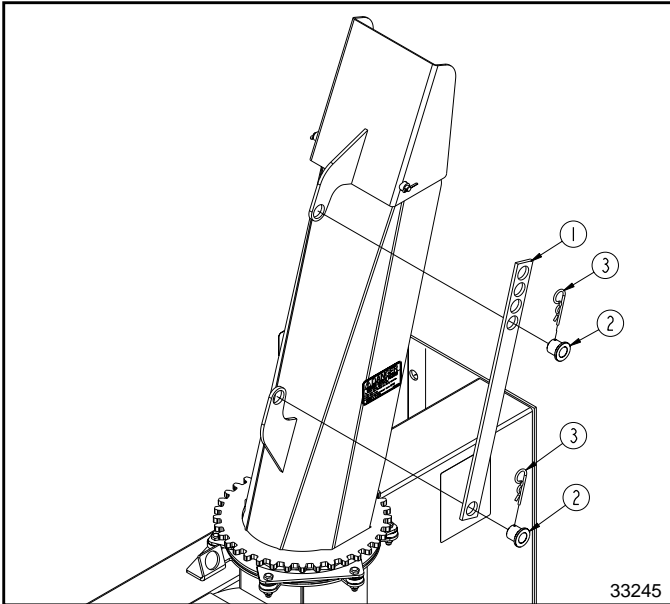
4. Continue to attach hydraulic mounting plate (#8) to the Snow Blower with 3/8"-16 x 3/4" GR5 carriage bolts (#11) and hex flange lock nuts (#15). Do not tighten lock nut at this time.
5. Attach hydraulic motor (#19) to hydraulic mounting plate (#8) with hex socket countersunk bolts (#12). Tighten countersunk bolts.
6. Install gear spacer (#5) over output shaft of hydraulic motor (#19).
7. Attach drive gear (#4) and key (#25) to output shaft of hydraulic motor (#19) with M6 x 1 x 35 GR8.8 bolt (#13) and spring lock washer (#17). Tighten M6 bolt to the correct torque.
8. Adjust hydraulic mounting plate (#8) until drive sprocket (#4) has minimal clearance between drive sprocket (#4) and chute driven sprocket (#3).
9. Hold hydraulic mounting plate (#8) in its adjusted position and tighten 3/8"-16 GR5 bolts (#9 & #11) to the correct torque.



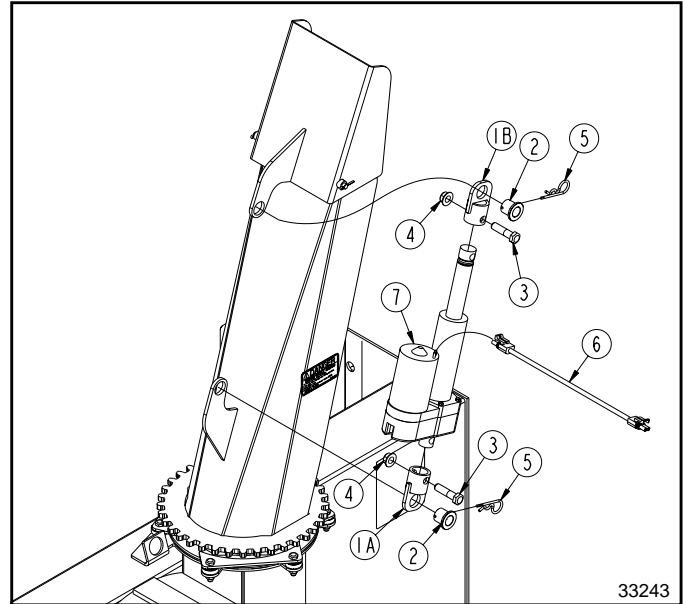
**Chute Rotation Powered By Hydraulic Motor  
Figure 2-4**

10. Install gear cover (#6) as follows:
  - SB1051 & SB1064 Models**  
Attach gear cover (#6) stamped 370-534D to hydraulic mounting plate (#8) with 1/4"-20 x 5/8" GR5 bolts (#10) and hex nylock nuts (#16). Tighten nylock nuts to the correct torque.
  - SB1574 & SB2584 Models**  
Attach gear cover (#6) stamped 370-613D to hydraulic mounting plate (#8) with 1/4"-20 x 5/8" GR5 bolts (#10) and hex nylock nuts (#16). Tighten nylock nuts to the correct torque.
11. Screw 9/16" MORB x 9/16" MJIC adapters (#20) to ports in hydraulic motor (#19) until tight.
12. Screw 3/8" x 60" long hydraulic hoses (#23) to adapters (#20) until tight.
13. Screw quick disconnect couplings (#21) (couplings furnished by customer) to other end of hydraulic hoses (#23) until tight.
14. Attach High Pressure Fluid Decal 848-747C (#24) in the location shown. See "**Safety Labels**" on page 4 for installation instructions.
15. Coil Hydraulic hoses (#23) around Snow Blower mainframe for safe keeping.

Section 2: Optional Assembly & Set-up



Chute Tilt Powered By Manual Drive  
Figure 2-5



Chute Tilt Powered By Electric Actuator  
Figure 2-6

**Chute Tilt, Manual**

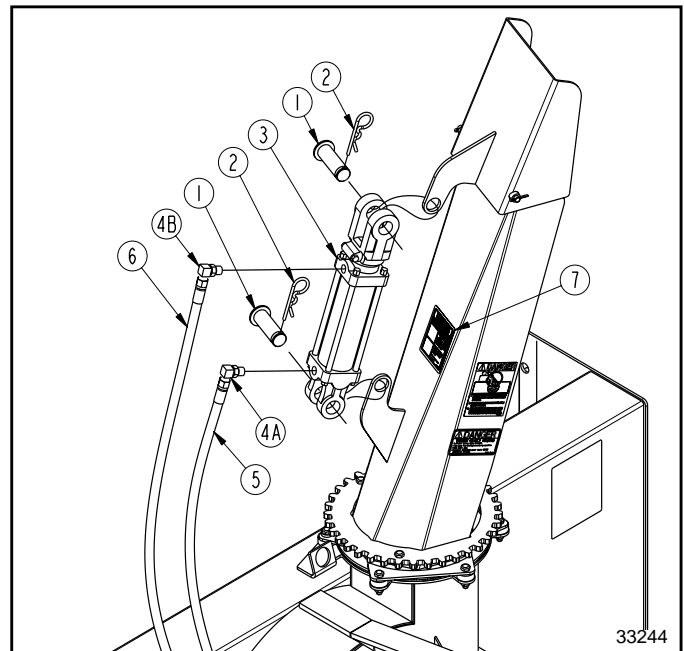
Refer to Figure 2-5:

1. Attach lower single hole in adjustment tilt arm (#1) to lower chute lug with adjustment pin (#2). Secure adjust pin with hairpin cotter (#3).
2. Attach one of the multiple upper holes to the upper tilt chute lug with adjustment pin (#2). Secure adjustment pin with hairpin cotter (#3).

**Chute Tilt, Electric Actuated**

Refer to Figure 2-6:

1. Attach actuator rod ends (#1A & #1B) to both ends of actuator (#7) with 1/2"-13 x 1 3/4" GR5 cap screws (#3) and hex flange lock nuts (#4). Tighten lock nuts to the correct torque.
2. Attach lower rod end (#1A) to lower chute lug with adjustment pin (#2). Secure adjust pin with hairpin cotter (#5).
3. Attach upper rod end (#1B) to tilt chute lug with adjustment pin (#2). Secure adjust pin with hairpin cotter (#5).



Chute Tilt Powered By Hydraulic Cylinder  
Figure 2-7

**Chute Tilt, Hydraulic Cylinder**

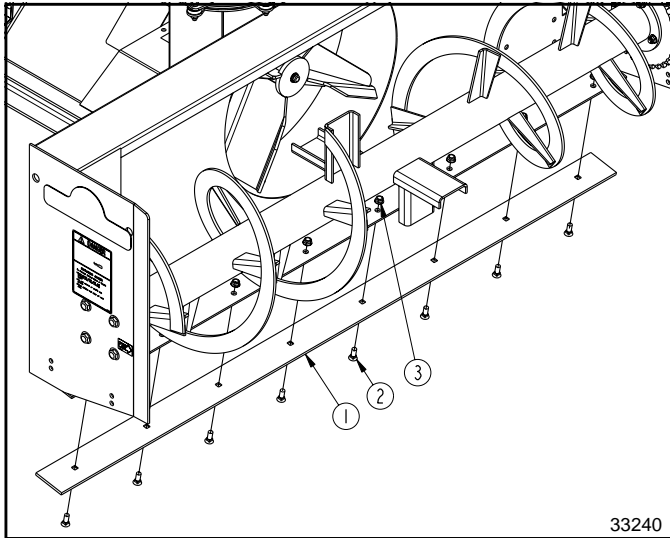
Refer to Figure 2-7:

1. Screw O-ring end of 9/16" elbows (#4A & #4B) into hydraulic ports of cylinder (#3). Do not tighten elbows at this time.
2. Screw 1/4" x 80" long hydraulic hose (#5) to elbow (#4A) until tight.
3. Screw 1/4" x 85" long hydraulic hose (#6) to elbow (#4B) until tight.
4. Attach base end of hydraulic cylinder (#3) to lower chute lug with 1" x 2 3/4" clevis pin (#1). Secure clevis pin with hairpin cotter (#2).
5. Attach rod end of hydraulic cylinder (#3) to tilt chute lug with 1" x 2 3/4" clevis pin (#1). Secure clevis pin with hairpin cotter (#2).
6. Tighten elbows (#4A & #4B) to hydraulic cylinder (#3) until tight.
7. Screw quick disconnect couplings (couplings furnished by customer) to hydraulic hoses (#5 & #6) until tight.
8. Attach High Pressure Fluid Decal 848-747C (#7) in the location shown. See "Safety Labels" on page 4 for installation instructions.

### Wear Bar, Lower

Refer to Figure 2-8:

1. Attach wear bar (#1) to bottom of Snow Blower frame with 3/8"-16 x 1" GR5 plow bolt (#2) and hex flange lock nut (#3).
2. Tighten lock nut to the correct torque.

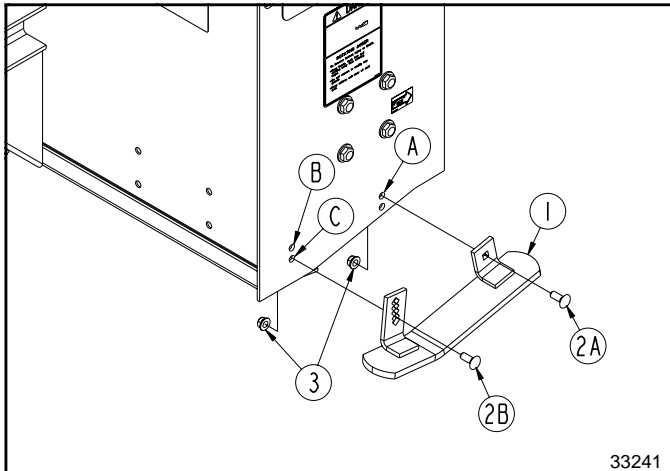


Lower Wear Bar Assembly  
Figure 2-8

### Skid Shoes, Outer

Refer to Figure 2-9:

1. Attach right-hand skid shoe (#1) to upper hole "A" with 3/8"-16 x 1" GR5 carriage bolt (#2A) and hex flange lock nut (#3).
2. Attach right-hand skid shoe (#1) to hole "B" or "C" with 3/8"-16 x 1" GR5 carriage bolt (#2B) and hex flange lock nut (#3).
3. Tighten lock nuts to the correct torque.
4. Repeat steps 1 and 3 above for the left-hand skid shoe.

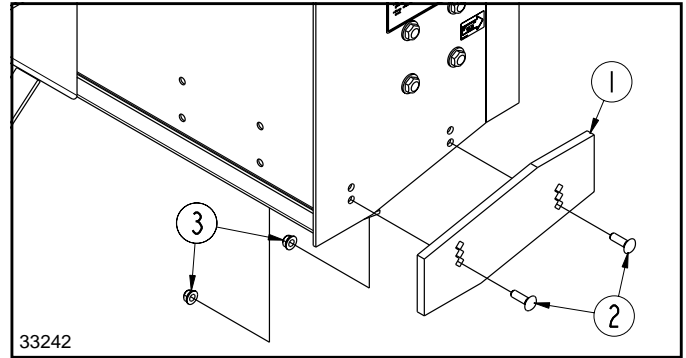


Outer Skid Shoe Assembly  
Figure 2-9

### Wear Bars, Outer

Refer to Figure 2-10:

1. Attach adjustable wear bars (#1) to either the upper or to the lower holes in the side panels with 3/8"-16 x 1 1/4" GR5 carriage bolt (#2) and hex flange lock nut (#3).
2. Tighten lock nuts to the correct torque.

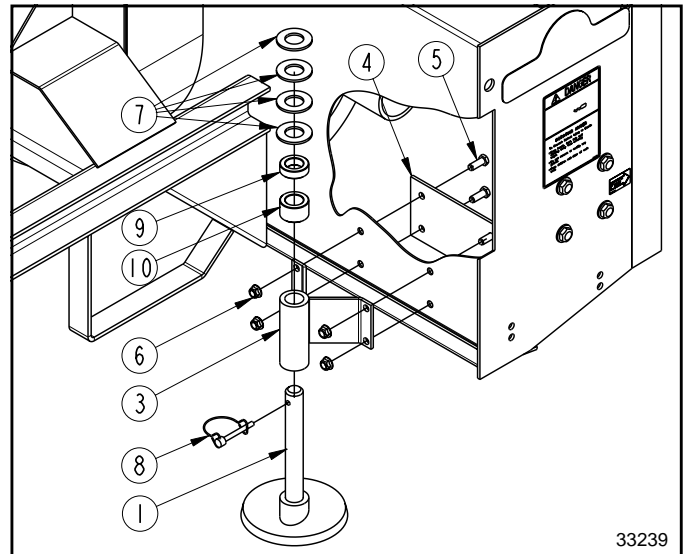


Outer Wear Bar Assembly  
Figure 2-10

### Skid Shoes, Inner

Refer to Figure 2-11:

1. Attach skid shoe mounts (#3) to both sides of Snow Blower frame with backing plates (#4), 3/8"-16 x 1" GR5 cap screws (#5), and hex flange lock nuts (#6). Tighten lock nuts to the correct torque.
2. Insert skid shoes (#1) into skid shoe mounts (#3).
3. Install 1" spacer (#10), 1/2" spacer (#9), and four flat washers (#7) over shaft of each skid shoe.
4. Secure skid shoes (#1) with 1/4" x 1 3/4" wire retaining pins (#8).
5. Make certain wire retainers are caught over end of pins to keep skid shoes from falling out.



Inner Skid Shoe Assembly  
Figure 2-11

## Section 3: Tractor Hook-up & Unhook

### Snow Blower Hook-up

Refer to Figure 3-1:



#### DANGER

Tractor hook-up to equipment is dangerous and can result in serious injury or death. Do not allow anyone to stand between tractor and Snow Blower while backing-up to implement. Do not operate hydraulic 3-point lift controls while someone is directly behind tractor or near the Snow Blower.

**NOTE:** Land Pride's Quick-Hitch can be attached to the tractor to provide quick and easy 3-point hook-up and detachment. See your nearest Land Pride dealer to purchase a Quick-Hitch.

**NOTE:** Review "Hitch Pin Locations" on page 19 before hooking tractor to Snow Blower.

A tractor with 3-point Category I hitch is required for SB10 and SB15 Series. The SB25 Series will receive Category I or II 3-point hitch. The lower 3-point arms must be stabilized to prevent side-to-side movement. Most tractors have sway blocks or adjustable chains for this purpose.

1. Bolt, hex flange locknut, and Quick-Hitch bushing are moved to the lower clevis holes as shown when making a 3-point hooking-up. Review "Hitch Pin Locations" on page 19 before hooking-up to tractor.
2. Slowly back tractor to the Snow Blower while using tractor's 3-point hydraulic control lever to align lower 3-point arm hitch holes with clevis hitch pin holes.
3. Engage tractor park brake, shut tractor engine off, and remove key before dismounting from tractor.
4. Attach lower 3-point arms to clevises with hitch pins (#2). Secure hitch pins with linchpins (#6).
5. Connect top center link hitch hole to upper clevis hitch holes with hitch pin and hitch pin keeper. (Hitch pin and keeper are supplied by customer.)

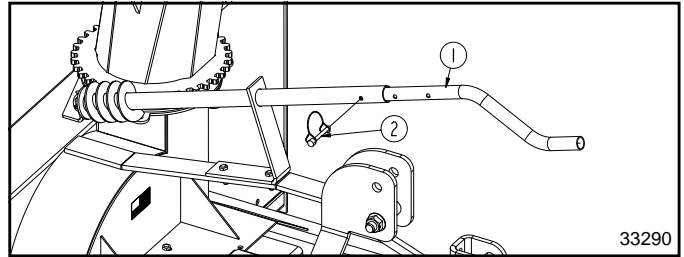
Refer to Figure 3-2:



#### CAUTION

If adjusted too long, the rotational handle for manual chute rotation option can come in contact with tractor or create a pinch point between tractor and Snow Blower causing bodily injury.

6. Remove wire retaining pin (#2) and move rotation handle (#1) in or out as needed to keep rotation handle from making contact with tractor or creating a pinch point between tractor and Snow Blower.
7. Replace wire retaining pin (#2). Make sure wire retainer is caught over end of pin.



Manual Chute Rotation Handle

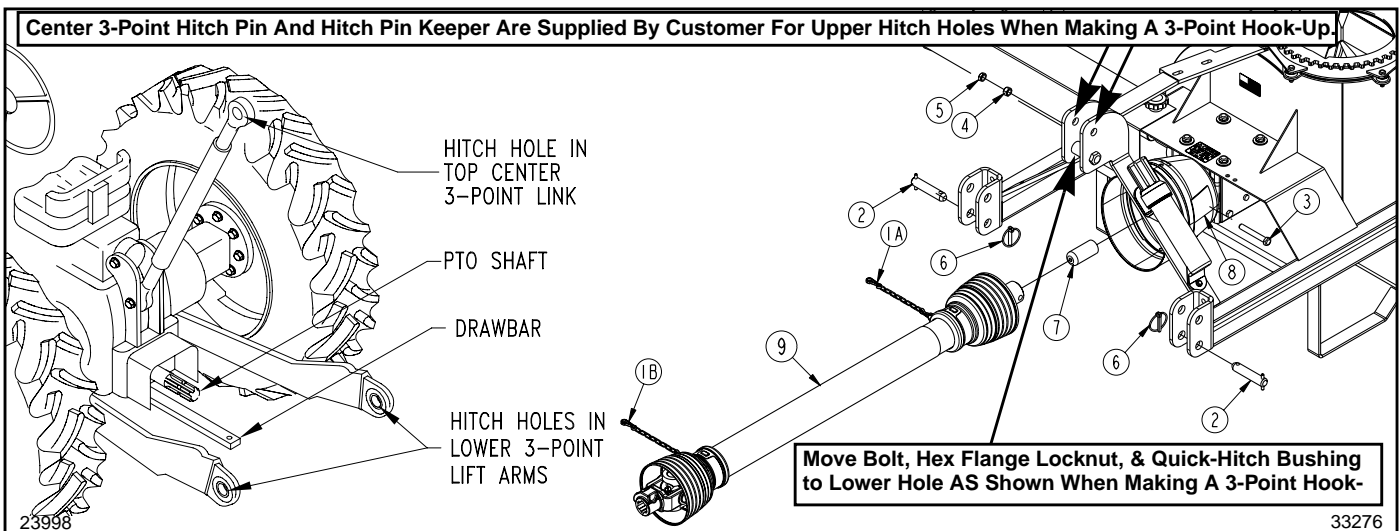
Figure 3-2

8. Return to tractor and slowly and carefully raise and lower Snow Blower to ensure drawbar, tractor tires, and other equipment on the tractor do not come in contact with Snow Blower. If necessary, move or remove tractor drawbar.

### Leveling The Snow Blower

Refer to Figure 3-1:

1. Manually adjust one of the lower lift arms up or down to level the Snow Blower from left to right.
2. Manually adjust length of top-center-link to level the Snow Blower from front to back.



Driveline Installation

Figure 3-1



Section 3: Tractor Hook-up & Unhook

### Driveline Installation

**DANGER**

Do not engage tractor PTO while hooking-up and unhooking driveline or while someone is standing near the driveline. A person's body and/or clothing can become entangled in the driveline resulting in serious injury or death.

**DANGER**

All guards must be installed and in good condition at all times during operation!

**WARNING**

Always disengage PTO, engage parking brake, shut tractor engine off, remove switch key, and wait for PTO to come to a complete stop before dismounting from tractor.

**WARNING**

Some tractors are equipped with multispeed PTO ranges. Be certain your tractor's PTO is set for 540 rpm.

- IMPORTANT:** Do not use a PTO adaptor with a Quick-Hitch. A PTO adapter will increase strain on the tractor's PTO shaft resulting in possible damage to shaft and driveline.
- IMPORTANT:** An additional driveline may be required if Snow Blower is to be used on more than one tractor, especially if a Quick-Hitch is used.
- IMPORTANT:** The driveline must be lubricated before putting it into service. Refer to "Lubrication" on page 34.
- IMPORTANT:** The tractor's PTO shaft and Snow Blower gearbox shaft must be aligned and level with each other during installation of driveline.

Refer to Figure 3-1 on page 14:

1. Park tractor on a level surface. Slowly engage tractor 3-point lift lever to raise Snow Blower until gearbox input shaft is in line and level with tractor PTO shaft.
2. Place gear selector in park, set park brake, shut tractor off, and remove switch key.
3. Support Snow Blower at this height with support jacks or blocks to keep unit from drifting down.
4. Remove rubber protective sleeve (#7) from gearbox input shaft and discard.
5. Unsnap one end of both access doors (#8) and rotate doors open.
6. Slide shearbolt end of driveline (#9) onto gearbox input shaft until hole in driveline yoke aligns with groove in gearbox shaft. Insert 1/2"-13 x 3 1/2" GR2 cap screw (#3) and secure with hex nut (#4) and jam nut (#5). Draw hex nut (#4) up snug (Do not tighten) and then tighten jam nut (#5) against hex nut (#4).

7. Push/pull on driveline yoke to be sure it is securely fastened to the gearbox shaft.
8. Rotate access doors (#8) closed and snap in place.
9. Pull back on driveline yoke collar and push driveline yoke onto the tractor PTO shaft. Release pull collar and continue to push driveline yoke forward until pull collar locks in place.
10. Move driveline yoke back and forth several times to make sure yoke is locked in place. If driveline yoke will not lock in place, skip to "Check Driveline Collapsible Length" on this page.

**IMPORTANT:** Two small safety chains are supplied with the driveline. One must be attached to the inner driveline shield and Snow Blower frame or gearbox cone shield. The other chain must be attached to the outer driveline shield and tractor frame. This will keep driveline shields from rotating while implement is operating.

11. Attach safety chain (#1A) to Snow Blower frame or gearbox cone. Re-latch safety chain to the inner driveline shield.
12. Attach safety chain (#1B) to the tractor frame. Re-latch safety chain to the outer driveline shield.
13. Continue with "Check Driveline Collapsible Length".

### Check Driveline Collapsible Length

**IMPORTANT:** A driveline that is too long can bottom out causing structural damage to the tractor and Snow Blower. Always check driveline collapsed length during initial setup, when connecting to a different tractor, and when alternating between a Quick-Hitch and a standard 3-point hitch. More than one driveline may be required to fit all applications.

1. Make sure driveline is properly installed and level before checking driveline collapsible length. (Refer to "Driveline Installation" instructions on page 15.)

Refer to Figure 3-3 on page 16:

2. With driveline level, measure ("B" dimension) back from universal joint shield to end of outer driveline shield as shown in Figure 3-3. If measurement is less than 1", then shorten driveline using instructions provided below.

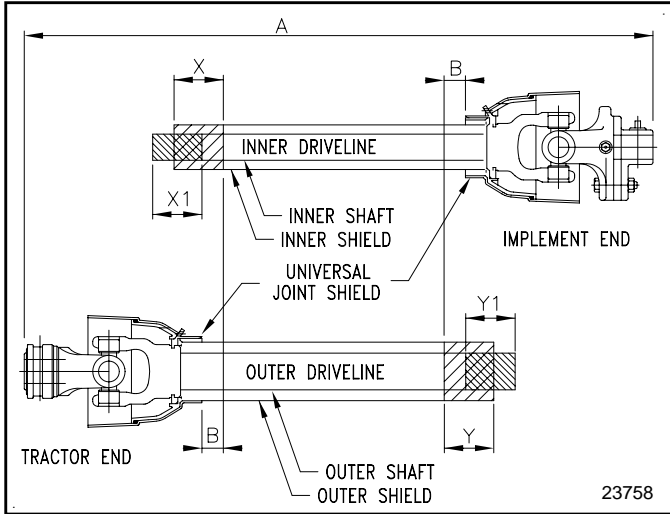
### Shorten Driveline

Refer to Figure 3-3 on page 16:

Be sure to check driveline collapsed length first. If required, shorten driveline.

1. Un-hook driveline and safety chain from tractor PTO shaft. Pull outer and inner drivelines apart.
2. Reattach outer driveline to tractor PTO shaft. Pull on inner and outer driveline yokes to be sure universal joints are properly secured.

Section 3: Tractor Hook-up & Unhook



**Driveline Shortening**  
Figure 3-3

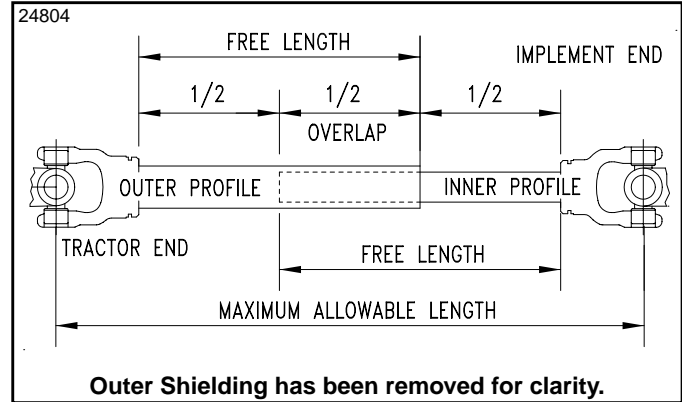
3. Hold inner and outer drivelines parallel to each other:
  - a. Measure 1" ("B" dimension) back from outer driveline universal joint shield and make a mark at this location on the inner driveline shield.
  - b. Measure 1" ("B" dimension) back from the inner driveline universal joint shield and make a mark at this location on the outer driveline shield.
4. Remove driveline from tractor PTO shaft and gearbox shaft.
5. Measure from end of inner shield to scribed mark ("X" dimension). Cut off inner shield at the mark. Cut same amount off the inner shaft ("X1" dimension).
6. Measure from end of outer shield to scribed mark ("Y" dimension). Cut off outer shield at the mark. Cut same amount off the outer shaft ("Y1" dimension).
7. Remove all burrs and cuttings.
8. Continue with "Check Driveline Maximum Length".

**Check Driveline Maximum Length**

Refer to Figure 3-4:

The driveline maximum allowable length must, when fully extended, have a minimum overlap of profile tubes by not less than 1/2 the free length with both inner and outer profile tubes being of equal length.

1. Apply multi-purpose grease to the inside of the outer shaft and reassemble the driveline.
2. Assemble the two driveline profiles together with just 1/2 overlapping of the profile tubes as shown. Once assembled, measure and record maximum allowable length here. \_\_\_\_\_



**Driveline Maximum Extended Length**  
Figure 3-4

3. Continue with "Check Driveline Interference".

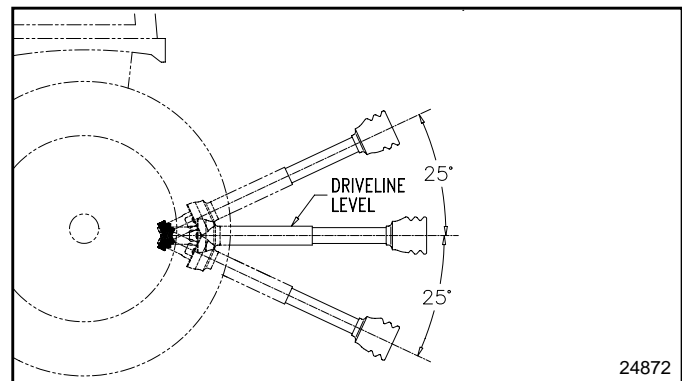
**Check Driveline Interference**

1. Make certain driveline yokes and safety chains are properly attached. See steps 10 -12 on page 15.
2. Start tractor and raise Snow Blower just enough to remove support blocks from under the unit.
3. Slowly engage tractor hydraulic 3-point control lever to lower Snow Blower while checking for sufficient drawbar clearance. Move drawbar ahead, aside, or remove if required.

Refer to Figure 3-5:

**IMPORTANT:** Avoid premature driveline breakdown. A driveline that is operating must not exceed an angle of 25 degrees up or down.

4. With PTO off, raise implement fully up to make the following checks below. If driveline exceeds any of the limits listed, set tractor 3-point lift limiter at a height that will keep the driveline within its lift limits and to avoid premature driveline breakdown.
  - Driveline does not exceed 25° up.
  - Driveline does not exceed maximum allowable length recorded in step 2 under "Check Driveline Maximum Length".



**Maximum PTO Driveline Movement During Operation**  
Figure 3-5



## Section 3: Tractor Hook-up & Unhook

### Unhooking Snow Blower

1. See “**Long Term Storage**” on page 32 before parking Snow Blower for a long period.
2. Park on a level solid surface and lower Snow Blower to ground level or onto support blocks.
3. Engage tractor park brake, shut tractor engine off, and remove switch key. Stay on tractor until PTO has come to a complete stop.

#### 4. Hydraulic Options:

- a. With tractor shut off, move hydraulic control levers back and forth several times to relieve all hydraulic pressure in hydraulic hoses.
- b. Disconnect hydraulic hoses from tractor duplex outlets.
- c. Wrap hydraulic hoses around Snow Blower hitch frame for storage and to keep dirt away of quick disconnect couplings.

#### 5. Electrical Options:

##### **Refer to Figure 3-6 on page 17:**

- a. Disconnect electric motor (chute rotation) wiring harness (#7) from control box (#1). Coil harness up and tie to Snow Blower hitch frame.
  - a. Disconnect electric actuator (chute tilt) wiring harness (#8) from control box (#1). Coil harness up and tie to Snow Blower hitch frame.
  - b. Disconnect black negative (-) wire lead (#11) from power source.
  - c. Disconnect red positive (+) lead (#10) from power source.
  - d. Remove control box (#1) from tractor, wrap wiring harness (#13) up in a coil and tie coils together to keep coils from unwrapping.
  - e. Store wiring harness (#13) and control box (#1) in a dry location.
6. Unhook driveline safety chain from tractor.
  7. Pull back on driveline pull collar and hold while pulling driveline yoke from tractor PTO shaft.
  8. Support collapsed driveline off the ground to keep dirt away from yoke end.
  9. Unhook 3-point hitch from tractor and drive tractor forward several feet.
  10. Reinstall hitch pins and linchpins in Snow Blower hitch for safe keeping.
  11. Collapse driveline by pushing tractor end of driveline towards Snow Blower gearbox.

Section 4: Adjustments

### Hitch Pin Locations

**Refer to**

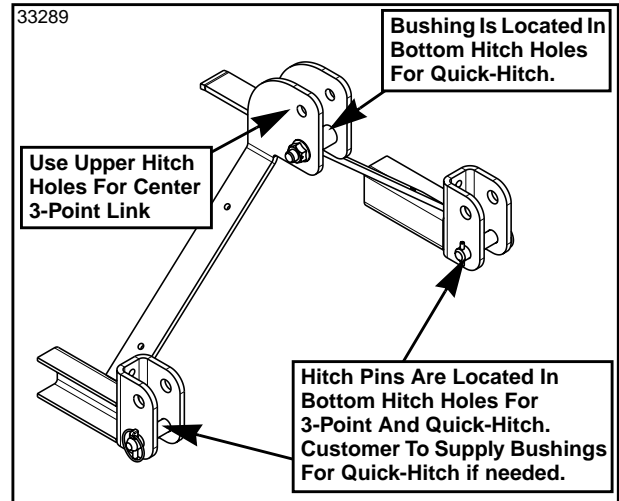
The lower 3-point hitch pins and upper center bolt-on bushing can be arranged in the A-frame hitch three different ways depending on user preference.

#### Standard 3-Point & Quick-Hitch Hook-up

**Refer to Figure 4-1:**

This is the most commonly used arrangement.

1. The lower 3-point hitch pins are located in the bottom clevis holes.
2. Bushings, if need, can be added to the lower 3-point hitch pins when using a Quick-Hitch. (Lower 3-point bushings are supplied by customer)
3. The tractor's center 3-point link is attached to the upper center hitch holes with a hitch pin and secured with a hitch pin keeper. (Hitch pin and hitch pin keeper are supplied by customer.)
4. The center bushing is for Quick-Hitch attachment and is bolted in the lower center hitch holes.



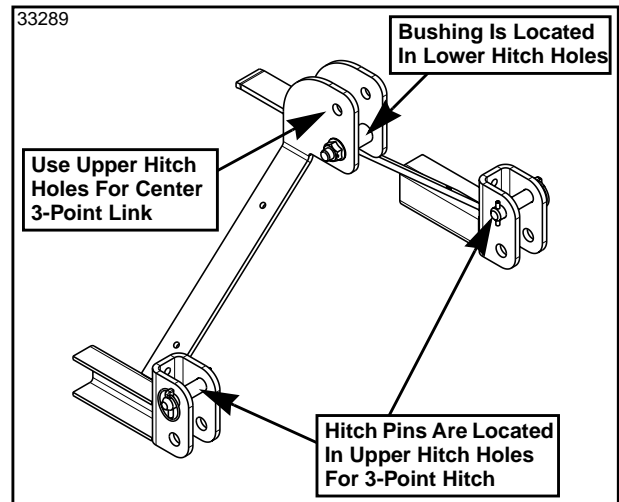
Standard 3-Point & Quick-Hitch Hook-up  
Figure 4-1

#### Special 3-Point Hook-up

**Refer to Figure 4-2:**

This arrangement is used when the tractor's lower 3-point arms will not lower enough to remove snow close to the ground.

1. The lower 3-point hitch pins are located in the upper clevis holes.
2. The tractor's center 3-point link is attached to the upper center hitch holes with a hitch pin and secured with a hitch pin keeper. (Hitch pin and hitch pin keeper are supplied by the customer.)



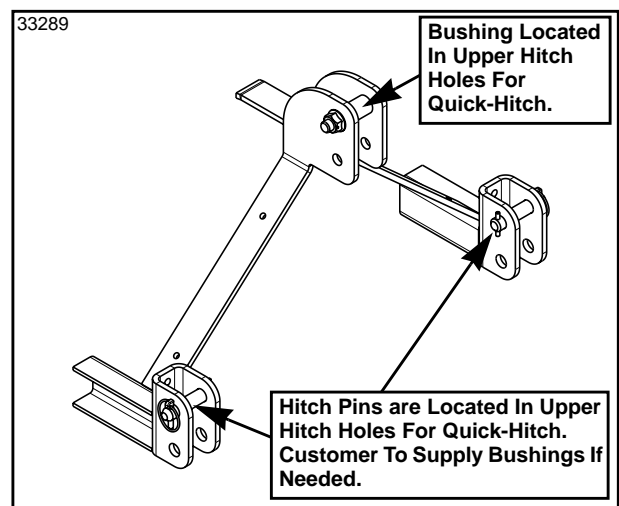
Special 3-Point Hitch Hook-up  
Figure 4-2

#### Special Quick-Hitch Hook-up

**Refer to Figure 4-3:**

This arrangement is used with a Quick-Hitch attached to the tractor and the tractor's lower 3-point arms will not lower enough to remove snow close to the ground.

1. The lower 3-point hitch pins are located in the upper clevis holes.
2. Bushings can be added to the lower 3-point hitch pins when needed for the Quick-Hitch. (Lower 3-point bushings are supplied by customer)
3. The center bushing for Quick-Hitch attachment is bolted to the upper center hitch holes.



Special Quick-Hitch Hook-up  
Figure 4-3

## Section 4: Adjustments

### Chute Rotation



#### WARNING

Never rotate chute to throw snow at the tractor. The Snow Blower is capable of picking up large solid objects and discharging them out the chute causing serious bodily injury or death.



#### WARNING

Never operate Snow Blower with chute throwing snow towards animals or people. The Snow Blower is capable of picking up large solid objects and discharging them out the chute at high speeds causing serious bodily injury or death.

**IMPORTANT:** Never operate a Snow Blower with chute throwing snow towards property such as vehicles, buildings, trailers etc. that can be scratched, dented or broken by thrown projectiles.

**IMPORTANT:** Do not operate a Snow Blower that throws snow towards the tractor or operator. Repair chute rotation stop if chute can be rotated to throw snow towards tractor and operator before putting the Snow Blower back into service.

Chute rotation can be accomplished in one of three ways depending upon which option was purchased.

#### Manual Rotation

1. Stop tractor, place gearshift in park, shut tractor engine off and remove switch key. Stay on tractor until PTO has come to a complete stop.
2. Turn rotation handle to rotate chute in the direction snow is to be thrown.
3. Resume snow blowing once new chute angle is set.

#### Electric Motor Rotation

Refer to Figure 3-6 on page 17:

1. Stop tractor and place gearshift in park before adjusting chute rotation angle.
2. Push and hold control box red toggle switch to rotate chute to the left and pull and hold switch to rotate chute to the right. Release toggle switch when desired angle is reached.
3. Resume snow blowing once new chute angle is set.

#### Hydraulic Motor Rotation

**IMPORTANT:** Adjustment screws on hydraulic motor are preset at the factory. Do not change factory settings. Changing factory settings can cause structural damage to the Snow Blower.

1. Stop tractor and place gearshift in park before adjusting chute rotation angle.
2. Push on hydraulic control lever to rotate chute to the left and pull to rotate chute to the right.
3. Resume snow blowing once new chute angle is set.

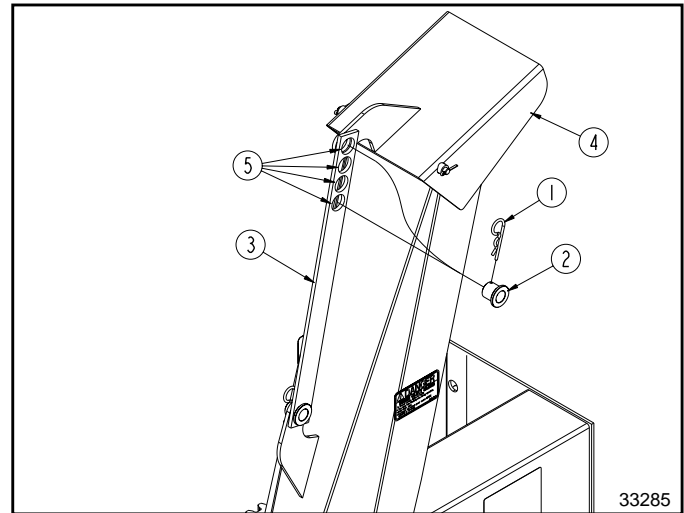
### Discharge Chute Tilting

The end of the chute can be angled up or down to direct blown snow up close or far away. This is accomplished in one of three ways depending upon which option was purchased.

#### Manual Tilting

Refer to Figure 4-4:

1. Stop tractor, place gearshift in park, shut tractor engine off and remove switch key. Stay on tractor until PTO has come to a complete stop.
2. Pull hair pin cotter (#1) and adjustment pin (#2).
3. Readjust angle of discharge chute (#4) to suit by realigning one of the 4 holes (#5) with hole in discharge chute (#6).
4. Insert adjustment pin (#2) and secure with hairpin cotter (#1).
5. Resume snow blowing once new chute angle is set.



Manual Chute Tilt  
Figure 4-4

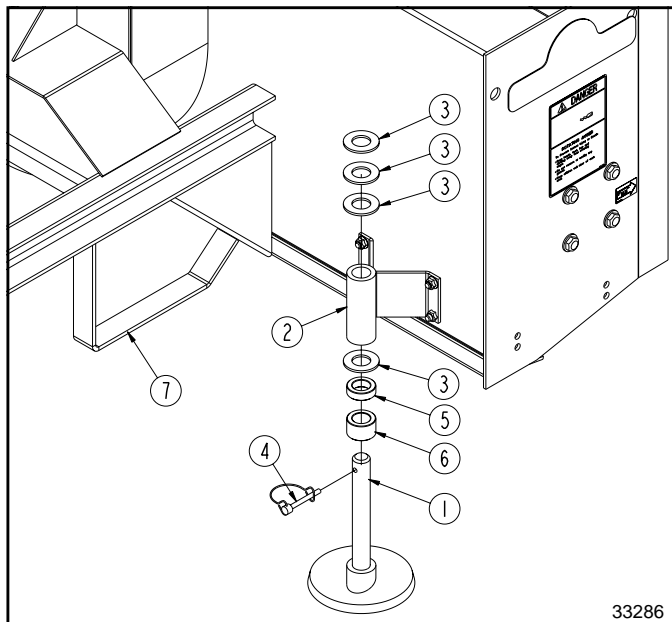
#### Electric Actuator Tilting

Refer to Figure 3-6 on page 17:

1. Stop tractor and place gearshift in park before adjusting discharge chute tilt.
2. Push and hold control box white toggle switch to tilt discharge chute up. Pull and hold on switch to tilt discharge chute down. Release toggle switch when desired angle is reached.
3. Resume snow blowing once new tilt angle is set.

#### Hydraulic cylinder Tilting

1. Stop tractor and place gearshift in park before adjusting discharge chute tilt.
2. Push on hydraulic control lever to tilt discharge chute up and pull on hydraulic control lever to tilt discharge chute down.
3. Resume snow blowing once new tilt angle is set.

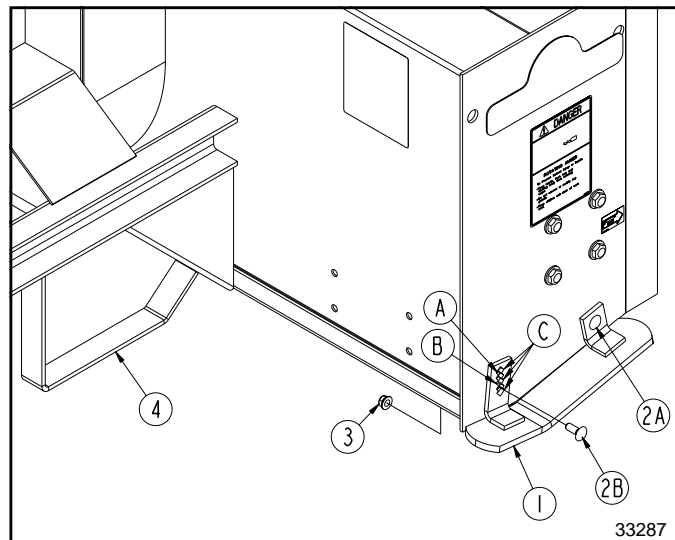


Inner Skid Shoe Assembly  
Figure 4-5

### Inner Skid Shoes

Refer to Figure 4-5:

1. Place support blocks under Snow Blower support rests (#7) to hold unit off the ground high enough to remove skid shoes (#1) from skid shoe mounts (#2).
2. Lower Snow Blower onto the support blocks, place tractor gearshift in park, shut tractor engine off and remove switch key. Make certain PTO is not running before dismounting from tractor.
3. Remove wire retaining pin (#4) and all spacers on top of skid shoe mount (#2).
4. Pull skid shoes (#1) out of skid shoe mount (#2).
5. Raise or lower Snow Blower cutting edge as follows:
  - To raise Snow Blower cutting edge, add an equal amount of spacers (#3, #5, and/or #6) to both skid shoes.
  - To lower Snow Blower cutting edge, remove an equal amount of spacers (#3, #5, and/or #6) from both skid shoes.
6. Reinsert skid shoes (#1) into skid shoe mounts (#2).
7. Store unused spacers on top of skid shoe mounts. (Three #3 spacers shown on top in illustration)
8. Secure spacers and skid shoes with wire retaining pin (#4). Make sure wire retainer is caught over end of pin.



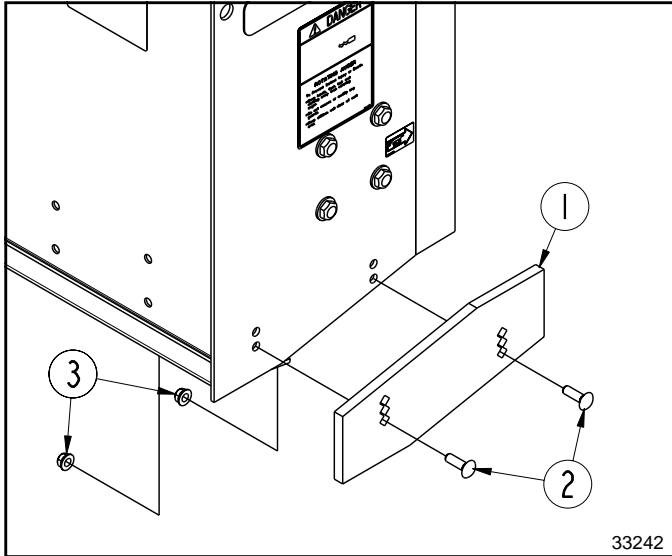
Outer Skid Shoe Assembly  
Figure 4-6

### Outer Skid Shoes

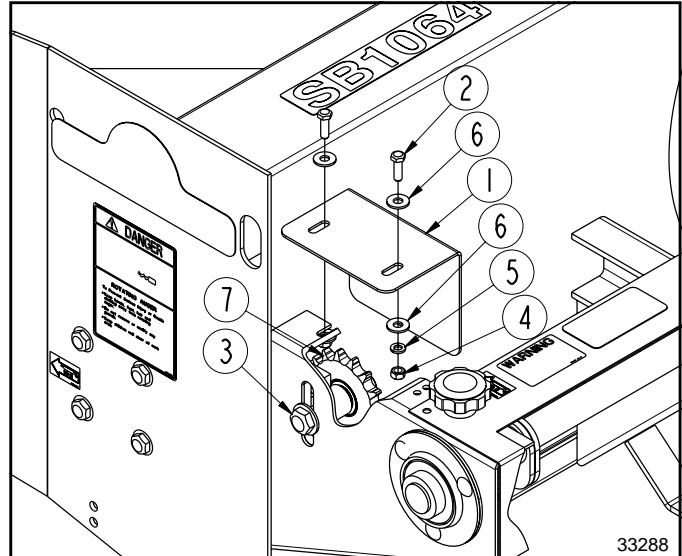
Refer to Figure 4-6:

1. Place support blocks under Snow Blower support rests (#4) to hold unit off the ground high enough to adjust skid shoes (#1) up or down.
2. Lower Snow Blower onto the support blocks, place tractor gearshift in park, shut tractor engine off, and remove switch key. Make certain PTO is not running before dismounting from tractor.
3. Loosen carriage bolt (#2A).
4. Remove carriage bolt (#2B).
5. Rotate skid shoe (#1) down to raise cutting edge and up to lower cutting edge.
6. Reinsert carriage bolt (#2A) into one of 5 skid shoe square holes "C" and one of two holes "A" or "B" behind the skid shoe mounting tab. Secure skid shoes with hex flange lock nuts (#3).
7. Tighten carriage bolts (#2A & #2B) to the correct torque.

## Section 4: Adjustments



**Outer Wear Bar Assembly**  
Figure 4-7



**Roller Chain Take-up Adjustment**  
Figure 4-8

### Outer Wear Bars

Refer to Figure 4-7:

1. Place support blocks under Snow Blower support rests to hold unit off the ground high enough to adjust wear bars (#1) up or down.
2. Lower Snow Blower onto the support blocks, place tractor gearshift in park, shut tractor engine off, and remove switch key. Make certain PTO is not running before dismounting from tractor.
3. Remove carriage bolts (#2).
4. Move wear bars (#1) up or down to the preferred height and reinsert carriage bolts (#2).
5. Secure wear bars (#1) with existing hex flange lock nuts (#3). Tighten lock nuts to the correct torque.

**NOTE:** When wear bars (#1) are worn excessively, they can be turned upside down and reused to extend wear life.

### Roller Chain Take-up

Refer to Figure 4-8:

**IMPORTANT:** Tighten roller chain until bottom chain has 3/8" to 1/2" slack. Do not tension roller chain tight. A tensioned tight roller chain will accelerate chain wear and sprocket wear.

1. Remove cap screws (#2) and idler guard (#1). Keep guard and guard hardware for reattachment.
2. Loosen 5/8" cap screw (#3) and push down on idler sprocket (#7) until vertical movement in the middle of bottom chain has 3/8" to 1/2" slack.
3. Hold sprocket in this position and tighten 5/8"-11 cap screw (#3) to the correct torque.
4. Attach idler guard (#1) with 5/16"-18 x 1" GR5 hex head cap screws (#2), 2-flat washers (#6), spring lock washers (#5), and hex nuts (#4). Tighten hex nuts to the correct torque.



Section 5: Operating Instructions

**Operating Checklist**

Hazard control and accident prevention are dependent upon the awareness, concern, prudence, and proper training involved in the operation, transport, storage, and maintenance of the Snow Blower. Therefore, it is absolutely essential that no one operates the Snow Blower without first having read, fully understood, and become totally familiar with the Operator's Manual. Make sure the operator has paid particular attention to:

- **Important Safety Information**, pages 1 to 6
- **Section 1: Standard Assembly & Set-up**, page 8
- **Section 2: Optional Assembly & Set-up**, page 9
- **Section 3: Tractor Hook-up & Unhook**, page 14
- **Section 4: Adjustments**, page 19
- **Section 5: Operating Instructions**, page 23
- **Section 6: Maintenance & Lubrication**, page 28

The following inspection should be performed before using the Snow Blower.

**Operating Checklist**

✓	Check	Page
	Read and follow all safety rules carefully. Refer to "Important Safety Information".	Page 1
	Make sure all guards & shields are in place. Refer to "Important Safety Information".	Page 1
	Follow hook-up & driveline Installation. Refer to "Snow Blower Hook-up" & "Driveline Installation".	Page 14
	Make all required adjustments. Refer to "Section 4: Adjustments".	Page 19
	Perform all required maintenance. Refer to "Section 6: Maintenance & Lubrication".	Page 28
	Lubricate Snow Blower and driveline as needed. Refer to "Lubrication".	Page 33
	Lubricate gearbox and replace oil plugs. Refer to "Gearbox" lubrication.	Page 34
	Check initially and periodically for loose bolts & pins. Refer to "Torque Values Chart".	Page 38

**Inspection Procedures**

Make the following inspections with Snow Blower attached to a tractor, gearshift set in park, PTO disengaged, and PTO completely stopped:

1. Inspect tractor safety equipment to make sure it is in good working condition.
2. Carefully raise and lower implement to ensure drawbar, tires, and other equipment on the tractor do not contact Snow Blower frame or driveline.
3. Check driveline guards to make certain they are in good working condition and in place.
4. Check driveline to be sure it is securely connected to tractor PTO shaft and Snow Blower gearbox shaft.

5. Check for and remove foreign objects wrapped around auger and Impeller.
6. Check for bent, broken, and extreme wear on auger flighting and impeller. Repair auger and impeller as required.
7. Remove solid supports from under the Snow Blower and verify skid shoes or wear bars are set at the correct height.

The remaining inspections are made by engaging PTO to check for auger and impeller interferences.

 **WARNING**

*Stop PTO immediately if auger or impeller makes contact with Snow Blower housing. Wait for PTO to come to a complete stop before dismounting from tractor to check for probable causes. Make necessary repairs before continuing on.*

**IMPORTANT:** Do not exceed rated PTO speed. Excessive engine speed will cause damage to power train components.

8. Start tractor, set throttle to idle or slightly above idle, and slowly engage PTO.
9. Once Snow Blower is running smoothly, increase tractor PTO speed to 540 RPM. Stop PTO immediately if an unusual sound is heard.
10. Investigate cause of noise and make repairs before putting Snow Blower back into service.

**Transporting**

 **WARNING**

*When traveling on public roads, use accessory lights, SMV sign, clean reflectors, and other adequate devices to warn operators in other vehicles of your presence. Always comply with all federal, state, and local laws.*

**IMPORTANT:** Always disengage tractor PTO before raising Snow Blower to transport position.

1. Make sure driveline does not contact tractor or Snow Blower when raising unit to transport position.
2. Reduce tractor ground speed when turning and leave enough clearance so Snow Blower does not contact obstacles such as buildings, trees, or fences.
3. Limit transport speed to 20 mph. Transport only with a tractor of sufficient size and horsepower.
4. When traveling on roadways, transport in such a way that faster moving vehicles may pass you safely.
5. Shift tractor to a lower gear when traveling over rough or hilly terrain.

## Section 5: Operating Instructions

## Safety Information

 **DANGER**

Do not engage tractor PTO while hooking-up and unhooking driveline or while someone is standing near the driveline. A person's body and/or clothing can become entangled in the driveline resulting in serious injury or death.

 **DANGER**

Always operate Snow Blower with tractor flashing lights turned on. Be extremely careful blowing snow at night with rear bright lights on. Approaching traffic from either direction can mistake which traffic lane you are traveling in and your direction of travel.

 **DANGER**

Keep people and animals away from tractor and Snow Blower while unit is operating. They can become entangled in the Snow Blower auger or ran over by the tractor and/or Snow Blower causing serious injury or death.

 **DANGER**

Always disengage PTO and wait for PTO to come to a complete stop before cleaning out a plugged discharge chute. The impeller blades are located just below the chute and will nip off fingers/hands while unplugging the chute if turning.

 **DANGER**

Never attempt to unclog built-up snow from the auger or chute, make adjustments, perform maintenance, or clean the Snow Blower with PTO engaged. Rotating impeller and auger can causing serious bodily injury or death.

 **DANGER**

Do not operate a broken or bent driveline. Such drivelines can break apart while rotating at high speeds causing serious injury or death. Always remove Snow Blower from service until damaged drivelines are repaired or replaced.

 **DANGER**

All guards must be installed and in good condition at all times during operation!

 **DANGER**

Tractor PTO shield, Gearbox shaft shield, and driveline shields must be secured in place when operating Snow Blower to avoid injury or death from entanglement in driveline.

 **DANGER**

Make certain Snow Blower is resting on the ground and all hydraulic pressure is relieved before disconnecting hydraulic fittings for the Snow Blower.

 **DANGER**

Do not lift 3-point Snow Blower fully up with driveline engaged. A Snow Blower raised too high can cause rotating u-joints to break apart and throw components at high speeds causing serious injury or death.

 **DANGER**

Do not operate and/or travel across steep inclines where a tractor can slip or roll-over causing serious injury or death. Consult your tractor's manual for acceptable inclines the tractor is capable of traveling across.

 **DANGER**

Always disconnect driveline from tractor PTO before servicing drive train components or underside of unit. Snow Blower can be engaged if tractor is started causing bodily injury or death.

 **DANGER**

Never run gravel, crushed rock, or other solid objects through the Snow Blower. Doing so will result in an expensive breakdown. The Snow Blower is also capable of throwing solid objects at high speeds causing property damage and injury or death to animals and people.

 **DANGER**

Always secure Snow Blower in the up position with solid supports before servicing underside of Snow Blower. Never work under equipment supported by hydraulics. Hydraulics can drop equipment if controls are actuated or if hydraulic lines burst. Either situation can drop the Snow Blower instantly even when power to hydraulics is shut off.

 **WARNING**

Always disengage PTO, place gear selector in park or in neutral with park brake set, shut tractor engine off, remove switch key, and wait for PTO to come to a complete stop before dismantling from tractor.

 **WARNING**

Clear area to be worked of debris and other unforeseen removable objects before blowing snow. Mark any potential hazards that cannot be removed such as tree stumps, post, rocks, holes, and drop-offs with a visible flag.

 **WARNING**

Do not remove snow from an icy surface unless tractor is properly equipped for working on such a surface. Always proceed with caution when traveling on ice. An icy surface covered with snow will result in loss of traction and steering control.

Section 5: Operating Instructions

**! WARNING**

Do not operate Snow Blower with loose pins, bolts, and nuts. Loose hardware can result in a serious breakdown causing bodily injury or death.

**! WARNING**

Never operate Snow Blower without good visibility and light. Use a tractor equipped with a cab to make seeing easier.

**! WARNING**

Always dress to stay warm in cold weather. Use a tractor equipped with a cab to help stay warm and to protect against cold blowing snow. Never allow your body or extremities to become too cold. Go inside to warm-up if you are getting too cold.

**! WARNING**

Dress properly for the job. Do not wear loose fitting clothing that could get caught in moving parts and be careful with long hair around moving parts. Wear footwear that will improve footing on slippery surfaces. Always be sure of your footing and keep a firm hold on handles. Walk, never run.

**! WARNING**

The chute can rotate 360°. Never rotate chute to throw snow at the tractor. The Snow Blower is capable of picking up solid objects and discharging them at high speeds causing serious bodily injury or death.

**! WARNING**

Keep people and animals away while removing snow. Never operate Snow Blower with chute throwing snow towards animals or people. The Snow Blower is capable of picking up large solid objects and discharging them at high speeds causing serious bodily injury or death.

**! WARNING**

Always be aware of pedestrians and vehicle traffic. Move snow during low-traffic hours. Always exercise safety, courtesy, and common sense.

**! WARNING**

If required, use back-up alarm to warn others you are backing-up. Always comply with all federal, state, and local laws.

**! WARNING**

Always travel removing snow at a speed that allows the operator to be in control at all times and always be ready to make emergency stops. Snow removal speed will vary depending on depth of snow, how wet the snow is, and how tight the snow is compacted.

**! WARNING**

Never pile snow where it obstructs visibility of traffic. Never pile snow near fire hydrants, mailboxes, water drains, shut-off valves, electrical boxes, handicap, and parking areas.

**! WARNING**

Beware of obstacles along side the tractor while making turns backing-up removing snow. Never swing front of tractor or tractor mounted front loader into fire hydrants mail boxes, buildings, vehicles, fences, trees, or other standing obstacles.

**! WARNING**

Do not operate Snow Blower with loose pins, bolts, and nuts. Loose hardware can result in a serious breakdown causing bodily injury or death.

**! WARNING**

Never remove snow that has been plowed. Blow only fresh snow that has not been disturbed. Plowed snow contains foreign particles such as dirt and rocks that can cause serious bodily injury or death.

**! WARNING**

Do not operate Snow Blower with auger flighting or impeller blades that are broken or bent making contact with the housing. Broken or bent flighting and blades can break loose from the Snow Blower at high speeds causing serious injury or death.

**! WARNING**

Do not use Snow Blower as a working platform. The Snow Blower is not properly designed or guarded for this use and could cause a serious injury or death.

**! WARNING**

Never allow riders including children on the tractor or Snow Blower. They can fall and be ran over causing serious injury or death.

**! WARNING**

Do not use Snow Blower to lift or carry objects; to pull fence posts, stumps or other objects; or to tow other equipment. Doing so can damage the Snow Blower, cause serious bodily injury or death.

**IMPORTANT:** Check driveline coupling bolt at the gearbox input shaft daily to verify if it is tight and yoke is secured to gearbox input shaft. Check driveline yoke at tractor PTO shaft to verify pull collar is properly locked to PTO shaft.

## Section 5: Operating Instructions

**IMPORTANT:** Never operate Snow Blower with chute throwing snow towards property such as vehicles and buildings that can be scratched, dented, or broken by solid objects hitting them.

**IMPORTANT:** Do not use Snow Blower as a Box Scraper or to blow other materials. Doing so can break the auger, impeller, gearbox, driveline, and cause structural damage to the unit.

**NOTE:** Always check with local regulations to know where snow can be legally piled. Never pile snow on someone else's property, streets, or sidewalks.

### General Operator Instructions

It is important that you familiarize yourself with the Operator's Manual, complete Operators Checklist, properly attach the Snow Blower to your tractor, and make leveling adjustments before running an operational safety check. If you detect a malfunction in either the Snow Blower or tractor during the operational safety check, immediately shut tractor off, remove switch key, and make all necessary repairs/adjustments before continuing.

Make sure the tractor park brake is engaged, PTO is disengaged, and Snow Blower is resting on the ground before starting tractor for the operational safety check. Start tractor and set engine throttle speed at a low idle. Raise Snow Blower with tractor's rear hydraulic lift control lever to transport position making sure that the driveline does not bind and does not contact the Snow Blower frame. Lower Snow Blower to the ground and at a low engine speed engage PTO. If everything is running smoothly at a low idle, slowly increase tractor engine RPM until it reaches the Snow Blower's full PTO operating speed of 540 RPM. If everything is still running smoothly, return engine to low idle, and disengage PTO.

You should now be ready to transport to your snow blowing site at a safe ground speed. On roadways transport in such a manner that faster moving vehicles can easily see you and pass you safely. Reduce your speed when travelling over rough and hilly terrain. Avoid quick or sharp steering corrections. Take extra care to ensure that the Snow Blower doesn't come into contact with obstacles such as trees, buildings, or fences. Use accessory lights and appropriate reflective devices to provide adequate warning to pedestrians and other vehicle operators when traveling on public roads and in the dark of night. Comply with all local, state, and federal laws.

It is important that you know the area where snow is to be removed and what lies beneath the snow. If possible, survey the area ahead of the snow. Remove all possible obstructions and mark any obstructions that cannot be removed with flags that project above the snow. If you are unfamiliar with the area, ask someone who can identify hidden obstructions so that you can mark them with a flag. Flag manholes, water meters, gas meters, culvert

edges, fire hydrants, stumps, and other obstructions that are not easily seen. It really pays to inspect a new area and to develop a safe plan before moving snow.

Determine how close to the ground the Snow Blower can be operated. Set skid shoes or outer wear bars to hold the Snow Blower off the ground at a predetermined height. Surfaces with gravel or crushed rock will require a higher setting than hard flat surfaces such as asphalt and concrete. Never set Snow Blower so low as to pick-up grave and rock.

Determine wind direction and devise a removal plan that will allow wind to carry blown snow away from the operator and not towards the operator. Snow discharged out the Snow Blower and blown back at you will obstruct your view and can totally block your vision of work.

Determine direction to blow snow and rotate chute to blow snow in that direction. To minimize work, do not blow snow over an area that has already been cleared of snow and never rotate chute to blow snow towards the tractor. Hard objects can be thrown at the tractor and operator.

Determine chute tilt angle and set chute to this angle. This angle will vary depending on how far snow is to be blown, how light and fluffy the snow is, and how wet and heavy it is.

Some adjustments to the chute rotation and chute tilt angle may be necessary after traveling a few feet. If operator needs to get off the tractor to make adjustments, he must stop the tractor, disengage PTO, place gear selector in park or in neutral with park brake set, shut engine off, remove switch key, and wait for PTO to stop running before dismounting tractor.

It is now time to back the Snow Blower up to your starting point. Once at your starting point, stop backing up and lower Snow Blower down onto its skid shoes or wear bars. Make sure all pressure is off the 3-point lift arms.

The heavier and deeper the snow, the slower your will need to travel. Make certain you maintain 540 RPM PTO speed and a travel speed between 1 and 5 MPH that will allow you to be in control at all times. Make a tractor gear and range selection that will enable you to maintain these speed combinations.

Set throttle at an idle speed, and engage PTO. Listen for unusual clicking or knocking sounds as the auger and impeller start rotating. If everything sounds fine increase throttle to 540 RPM PTO speed. If an unusual sound is heard, shut tractor down immediately, investigate cause, and make necessary repairs before continuing.

Start backing up slowly with engine running at 540 RPM PTO speed. If travel speed is too fast, shift gears to a slower speed. Only shift to a higher speed if you are certain it will be a safe traveling speed. The heavier and deeper the snow the slower you will need to travel. Make certain you maintain 540 RPM PTO speed and a travel speed that allows you to be in control at all times. Make a tractor gear and range selection that will enable you to maintain these speed combinations.

## Section 5: Operating Instructions

---

Turn your head to look where you are traveling while backing-up. Do not use rear view mirrors to view direction of travel while backing up. It is very important that you get a full field of view to prevent an accident.

Beware of obstacles along side the tractor while making turns backing-up removing snow. Never swing front of tractor or tractor mounted front loader into fire hydrants mail boxes, buildings, vehicles, fences, trees, or other standing obstacles. Shift to a lower gear and travel very slow when in a tight situation to allow time to react and stop the tractor before hitting an obstacle.

Once you have reached end of travel, stop tractor, raise Snow Blower up, and travel forward to the front of your work to make another run at blowing snow. It is not necessary to disengage PTO while traveling forward if Snow Blower is raised to a height that does not exceed driveline limits. For explanation of driveline limits, see "**Check Driveline Interference**" on page 16.

Once at the front, back Snow Blower up to your next starting point, lower unit down onto its skid shoes or wear bars until all pressure is off the 3-point arms, engage PTO, and begin traveling blowing snow.

With a little practice you will be pleased with what you and your Land Pride Snow Blower can do. Whether you are done blowing snow, need to take a break, or just need to make a few adjustments to the Snow Blower, remember to always do the following:

- Reduce tractor's engine rpm
- Disengage PTO
- Stop on level ground and set tractor park brake
- Turn off the engine and remove the key
- Stay on the tractor until the Snow Blower auger have come to a complete dead stop.

## Section 6: Maintenance & Lubrication

### General Maintenance Information

Proper servicing and adjustment is the key to the long life of any implement. With careful inspection and routine maintenance, you can avoid costly downtime and repair.

Check all bolts after using unit for several hours to be sure they are tight. Replace any worn, damaged, or illegible safety labels by obtaining new labels from your Land Pride dealer.

The parts on your Snow Blower have been specially designed and should only be replaced with genuine Land Pride parts. Do not alter the Snow Blower in a way which will adversely affect its performance.

### Tractor Maintenance

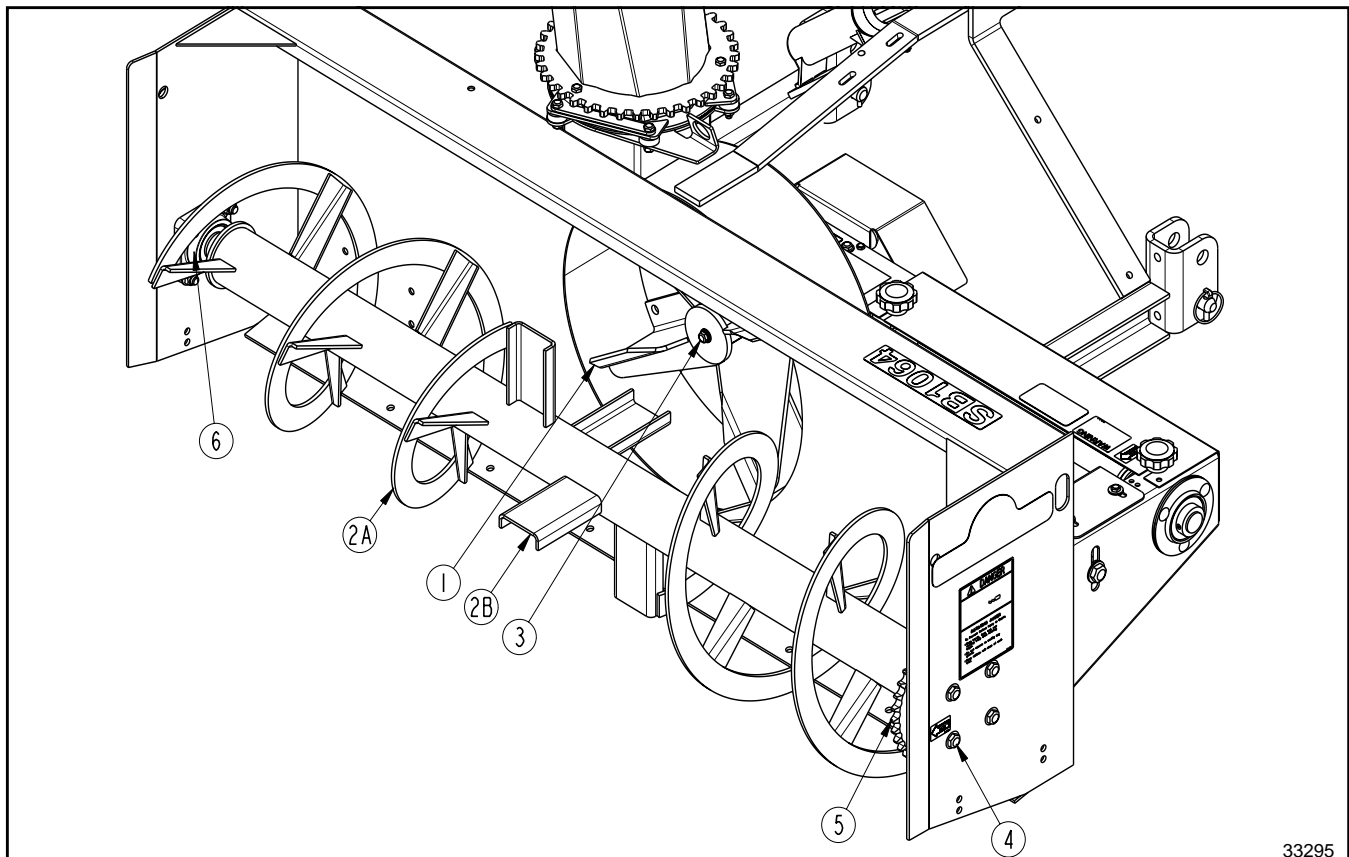
One of the most important things you can do to prevent hydraulic system problems is ensure that your tractor's reservoir remains free of dirt and contamination.

Use a clean cloth to wipe hose ends before attaching them to your tractor. Replace your tractor's hydraulic filter element at the prescribed intervals. These simple maintenances will go a long way to prevent occurrence of control valve and hydraulic cylinder problems.

### Auger & Impeller Inspection

Refer to Figure 6-1:

1. Check 3/8"-16 GR5 Impeller bolt (#3) for tightness, Make certain it is torqued tight.
2. Check impellers (#1) for wear, structural cracks, and breakage. Repair or replace impeller before it causes structural damage to Snow Blower housing.
3. Check for bent impellers (#1) that are making contact or are about to make contact with Snow Blower housing. Repair or replace impeller before it causes structural damage to Snow Blower housing.
4. Check auger flighting (#2A) and auger paddles (#2B) for wear, structural cracks, bending, and breakage. Repair or replace auger before components break-off and are sent into the impeller or through the air.
5. Check end bearings (#6) for wear. Replace bearings that are worn excessively.
6. Lubricate bearings as required. See lubrication schedule for "**Auger Flange Bearings**" on page 33.
7. Check bearing mounting bolts (#4) for tightness. Make certain they are tightened to the correct torque.
8. Check roller chain and sprocket (#5) for wear and chain tightness. Replace chain and/or sprocket if they are worn excessively. See "**Roller Chain Take-up**" instructions on page 22.



Auger & Impeller Inspection  
Figure 6-1

### Shearbolt Protection

The Snow Blower is protected from large objects entering the Snow Blower housing with a drive shaft shearbolt and a driveline shearbolt. They must be kept tight to keep them from wearing on the bolt holes and to prevent bolt wear.

#### Drive Shaft Shearbolt

**Refer to Figure 6-2:**

There are two holes above the roller chain for storing extra drive shaft shearbolts with lock nuts. A good practice would be to keep several shearbolts on hand at all times. Shearbolts can be purchased from your nearest Land Pride dealer.

1. Loosen hand knobs (#6) and remove rear drive shaft guard (#3).
2. Realign holes in drive shaft tabs (#1 & #2) and insert new shearbolt (#4) through the holes. Secure bolt with hex nylock nut (#5). Tighten nylock nut.

**IMPORTANT:** Always retighten set screws (#7) in outer bearing after replacing a broken shear bolt to ensure the set screws have not come loose.

3. Retighten bearing set screws (#7).
4. Replace guard (#3) and secure with knobs (#6).

#### Drive Shaft Shearbolt Part Numbers

Part No.	Part Description
802-005C	1/4"-20 x 1" GR5 hex head cap screw (Torque nut to 8 ft. lbs.)
803-255C	1/4"-20 Nylock hex nut

#### Driveline Shearbolt

**Refer to Figure 6-3:**

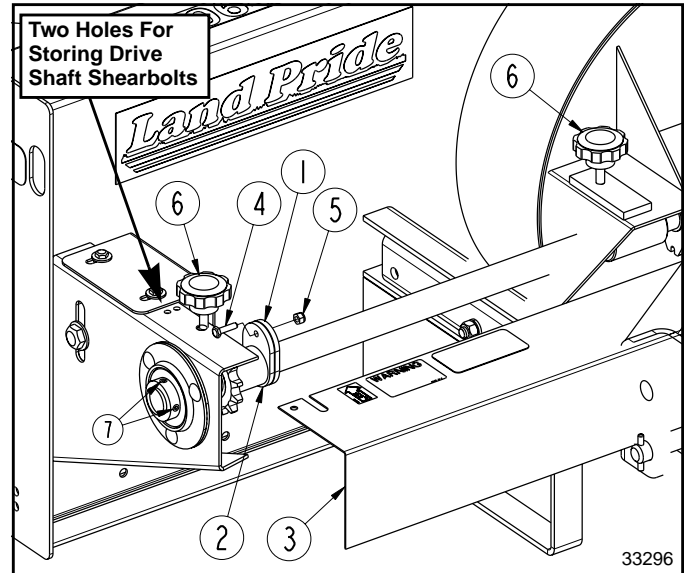
There are two holes near the gearbox for storing extra driveline shearbolts with lock nuts. A good practice would be to keep several shearbolts on hand at all times. Shearbolts can be purchased from your nearest Land Pride dealer.

**Refer to Figure 6-4:**

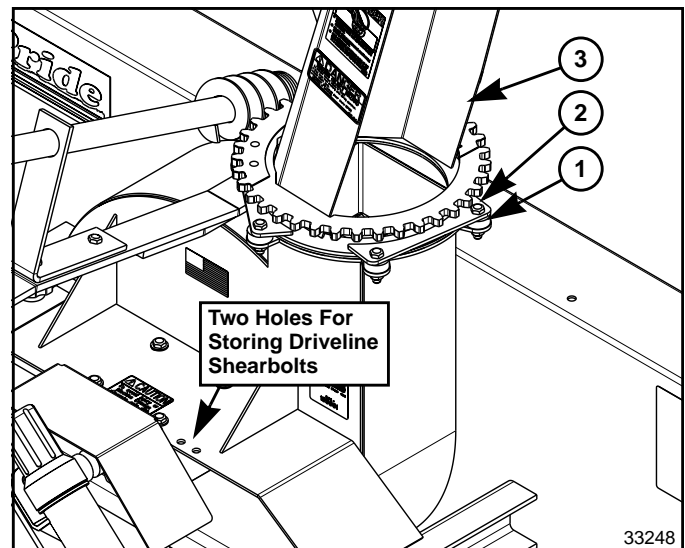
1. If included, unsnap and open side doors on gearbox shielding to access shearbolt end of driveline.
2. Realign holes in end of driveline tabs (#1 & #2) and insert new shearbolt (#3) through holes. Secure bolt with lock nut (#4). Tighten lock nut.
3. If opened, close side doors on gearbox shielding.

#### Driveline Shearbolt Part Numbers

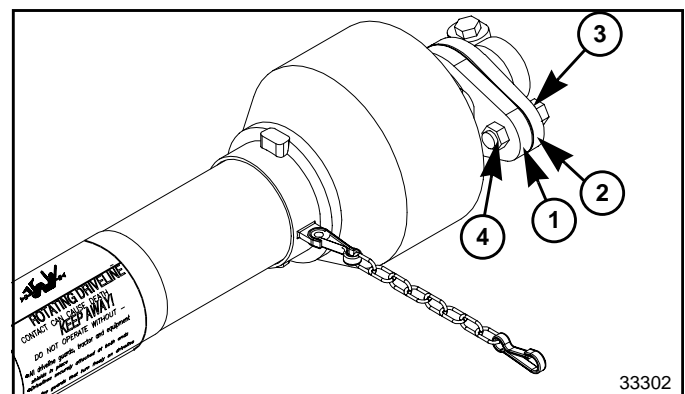
Part No.	Part Description
<b>SB10 &amp; SB15 Series</b>	
165.000.571	BOLT & NUT M8 x 50 C1.6.6 (Torque nut to 19 ft. lbs.)
<b>SB25 Series</b>	
165.000.583	BOLT & NUT M10 x 60 C1.6.6 (Torque nut to 52 ft. lbs.)



**Drive Shaft Shearbolt  
Figure 6-2**



**Driveline Shearbolt Storage Location  
Figure 6-3**



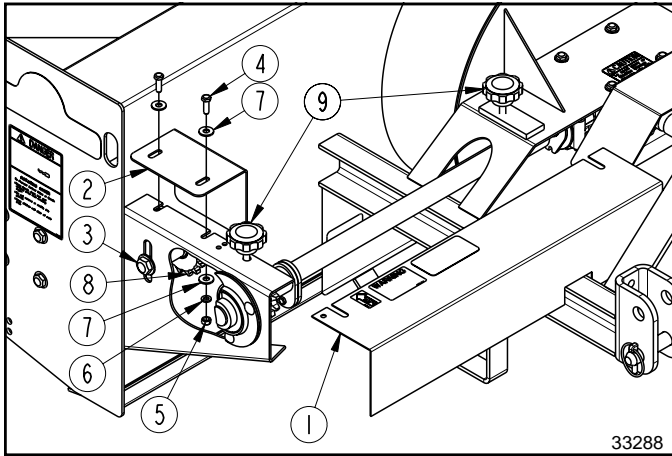
**Drive Shaft Shearbolt  
Figure 6-4**

## Section 6: Maintenance & Lubrication

### Chute Bearings

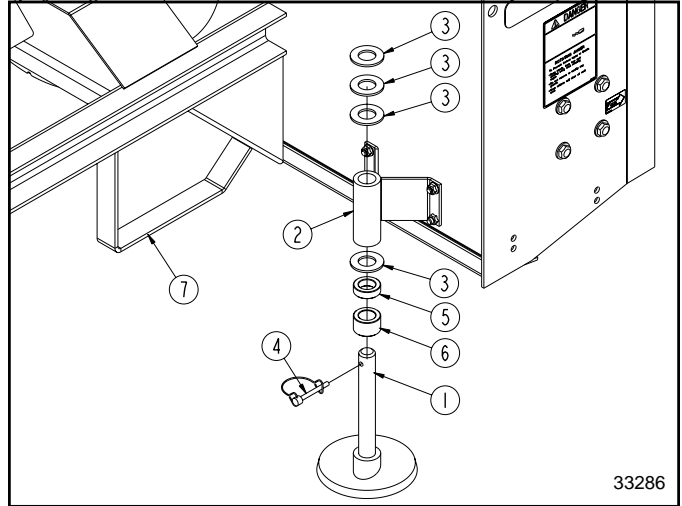
Refer to Figure 6-3 on page 29:

Over time, the chute bearings (#1) can develop some wear making it hard to rotate chute (#3). If they do wear, loosen bolts (#2) and rotate chute bearings (#1) to a new wear surface. Retighten bolts (#2) to the correct torque before putting Snow Blower back into service.



Roller Chain Take-up Replacement  
Figure 6-5

8. Attach idler guard (#2) with 5/16"-18 x 1" GR5 hex head cap screws (#4), flat washers (#7), spring lock washers (#6), and hex nuts (#5). Tighten hex nuts to the correct torque.
9. Replace rear drive shaft guard (#1) and secure with hand knobs (#9). Hand tighten knobs.



Inner Skid Shoe Replacement  
Figure 6-6

### Drive Chain

Refer to Figure 6-5:

Drive Chain Part Number	
Part No.	Part Description
809-301C	#60 ROLLER CHAIN x 84 PITCHES WITH CONNECTOR

**IMPORTANT:** Do not over tension drive chain. A tight drive chain will overload drive shaft, auger shaft and bearings. Damage to components due to an over tensioned drive chain will void its warranty.

1. Loosen hand knobs (#9) and remove rear drive shaft guard (#1).
2. Remove cap screws (#4) and idler guard (#2). Keep guard and guard hardware for reattachment.
3. Loosen cap screw (#3) and pull up on take-up sprocket (#8). Remove drive chain.
4. Inspect drive chain for wear or have your nearest Land Pride service center inspect the drive chain. A worn drive chain will accelerate sprocket wear. Replace worn drive chain when needed.
5. Install existing or new drive chain as needed. Pull up on take-up sprocket (#8) and position top chain strand of drive chain under the take-up sprocket.
6. Push down on take-up sprocket until vertical movement in the middle of bottom chain strand has 3/8" to 1/2" slack.
7. Hold sprocket in this position and tighten 5/8"-11 cap screw (#3) to the correct torque.

### Inner Skid Shoes (Optional)

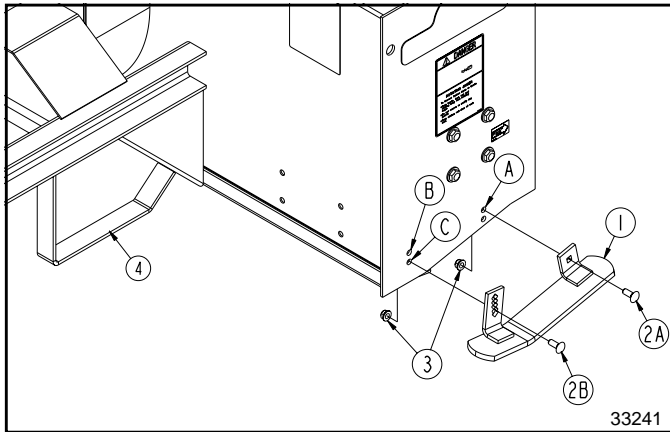
Refer to Figure 6-6:

Inner Skid Shoe Part Numbers	
Part No.	Part Description
301-293H	BUTTON TYPE SKID SHOE

Inspect inner skid shoes for wear and replace as needed.

1. Place support blocks under Snow Blower support rests (#7) to hold unit off the ground high enough to remove skid shoes (#1) from skid shoe mounts (#2).
2. Lower Snow Blower onto the support blocks, place gear selector in park or in neutral with park brake set, shut engine off, remove switch key, and wait for PTO to stop running before dismounting tractor.
3. Install right side inner skid shoe as follows:
  - a. Remove pin (#4), top spacers (#3, #5, and/or #6), and used skid shoe (#1). Save spacers for reinstallation in step 3d below.
  - b. Remove spacers (#3, #5, and/or #6) from used skid shoe (#1). Reinstall these spacers on the new skid shoe.
  - c. Insert new skid shoe (#1) in skid shoe mount (#2).
  - d. Install spacers removed in step 3a above onto new skid shoes (#1).
  - e. Secure spacers and skid shoes with existing wire retaining pin (#4). Make sure wire retainer is caught over end of pin.
4. Repeat step 3 above to install left side skid shoe.





Outer Skid Shoe Replacement  
Figure 6-7

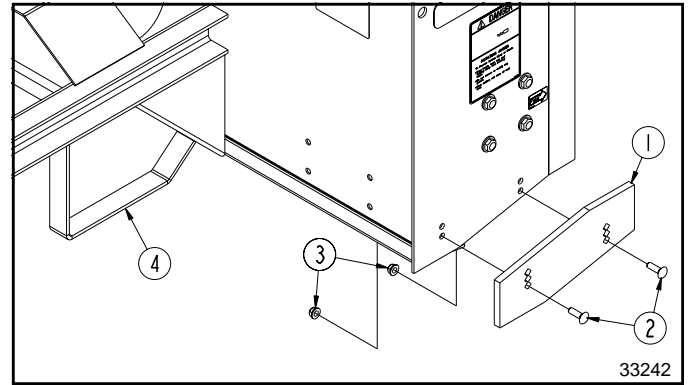
### Outer Skid Shoes (Optional)

Refer to Figure 6-7:

Outer Skid Shoe Part Numbers	
Part No.	Part Description
370-013H	OUTER LEFT-HAND SKID SHOE
370-014H	OUTER RIGHT-HAND SKID SHOE

Inspect outer skid shoes for wear and replace as needed.

1. Place support blocks under Snow Blower support rests (#4) to hold unit off the ground high enough to remove skid shoes (#1).
2. Lower Snow Blower onto the support blocks, place gear selector in park or in neutral with park brake set, shut engine off, remove switch key, and wait for PTO to stop running before dismounting tractor.
3. Remove carriage bolts (#2A & #2B) and right-hand skid shoe (#1). Discard skid shoe and save hardware for reattachment of new skid shoe.
4. Attach right-hand skid shoe (#1) to upper hole "A" with 3/8"-16 x 1" GR5 carriage bolt (#2A) and hex flange lock nut (#3).
5. Attach right-hand skid shoe (#1) to hole "B" or "C" with 3/8"-16 x 1" GR5 carriage bolt (#2B) and hex flange lock nut (#3).
6. Tighten lock nuts (#3) to the correct torque.
7. Repeat steps 3 to 6 above for left-hand skid shoe.



Outer Wear Bar Replacement  
Figure 6-8

### Outer Wear Bars (Optional)

Refer to Figure 6-8:

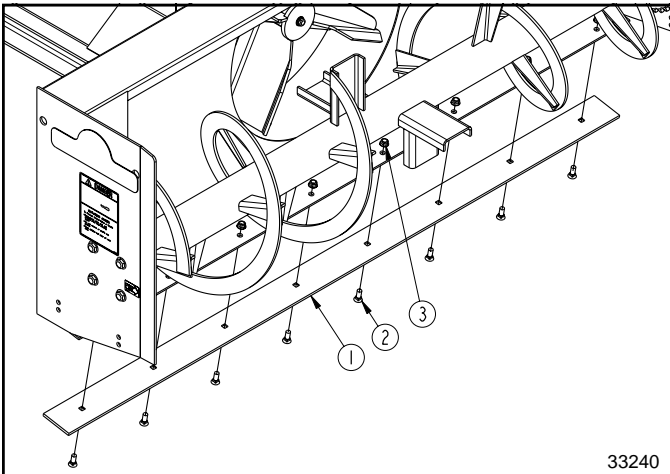
Outer Wear Bar Part Numbers	
Part No.	Part Description
370-212D	OUTER WEAR BAR

**NOTE:** When outer wear bars (#1) are worn excessively, they can be rotated 180° and reused to extend their wear life.

Inspect outer wear bars and carriage bolts for wear and replace as needed.

1. Place support blocks under Snow Blower support rests (#4) to hold unit off the ground high enough to remove wear bars (#1).
2. Lower Snow Blower onto the support blocks, place gear selector in park or in neutral with park brake set, shut engine off, remove switch key, and wait for PTO to stop running before dismounting tractor.
3. Remove carriage bolts (#2) and wear bars (#1).
4. Inspect hardware for wear. Save if hardware is not worn. Discard hardware and purchase new if worn excessively.
5. Inspect wear bars. Save wear bars if they can be turned over and reused. Discard wear bars if worn excessively.
6. Rotate and reattach existing wear bars or new wear bars (#1) to the side panels with existing/new carriage bolts (#2) and flange lock nuts (#3).
7. Tighten lock nuts (#3) to the correct torque.

Section 6: Maintenance & Lubrication



Lower Wear Bar Replacement  
Figure 6-9

Lower Wear Bar (Optional)

Refer to Figure 6-9:

Lower Wear Bar Part Numbers	
Part No.	Part Description
370-108A	WEAR BAR BUNDLE 1574 (Items 1, 2 & 3)
1. 370-213D	LOWER WEAR BAR 1574
2. 802-603C	3/8"-16 x 1" GR 5 PLOW BOLT
3. 803-209C	3/8"-16 HEX FLANGE LOCK NUT

**NOTE:** When front edge of lower wear bar (#1) is worn excessively, it can be rotated 180° and reused to extend its' wear life.

Inspect cutting edge wear bar and plow bolts for wear and rotate 180° or replace as needed. Make sure wear bar is replaced before auger housing becomes exposed to wear.

1. Remove hex flange lock nuts (#3), plow bolts (#2), and lower wear bar (#1).
2. Attach new wear bar (#1) to bottom of Snow Blower frame with existing/new plow bolts (#2) and hex flange lock nuts (#3).
3. Tighten lock nuts to the correct torque.

Long Term Storage

Clean, inspect, service, and make necessary repairs to the Snow Blower when parking it for long periods and when parking it at the end of a working season. This will help ensure the Snow Blower is ready for field use the next time you hook-up to it.

**DANGER**

Always disconnect driveline from tractor PTO before servicing drive train components or underside of unit. Snow Blower can be engaged if tractor is started causing bodily injury or death.

**DANGER**

Always secure Snow Blower in the up position with solid supports before servicing underside of Snow Blower. Never work under equipment supported by hydraulics. Hydraulics can drop equipment if controls are actuated or if hydraulic lines burst. Either situation can drop the Snow Blower instantly even when power to hydraulics is shut off.

1. Clean off any dirt and grease that may have accumulated on the Snow Blower and moving parts and then wash surface thoroughly with a garden hose.
2. Check impeller, auger, wear bars, and skid shoes for wear and breaks. Repair or replace if necessary. See "Auger & Impeller Inspection" on page 28.
3. Inspect for loose, damaged, or worn parts. Make adjustments, repairs, and/or replace as needed.
4. Repaint parts where paint is worn or scratched to prevent rust. Ask your Land Pride dealer for aerosol touch-up paint. They are also available in touch-up bottles with brush, quarts, and gallon sizes by adding TU, QT, or GL to the end of the aerosol part number.

Land Pride Aerosol Touch-up Paint

Part No.	Part Description
821-011C	PAINT LP BEIGE AEROSOL SPRAY CAN
821-002C	PAINT LP BLACK AEROSOL SPRAY CAN
821-066C	PAINT ORANGE AEROSOL SPRAY CAN

5. Replace all damaged or missing decals.
6. Lubricate as noted in "Lubrication" starting on page 33.
7. Apply a coating of oil to the areas without paint due to high wear to minimize oxidation.
8. Store Snow Blower on a level surface in a clean, dry place. Inside storage will reduce maintenance and make for a longer Snow Blower life.
9. Follow all "Unhooking Snow Blower" instructions on page 18 when disconnecting Snow Blower from tractor.

Ordering Replacement Parts

Land Pride offers equipment in factory standard beige with black highlights. Equipment may also be purchased in Orange. Special attention must be given to the part number to prevent ordering the wrong color. A suffix number corresponding to one of the colors below must be added at the end of the part number. Parts ordered without the suffix number will be supplied in factory standard colors.

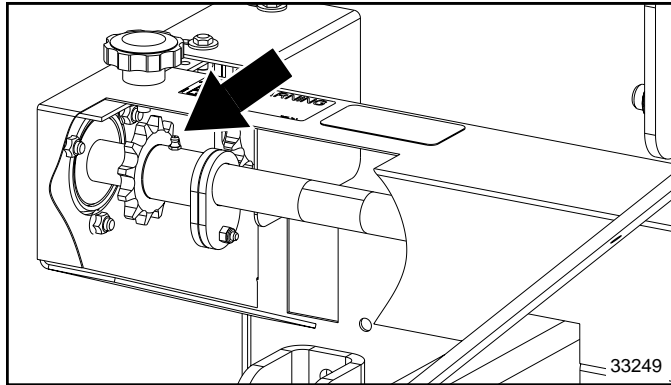
82 . . . . . Orange

85 . . . . . Black

For example, if you are ordering a replacement part with part number 555-555C and the existing part is orange, then add the suffix 82 to the end of the number to make the part number read 555-555C82.

### Lubrication

<b>Lubrication Legend</b>	Multi-purpose spray lube	Multi-purpose grease lube	Multi-purpose oil lube	<b>50 Hrs</b> Intervals in hours at which lubrication is required



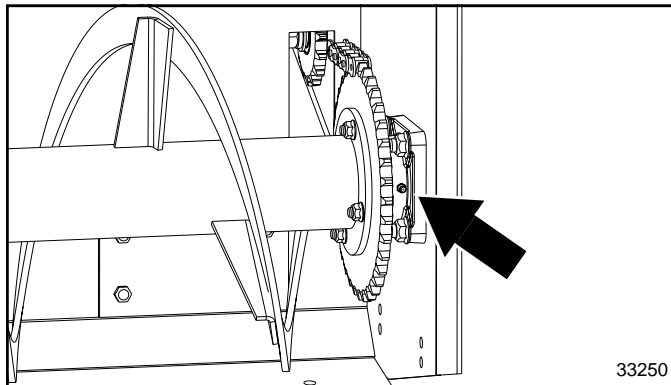
	<b>10 Hours</b>
--	-----------------

#### Shearbolt Sprocket Hub

1 - Zerk

Type of Lubrication: Multi-purpose Grease

Quantity = 2 Pumps



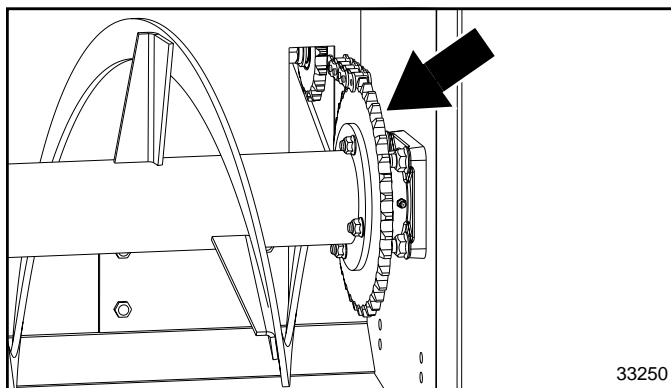
	<b>10 Hours</b>
--	-----------------

#### Auger Flange Bearings

2 - Zerks: Left Side Shown

Type of Lubrication: Multi-purpose Grease

Quantity = As needed

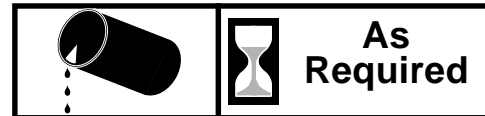
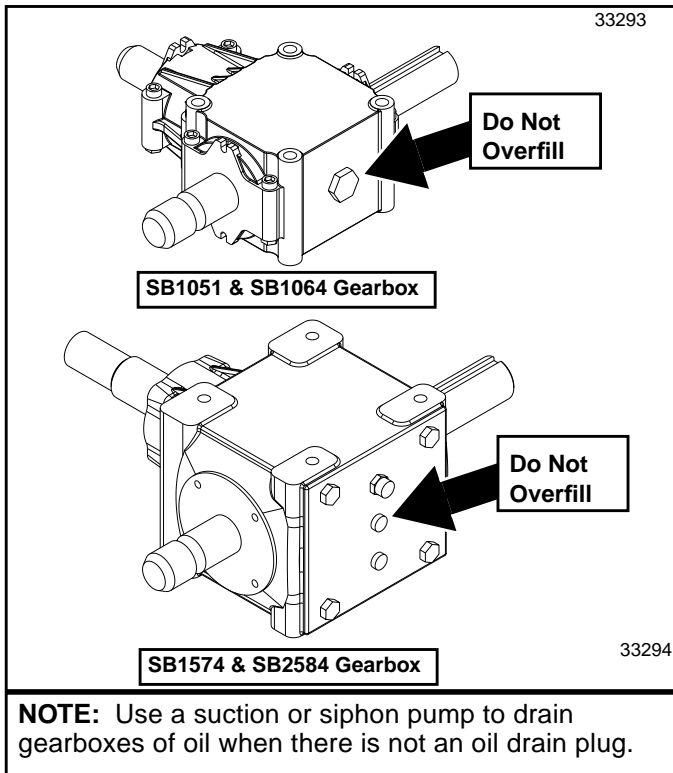


	<b>As Required</b>
--	--------------------

#### Drive Chain

Type of Lubrication: Commercial chain lubricant

Quantity = As needed. Be sure to lubricant drive chain just before storing Snow Blower.



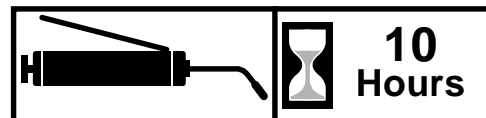
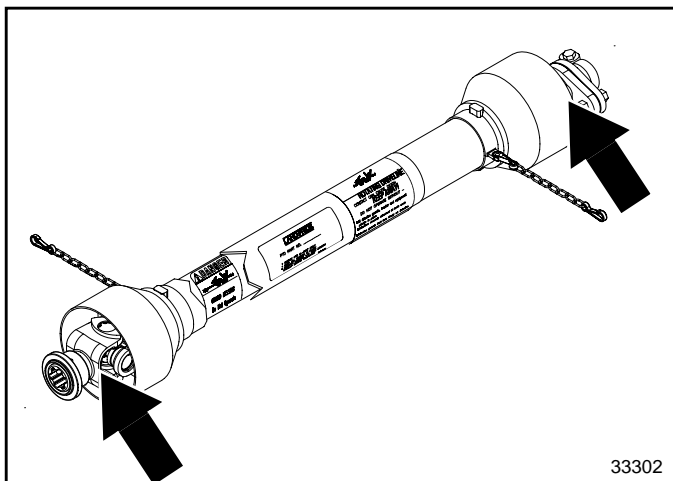
### Gearbox

**NOTE:** Do not overfill! Snow Blower should be level when checking oil. Oil expands when hot, therefore, always check oil level when cold.

Remove oil level plug shown with arrow. If oil is below bottom of plug hole, add recommended gear lube through oil level plug hole until oil flows out of the hole. Reinstall and tighten oil level plug.

Type of Lubrication: 80-90W EP Gear Lube

Quantity = Fill until oil begins to flow out of oil level plug hole in gearbox.



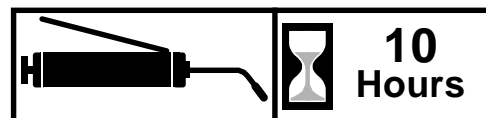
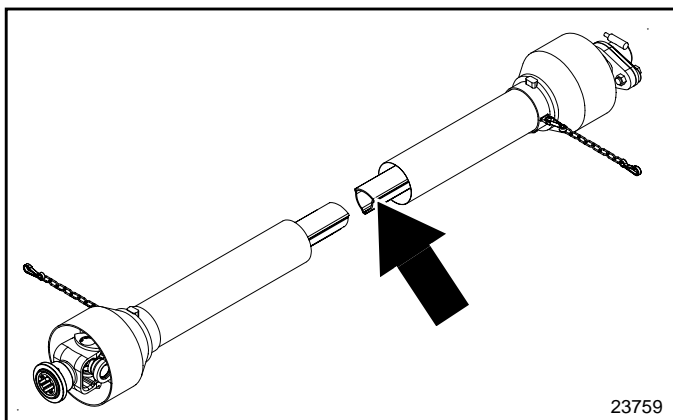
### Driveline U-joints

Driveline U-joint with grease every 8 hours of operation

2 - Zerks

Type of grease = Multi-Purpose

Quantity = Coat Generously



### Driveline Shaft

Disconnect driveline shaft from the tractor and slide apart. Clean and coat the inner tube of the driveline shaft with a light film of grease and then reassemble.

Type of grease = Multi-Purpose

Quantity = Coat Generously

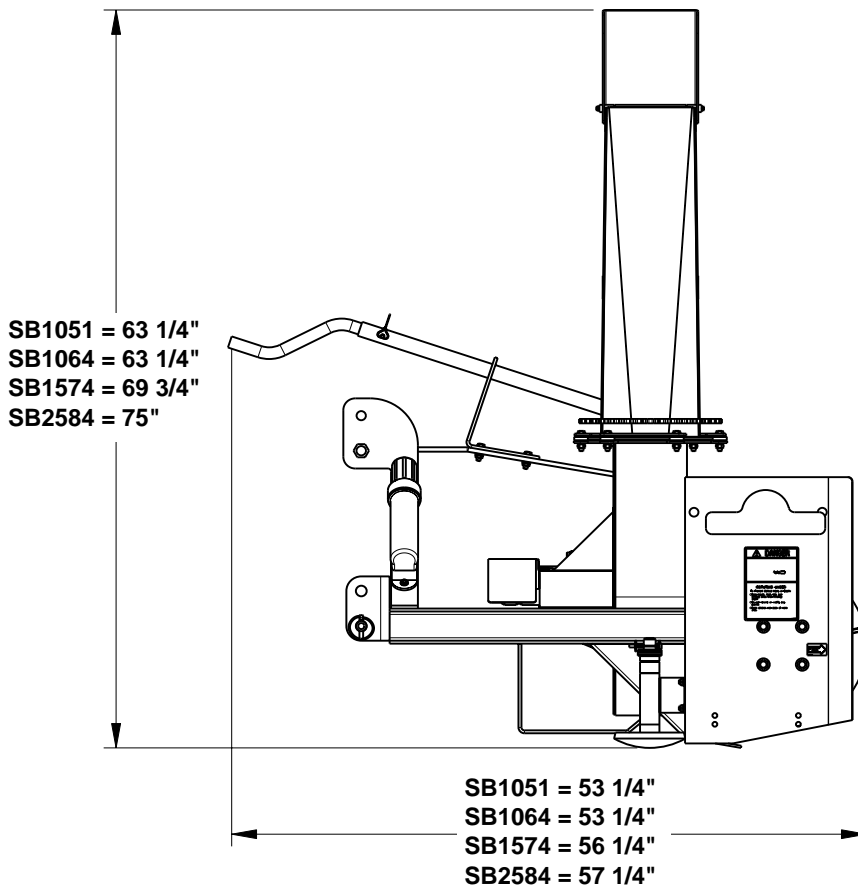
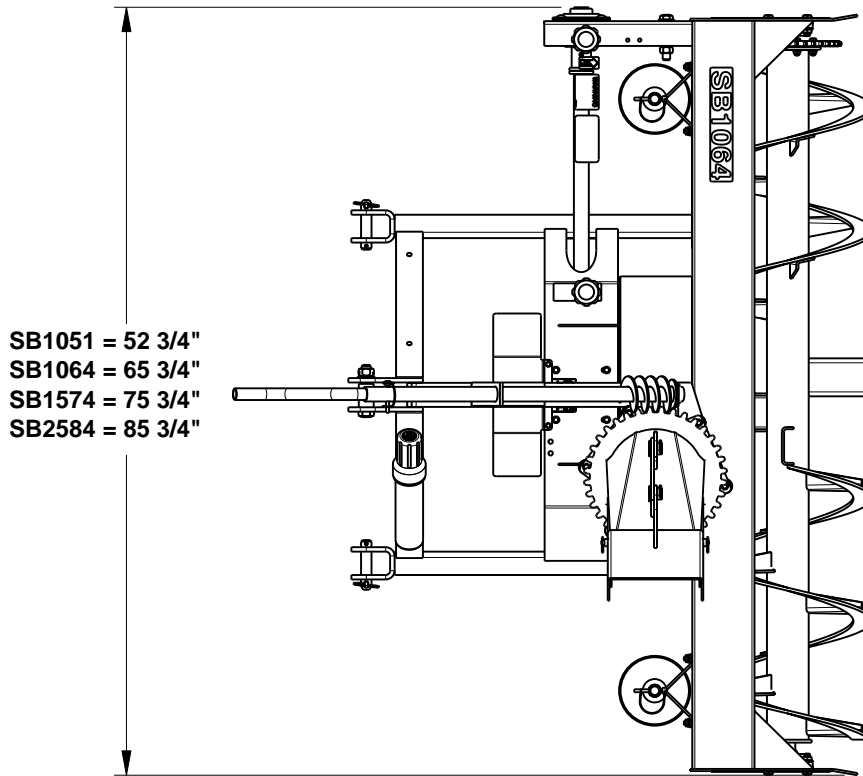
# Table of Contents

## Section 7: Specifications & Capacities



### SB10, SB15, & SB25 Series

List	Specifications & Capacities			
Model No.	Model SB1051	Model SB1064	Model SB1574	Model SB2584
Working Width	51"	64"	74"	84"
Overall Width	52 3/4"	65 3/4"	75 3/4"	85 3/4"
Weight	390 lbs.	501 lbs.	545 lbs.	875 lbs.
Tractor Horsepower	18-32 HP	18-59 HP	30-59 HP	43-105 HP
3-Point Hitch Category	Cat. I		Cat. I	Cat. I & II
Quick-Hitch Compatible	yes		yes	
Main Housing Material	12 Gauge		12 Gauge	
Side Plate Material	3/16"		3/16"	
Chute Opening At Base	8"	10"	10"	12"
Impeller Diameter	20"	24"	24"	
Impeller Housing Depth	6"	8"	8"	10"
Number of Impeller Blades	4		4	
Auger Diameter	14"	16"	16"	
Number of Auger Paddles	2	4	4	
Gearbox Oil Capacity & Type	1.06 Pints of SAE90W Gearlube		2.54 Pints of SAE 90W Gearlube	
Drive Chain	#60 RC		#60 RC	
Driveline Category	Cat. II, Shearbolt protected		Cat. III, Shearbolt protected	
Driveline Shearbolt Size	M8 x 50 C1.6.6		M8 x 50 C1.6.6	M10 x 60 C1.6.6
Drive Shaft Shearbolt Size	1/4" -20 Grade 5 bolt		1/4" -20 Grade 5 bolt	
Optional Equipment				
Cutting edge	Bolt-on, reversible, and replaceable harden steel full length			
Skid Shoes	Outer Skid Shoe	Bolt-on, Adjustable & replaceable		
	Outer Wear Bar	Bolt-on, Adjustable & replaceable		
	Button Style	Adjustable and replaceable, In-board rear mounted		
Chute Rotation	Sprocket & worm drive offered with manual, electric, or hydraulic operation.			
Chute Deflector	Offered with manual, electric, or hydraulic operation.			



33253



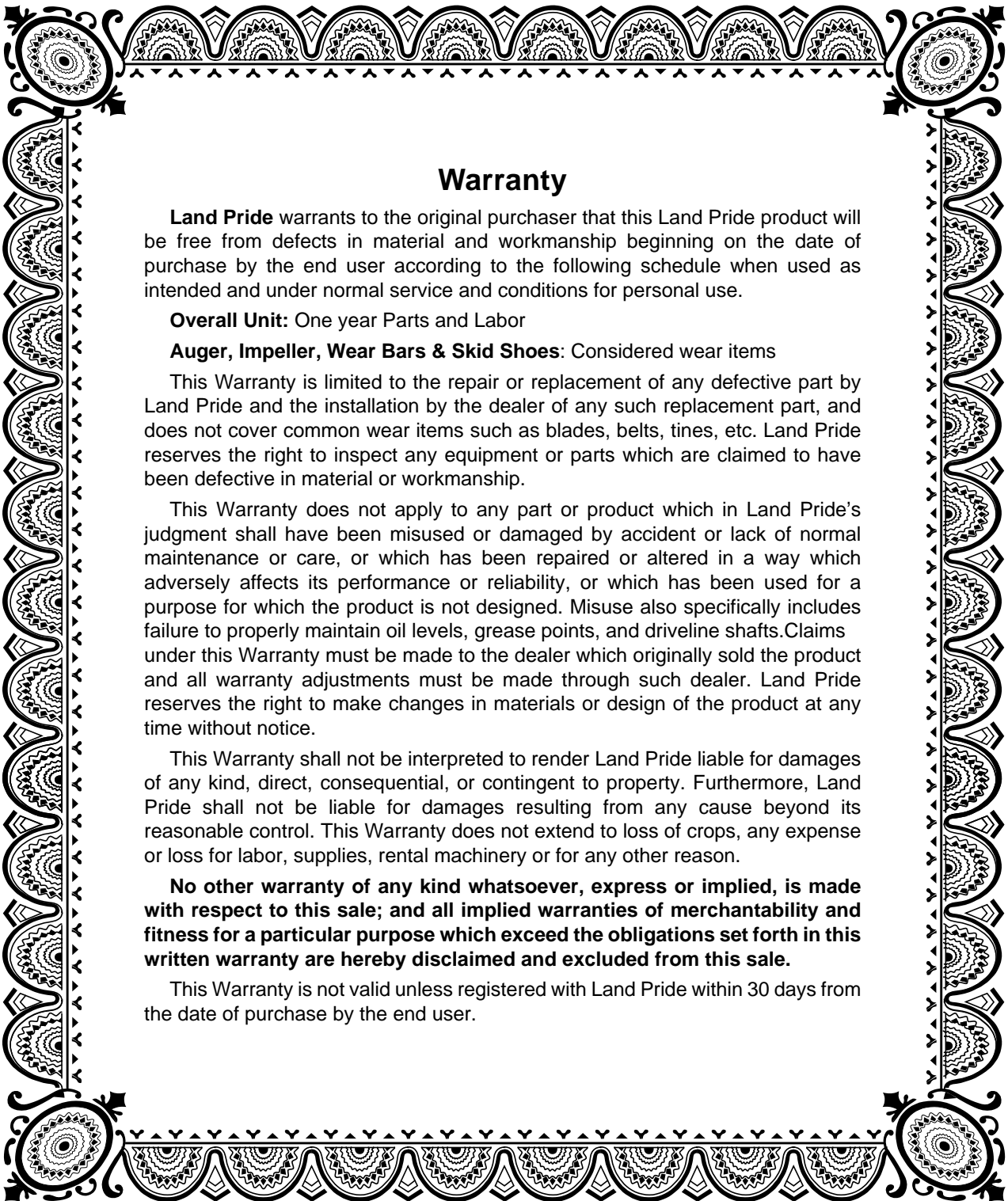
## SB10, SB15, & SB25 Series

Features	Benefits
<b>Quality Comer Gearbox</b>	Provides long life, durability construction.
<b>Greaseable bearings</b>	Less drag and extends life of unit.
<b>Large main housing</b>	Ability to handle large drifts.
<b>Large impeller diameter</b>	The ability to move and throw material farther.
Options	
<b>Bolt-on hardened steel, cutting edge</b>	Improves service life of the Snow Blower.
<b>Sprocket driven chute rotator</b>	Allows choice of three rotator options: manual drive, electric actuator, or hydraulic motor.
<b>Shearbolt protected impeller and auger</b>	Eliminates costly repairs.
<b>Three skid shoe options</b>	Multiple surfaces allows you to pick the correct skid shoe for your application.

Section 9: Torque Values Chart

Torque Values Chart for Common Bolt Sizes													
Bolt Size (inches)	Bolt Head Identification						Bolt Size (Metric)	Bolt Head Identification					
	Grade 2		Grade 5		Grade 8			Class 5.8		Class 8.8		Class 10.9	
in-tpi <sup>1</sup>	N · m <sup>2</sup>	ft-lb <sup>3</sup>	N · m	ft-lb	N · m	ft-lb	mm x pitch <sup>4</sup>	N · m	ft-lb	N · m	ft-lb	N · m	ft-lb
1/4" - 20	7.4	5.6	11	8	16	12	M 5 X 0.8	4	3	6	5	9	7
1/4" - 28	8.5	6	13	10	18	14	M 6 X 1	7	5	11	8	15	11
5/16" - 18	15	11	24	17	33	25	M 8 X 1.25	17	12	26	19	36	27
5/16" - 24	17	13	26	19	37	27	M 8 X 1	18	13	28	21	39	29
3/8" - 16	27	20	42	31	59	44	M10 X 1.5	33	24	52	39	72	53
3/8" - 24	31	22	47	35	67	49	M10 X 0.75	39	29	61	45	85	62
7/16" - 14	43	32	67	49	95	70	M12 X 1.75	58	42	91	67	125	93
7/16" - 20	49	36	75	55	105	78	M12 X 1.5	60	44	95	70	130	97
1/2" - 13	66	49	105	76	145	105	M12 X 1	90	66	105	77	145	105
1/2" - 20	75	55	115	85	165	120	M14 X 2	92	68	145	105	200	150
9/16" - 12	95	70	150	110	210	155	M14 X 1.5	99	73	155	115	215	160
9/16" - 18	105	79	165	120	235	170	M16 X 2	145	105	225	165	315	230
5/8" - 11	130	97	205	150	285	210	M16 X 1.5	155	115	240	180	335	245
5/8" - 18	150	110	230	170	325	240	M18 X 2.5	195	145	310	230	405	300
3/4" - 10	235	170	360	265	510	375	M18 X 1.5	220	165	350	260	485	355
3/4" - 16	260	190	405	295	570	420	M20 X 2.5	280	205	440	325	610	450
7/8" - 9	225	165	585	430	820	605	M20 X 1.5	310	230	650	480	900	665
7/8" - 14	250	185	640	475	905	670	M24 X 3	480	355	760	560	1050	780
1" - 8	340	250	875	645	1230	910	M24 X 2	525	390	830	610	1150	845
1" - 12	370	275	955	705	1350	995	M30 X 3.5	960	705	1510	1120	2100	1550
1-1/8" - 7	480	355	1080	795	1750	1290	M30 X 2	1060	785	1680	1240	2320	1710
1-1/8" - 12	540	395	1210	890	1960	1440	M36 X 3.5	1730	1270	2650	1950	3660	2700
1-1/4" - 7	680	500	1520	1120	2460	1820	M36 X 2	1880	1380	2960	2190	4100	3220
1-1/4" - 12	750	555	1680	1240	2730	2010	<sup>1</sup> in-tpi = nominal thread diameter in inches-threads per inch <sup>2</sup> N · m = newton-meters <sup>3</sup> ft-lb= foot pounds <sup>4</sup> mm x pitch = nominal thread diameter in millimeters x thread pitch						
1-3/8" - 6	890	655	1990	1470	3230	2380							
1-3/8" - 12	1010	745	2270	1670	3680	2710							
1-1/2" - 6	1180	870	2640	1950	4290	3160							
1-1/2" - 12	1330	980	2970	2190	4820	3560							
Torque tolerance + 0%, -15% of torquing values. Unless otherwise specified use torque values listed above.													
Additional Torque Values													
Drive Shaft Shear Bolt							8 ft-lbs (See page 29)						
SB10 & SB15 Driveline Shear Bolt							19 ft-lbs (See page 29)						
SB25 Driveline Shear Bolt							52 ft-lbs (See page 29)						





## Warranty

**Land Pride** warrants to the original purchaser that this Land Pride product will be free from defects in material and workmanship beginning on the date of purchase by the end user according to the following schedule when used as intended and under normal service and conditions for personal use.

**Overall Unit:** One year Parts and Labor

**Auger, Impeller, Wear Bars & Skid Shoes:** Considered wear items

This Warranty is limited to the repair or replacement of any defective part by Land Pride and the installation by the dealer of any such replacement part, and does not cover common wear items such as blades, belts, tines, etc. Land Pride reserves the right to inspect any equipment or parts which are claimed to have been defective in material or workmanship.

This Warranty does not apply to any part or product which in Land Pride's judgment shall have been misused or damaged by accident or lack of normal maintenance or care, or which has been repaired or altered in a way which adversely affects its performance or reliability, or which has been used for a purpose for which the product is not designed. Misuse also specifically includes failure to properly maintain oil levels, grease points, and driveline shafts. Claims under this Warranty must be made to the dealer which originally sold the product and all warranty adjustments must be made through such dealer. Land Pride reserves the right to make changes in materials or design of the product at any time without notice.

This Warranty shall not be interpreted to render Land Pride liable for damages of any kind, direct, consequential, or contingent to property. Furthermore, Land Pride shall not be liable for damages resulting from any cause beyond its reasonable control. This Warranty does not extend to loss of crops, any expense or loss for labor, supplies, rental machinery or for any other reason.

**No other warranty of any kind whatsoever, express or implied, is made with respect to this sale; and all implied warranties of merchantability and fitness for a particular purpose which exceed the obligations set forth in this written warranty are hereby disclaimed and excluded from this sale.**

This Warranty is not valid unless registered with Land Pride within 30 days from the date of purchase by the end user.

**IMPORTANT:** The Online Warranty Registration should be completed by the dealer at the time of purchase. This information is necessary to provide you with quality customer service.

**Model Number** \_\_\_\_\_

**Serial Number** \_\_\_\_\_



Corporate Office: P.O. Box 5060  
Salina, Kansas 67402-5060 USA  
[www.landpride.com](http://www.landpride.com)

## Free Manuals Download Website

<http://myh66.com>

<http://usermanuals.us>

<http://www.somanuals.com>

<http://www.4manuals.cc>

<http://www.manual-lib.com>

<http://www.404manual.com>

<http://www.luxmanual.com>

<http://aubethermostatmanual.com>

Golf course search by state

<http://golfingnear.com>

Email search by domain

<http://emailbydomain.com>

Auto manuals search

<http://auto.somanuals.com>

TV manuals search

<http://tv.somanuals.com>