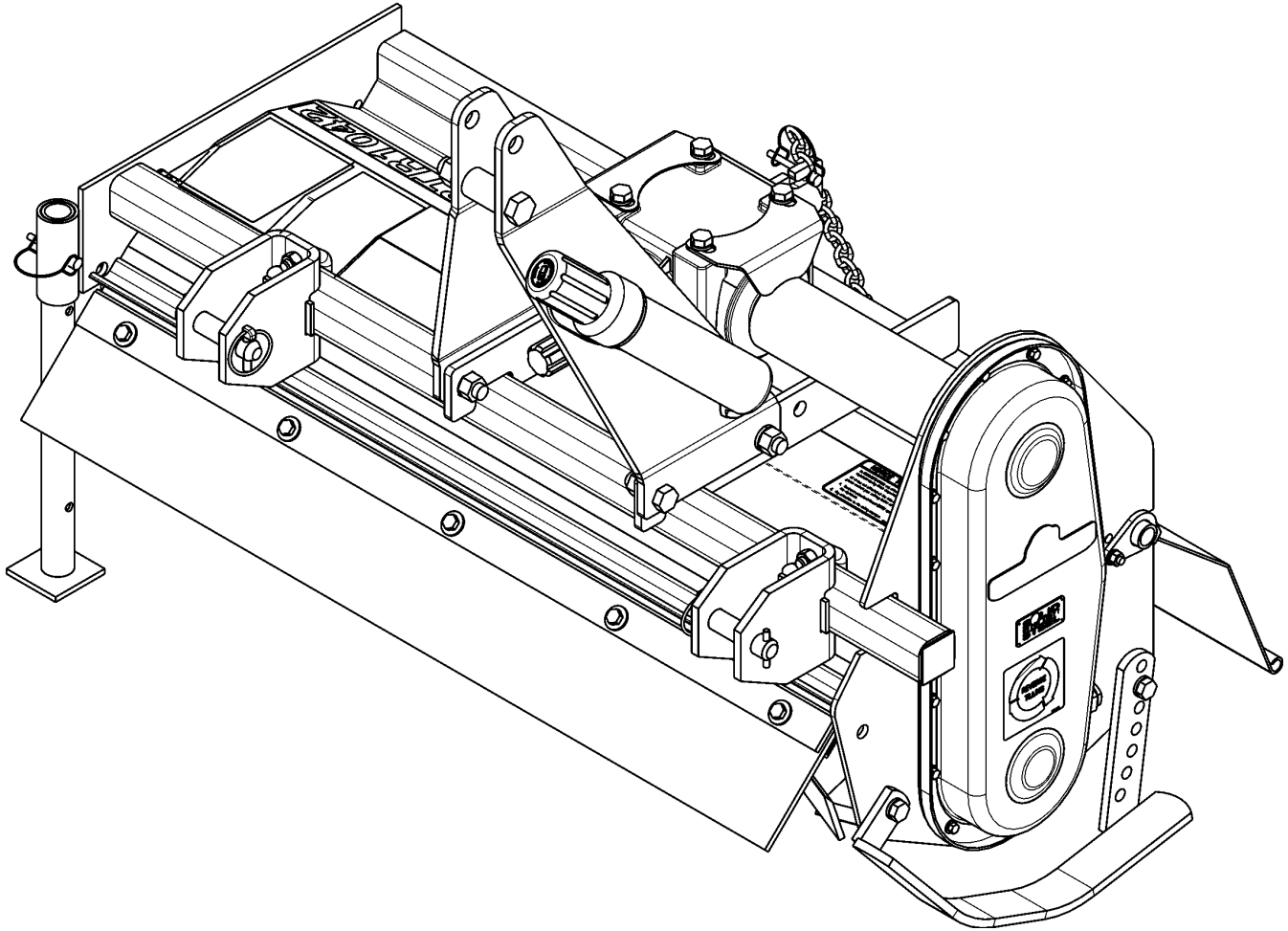


# Rotary Tillers

## RTR10 and RTR15 Series



22245

### **311-431P** **Parts Manual**



Read the Operator's manual entirely. When you see this symbol, the subsequent instructions and warnings are serious - follow without exception. Your life and the lives of others depend on it!

© Copyright 2008 Printed 09/10/08

Cover photo may show optional equipment not supplied with standard unit.





# Table of Contents

---

**Section 1: Introduction.....4**  
 Using This Manual.....4  
 Manual Replacement Information.....4  
 Manual Revisions.....4  
 Touch-up Paint.....4  
 Hardware Legend.....5  
 Replacement Hardware.....5  
 Serial Numbers.....5  
 Part Number Service Coding.....5

## RTR10 SERIES

**Section 2: Frames.....6**  
 Frame Components.....6  
 Front & Rear Deflector.....10  
**Section 3: Rotor Drive.....12**  
 Rotor Assembly.....12  
 Rotor Drive.....14  
**Section 4: Gearboxes.....17**  
 Gearbox (826-016C) Comer.....18  
**Section 5: Drivelines.....20**  
 Driveline (826-015C) Walterscheid.....20  
 Driveline (826-257C) Eurocardan.....22  
 Driveline Slip Clutch (053314).....24  
**Section 6: Labels.....26**  
 Label Placement.....26

## RTR15 SERIES

**Section 2: Frames.....28**  
 Frame Components.....28  
 Front & Rear Deflector.....32  
**Section 3: Rotor Drive.....34**  
 Gearbox Mounting & Driveshaft.....34  
 Rotor Assembly.....36  
 Rotor Drive.....38  
**Section 4: Gearboxes.....40**  
 Gearbox (826-016C) Comer.....40  
**Section 5: Drivelines.....42**  
 Driveline (826-023C) Eurocardan.....42  
 Driveline (826-024C) Walterscheid.....44  
 Driveline Slip Clutch (053331) Walterscheid.....46  
**Section 6: Labels.....48**  
 Label Placement.....48

**Part Number Index.....50**

© Copyright 2008. All rights reserved.

Land Pride provides this publication “as is” without warranty of any kind, either expressed or implied. While every precaution has been taken in the preparation of this manual, Land Pride assumes no responsibility for errors or omissions. Neither is any liability assumed for damages resulting from the use of the information contained herein. Land Pride reserves the right to revise and improve its products as it sees fit. This publication describes the state of this product at the time of its publication, and may not reflect the product in the future. The illustrations in this manual are not intended for safe and proper assembly or disassembly of equipment. The illustrations are intended for ordering parts only.

Land Pride is registered trademark.

All other brands and product names are trademarks or registered trademarks of their respective holders.

*Printed in the United States of America.*



# Alphabetized Table of Contents

---

## RTR10 SERIES

<b>D</b>	
Driveline (826-015C) Walterscheid.....	20
Driveline (826-257C) Eurocardan.....	22
Driveline Slip Clutch (053314).....	24
<b>F</b>	
Frame Components.....	6
Front & Rear Deflector.....	10
<b>G</b>	
Gearbox (826-016C) Comer.....	18
<b>L</b>	
Label Placement.....	26
<b>R</b>	
Rotor Assembly.....	12
Rotor Drive.....	14

## RTR15 SERIES

<b>D</b>	
Driveline (826-023C) Eurocardan.....	42
Driveline (826-024C) Walterscheid.....	44
Driveline Slip Clutch (053331) Walterscheid.....	46
<b>F</b>	
Frame Components.....	28
Front & Rear Deflector.....	32
<b>G</b>	
Gearbox (826-016C) Comer.....	40
Gearbox Mounting & Driveshaft.....	34
<b>L</b>	
Label Placement.....	48
<b>R</b>	
Rotor Assembly.....	36
Rotor Drive.....	38

# General Information

## Using This Manual

This manual is divided into sections. The first section contains General Information. The remaining sections divide the machine into segments (i.e. Frames, Drives, Hydraulics, etc.) which illustrate and list all parts. A Parts Number Index is located at the back of the book.

The Land Pride parts in this manual are specially designed for this machine and should be replaced with Land Pride parts only.

The information in this manual is current at time of printing. Some parts may change to assure top performance.

Right-hand and left-hand as used in this manual are determined by facing the direction the machine will travel while in use.

Below is an example of two facing pages from a parts manual. Familiarize yourself with the type of information contained on these pages.

## Manual Replacement Information

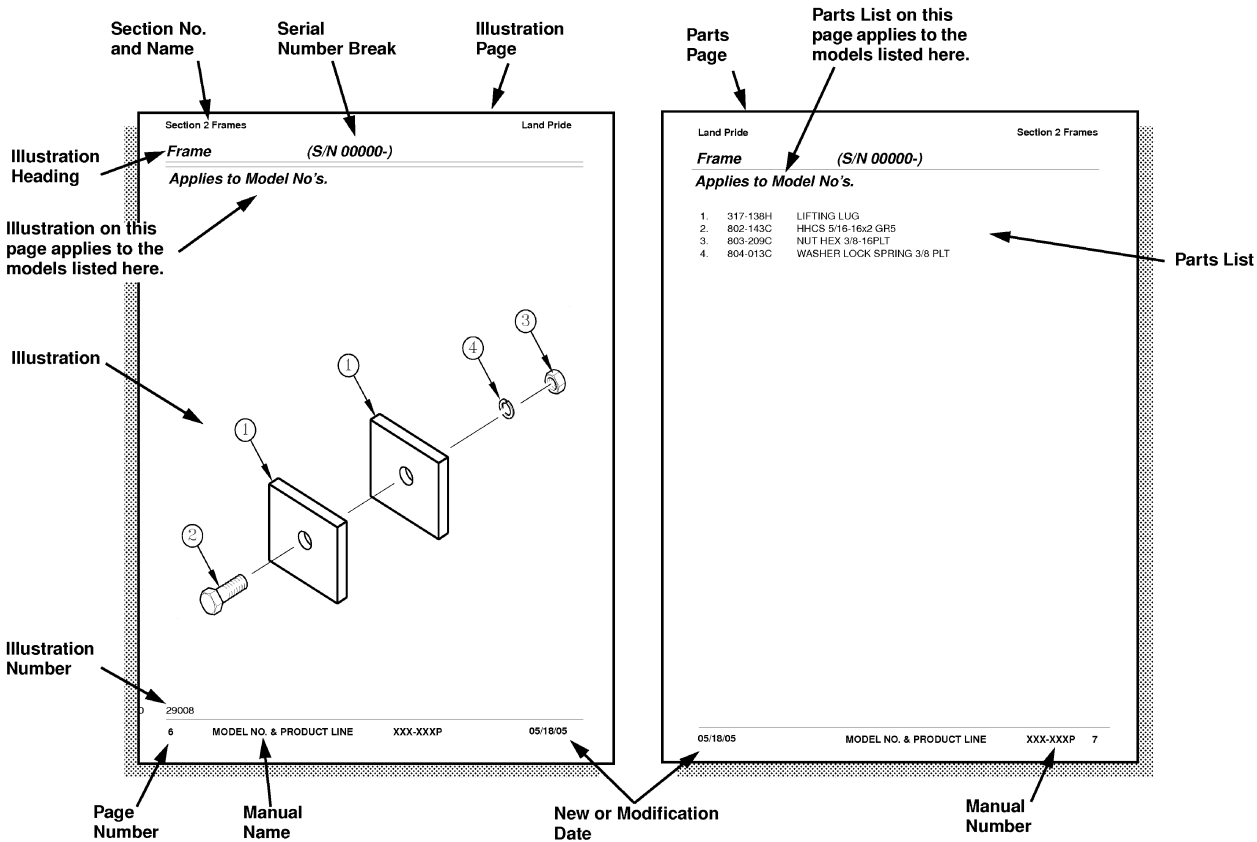
Replacement manuals are available. Refer to our website at [www.landpride.com](http://www.landpride.com) or e-mail us at [lit@landpride.com](mailto:lit@landpride.com) for additional information. Our website continues to provide the most up-to-date manuals available.

## Touch-up Paint

Repaint parts where paint is worn or scratched to prevent rust. Aerosol cans and touch-up bottles with brush applicator are available through your local dealer. Land Pride color descriptions and part numbers are listed below. Also available are quart and gallon size paints. Add QT or GL to end of the Aerosol P/N.

Color	Product <sup>1</sup>	Aerosol	Touch-Up
Gloss Black	LP	821-032C	821-032CTU
Medium Gloss Black	UV	821-053C	821-053CTU
Beige	LP	821-011C	821-011CTU
Green	SLP	821-058C	821-058CTU
Orange	SLP	821-066C	821-066CTU
Red	SLP/UV	821-054C	821-054CTU
Blue	SLP/UV	821-067C	821-067CTU
Dark Green Sparkle	UV	821-055C	821-055CTU
Gondo Forest Green	UV	821-057C	821-057CTU
Brite Yellow <sup>2</sup>	UV	821-056C	821-056CTU
Gondo Yellow <sup>3</sup>	UV	821-059C	821-059CTU

- Notes:
- 1 LP = All Land Pride Products except Utility Vehicles  
SLP = Select Land Pride Products that are available in optional Green, Orange, Red, & Blue colors.  
UV = Utility Vehicles
  - 2 Used on Trekkers and (Runabouts with S/N 407628-)
  - 3 Used on Gondos and (Runabouts with S/N 407629+)



## General Information

### Hardware Legend

<b>AR</b>	As Required
<b>BLADE</b>	Blade Bolt
<b>C</b>	Cap Screw
<b>CP</b>	Cotter Pin
<b>CPHSSS</b>	Cup Point Hex Socket Set Screw
<b>CPSHSS</b>	Cup Point Square Head Set Screw
<b>CPSQHSS</b>	Cup Point Square Head Set Screw
<b>CRFCHMS3</b>	Cross Recess Flat Countersunk Head Machine Screw
<b>CRPHMS</b>	Cross Recess Pan Head Machine Screw
<b>CRPHTF</b>	Cross Recess Pan Head Thread Forming
<b>CRRHMS</b>	Cross Recess Round Head Machine Screw
<b>CRTHMS</b>	Cross Recess Truss Head Machine Screw
<b>CSNB</b>	Countersunk Square Neck Bolt
<b>FHMS</b>	Flat Head Machine Screw
<b>FTC</b>	Full Thread Cap Screw
<b>H</b>	Hex Nut
<b>HCLN</b>	Hex Center Lock Nut
<b>HFLCS</b>	Hex Flange Lock Cap Screw
<b>HFS</b>	Hex Flange Screw
<b>HFSLN</b>	Hex Flange Serrated Lock Nut
<b>HFSS</b>	Hex Flange Serrated Screw
<b>HHCS</b>	Hex Head Cap Screw or Metric Bolt
<b>HSBHCS</b>	Hex Socket Button Head Cap Screw
<b>HSFCHCS</b>	Hex Socket Flat Countersunk Head Cap Screw
<b>HSHCS</b>	Hex Socket Head Cap Screw
<b>HSSS</b>	Hex Socket Head Screw
<b>HTLN</b>	Hex Top Lock Nut
<b>HWHCS</b>	Hex Washer Head Cap Screw

<b>HWHMS</b>	Hex Washer Head Machine Screw
<b>HXBHCS</b>	Hex Socket Button Head Cap Screw
<b>J</b>	Hex Jam Nut
<b>JIC</b>	37 Degree Tapered Thread
<b>L</b>	Helical Spring Lock Washer
<b>LUG</b>	Lug Bolt
<b>NFC</b>	National Fine Cap Screw
<b>NPSM</b>	National Pipe Straight Mechanical
<b>NPTF</b>	National Pipe Taper Fuel
<b>P</b>	Wide Plain Washer
<b>PHMS</b>	Pan Head Machine Screw
<b>PLOW</b>	Plow Bolt
<b>RHMS</b>	Round Head Machine Screw
<b>RHSNB</b>	Round Head Square Neck Bolt
<b>SCREW LEVELING</b>	Leveling Screw
<b>SCREW THUMB</b>	Thumb Screw
<b>SCREW WELD</b>	Weld Screw
<b>SFCHMS</b>	Slotted Flat Countersunk Head Machine Screw
<b>SFHMS</b>	Slotted Fillister Head Machine Screw
<b>SP</b>	Special
<b>SP SCREW</b>	Special Screw
<b>SQHSS</b>	Square Head Set Screw
<b>SRHMS</b>	Slotted Round Head Machine Screw
<b>SSS</b>	Socket Set Screw
<b>STCS</b>	Self Tapping Cap Screw
<b>STHMS</b>	Slotted Truss Head Machine Screw
<b>WHEEL</b>	Wheel Studs and Hub Long Bolts
<b>WING</b>	Wing Bolt

### Replacement Hardware

The **Hardware Legend** above lists hardware abbreviations used in the parts list. All bolts and nuts are Grade 5 unless otherwise noted. The use of improper grades of hardware can result in personal injury, damage to equipment, or loss of property.

### Colored Replacement Parts

Land Pride offers replacement parts in factory standard colors and also on select models in Green, Orange, Red and Blue. Because of the variety of colors available, special attention must be given to the part number to prevent ordering the wrong replacement part.

A suffix number corresponding to one of the colors below must be added at the end of Land Pride's part number when ordering a replacement part with that color.

**81** ..... **Green**      **83** ..... **Red**  
**82** ..... **Orange**      **84** ..... **Blue**

For example, if you are ordering a replacement part with part number 555-555C and the part you need is red, then add the suffix 83 to the end of the number to make the part number read 555-555C83. Parts ordered without a suffix number will be supplied in factory standard colors.

### Black Replacement Parts

Some parts are factory standard black and some must be special ordered black. If your part is special ordered black, a second part number with the additional suffix number 85 on the end will be available. In this situation you must order that part with the suffix number for it to be black. Parts that are factory standard black will not have the suffix number.

### Part Number Service Coding

Within the parts list some part numbers are coded for revisions and interchangeability. See notations in revision column.

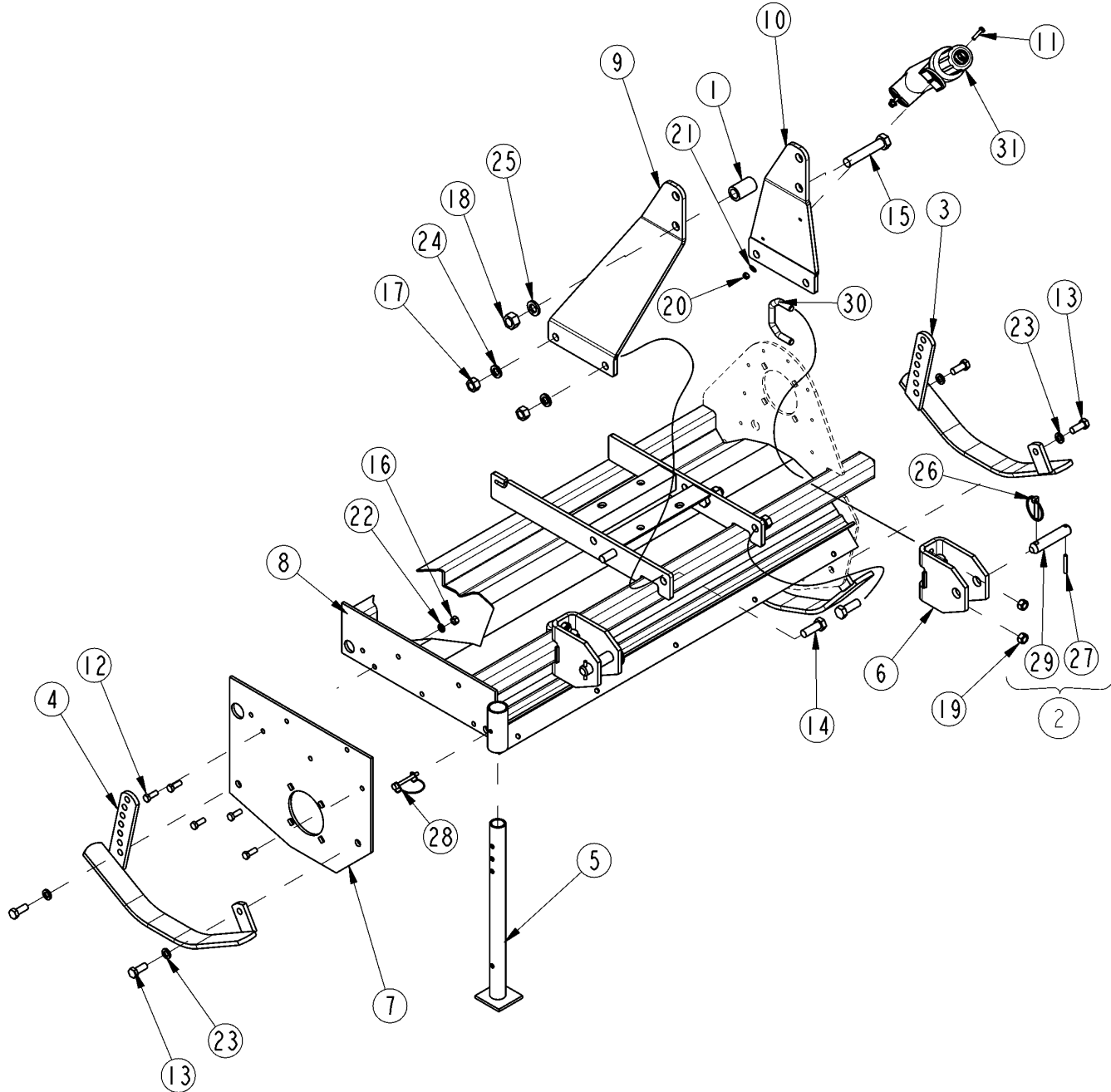
### Serial Numbers

Always use the serial and model number when ordering parts. Refer to the Operator's Manual for serial number plate location.

- |                      |  |
|----------------------|--|
| (S/N 20001+)         | Includes serial numbers 20001 and above (to the latest number)   |
| (S/N 10001 to 20000) | Includes serial numbers between and including 10001 and 20000    |
| (S/N 10000-)         | Includes serial numbers 10000 and below (to the earliest number) |

# Frame Components

Applies to RTR1042, RTR1050, RTR1058



22298

## Frame Components

### Applies to RTR1042, RTR1050, RTR1058

Ref	Part No.	Part Description	Comments	Revision
	dwg22298	Drawing Image Number		
1.	308-400D	SPACER 1 1/4OD X 25/32ID X 2LG		
2.	310-020S	LOWER HITCH PIN		
3.	311-006H	LH SKIDSHOE RTA10/15/20 RTR20		
3.	311-006H81	LH SKIDSHOE RTA10/15/20 RTR20 GREEN		
3.	311-006H82	LH SKIDSHOE RTA10/15/20 RTR20 ORANGE		
3.	311-006H83	LH SKIDSHOE RTA10/15/20 RTR20 RED		
3.	311-006H84	LH SKIDSHOE RTA10/15/20 RTR20 BLUE		
4.	311-007H	RH SKIDSHOE RTA10/15/20 RTR20		
4.	311-007H81	RH SKIDSHOE RTA10/15/20 RTR20 GREEN		
4.	311-007H82	RH SKIDSHOE RTA10/15/20 RTR20 ORANGE		
4.	311-007H83	RH SKIDSHOE RTA10/15/20 RTR20 RED		
4.	311-007H84	RH SKIDSHOE RTA10/15/20 RTR20 BLUE		
5.	311-014H	STAND LEG RTA10/15/20 RTR20		
5.	311-014H81	STAND LEG RTA10/15/20 RTR20 GREEN		
5.	311-014H82	STAND LEG RTA10/15/20 RTR20 ORANGE		
5.	311-014H83	STAND LEG RTA10/15/20 RTR20 RED		
5.	311-014H84	STAND LEG RTA10/15/20 RTR20 BLUE		
6.	311-418H	LOWER HITCH WELDMENT	S/N 448120+	
6.	311-418H81	LOWER HITCH WELDMENT GREEN		
6.	311-418H82	LOWER HITCH WELDMENT ORANGE		
6.	311-418H83	LOWER HITCH WELDMENT RED		
6.	311-418H84	LOWER HITCH WELDMENT BLUE		
6.	311-582D	LOWER HITCH BRACKET	S/N 448119-	
7.	311-423H	END PLATE WELDMENT RH		
7.	311-423H81	END PLATE WELDMENT RH GREEN		
7.	311-423H82	END PLATE WELDMENT RH ORANGE		
7.	311-423H83	END PLATE WELDMENT RH RED		
7.	311-423H84	END PLATE WELDMENT RH BLUE		
8.	311-427H	FRAME WELDMENT RTR1042		
8.	311-427H81	FRAME WELDMENT RTR1042 GREEN		
8.	311-427H82	FRAME WELDMENT RTR1042 ORANGE		
8.	311-427H83	FRAME WELDMENT RTR1042 RED		
8.	311-427H84	FRAME WELDMENT RTR1042 BLUE		
8.	311-444H	FRAME WELDMENT RTR1050		
8.	311-444H81	FRAME WELDMENT RTR1050 GREEN		
8.	311-444H82	FRAME WELDMENT RTR1050 ORANGE		
8.	311-444H83	FRAME WELDMENT RTR1050 RED		
8.	311-444H84	FRAME WELDMENT RTR1050 BLUE		
8.	311-448H	FRAME WELDMENT RTR1058		
8.	311-448H81	FRAME WELDMENT RTR1058 GREEN		
8.	311-448H82	FRAME WELDMENT RTR1058 ORANGE		
8.	311-448H83	FRAME WELDMENT RTR1058 RED		
8.	311-448H84	FRAME WELDMENT RTR1058 BLUE		
9.	311-538D	HITCH PLATE UPPER RH		
9.	311-538D81	HITCH PLATE UPPER RH GREEN		
9.	311-538D82	HITCH PLATE UPPER RH ORANGE		
9.	311-538D83	HITCH PLATE UPPER RH RED		
9.	311-538D84	HITCH PLATE UPPER RH BLUE		
10.	311-539D	HITCH PLATE UPPER LH		
10.	311-539D81	HITCH PLATE UPPER LH GREEN		
10.	311-539D82	HITCH PLATE UPPER LH ORANGE		
10.	311-539D83	HITCH PLATE UPPER LH RED		
10.	311-539D84	HITCH PLATE UPPER LH BLUE		
11.	802-005C	HHCS 1/4-20X1 GR5	S/N 544081+	
12.	802-017C	HHCS 3/8-16X1 GR5		
13.	802-034C	HHCS 1/2-13X1 1/4 GR5		
14.	802-053C	HHCS 5/8-11X1 3/4 GR5		

**Frame Components (continued)**

**Applies to RTR1042, RTR1050, RTR1058**

<b>Ref</b>	<b>Part No.</b>	<b>Part Description</b>	<b>Comments</b>	<b>Revision</b>
15.	802-068C	HHCS 3/4-10X4 GR5		
16.	803-014C	NUT HEX 3/8-16 PLT		
17.	803-021C	NUT HEX 5/8-11 PLT		
18.	803-027C	NUT HEX 3/4-10 PLT		
19.	803-147C	NUT HEX NYLOCK 1/2-13	S/N 448120+	
19.	803-209C	NUT FLANGE LOCK 3/8-16 PLT	S/N 448119-	
20.	803-255C	NUT HEX NYLOCK 1/4-20	S/N 544081+	
21.	804-007C	WASHER FLAT 1/4 SAE PLT	S/N 544081+	
22.	804-013C	WASHER LOCK SPRING 3/8 PLT		
23.	804-015C	WASHER LOCK SPRING 1/2 PLT		
24.	804-022C	WASHER LOCK SPRING 5/8 PLT		
25.	804-023C	WASHER LOCK SPRING 3/4 PLT		
26.	805-015C	PIN LYNCH 5/16 X 1 3/4		
27.	805-041C	PIN ROLL 1/4X1 3/4		
28.	805-065C	PIN WIRE RETAINING 1/4 X 1 3/4		
29.	805-198C	PIN LOWER HITCH 7/8X3 1/16USBL		
30.	806-048C	U-BOLT 1/2-13 X2 7/8X2 1/16SPL	S/N 448120+	
30.	806-166C	U-BOLT 3/8-16 X 2 1/32 X 3	S/N 448119-	
31.	816-504C	MANUAL STORAGE CONTAINER	S/N 544081+	



## ***Frame Components (continued)***

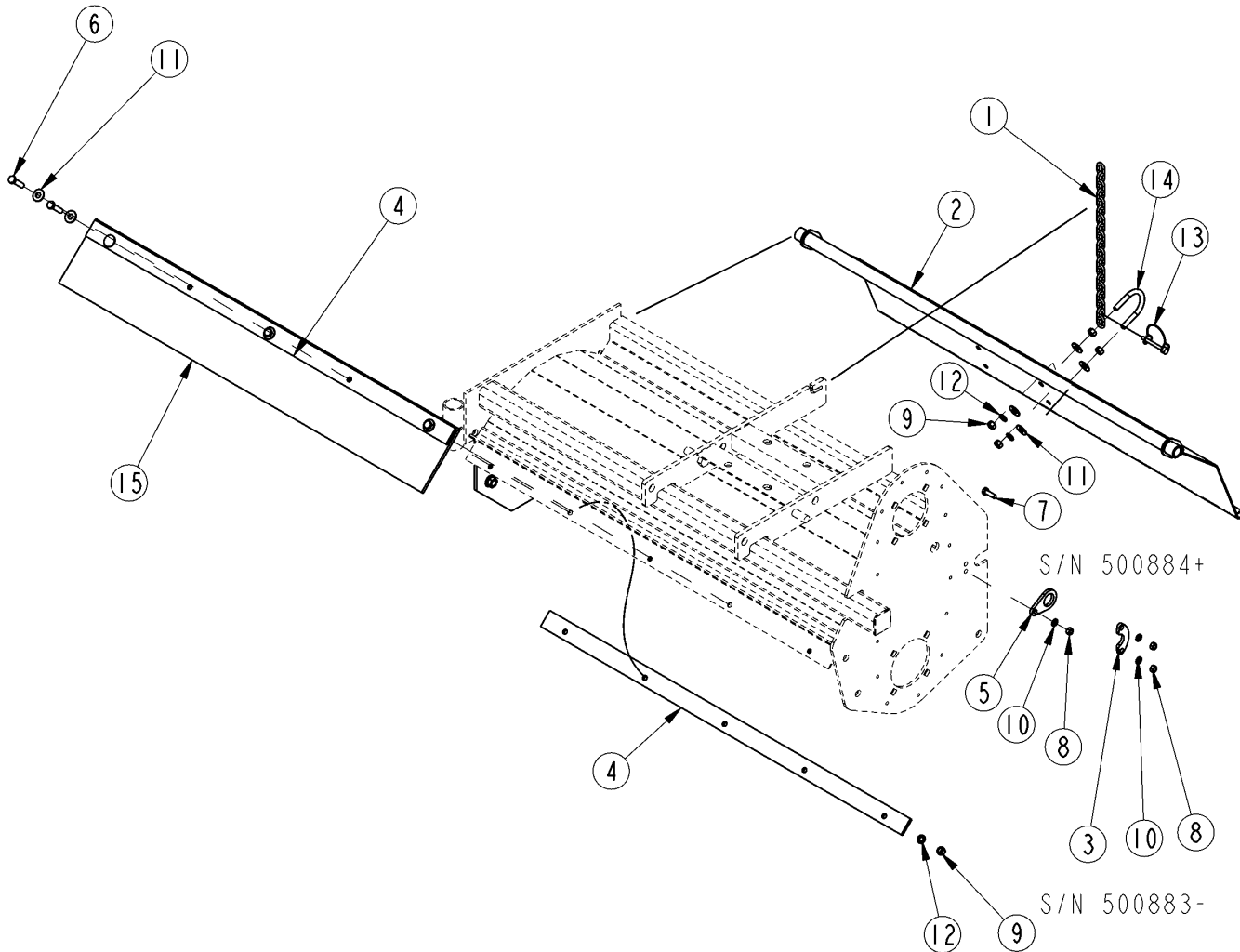
---

Applies to RTR1042, RTR1050, RTR1058

***This Page Intentionally Left Blank***

### Front & Rear Deflector

Applies to RTR1042, RTR1050, RTR1058



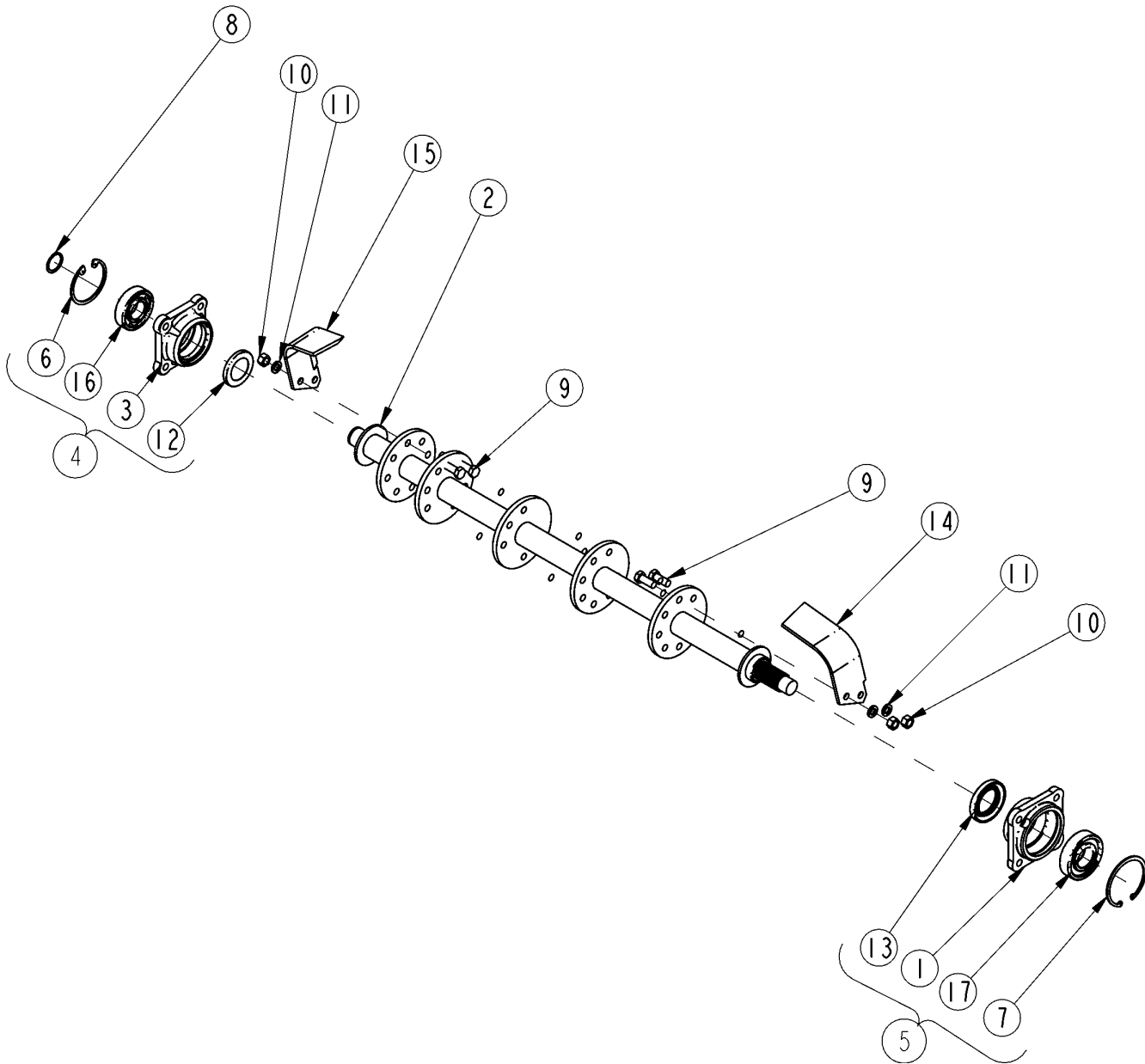
22300

**Front & Rear Deflector****Applies to RTR1042, RTR1050, RTR1058**

Ref	Part No.	Part Description	Comments	Revision
	dwg22300	Drawing Image Number		
1.	311-077D	REAR DEFLECTOR CHAIN 10/15		
2.	311-430H	TAILGATE WELDMENT RTR1042	S/N 515788+	
2.	311-430H81	TAILGATE WELDMENT RTR1042 GREEN		
2.	311-430H82	TAILGATE WELDMENT RTR1042 ORANGE		
2.	311-430H83	TAILGATE WELDMENT RTR1042 RED		
2.	311-430H84	TAILGATE WELDMENT RTR1042 BLUE		
2.	311-422H	RPBY 311-430H	S/N 515787- Requires U-Bolt & Hardware	
2.	311-422H81	RPBY 311-430H 81	Requires U-Bolt & Hardware	
2.	311-422H82	RPBY 311-430H 82	Requires U-Bolt & Hardware	
2.	311-422H83	RPBY 311-430H 83	Requires U-Bolt & Hardware	
2.	311-422H84	RPBY 311-430H 84	Requires U-Bolt & Hardware	
2.	311-445H	TAILGATE WELDMENT RTR1050	S/N 515788+	
2.	311-445H81	TAILGATE WELDMENT RTR1050 GREEN		
2.	311-445H82	TAILGATE WELDMENT RTR1050 ORANGE		
2.	311-445H83	TAILGATE WELDMENT RTR1050 RED		
2.	311-445H84	TAILGATE WELDMENT RTR1050 BLUE		
2.	311-442H	RPBY 311-445H	S/N 515787- Requires U-Bolt & Hardware	
2.	311-442H81	RPBY 311-445H81	Requires U-Bolt & Hardware	
2.	311-442H82	RPBY 311-445H82	Requires U-Bolt & Hardware	
2.	311-442H83	RPBY 311-445H83	Requires U-Bolt & Hardware	
2.	311-442H84	RPBY 311-445H84	Requires U-Bolt & Hardware	
2.	311-449H	TAILGATE WELDMENT RTR1058	S/N 515788+	
2.	311-449H81	TAILGATE WELDMENT RTR1058 GREEN		
2.	311-449H82	TAILGATE WELDMENT RTR1058 ORANGE		
2.	311-449H83	TAILGATE WELDMENT RTR1058 RED		
2.	311-449H84	TAILGATE WELDMENT RTR1058 BLUE		
2.	311-417H	RPBY 311-449H	S/N 515787- Requires U-Bolt & Hardware	
2.	311-417H81	RPBY 311-449H81	Requires U-Bolt & Hardware	
2.	311-417H82	RPBY 311-449H82	Requires U-Bolt & Hardware	
2.	311-417H83	RPBY 311-449H83	Requires U-Bolt & Hardware	
2.	311-417H84	RPBY 311-449H84	Requires U-Bolt & Hardware	
3.	311-553D	TAILGATE HOLDER		
4.	311-565D	FRONT DEFLECTOR MOUNT BAR RTR1042		
4.	311-577D	FRONT DEFLECTOR MOUNT BAR RTR1050		
4.	311-566D	FRONT DEFLECTOR MOUNT BAR RTR1058		
5.	311-663D	TAILGATE LOCK 10 & 15 SERIES		
6.	802-022C	HHCS 3/8-16X1 1/2 GR5		
7.	802-738C	HHCS 5/16-18X1 GR5 YELLOW DI		
8.	803-008C	NUT HEX 5/16-18 PLT		
9.	803-014C	NUT HEX 3/8-16 PLT		
10.	804-009C	WASHER LOCK SPRING 5/16 PLT		
11.	804-011C	WASHER FLAT 3/8 USS PLT		
12.	804-013C	WASHER LOCK SPRING 3/8 PLT		
13.	805-065C	PIN WIRE RETAINING 1/4 X 1 3/4	S/N 515787-	
14.	806-049C	U-BOLT 3/8-16 X2 1/32X2 5/8SPL	S/N 515788+	
15.	816-463C	FRONT DEFLECTOR RTR1042		
15.	816-472C	FRONT DEFLECTOR RTR1050		
15.	816-462C	FRONT DEFLECTOR RTR1058		

## Rotor Assembly

Applies to RTR1042, RTR1050, RTR1058



22317

## ***Rotor Assembly***

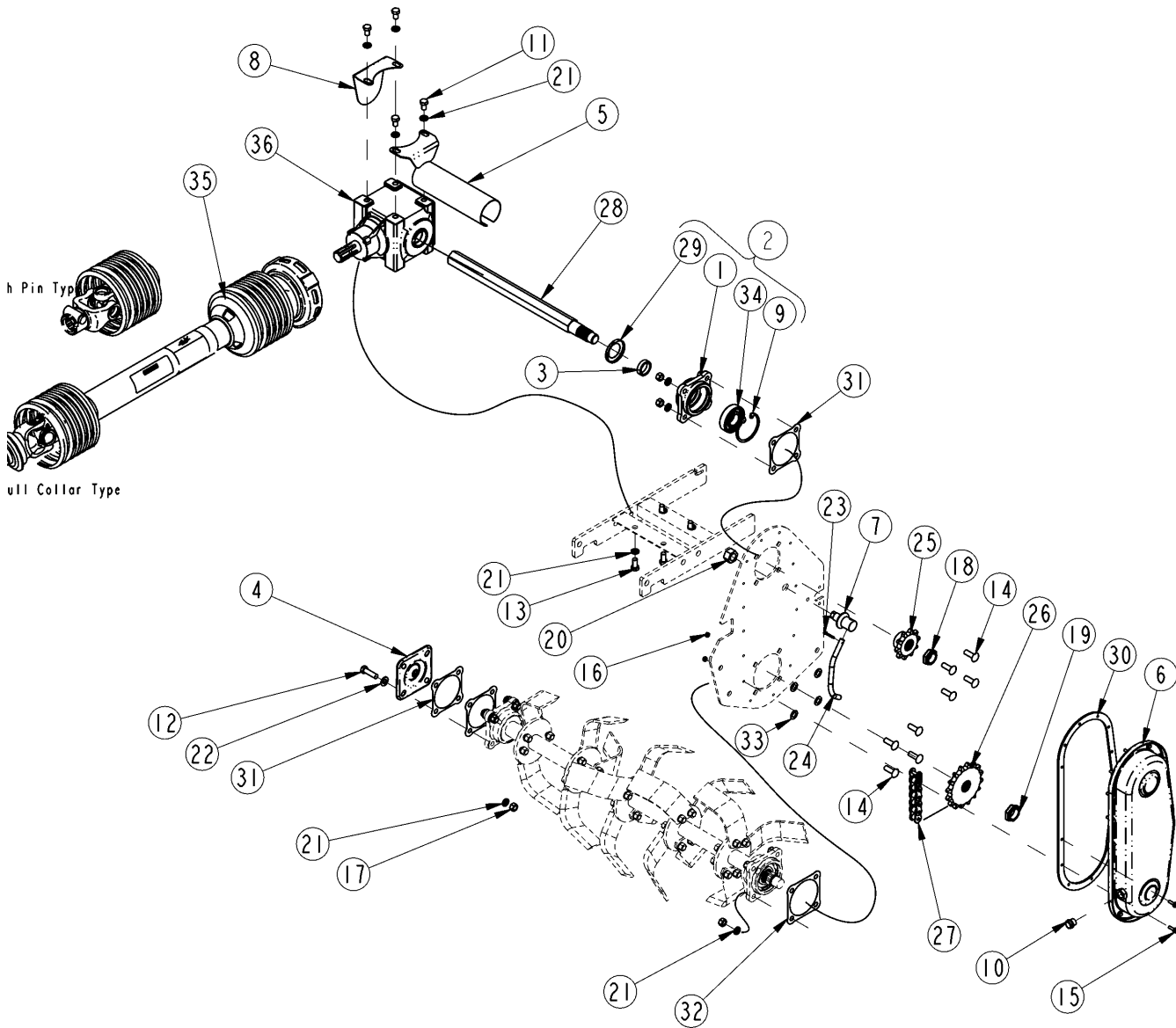
---

**Applies to RTR1042, RTR1050, RTR1058**

<b>Ref</b>	<b>Part No.</b>	<b>Part Description</b>	<b>Comments</b>	<b>Revision</b>
	dwg22317	Drawing Image Number		
	311-409K	RTR1542 ROTOR SUBASSY		
	311-410K	RTR1550 ROTOR SUBASSY		
	311-411K	RTR1558 ROTOR SUBASSY		
1.	311-015D	BOTTOM BRG MOUNT 15 TILLER		
2.	311-020H	ROTOR SHAFT WELDMENT 1542		
2.	311-019H	ROTOR SHAFT WELDMENT 1550		
2.	311-018H	ROTOR SHAFT WELDMENT 1558		
3.	311-042D	RH BOTTOM BRG MNT 10/15 TILR		
4.	311-042S	RH BOTTOM BRG ASSY 10/15 TLR		
5.	311-049S	LH BOTTOM BRG ASSY 15 TILLER		
6.	800-053C	SNAP RING INT3.523OD N5000-315		
7.	800-078C	SNAP RING INT 90 MM		
8.	800-079C	SNAP RING EXT 1 3/8 5100-137		
9.	802-248C	SP TINE HHCS 1/2-20X1 1/4 GR5		
10.	803-018C	NUT HEX 1/2-20 PLT		
11.	804-015C	WASHER LOCK SPRING 1/2 PLT		
12.	816-068C	SEAL 1.75 X 2.75 X .313		
13.	816-084C	SEAL 2 X 3.1875 X 0.469		
14.	820-055C	BLADE TILLER 10 & 15 SERIES LH	RTR1042 10 Ea., RTR1050 12 Ea., RTR1058 14 Ea.	
15.	820-056C	BLADE TILLER 10 & 15 SERIES RH	RTR1042 10 Ea., RTR1050 12 Ea., RTR1058 14 Ea.	
16.	822-082C	BEARING 307		
17.	822-084C	BEARING 308		

**Rotor Drive**

Applies to RTR1042, RTR1050, RTR1058



22305

**Rotor Drive****Applies to RTR1042, RTR1050, RTR1058**

Ref	Part No.	Part Description	Comments	Revision
	dwg22305	Drawing Image Number		
1.	311-014D	BEARING MNT RTA10/15/20 RTR20		
2.	311-041S	BRG HSNB ASSY RTA10/15/20 RTR20		
3.	311-054D	TOP BRG SPCR RTA10/15/20 RTR20		
4.	311-135S	RH BRG COVER W/ZRK RTA10/15/25		
4.	311-135S81	RH BRG COVER W/ZRK RTA10/15/25 GREEN		
4.	311-135S82	RH BRG COVER W/ZRK RTA10/15/25 ORANGE		
4.	311-135S83	RH BRG COVER W/ZRK RTA10/15/25 RED		
4.	311-135S84	RH BRG COVER W/ZRK RTA10/15/25 BLUE		
5.	311-440H	DRIVE SHAFT GUARD WELDMENT RTR1042		
5.	311-440H81	DRIVE SHAFT GUARD WELDMENT RTR1042		
5.	311-440H82	DRIVE SHAFT GUARD WELDMENT RTR1042		
5.	311-440H83	DRIVE SHAFT GUARD WELDMENT RTR1042		
5.	311-440H84	DRIVE SHAFT GUARD WELDMENT RTR1042		
5.	311-446H	DRIVE SHAFT GUARD WELDMENT RTR1050		
5.	311-446H81	DRIVE SHAFT GUARD WELDMENT RTR1050 GREEN		
5.	311-446H82	DRIVE SHAFT GUARD WELDMENT RTR1050 ORANGE		
5.	311-446H83	DRIVE SHAFT GUARD WELDMENT RTR1050 RED		
5.	311-446H84	DRIVE SHAFT GUARD WELDMENT RTR1050 BLUE		
5.	311-450H	DRIVE SHAFT GUARD WELDMENT RTR1058		
5.	311-450H81	DRIVE SHAFT GUARD WELDMENT RTR1058 GREEN		
5.	311-450H82	DRIVE SHAFT GUARD WELDMENT RTR1058 ORANGE		
5.	311-450H83	DRIVE SHAFT GUARD WELDMENT RTR1058 RED		
5.	311-450H84	DRIVE SHAFT GUARD WELDMENT RTR1058 BLUE		
6.	311-451H	CHAIN CASE WELDMENT RTR		
6.	311-451H81	CHAIN CASE WELDMENT RTR GREEN		
6.	311-451H82	CHAIN CASE WELDMENT RTR ORANGE		
6.	311-451H83	CHAIN CASE WELDMENT RTR RED		
6.	311-451H84	CHAIN CASE WELDMENT RTR BLUE		
7.	311-559D	CHAIN TENSIONER LH		
8.	311-583D	DRIVE COVER		
8.	311-583D81	DRIVE COVER GREEN		
8.	311-583D82	DRIVE COVER ORANGE		
8.	311-583D83	DRIVE COVER RED		
8.	311-583D84	DRIVE COVER BLUE		
9.	800-053C	SNAP RING INT3.523OD N5000-315		
10.	800-066C	DRAIN PLUG 3/4-16 UNF PLATED		
11.	802-032C	HHCS 1/2-13X3/4 GR5		
12.	802-082C	HHCS 1/2-13X1 3/4 GR5		
13.	802-258C	HHCS 1/2-13X1 GR5		
14.	802-477C	RHSSNB 1/2-13X1 1/2 GR5		
15.	802-719C	HFSS 1/4-20X7/8 GR5		
16.	803-007C	NUT LOCK 1/4-20 PLT		
17.	803-020C	NUT HEX 1/2-13 PLT		
18.	803-153C	NUT LT JAM 1 1/8-12 NYLN INSRT		
19.	803-155C	NUT LT JAM 1 1/4-12 NYLN INSRT		
20.	803-348C	NUT HEX FLG 7/8-14 LH PLT		
21.	804-015C	WASHER LOCK SPRING 1/2 PLT		
22.	804-094C	WASHER FLAT 1/2 HARD ASTM F436		

***Rotor Drive (continued)***

**Applies to RTR1042, RTR1050, RTR1058**

<b>Ref</b>	<b>Part No.</b>	<b>Part Description</b>	<b>Comments</b>	<b>Revision</b>
23.	805-069C	PIN COTTER 3/16 X 1		
24.	807-062C	CHAIN TIGHTENER 10/15 TILR		
25.	808-081C	SPKT 80B10 1 3/8-21 SPLINE		
26.	808-093C	SPKT 80B16 16/32-23 SPLINE		
27.	809-079C	CHAIN RL HT #80 X 43 PITCH		
28.	815-254C	DRIVE SHAFT RTR1042		
28.	815-028C	DRIVE SHAFT 1550 TILLER		
28.	815-027C	DRIVE SHAFT 1558 TILLER		
29.	816-068C	SEAL 1.75 X 2.75 X .313		
30.	816-069C	GASKET CHAIN GRD 10/15 TILR		
31.	816-070C	GASKET BRG MNT 10/15 TILLER		
32.	816-071C	15 TILLER LH BOTTOM BRG GASKET		
33.	816-280C	GASKET 1.03OD.515SQ.HL1/32THK		
34.	822-082C	BEARING 307		
35.	826-015C	PTO SLIP CLUTCH 10 TILLER		
35.	826-257C	DRIVELINE SHRBLT HEAVY 540		
36.	826-016C	GEARBOX RTA15 EBM25		
36.	826-016C81	GEARBOX RTA15 EBM25 GREEN		
36.	826-016C82	GEARBOX RTA15 EBM25 ORANGE		
36.	826-016C83	GEARBOX RTA15 EBM25 RED		
36.	826-016C84	GEARBOX RTA15 EBM25 BLUE		



## ***Rotor Drive (continued)***

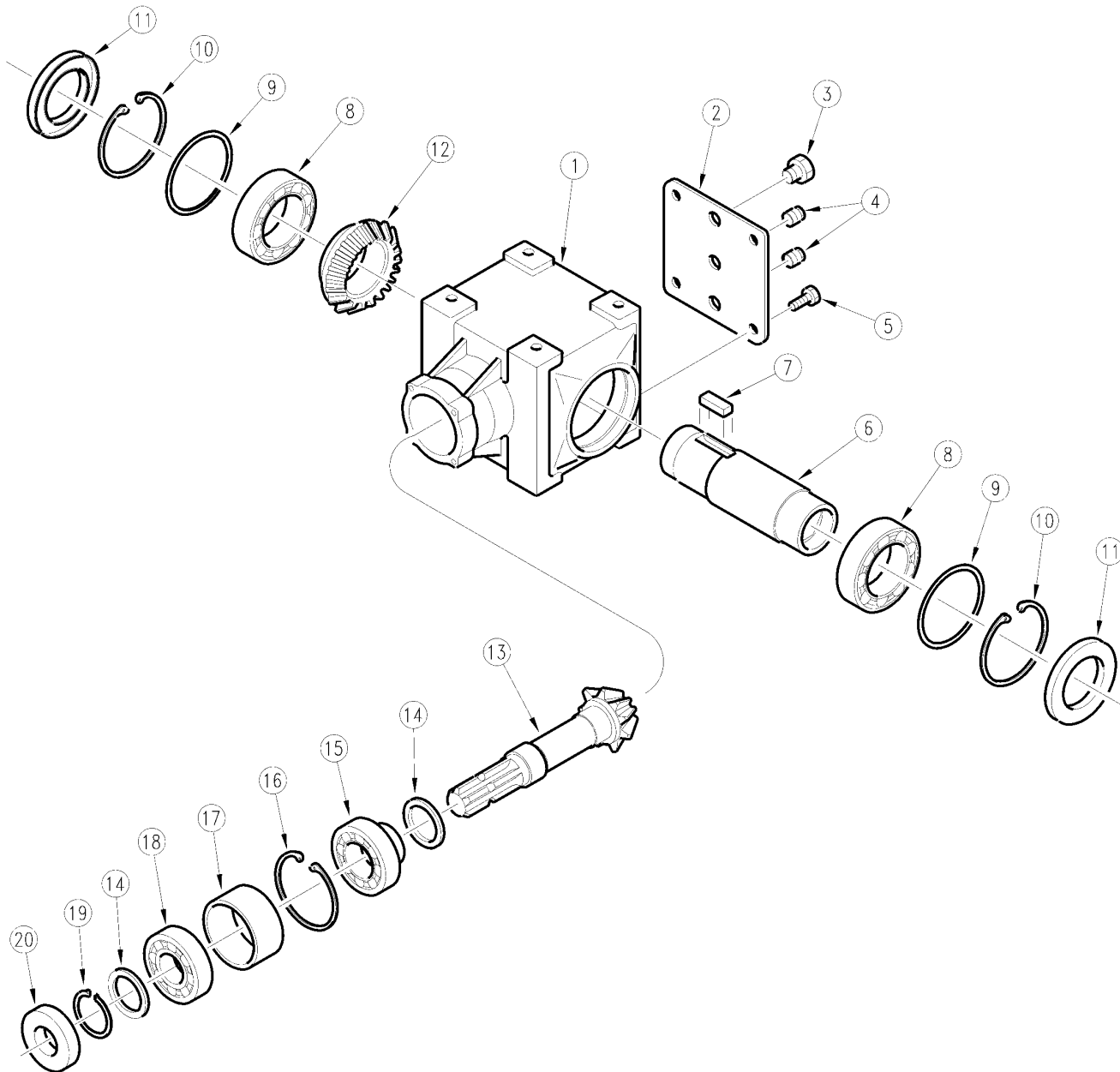
---

Applies to RTR1042, RTR1050, RTR1058

***This Page Intentionally Left Blank***

### **Gearbox (826-016C) Comer**

Applies to RTR1042, RTR1050, RTR1058



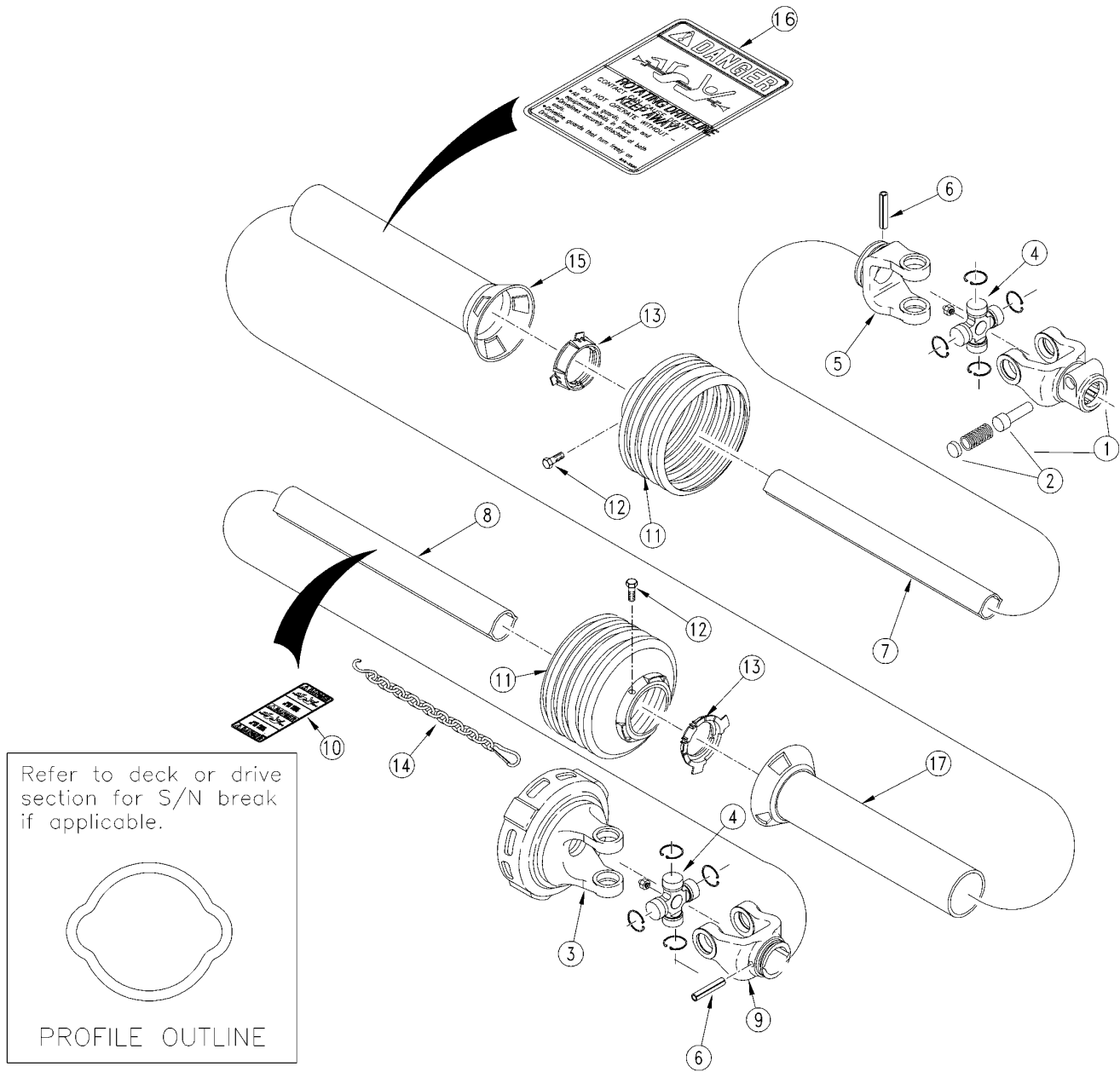
10142

***Gearbox (826-016C) Comer*****Applies to RTR1042, RTR1050, RTR1058**

<b>Ref</b>	<b>Part No.</b>	<b>Part Description</b>	<b>Comments</b>	<b>Revision</b>
	dwg10142	Drawing Image Number		
	826-016C	15 SERIES TILLER GEARBOX		
1.	0.267.0508.00	CO HOUSING		
2.	0.267.1300.00	CO REAR COVER		
3.	0.107.7100.01	CO OIL FILTER PLUG		
4.	8.6.5.00006	CO OIL PLUG 3/8		
5.	8.1.1.00054	CO BOLT M10X20 8.8		
6.	0.267.4601.00	CO OUTPUT SHAFT 1 1/2 HEX BORE		
7.	8.4.1.01028	CO KEY 14X9X35		
8.	8.0.1.00169	CO BEARING 6012		
9.	0.268.7500.00	CO SHIM KIT		
10.	8.5.2.01027	CO SNAP RING		
11.	0.267.7104.00	CO SEAL DOUBLE LIP 60X95X10		
12.	0.267.6001.00	CO RING GEAR 23 TOOTH		
13.	0.267.5002.00	CO PINION SHAFT GEAR 12 TOOTH		
14.	A.259.500	CO ADJUST SPACER KIT, 35.3 X48		
15.	822-167C	BEARING TAPER ROLLER 30207 SET		
16.	8.5.2.00131	CO SNAP RING INT 72 UN17437		
17.	0.267.7100.00	CO SPACER		
18.	822-166C	BEARING BALL 6207		
19.	8.5.1.00005	CO SNAP RING EXT 35 UN17435		
20.	8.7.1.00152	OIL SEAL, 35 X 72 X 12/10		

# Driveline (826-015C) Walterscheid

Applies to RTR1042, RTR1050, RTR1058



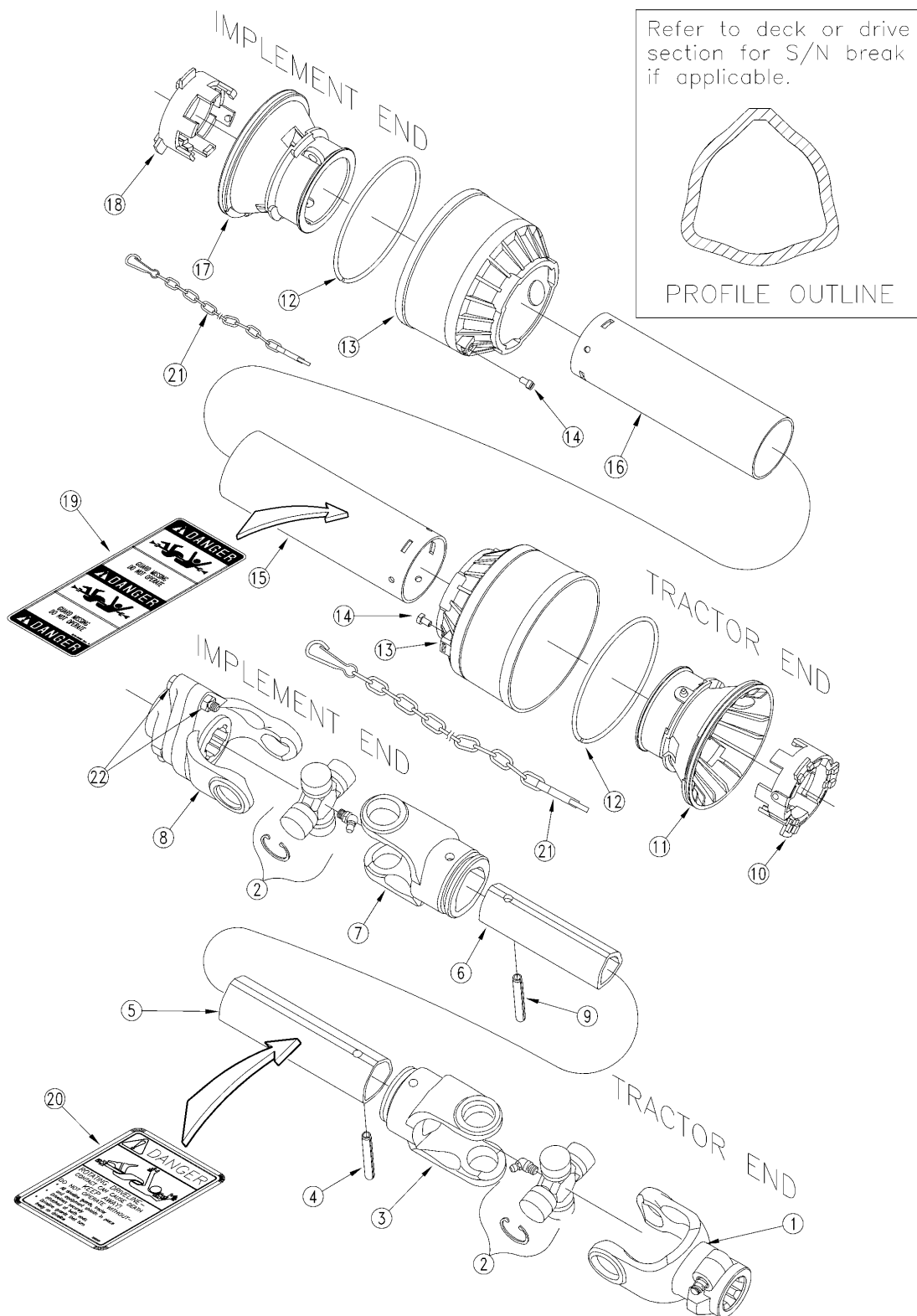
10973

***Driveline (826-015C) Walterscheid*****Applies to RTR1042, RTR1050, RTR1058**

<b>Ref</b>	<b>Part No.</b>	<b>Part Description</b>	<b>Comments</b>	<b>Revision</b>
	dwg10973	Drawing Image Number		
	826-015C	PTO SLIP CLUTCH 10 TILLER		
1.	041049	WALTERSCHEID YOKE 1 3/8-6 SPL		
2.	339107	WS Q.D. PIN KIT		
3.	053314	WS FRICTION CLUTCH		
4.	044439	WALTERSCHEID CROSS & BRG KIT		
5.	041065	WALTERSCHEID INBOARD YOKE		
6.	020614	WALTERSCHEID SPRING PIN		
7.	047882	WALTERSCHEID INNER PROFILE OV		
8.	047892	WALTERSCHEID OUTER PROFILE I		
9.	041068	WALTERSCHEID INBOARD YOKE		
10.	818-540C	DECAL DANGER GUARD MISS PTO		
11.	377234	WALTERSCHEID SHIELD CONE-4 RIB		
12.	365305	WALTERSCHEID SCREW		
13.	087279	WALTERSCHEID BEARING RING		
14.	044321	DRIVELINE SHIELD SAFETY CHAIN		
15.	385689	WALTERSCHEID OUT SHIELD TB OVL		
16.	818-552C	DECAL DANGER PTO DRIVELINE		
17.	385058	WALTERSCHEID INN SHIELD TB RND		

### Driveline (826-257C) Eurocardan

Applies to RTR1042, RTR1050, RTR1058



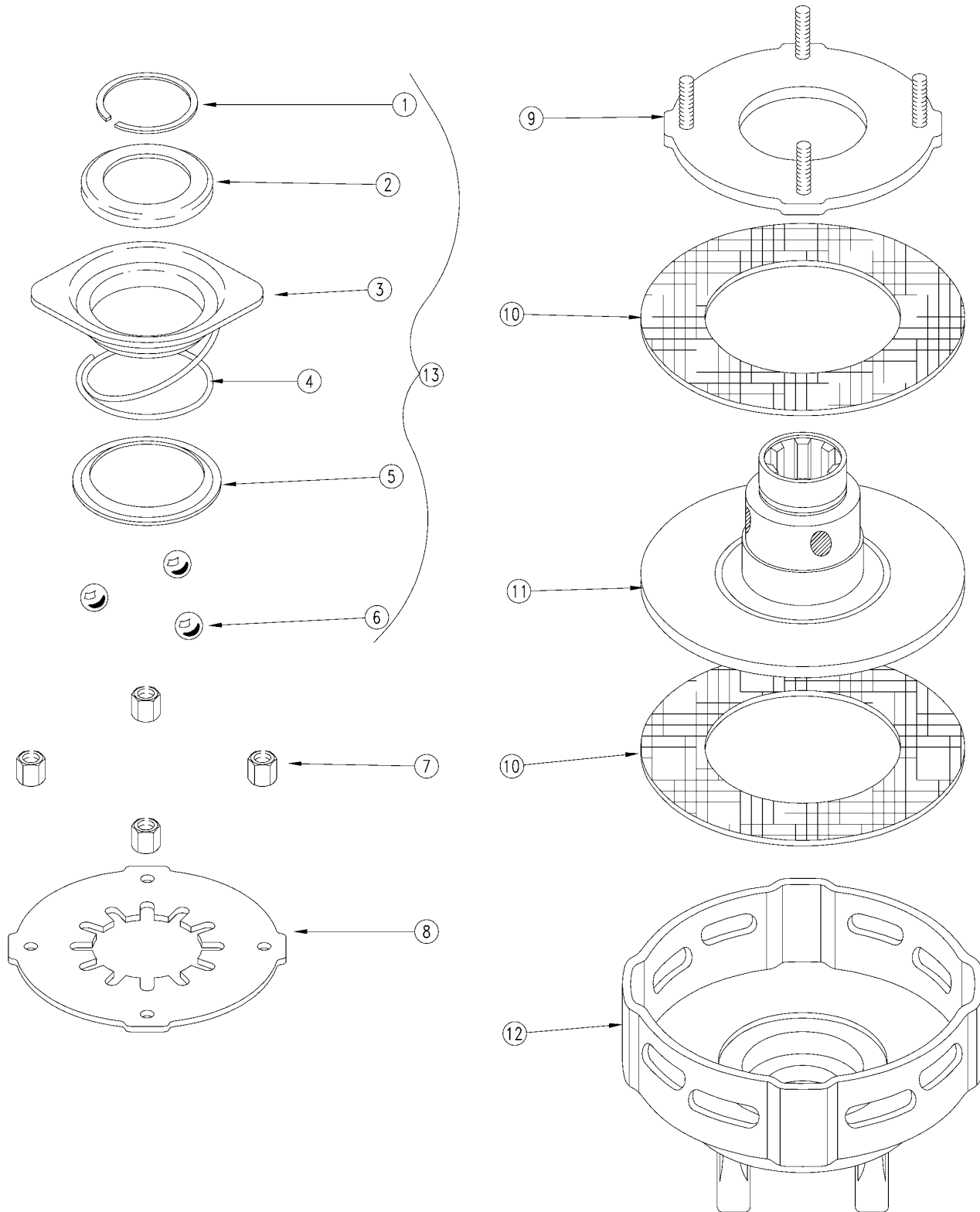
17409

**Driveline (826-257C) Eurocardan****Applies to RTR1042, RTR1050, RTR1058**

<b>Ref</b>	<b>Part No.</b>	<b>Part Description</b>	<b>Comments</b>	<b>Revision</b>
	dwg17409	Drawing Image Number		
	826-257C	DRIVELINE SHRBLT HEAVY 540		
1.	1023010	EC YOKE ASSEMBLY (TRACTOR END)		
2.	1003020	EC CROSS ASSEMBLY		
3.	1703027	EC OUTER TUBE YOKE		
4.	6330860	EC 08X60 1485DIN ROLL PIN		
5.	1524037	EC OUTER TUBE (1524062) 370MM		
6.	1523037	EC INNER TUBE (1523038) 370MM		
7.	1703029	EC INNER TUBE YOKE		
8.	1483049	EC BOLT LIMITER (LC3)		
9.	6330855	EC 8X55-DIN-1481 O/TUBE R/PIN		
10.	1784210	EC TUBE BEARING		
11.	1884201	EC OUTER TUBE RIGID CONE		
12.	1213233	EC STIFFENING RING		
13.	1884203	EC SOFT CONE		
14.	1784212	EC PIN STOP ROTATION		
15.	1873029	EC OUTER TUBE (1873050) 290MM		
16.	1872029	EC INNER TUBE (1872050) 290MM		
17.	1884202	EC INNER TUBE RIGID CONE		
18.	1784211	EC TUBE BEARING		
19.	818-540C	DECAL DANGER GUARD MISS PTO		
20.	818-552C	DECAL DANGER PTO DRIVELINE		
21.	044321	DRIVELINE SHIELD SAFETY CHAIN		
22.	6690845	EC COMP. BOLT M8X45 W/NUT		
23.	1014013	EC YOKE ASSY (TRACTOR END)		
24.	1004227	EC PULL COLLAR KIT EVOLUTION		

### Driveline Slip Clutch (053314)

Applies to RTR1042, RTR1050, RTR1058



10600

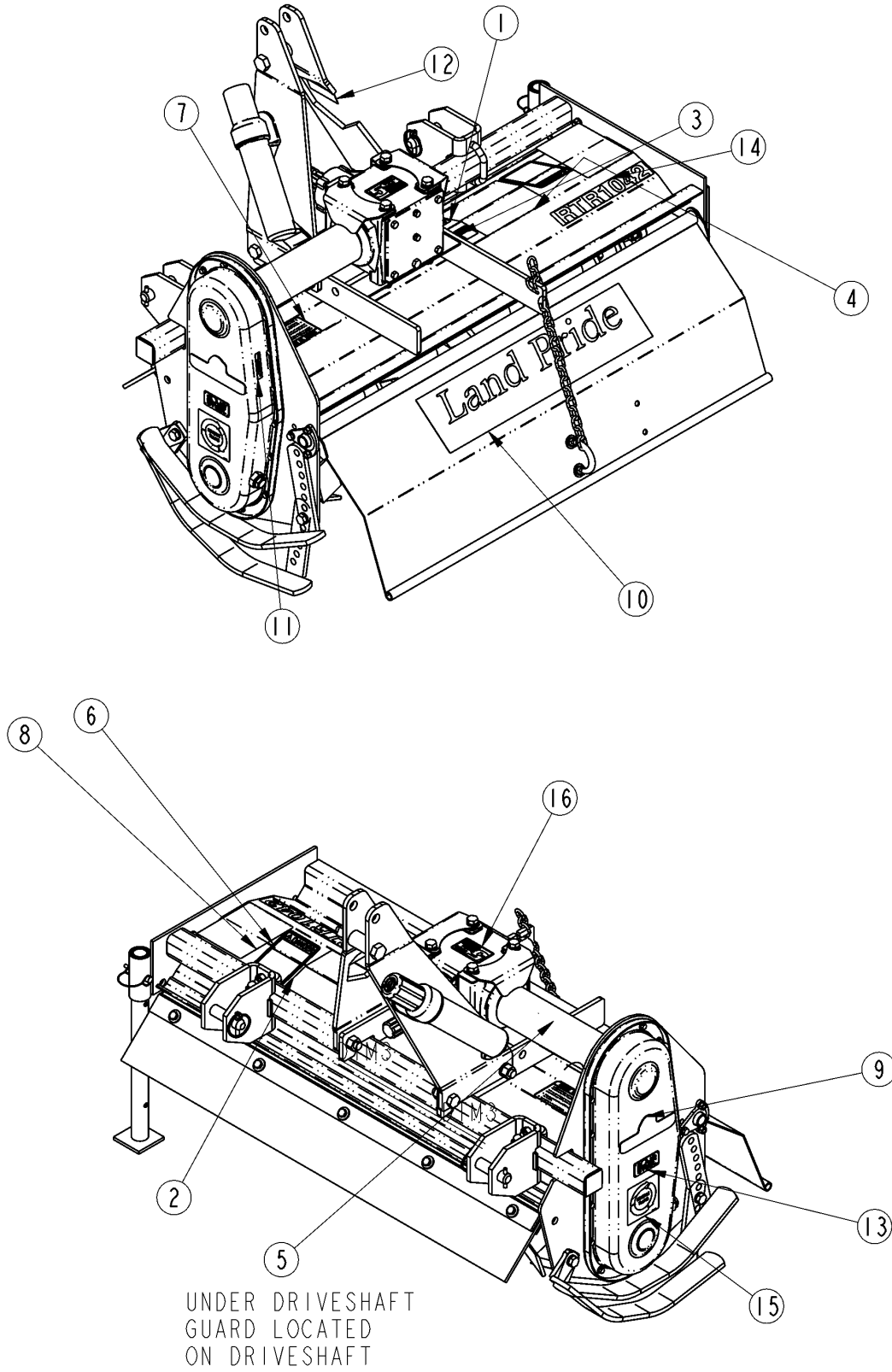


**Driveline Slip Clutch (053314)****Applies to RTR1042, RTR1050, RTR1058**

<b>Ref</b>	<b>Part No.</b>	<b>Part Description</b>	<b>Comments</b>	<b>Revision</b>
	dwg10600	Drawing Image Number		
	053314	WS FRICTION CLUTCH		
1.	304149	WS SNAP RING		
2.	338531	WS FLANGED RING		
3.	045790	WALTERSCHEID LOCK COLLAR		
4.	045793	WALTERSCHEID COMPRESSION SPRNG		
5.	047825	WALTERSCHEID BACK UP RING		
6.	020692	WALTERSCHEID BALL		
7.	381957	WALTERSCHEID HEX NUT M8		
8.	043487	WS BELLEVILLE SPRING		
9.	381495	WALTERSCHEID THRUST PLATE		
10.	168556	WS FRICTION DISK		
11.	051551	WALTERSCHEID HUB 1 3/8-6 SPL		
12.	041180	WALTERSCHEID CLUTCH HOUSING		
13.	341953	WS Q.D. FLG. KIT	Includes items 1 through 6	

## Label Placement

Applies to RTR1042, RTR1050, RTR1058



22319

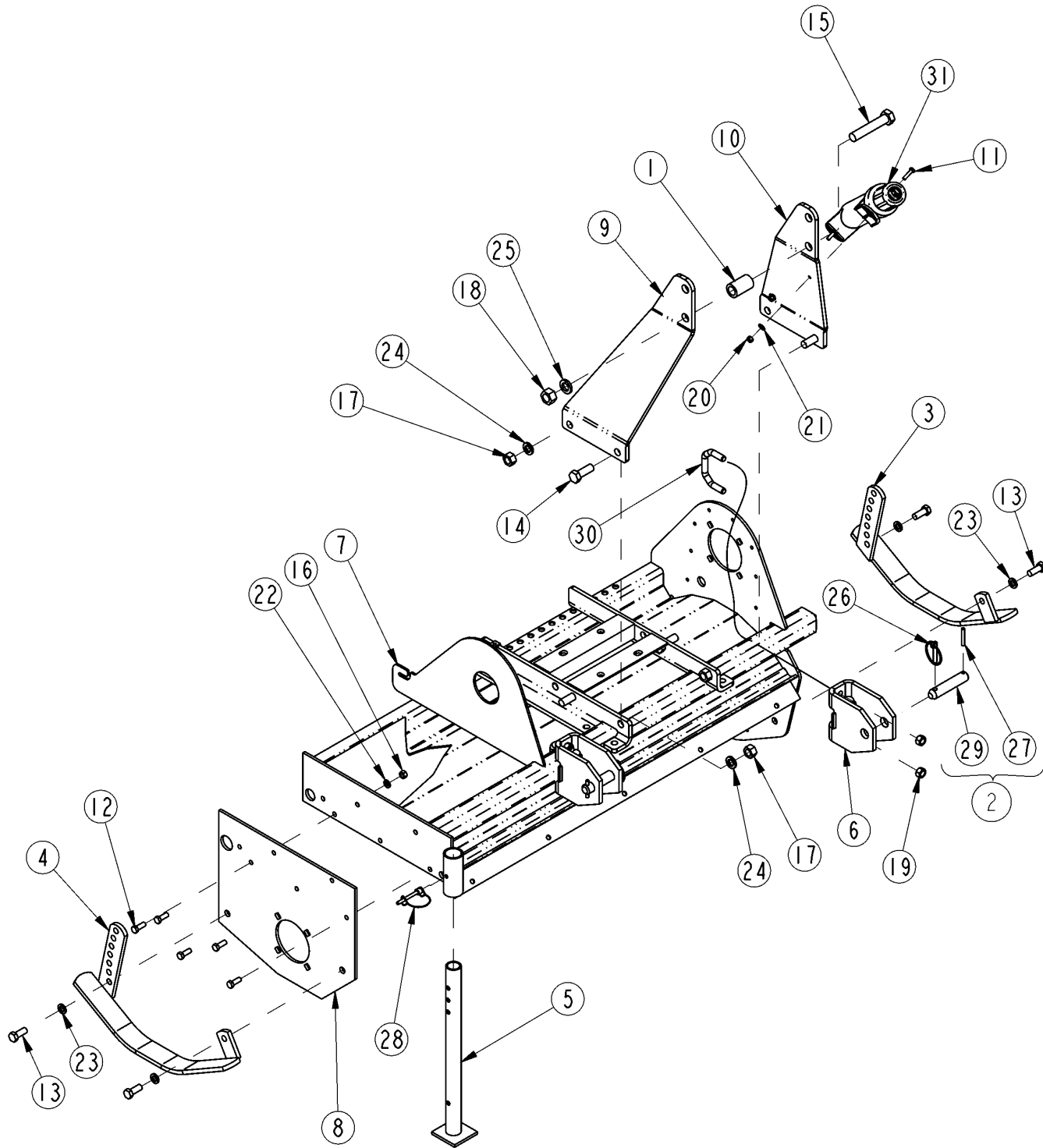
## Label Placement

### Applies to RTR1042, RTR1050, RTR1058

Ref	Part No.	Part Description	Comments	Revision
	dwg22319	Drawing Image Number		
1.	818-130C	DECAL CAUTION 540 RPM		
2.	818-171C	DECAL DANGER ROTATING TINES		
3.	818-190C	DECAL FLAG		
4.	818-284C	DECAL, WARNING FLYING DEBRIS	S/N 486046+	
5.	818-543C	DECAL DANGER PD GUARD MISS SML		
6.	818-552C	DECAL DANGER PTO DRIVELINE		
7.	818-560C	DECAL NOTICE TO OWNER-NO WARRA		
8.	818-858C	DECAL CAUTION GENERAL SAFETY		
9.	818-896C	DECAL LP W/TREE 6" - 2 COLOR	Beige Unit	
9.	838-968C	DECAL LP 6 W/TREE BROWN/GOLD	Green, Orange, Red & Blue Unit	
10.	818-907C	DECAL LANDPRIDE 22" - BROWN	Beige Unit	
10.	838-966C	DECAL LANDPRIDE 22" BROWN/GOLD	Green, Orange, Red & Blue Unit	
11.	838-415C	DECAL SHELL ALVANIA EP 00		
12.	838-517C	DECAL QUICK HITCH SYSTEM		
13.	838-537C	DECAL SOLID ROTOR SHAFT STEEL		
14.	838-691C	DECAL RTR1042-BROWN	Beige Unit	
14.	838-911C	DECAL RTR1042-GOLD	Green, Orange, Red & Blue Unit	
14.	838-716C	DECAL RTR1050-BROWN	Beige Unit	
14.	838-912C	DECAL RTR1050-GOLD	Green, Orange, Red & Blue Unit	
14.	838-715C	DECAL RTR1058-BROWN	Beige Unit	
14.	838-913C	DECAL RTR1058-GOLD	Green, Orange, Red & Blue Unit	
15.	838-706C	DECAL REVERSE TILLING W/ARROWS	Beige Unit	
15.	838-897C	DECAL REV TILLING W/ARROWS GLD	Green, Orange, Red & Blue Unit	
16.	818-862C	DECAL 5 YEAR GEARBOX WARRANTY		

# Frame Components

Applies to RTR1542, RTR1550, RTR1558



22323

## Frame Components

### Applies to RTR1542, RTR1550, RTR1558

Ref	Part No.	Part Description	Comments	Revision
	dwg22323	Drawing Image Number		
1.	308-400D	SPACER 1 1/4OD X 25/32ID X 2LG		
2.	310-020S	LOWER HITCH PIN		
3.	311-006H	LH SKIDSHOE RTA10/15/20 RTR20		
3.	311-006H81	LH SKIDSHOE RTA10/15/20 RTR20 GREEN		
3.	311-006H82	LH SKIDSHOE RTA10/15/20 RTR20 ORANGE		
3.	311-006H83	LH SKIDSHOE RTA10/15/20 RTR20 RED		
3.	311-006H84	LH SKIDSHOE RTA10/15/20 RTR20 BLUE		
4.	311-007H	RH SKIDSHOE RTA10/15/20 RTR20		
4.	311-007H81	RH SKIDSHOE RTA10/15/20 RTR20 GREEN		
4.	311-007H82	RH SKIDSHOE RTA10/15/20 RTR20 ORANGE		
4.	311-007H83	RH SKIDSHOE RTA10/15/20 RTR20 RED		
4.	311-007H84	RH SKIDSHOE RTA10/15/20 RTR20 BLUE		
5.	311-014H	STAND LEG RTA10/15/20 RTR20		
5.	311-014H81	STAND LEG RTA10/15/20 RTR20 GREEN		
5.	311-014H82	STAND LEG RTA10/15/20 RTR20 ORANGE		
5.	311-014H83	STAND LEG RTA10/15/20 RTR20 RED		
5.	311-014H84	STAND LEG RTA10/15/20 RTR20 BLUE		
6.	311-418H	LOWER HITCH WELDMENT	S/N 448120+	
6.	311-418H81	LOWER HITCH WELDMENT GREEN		
6.	311-418H82	LOWER HITCH WELDMENT ORANGE		
6.	311-418H83	LOWER HITCH WELDMENT RED		
6.	311-418H84	LOWER HITCH WELDMENT BLUE		
6.	311-582D	LOWER HITCH BRACKET	S/N 448119- RTR1542	
7.	311-420H	FRAME WELDMENT RTR1542		
7.	311-420H81	FRAME WELDMENT RTR1542 GREEN		
7.	311-420H82	FRAME WELDMENT RTR1542 ORANGE		
7.	311-420H83	FRAME WELDMENT RTR1542 RED		
7.	311-420H84	FRAME WELDMENT RTR1542 BLUE		
7.	311-441H	FRAME WELDMENT RTR1550	RTR1550	
7.	311-441H81	FRAME WELDMENT RTR1550 GREEN		
7.	311-441H82	FRAME WELDMENT RTR1550 ORANGE		
7.	311-441H83	FRAME WELDMENT RTR1550 RED		
7.	311-441H84	FRAME WELDMENT RTR1550 BLUE		
7.	311-414H	FRAME WELDMENT RTR1558	RTR1558	
7.	311-414H81	FRAME WELDMENT RTR1558 GREEN		
7.	311-414H82	FRAME WELDMENT RTR1558 ORANGE		
7.	311-414H83	FRAME WELDMENT RTR1558 RED		
7.	311-414H84	FRAME WELDMENT RTR1558 BLUE		
8.	311-423H	END PLATE WELDMENT RH		
8.	311-423H81	END PLATE WELDMENT RH GREEN		
8.	311-423H82	END PLATE WELDMENT RH ORANGE		
8.	311-423H83	END PLATE WELDMENT RH RED		
8.	311-423H84	END PLATE WELDMENT RH BLUE		
9.	311-538D	HITCH PLATE UPPER RH		
9.	311-538D81	HITCH PLATE UPPER RH GREEN		
9.	311-538D82	HITCH PLATE UPPER RH ORANGE		
9.	311-538D83	HITCH PLATE UPPER RH RED		
9.	311-538D84	HITCH PLATE UPPER RH BLUE		
10.	311-539D	HITCH PLATE UPPER LH		
10.	311-539D81	HITCH PLATE UPPER LH GREEN		
10.	311-539D82	HITCH PLATE UPPER LH ORANGE		
10.	311-539D83	HITCH PLATE UPPER LH RED		
10.	311-539D84	HITCH PLATE UPPER LH BLUE		
11.	802-005C	HHCS 1/4-20X1 GR5	S/N 544523+	
12.	802-017C	HHCS 3/8-16X1 GR5		
13.	802-034C	HHCS 1/2-13X1 1/4 GR5		
14.	802-053C	HHCS 5/8-11X1 3/4 GR5		

**Frame Components (continued)**

**Applies to RTR1542, RTR1550, RTR1558**

<b>Ref</b>	<b>Part No.</b>	<b>Part Description</b>	<b>Comments</b>	<b>Revision</b>
15.	802-068C	HHCS 3/4-10X4 GR5		
16.	803-014C	NUT HEX 3/8-16 PLT		
17.	803-021C	NUT HEX 5/8-11 PLT		
18.	803-027C	NUT HEX 3/4-10 PLT		
19.	803-147C	NUT HEX NYLOCK 1/2-13	S/N 448120+	
19.	803-209C	NUT FLANGE LOCK 3/8-16 PLT	S/N 448119-	
20.	803-255C	NUT HEX NYLOCK 1/4-20	S/N 544523+	
21.	804-007C	WASHER FLAT 1/4 SAE PLT	S/N 544523+	
22.	804-013C	WASHER LOCK SPRING 3/8 PLT		
23.	804-015C	WASHER LOCK SPRING 1/2 PLT		
24.	804-022C	WASHER LOCK SPRING 5/8 PLT		
25.	804-023C	WASHER LOCK SPRING 3/4 PLT		
26.	805-015C	PIN LYNCH 5/16 X 1 3/4		
27.	805-041C	PIN ROLL 1/4X1 3/4		
28.	805-065C	PIN WIRE RETAINING 1/4 X 1 3/4		
29.	805-198C	PIN LOWER HITCH 7/8X3 1/16USBL		
30.	806-048C	U-BOLT 1/2-13 X2 7/8X2 1/16SPL	S/N 448120+	
30.	806-166C	U-BOLT 3/8-16 X 2 1/32 X 3	S/N 448119-	
31.	816-504C	MANUAL STORAGE CONTAINER	S/N 544523+	

## ***Frame Components (continued)***

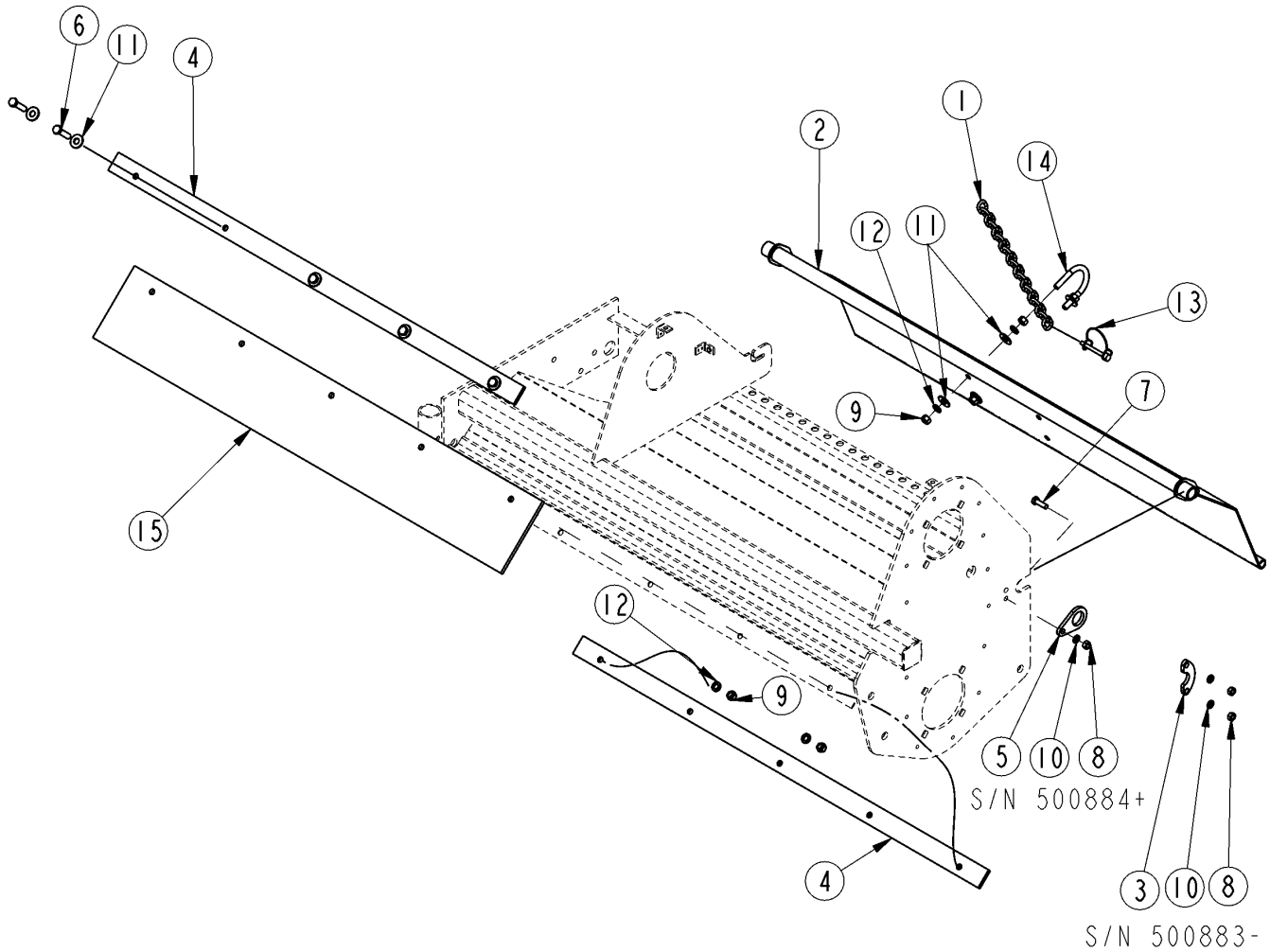
---

Applies to RTR1542, RTR1550, RTR1558

***This Page Intentionally Left Blank***

### Front & Rear Deflector

Applies to RTR1542, RTR1550, RTR1558



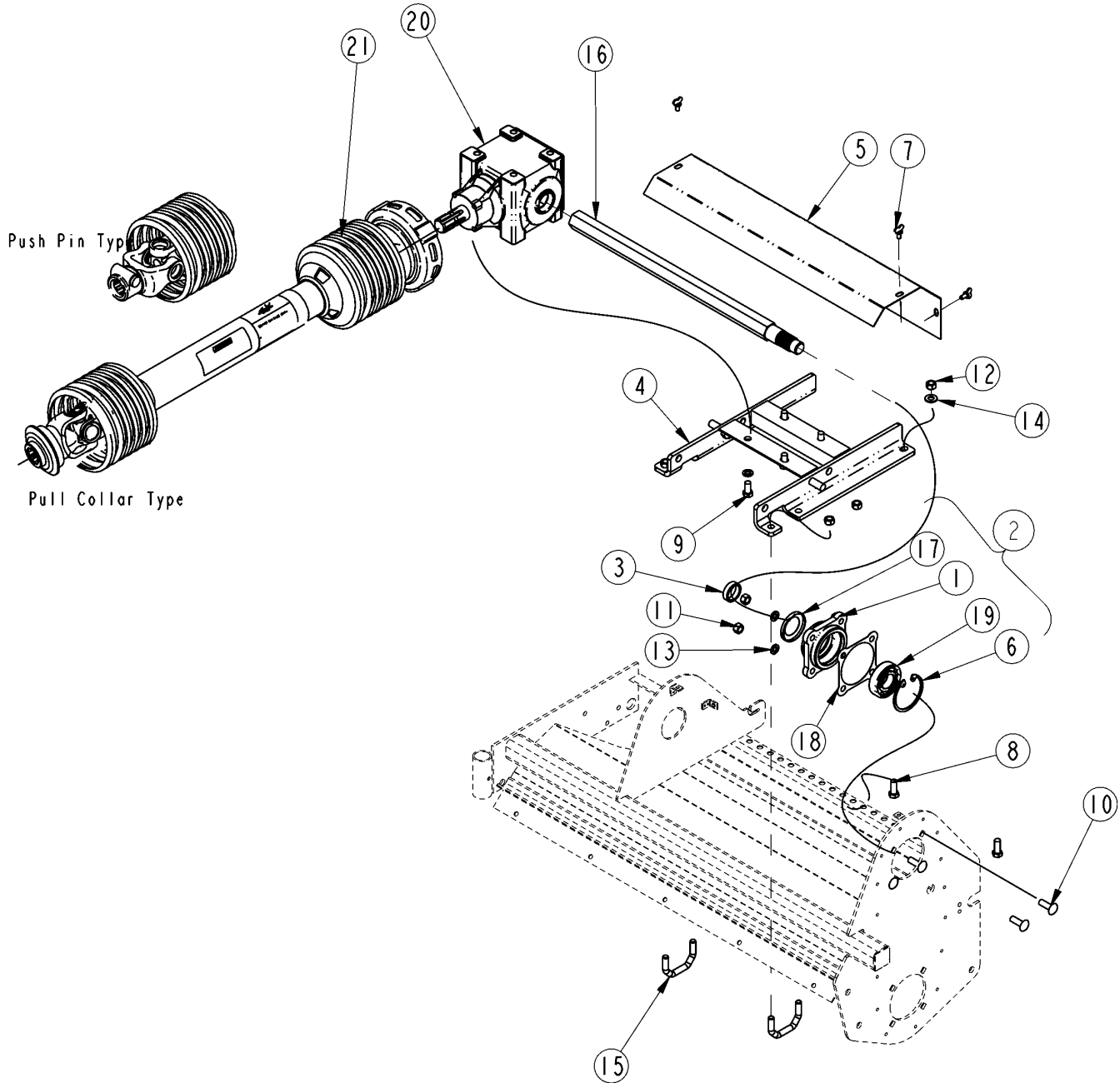


**Front & Rear Deflector****Applies to RTR1542, RTR1550, RTR1558**

Ref	Part No.	Part Description	Comments	Revision
	dwg22324	Drawing Image Number		
1.	311-077D	REAR DEFLECTOR CHAIN 10/15		
2.	311-430H	TAILGATE WELDMENT RTR1542	S/N 515910+	
2.	311-430H81	TAILGATE WELDMENT RTR1542 GREEN		
2.	311-430H82	TAILGATE WELDMENT RTR1542 ORANGE		
2.	311-430H83	TAILGATE WELDMENT RTR1542 RED		
2.	311-430H84	TAILGATE WELDMENT RTR1542 BLUE		
2.	311-422H	RPBY 311-430H	S/N 515909- Requires U-Bolt & Hardware	
2.	311-422H81	RPBY 311-430H81	Requires U-Bolt & Hardware	
2.	311-422H82	RPBY 311-430H82	Requires U-Bolt & Hardware	
2.	311-422H83	RPBY 311-430H83	Requires U-Bolt & Hardware	
2.	311-422H84	RPBY 311-430H84	Requires U-Bolt & Hardware	
2.	311-445H	TAILGATE WELDMENT RTR1550	S/N 515910+	
2.	311-445H81	TAILGATE WELDMENT RTR1550 GREEN		
2.	311-445H82	TAILGATE WELDMENT RTR1550 ORANGE		
2.	311-445H83	TAILGATE WELDMENT RTR1550 RED		
2.	311-445H84	TAILGATE WELDMENT RTR1550 BLUE		
2.	311-442H	RPBY 311-445H	S/N 515909- Requires U-Bolt & Hardware	
2.	311-442H81	RPBY 311-445H81	Requires U-Bolt & Hardware	
2.	311-442H82	RPBY 311-445H82	Requires U-Bolt & Hardware	
2.	311-442H83	RPBY 311-445H83	Requires U-Bolt & Hardware	
2.	311-442H84	RPBY 311-445H84	Requires U-Bolt & Hardware	
2.	311-449H	TAILGATE WELDMENT RTR1558	S/N 515910+	
2.	311-449H81	TAILGATE WELDMENT RTR1558 GREEN		
2.	311-449H82	TAILGATE WELDMENT RTR1558 ORANGE		
2.	311-449H83	TAILGATE WELDMENT RTR1558 RED		
2.	311-449H84	TAILGATE WELDMENT RTR1558 BLUE		
2.	311-417H	RPBY 311-449H	S/N 515909- Requires U-Bolt & Hardware	
2.	311-417H81	RPBY 311-449H81	Requires U-Bolt & Hardware	
2.	311-417H82	RPBY 311-449H82	Requires U-Bolt & Hardware	
2.	311-417H83	RPBY 311-449H83	Requires U-Bolt & Hardware	
2.	311-417H84	RPBY 311-449H84	Requires U-Bolt & Hardware	
3.	311-553D	TAIGATE HOLDER	S/N 500883-	
3.	311-553D81	TAIGATE HOLDER GREEN		
3.	311-553D82	TAIGATE HOLDER ORANGE		
3.	311-553D83	TAIGATE HOLDER RED		
3.	311-553D84	TAIGATE HOLDER BLUE		
4.	311-565D	FRONT DEFLECTOR MOUNT BAR RTR1542		
4.	311-566D	FRONT DEFLECTOR MOUNT BAR RTR1558		
4.	311-577D	FRONT DEFLECTOR MOUNT BAR RTR1550		
5.	311-663D	TAILGATE LOCK 10 & 15 SERIES	S/N 500884+	
6.	802-022C	HHCS 3/8-16X1 1/2 GR5		
7.	802-738C	HHCS 5/16-18X1 GR5 ZNYCR		
8.	803-008C	NUT HEX 5/16-18 PLT		
9.	803-014C	NUT HEX 3/8-16 PLT	S/N 515910+	
10.	804-009C	WASHER LOCK SPRING 5/16 PLT		
11.	804-011C	WASHER FLAT 3/8 USS PLT	S/N 515910+	
12.	804-013C	WASHER LOCK SPRING 3/8 PLT	S/N 515910+	
13.	805-065C	PIN WIRE RETAINING 1/4 X 1 3/4	S/N 515909-	
14.	806-049C	U-BOLT 3/8-16 X2 1/32X2 5/8SPL	S/N 515910+	
15.	816-463C	FRONT DEFLECTOR RTR1542		
15.	816-472C	FRONT DEFLECTOR RTR1550		
15.	816-462C	FRONT DEFLECTOR RTR1558		

# Gearbox Mounting & Driveshaft

Applies to RTR1542, RTR1550, RTR1558



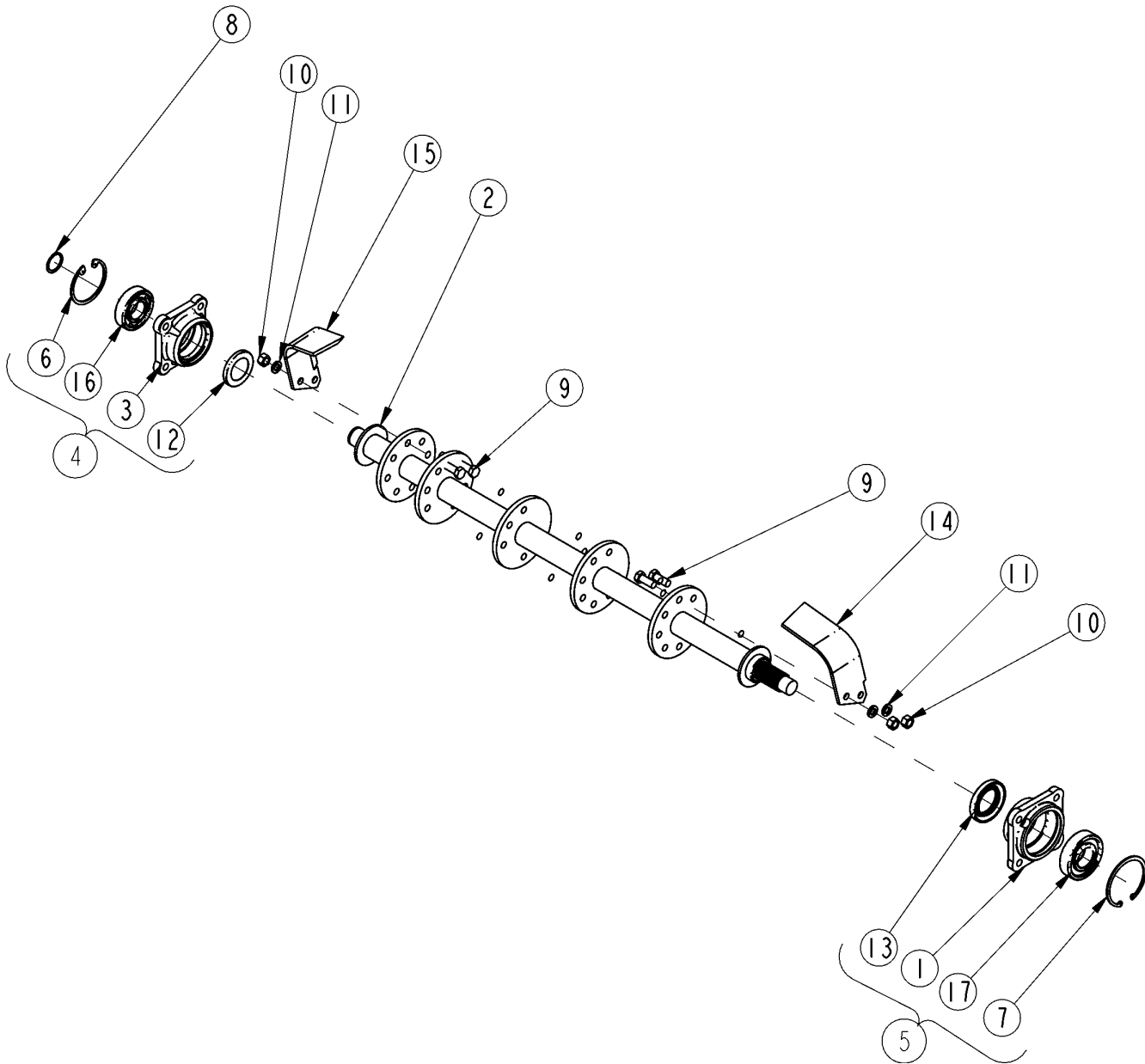
22327

**Gearbox Mounting & Driveshaft****Applies to RTR1542, RTR1550, RTR1558**

Ref	Part No.	Part Description	Comments	Revision
	dwg22327	Drawing Image Number		
1.	311-014D	BEARING MNT RTA10/15/20 RTR20		
2.	311-041S	BRG HSNB ASSY RTA10/15/20 RTR20		
3.	311-054D	TOP BRG SPCR RTA10/15/20 RTR20		
4.	311-415H	GEARBOX MOUNT		
4.	311-415H81	GEARBOX MOUNT GREEN		
4.	311-415H82	GEARBOX MOUNT ORANGE		
4.	311-415H83	GEARBOX MOUNT RED		
4.	311-415H84	GEARBOX MOUNT BLUE		
5.	311-561D	SHAFT GUARD RTR1542		
5.	311-561D81	SHAFT GUARD RTR1542 GREEN		
5.	311-561D82	SHAFT GUARD RTR1542 ORANGE		
5.	311-561D83	SHAFT GUARD RTR1542 RED		
5.	311-561D84	SHAFT GUARD RTR1542 BLUE		
5.	311-578D	SHAFT GUARD RTR1550		
5.	311-578D81	SHAFT GUARD RTR1550 GREEN		
5.	311-578D82	SHAFT GUARD RTR1550 ORANGE		
5.	311-578D83	SHAFT GUARD RTR1550 RED		
5.	311-578D84	SHAFT GUARD RTR1550 BLUE		
5.	311-552D	SHAFT GUARD RTR1558		
5.	311-552D81	SHAFT GUARD RTR1558 GREEN		
5.	311-552D82	SHAFT GUARD RTR1558 ORANGE		
5.	311-552D83	SHAFT GUARD RTR1558 RED		
5.	311-552D84	SHAFT GUARD RTR1558 BLUE		
6.	800-053C	SNAP RING INT3.523OD N5000-315		
7.	801-042C	SCREW THUMB 5/16-18 X 5/8 PLT		
8.	802-034C	HHCS 1/2-13X1 1/4 GR5		
9.	802-258C	HHCS 1/2-13X1 GR5		
10.	802-477C	RHSSNB 1/2-13X1 1/2 GR5		
11.	803-020C	NUT HEX 1/2-13 PLT		
12.	803-147C	NUT HEX NYLOCK 1/2-13		
13.	804-015C	WASHER LOCK SPRING 1/2 PLT		
14.	804-016C	WASHER FLAT 1/2 SAE PLT	S/N 540858+	
15.	806-048C	U-BOLT 1/2-13 X2 7/8X2 1/16SPL		
16.	815-029C	DRIVE SHAFT 1542 TILLER		
16.	815-028C	DRIVE SHAFT 1550 TILLER		
16.	815-027C	DRIVE SHAFT 1558 TILLER		
17.	816-068C	SEAL 1.75 X 2.75 X .313		
18.	816-070C	GASKET BRG MNT 10/15 TILLER		
19.	822-082C	BEARING 307		
20.	826-016C	GEARBOX RTA15 EBM25		
20.	826-016C81	GEARBOX RTA15 EBM25 GREEN		
20.	826-016C82	GEARBOX RTA15 EBM25 ORANGE		
20.	826-016C83	GEARBOX RTA15 EBM25 RED		
20.	826-016C84	GEARBOX RTA15 EBM25 BLUE		
21.	826-024C	PTO SLIP CLUTCH 15 TILLER		
21.	826-023C	PTO SHEAR BOLT 15 TILLER		

# Rotor Assembly

Applies to RTR1542, RTR1550, RTR1558



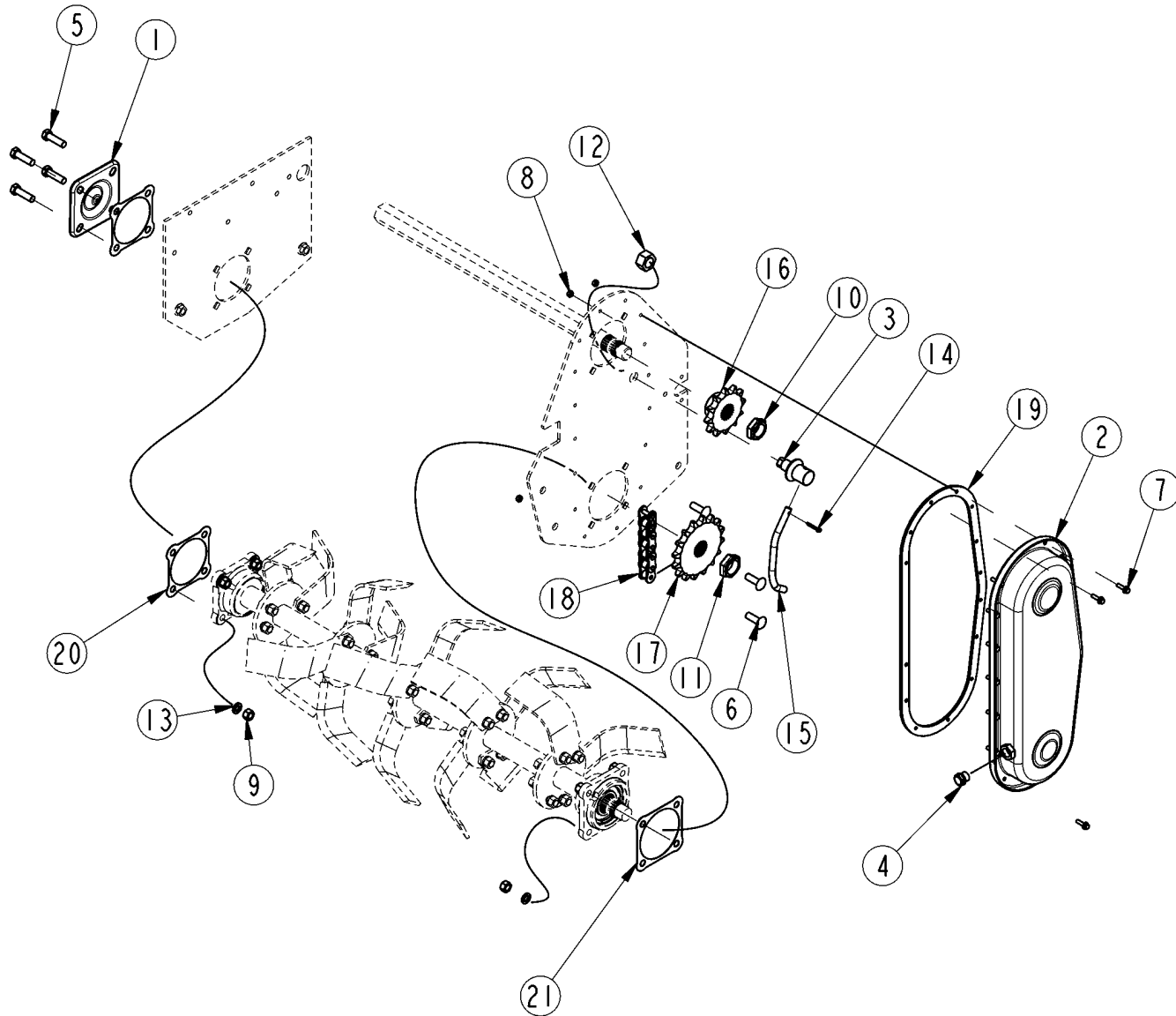
22317

***Rotor Assembly*****Applies to RTR1542, RTR1550, RTR1558**

<b>Ref</b>	<b>Part No.</b>	<b>Part Description</b>	<b>Comments</b>	<b>Revision</b>
	dwg22317	Drawing Image Number		
	311-409K	RTR1542 ROTOR SUBASSY		
	311-410K	RTR1550 ROTOR SUBASSY		
	311-411K	RTR1558 ROTOR SUBASSY		
1.	311-015D	BOTTOM BRG MOUNT 15 TILLER		
2.	311-020H	ROTOR SHAFT WELDMENT 1542		
2.	311-019H	ROTOR SHAFT WELDMENT 1550		
2.	311-018H	ROTOR SHAFT WELDMENT 1558		
3.	311-042D	RH BOTTOM BRG MNT 10/15 TILR		
4.	311-042S	RH BOTTOM BRG ASSY 10/15 TLR		
5.	311-049S	LH BOTTOM BRG ASSY 15 TILLER		
6.	800-053C	SNAP RING INT3.523OD N5000-315		
7.	800-078C	SNAP RING INT 90 MM		
8.	800-079C	SNAP RING EXT 1 3/8 5100-137		
9.	802-248C	SP TINE HHCS 1/2-20X1 1/4 GR5		
10.	803-018C	NUT HEX 1/2-20 PLT		
11.	804-015C	WASHER LOCK SPRING 1/2 PLT		
12.	816-068C	SEAL 1.75 X 2.75 X .313		
13.	816-084C	SEAL 2 X 3.1875 X 0.469		
14.	820-055C	BLADE TILLER 10 & 15 SERIES LH	RTR1042 10 Ea., RTR1050 12 Ea., RTR1058 14 Ea.	
15.	820-056C	BLADE TILLER 10 & 15 SERIES RH	RTR1042 10 Ea., RTR1050 12 Ea., RTR1058 14 Ea.	
16.	822-082C	BEARING 307		
17.	822-084C	BEARING 308		

# Rotor Drive

Applies to RTR1542, RTR1550, RTR1558



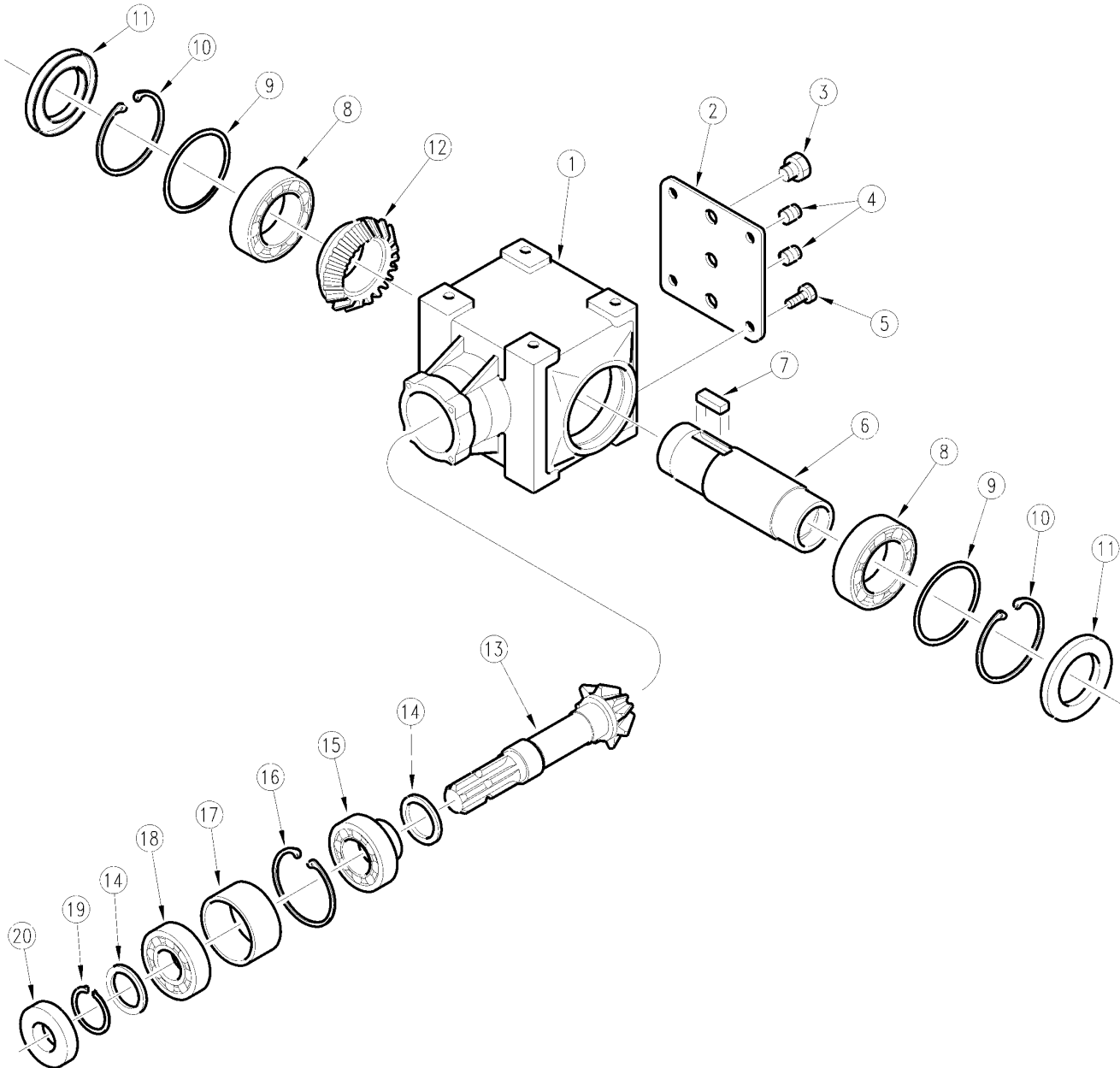
22326

**Rotor Drive****Applies to RTR1542, RTR1550, RTR1558**

Ref	Part No.	Part Description	Comments	Revision
	dwg22326	Drawing Image Number		
1.	311-135S	RH BRG COVER W/ZRK RTA10/15/25		
1.	311-135S81	RH BRG COVER W/ZRK RTA10/15/25 GREEN		
1.	311-135S82	RH BRG COVER W/ZRK RTA10/15/25 ORANGE		
1.	311-135S83	RH BRG COVER W/ZRK RTA10/15/25 RED		
1.	311-135S84	RH BRG COVER W/ZRK RTA10/15/25 BLUE		
2.	311-451H	CHAIN CASE WELDMENT RTR		
2.	311-451H81	CHAIN CASE WELDMENT RTR GREEN		
2.	311-451H82	CHAIN CASE WELDMENT RTR ORANGE		
2.	311-451H83	CHAIN CASE WELDMENT RTR RED		
2.	311-451H84	CHAIN CASE WELDMENT RTR BLUE		
3.	311-559D	CHAIN TENSIONER LH		
4.	800-066C	DRAIN PLUG 3/4-16 UNF PLATED		
5.	802-082C	HHCS 1/2-13X1 3/4 GR5		
6.	802-477C	RHSSNB 1/2-13X1 1/2 GR5		
7.	802-719C	HFSS 1/4-20X7/8 GR5		
8.	803-007C	NUT LOCK 1/4-20 PLT		
9.	803-020C	NUT HEX 1/2-13 PLT		
10.	803-153C	NUT LT JAM 1 1/8-12 NYLN INSRT		
11.	803-155C	NUT LT JAM 1 1/4-12 NYLN INSRT		
12.	803-348C	NUT HEX FLG 7/8-14 LH PLT		
13.	804-015C	WASHER LOCK SPRING 1/2 PLT		
14.	805-069C	PIN COTTER 3/16 X 1		
15.	807-062C	CHAIN TIGHTENER 10/15 TILR		
16.	808-092C	SPKT 80B12 1 3/8-21		
17.	808-093C	SPKT 80B16 16/32-23 SPLINE		
18.	809-083C	CHAIN RL #80X44 HIGH TENSILE		
19.	816-069C	GASKET CHAIN GRD 10/15 TILR		
20.	816-070C	GASKET BRG MNT 10/15 TILLER		
21.	816-071C	15 TILLER LH BOTTOM BRG GASKET		

### **Gearbox (826-016C) Comer**

Applies to RTR1542, RTR1550, RTR1558



10142

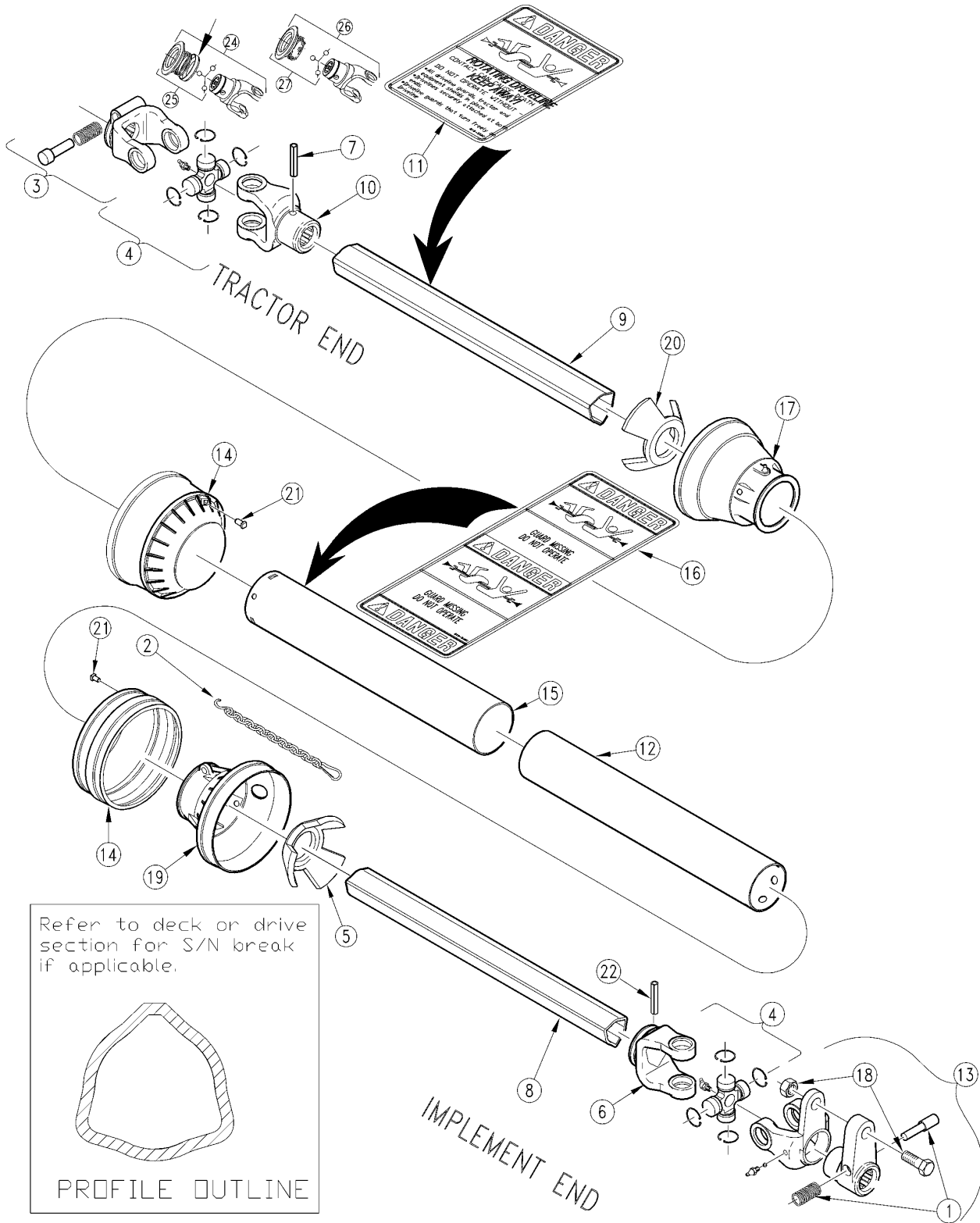


***Gearbox (826-016C) Comer*****Applies to RTR1542, RTR1550, RTR1558**

<b>Ref</b>	<b>Part No.</b>	<b>Part Description</b>	<b>Comments</b>	<b>Revision</b>
	dwg10142	Drawing Image Number		
	826-016C	15 SERIES TILLER GEARBOX		
1.	0.267.0508.00	CO HOUSING		
2.	0.267.1300.00	CO REAR COVER		
3.	0.107.7100.01	CO OIL FILTER PLUG		
4.	8.6.5.00006	CO OIL PLUG 3/8		
5.	8.1.1.00054	CO BOLT M10X20 8.8		
6.	0.267.4601.00	CO OUTPUT SHAFT 1 1/2 HEX BORE		
7.	8.4.1.01028	CO KEY 14X9X35		
8.	8.0.1.00169	CO BEARING 6012		
9.	0.268.7500.00	CO SHIM KIT		
10.	8.5.2.01027	CO SNAP RING		
11.	0.267.7104.00	CO SEAL DOUBLE LIP 60X95X10		
12.	0.267.6001.00	CO RING GEAR 23 TOOTH		
13.	0.267.5002.00	CO PINION SHAFT GEAR 12 TOOTH		
14.	A.259.500	CO ADJUST SPACER KIT, 35.3 X48		
15.	822-167C	BEARING TAPER ROLLER 30207 SET		
16.	8.5.2.00131	CO SNAP RING INT 72 UN17437		
17.	0.267.7100.00	CO SPACER		
18.	822-166C	BEARING BALL 6207		
19.	8.5.1.00005	CO SNAP RING EXT 35 UN17435		
20.	8.7.1.00152	OIL SEAL, 35 X 72 X 12/10		

# Driveline (826-023C) Eurocardan

Applies to RTR1542, RTR1550, RTR1558



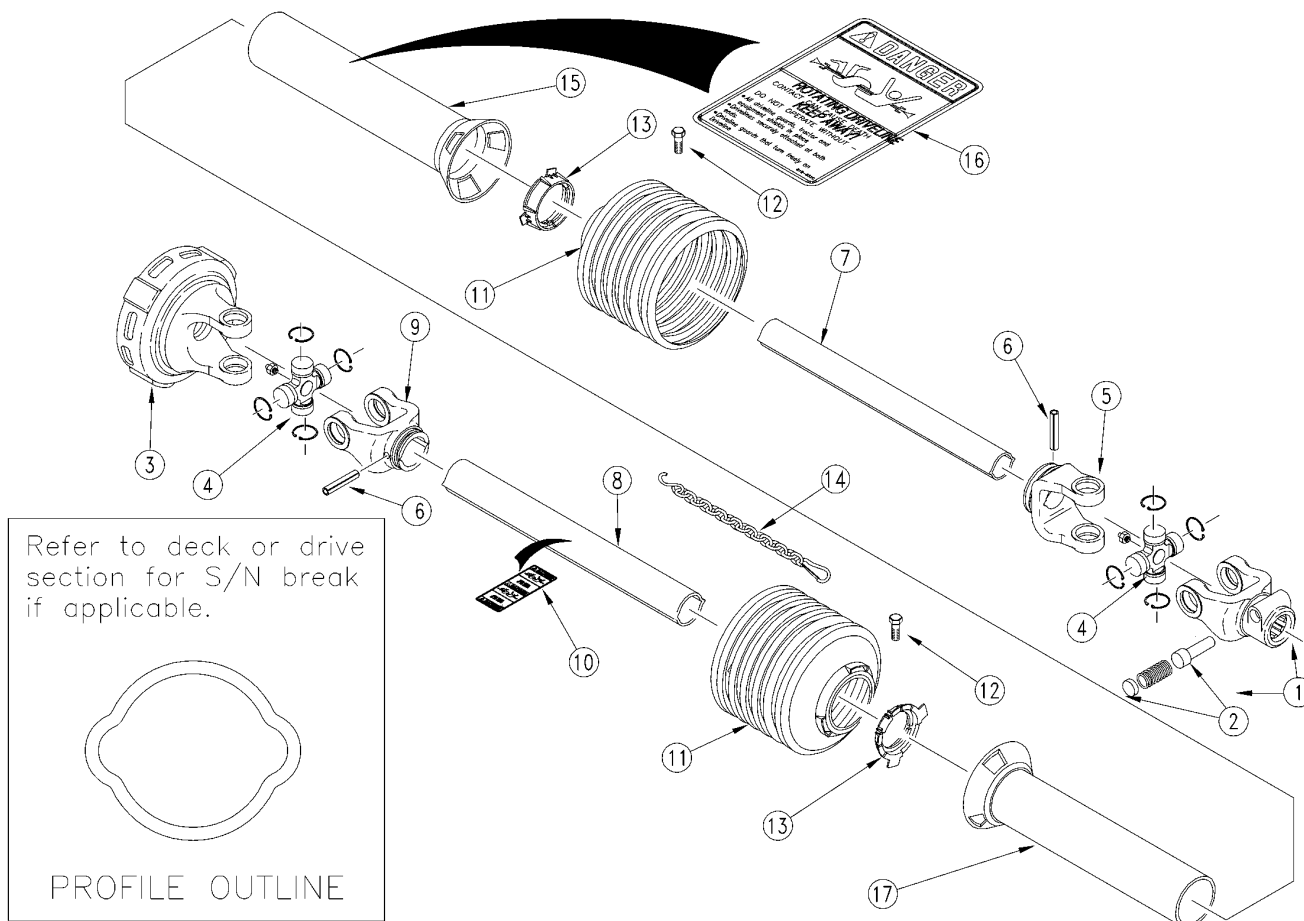
13205

**Driveline (826-023C) Eurocardan****Applies to RTR1542, RTR1550, RTR1558**

Ref	Part No.	Part Description	Comments	Revision
	dwg13205	Drawing Image Number		
	826-023C	PTO SHEAR BOLT 15 TILLER		
1.	1581038	EC COMPLETE PUSH-PIN KIT		
2.	044321	DRIVELINE SHIELD SAFETY CHAIN		
3.	1024010	EC YOKE ASSEMBLY (TRACT. END)		
4.	1004020	EC CROSS ASSEMBLY ( U JOINT)		
5.	1784211	EC TUBE BEARING		
6.	1704029	EC INNER TUBE YOKE		
7.	6330860	EC 08X60 1485DIN ROLL PIN		
8.	1525037	EC INNER TUBE (1525062) 370MM		
9.	1524037	EC OUTER TUBE (1524062) 370MM		
10.	1704027	EC OUTER TUBE YOKE		
11.	818-552C	DECAL DANGER PTO DRIVELINE		
12.	1872029	EC INNER TUBE (1872050) 290MM		
13.	1484037	EC BOLT TRQ LIMITER (IMP END)		
14.	1884203	EC SOFT CONE		
15.	1873029	EC OUTER TUBE (1873050) 290MM		
16.	818-540C	DECAL DANGER GUARD MISS PTO		
17.	1884201	EC OUTER TUBE RIGID CONE		
18.	6690845	EC COMP. BOLT M8X45 W/NUT		
19.	1884202	EC INNER TUBE RIGID CONE		
20.	1784210	EC TUBE BEARING		
21.	1784212	EC PIN STOP ROTATION		
22.	6330855	EC 8X55-DIN-1481 O/TUBE R/PIN		

### Driveline (826-024C) Walterscheid

Applies to RTR1542, RTR1550, RTR1558

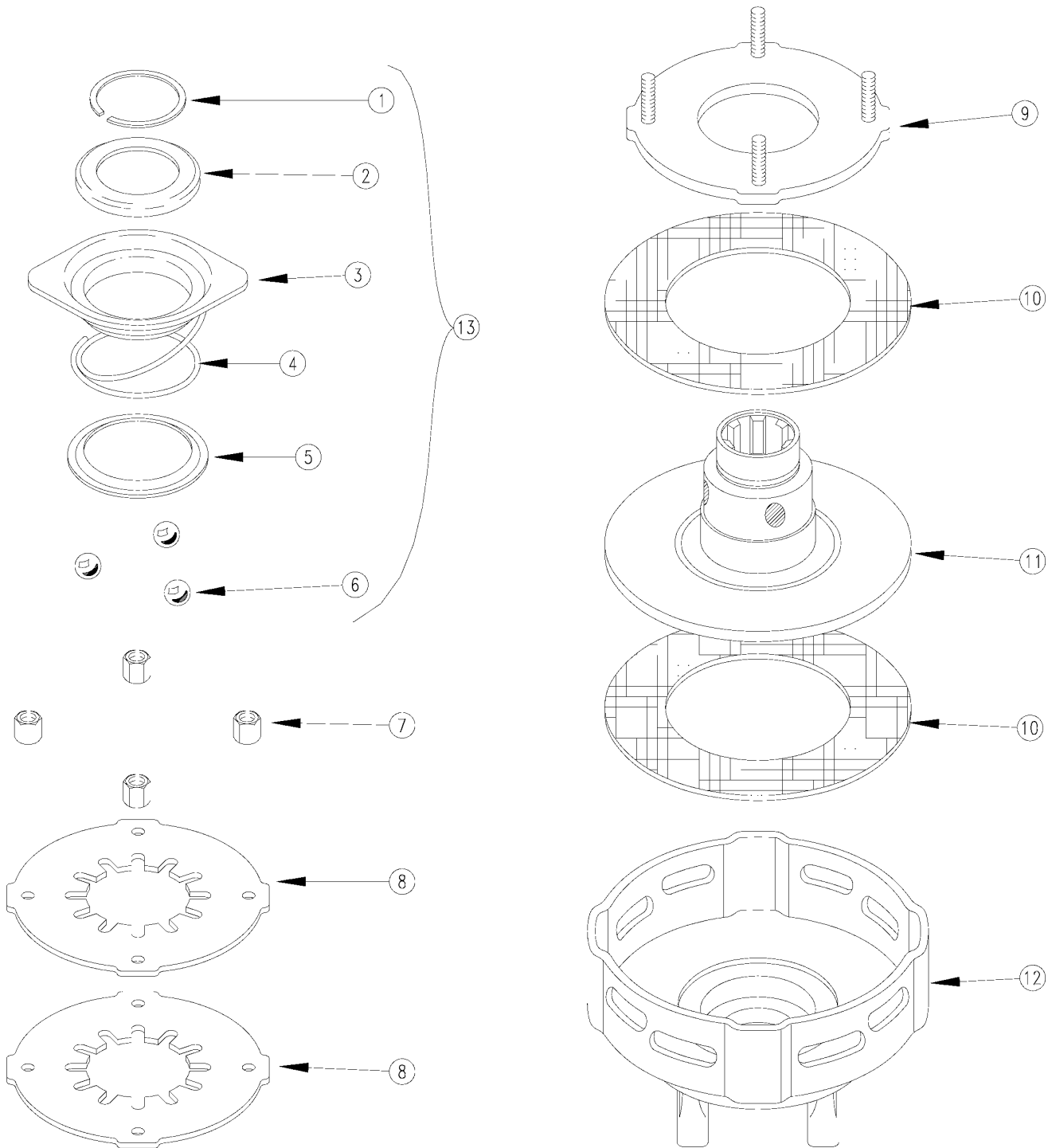


***Driveline (826-024C) Walterscheid*****Applies to RTR1542, RTR1550, RTR1558**

<b>Ref</b>	<b>Part No.</b>	<b>Part Description</b>	<b>Comments</b>	<b>Revision</b>
	dwg10144	Drawing Image Number		
	826-024C	PTO SLIP CLUTCH 15 TILLER		
1.	041378	WS YOKE 1 3/8-6 SPL		
2.	339107	WS Q.D. PIN KIT		
3.	053331	WS FRICTION CLUTCH		
4.	044444	WS CROSS & BRG KIT		
5.	041315	WS INBOARD YOKE		
6.	020614	WS SPRING PIN		
7.	048360	WS INNER PROFILE OV		
8.	048242	WS OUTER PROFILE I		
9.	041318	WS INBOARD YOKE		
10.	818-552C	DECAL DANGER PTO DRIVELINE		
11.	377235	WS SHIELD CONE 5 RIB		
12.	365305	WS SCREW		
13.	087279	WS BEARING RING		
14.	044321	DRIVELINE SHIELD SAFETY CHAIN		
15.	386717	WS OUT SHIELD TB OVL		
16.	818-540C	DECAL DANGER GUARD MISS PT		
17.	381924	WS INN SHIELD TB RND		

### Driveline Slip Clutch (053331) Walterscheid

Applies to RTR1542, RTR1550, RTR1558



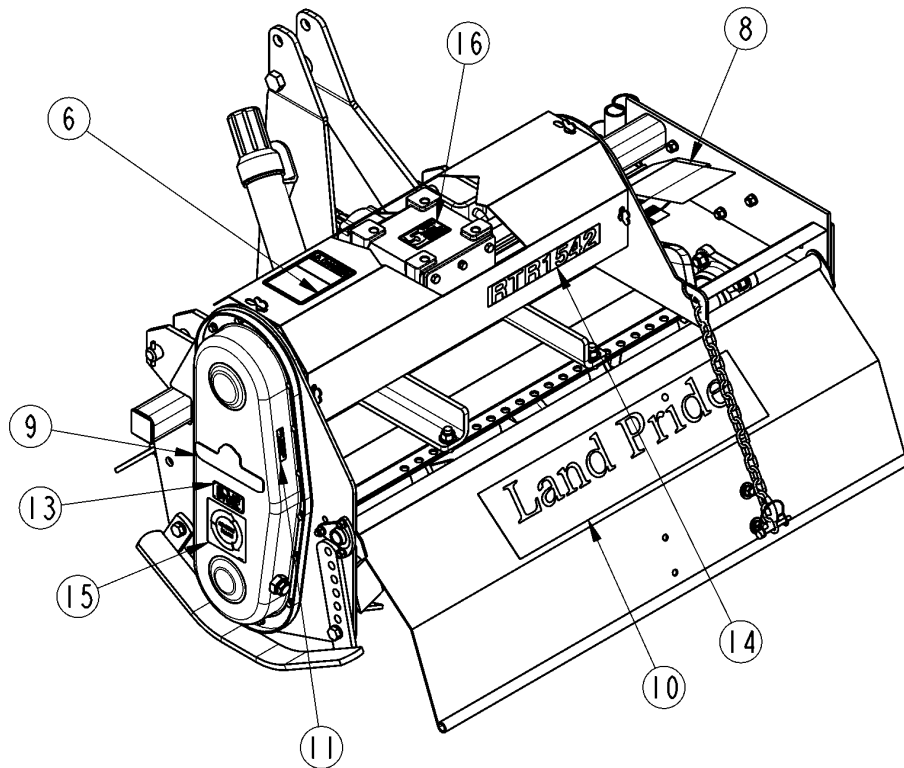
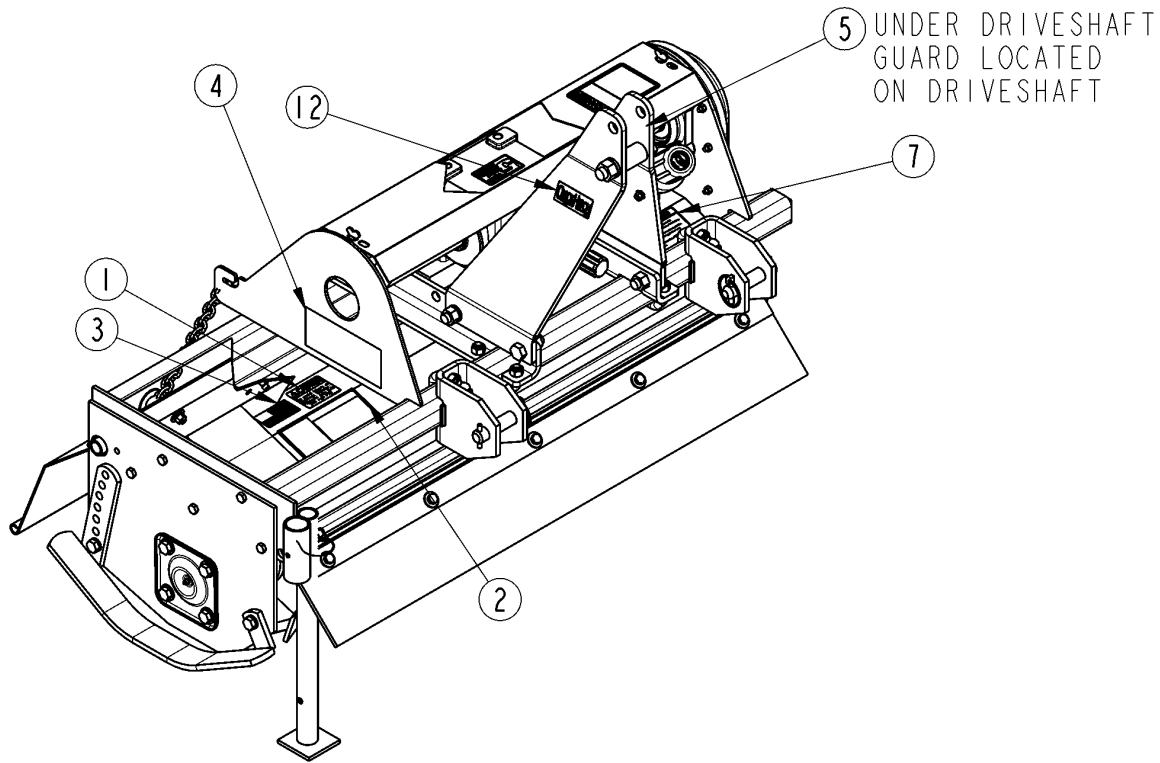
10139

***Driveline Slip Clutch (053331) Walterscheid*****Applies to RTR1542, RTR1550, RTR1558**

<b>Ref</b>	<b>Part No.</b>	<b>Part Description</b>	<b>Comments</b>	<b>Revision</b>
	dwg10139	Drawing Image Number		
	053331	WS FRICTION CLUTCH		
1.	304149	WS SNAP RING		
2.	338531	WS FLANGED RING		
3.	045790	WS LOCK COLLAR		
4.	045793	WS COMPRESSION SPRNG		
5.	047825	WS BACK UP RING		
6.	020692	WS BALL		
7.	381957	WS HEX NUT M8		
8.	043489	WS BELLEVILLE SPRING		
9.	381495	WS THRUST PLATE		
10.	168556	WS FRICTION DISK		
11.	051551	WS HUB 1 3/8-6 SPL		
12.	041368	WS CLUTCH HOUSING		
13.	341953	WS Q.D. FLG. KIT	Includes items 1 through 5; three of item 6	

### Label Placement

Applies to RTR1542, RTR1550, RTR1558



22329



## Label Placement

### Applies to RTR1542, RTR1550, RTR1558

Ref	Part No.	Part Description	Comments	Revision
	dwg22329	Drawing Image Number		
1.	818-130C	DECAL CAUTION 540 RPM		
2.	818-171C	DECAL DANGER ROTATING TINES		
3.	818-190C	DECAL FLAG		
4.	818-284C	DECAL, WARNING FLYING DEBRIS	S/N 486046	
5.	818-543C	DECAL DANGER PD GUARD MISS SML		
6.	818-552C	DECAL DANGER PTO DRIVELINE		
7.	818-560C	DECAL NOTICE TO OWNER-NO WARRA		
8.	818-858C	DECAL CAUTION GENERAL SAFETY		
9.	818-896C	DECAL LP W/TREE 6" - 2 COLOR	Beige Unit	
9.	838-968C	DECAL LP 6 W/TREE BROWN/GOLD	Green, Orange, Red & Blue Unit	
10.	818-907C	DECAL LANDPRIDE 22" - BROWN	Beige Unit	
10.	838-966C	DECAL LANDPRIDE 22" BROWN/GOLD	Green, Orange, Red & Blue Unit	
11.	838-415C	DECAL SHELL ALVANIA EP 00		
12.	838-517C	DECAL QUICK HITCH SYSTEM		
13.	838-537C	DECAL SOLID ROTOR SHAFT STEEL		
14.	838-690C	DECAL RTR1542-BROWN	Beige Unit	
14.	838-918C	DECAL RTR1542-GOLD	Green, Orange, Red & Blue Unit	
14.	838-717C	DECAL RTR1550-BROWN	Beige Unit	
14.	838-919C	DECAL RTR1550-GOLD	Green, Orange, Red & Blue Unit	
14.	838-689C	DECAL RTR1558-BROWN	Beige Unit	
14.	838-917C	DECAL RTR1558-GOLD	Green, Orange, Red & Blue Unit	
15.	838-706C	DECAL REVERSE TILLING W/ARROWS	Beige Unit	
15.	838-897C	DECAL REV TILLING W/ARROWS GLD	Green, Orange, Red & Blue Unit	
16.	818-862C	DECAL 5 YEAR GEARBOX WARRANTY		



# Part Number Index

The Part Number Index is a numeric index of all part numbers included in this manual. The index shows what page(s) the part is used on.

Part Number	Page	Part Number	Page	Part Number	Page	Part Number	Page
0.107.7100.01	19, 41	311-007H81	7, 29	311-430H82	11, 33	311-553D82	33
0.267.0508.00	19, 41	311-007H82	7, 29	311-430H83	11, 33	311-553D83	33
0.267.1300.00	19, 41	311-007H83	7, 29	311-430H84	11, 33	311-553D84	33
0.267.4601.00	19, 41	311-007H84	7, 29	311-440H	15	311-559D	15, 39
0.267.5002.00	19, 41	311-014D	15, 35	311-440H81	15	311-561D	35
0.267.6001.00	19, 41	311-014H	7, 29	311-440H82	15	311-561D81	35
0.267.7100.00	19, 41	311-014H81	7, 29	311-440H83	15	311-561D82	35
0.267.7104.00	19, 41	311-014H82	7, 29	311-440H84	15	311-561D83	35
0.268.7500.00	19, 41	311-014H83	7, 29	311-441H	29	311-561D84	35
020614	21, 45	311-014H84	7, 29	311-441H81	29	311-565D	11, 33
020692	25, 47	311-015D	13, 37	311-441H82	29	311-566D	11, 33
041049	21	311-018H	13, 37	311-441H83	29	311-577D	11, 33
041065	21	311-019H	13, 37	311-441H84	29	311-578D	35
041068	21	311-020H	13, 37	311-442H	11, 33	311-578D81	35
041180	25	311-041S	15, 35	311-442H81	11, 33	311-578D82	35
041315	45	311-042D	13, 37	311-442H82	11, 33	311-578D83	35
041318	45	311-042S	13, 37	311-442H83	11, 33	311-578D84	35
041368	47	311-049S	13, 37	311-442H84	11, 33	311-582D	7, 29
041378	45	311-054D	15, 35	311-444H	7	311-583D	15
043487	25	311-077D	11, 33	311-444H81	7	311-583D81	15
043489	47	311-135S	15, 39	311-444H82	7	311-583D82	15
044321	21, 23, 43, 45	311-135S81	15, 39	311-444H83	7	311-583D83	15
044439	21	311-135S82	15, 39	311-444H84	7	311-583D84	15
044444	45	311-135S83	15, 39	311-445H	11, 33	311-663D	11, 33
045790	25, 47	311-135S84	15, 39	311-445H81	11, 33	338531	25, 47
045793	25, 47	311-409K	13, 37	311-445H82	11, 33	339107	21, 45
047825	25, 47	311-410K	13, 37	311-445H83	11, 33	341953	25, 47
047882	21	311-411K	13, 37	311-445H84	11, 33	365305	21, 45
047892	21	311-414H	29	311-446H	15	377234	21
048242	45	311-414H81	29	311-446H81	15	377235	45
048360	45	311-414H82	29	311-446H82	15	381495	25, 47
051551	25, 47	311-414H83	29	311-446H83	15	381924	45
053314	21, 25	311-414H84	29	311-446H84	15	381957	25, 47
053331	45, 47	311-415H	35	311-448H	7	385058	21
087279	21, 45	311-415H81	35	311-448H81	7	385689	21
1003020	23	311-415H82	35	311-448H82	7	386717	45
1004020	43	311-415H83	35	311-448H83	7	6330855	23, 43
1004227	23	311-415H84	35	311-448H84	7	6330860	23, 43
1014013	23	311-417H	11, 33	311-449H	11, 33	6690845	23, 43
1023010	23	311-417H81	11, 33	311-449H81	11, 33	8.0.1.00169	19, 41
1024010	43	311-417H82	11, 33	311-449H82	11, 33	8.1.1.00054	19, 41
1213233	23	311-417H83	11, 33	311-449H83	11, 33	8.4.1.01028	19, 41
1483049	23	311-417H84	11, 33	311-449H84	11, 33	8.5.1.00005	19, 41
1484037	43	311-418H	7, 29	311-450H	15	8.5.2.00131	19, 41
1523037	23	311-418H81	7, 29	311-450H81	15	8.5.2.01027	19, 41
1524037	23, 43	311-418H82	7, 29	311-450H82	15	8.6.5.00006	19, 41
1525037	43	311-418H83	7, 29	311-450H83	15	8.7.1.00152	19, 41
1581038	43	311-418H84	7, 29	311-450H84	15	800-053C	13, 15, 35, 37
168556	25, 47	311-420H	29	311-451H	15, 39	800-066C	15, 39
1703027	23	311-420H81	29	311-451H81	15, 39	800-078C	13, 37
1703029	23	311-420H82	29	311-451H82	15, 39	800-079C	13, 37
1704027	43	311-420H83	29	311-451H83	15, 39	801-042C	35
1704029	43	311-420H84	29	311-451H84	15, 39	802-005C	7, 29
1784210	23, 43	311-422H	11, 33	311-538D	7, 29	802-017C	7, 29
1784211	23, 43	311-422H81	11, 33	311-538D81	7, 29	802-022C	11, 33
1784212	23, 43	311-422H82	11, 33	311-538D82	7, 29	802-032C	15
1872029	23, 43	311-422H83	11, 33	311-538D83	7, 29	802-034C	7, 29, 35
1873029	23, 43	311-422H84	11, 33	311-538D84	7, 29	802-053C	7, 29
1884201	23, 43	311-423H	7, 29	311-539D	7, 29	802-068C	8, 30
1884202	23, 43	311-423H81	7, 29	311-539D81	7, 29	802-082C	15, 39
1884203	23, 43	311-423H82	7, 29	311-539D82	7, 29	802-248C	13, 37
304149	25, 47	311-423H83	7, 29	311-539D83	7, 29	802-258C	15, 35
308-400D	7, 29	311-423H84	7, 29	311-539D84	7, 29	802-477C	15, 35, 39
310-020S	7, 29	311-427H	7	311-552D	35	802-719C	15, 39
311-006H	7, 29	311-427H81	7	311-552D81	35	802-738C	11, 33
311-006H81	7, 29	311-427H82	7	311-552D82	35	803-007C	15, 39
311-006H82	7, 29	311-427H83	7	311-552D83	35	803-008C	11, 33
311-006H83	7, 29	311-427H84	7	311-552D84	35	803-014C	8, 11, 30, 33
311-006H84	7, 29	311-430H	11, 33	311-553D	11, 33	803-018C	13, 37
311-007H	7, 29	311-430H81	11, 33	311-553D81	33	803-020C	15, 35, 39



## Part Number Index (continued)

Part Number	Page	Part Number	Page
803-021C	8, 30	826-023C	35, 43
803-027C	8, 30	826-024C	35, 45
803-147C	8, 30, 35	826-257C	16, 23
803-153C	15, 39	838-415C	27, 49
803-155C	15, 39	838-517C	27, 49
803-209C	8, 30	838-537C	27, 49
803-255C	8, 30	838-689C	49
803-348C	15, 39	838-690C	49
804-007C	8, 30	838-691C	49
804-009C	11, 33	838-706C	27, 49
804-011C	11, 33	838-715C	27
804-013C	8, 11, 30, 33	838-716C	27
804-015C	8, 13, 15, 30, 35, 37, 39	838-717C	49
804-016C	35	838-897C	27, 49
804-022C	8, 30	838-911C	27
804-023C	8, 30	838-912C	27
804-094C	15	838-913C	27
805-015C	8, 30	838-917C	49
805-041C	8, 30	838-918C	49
805-065C	8, 11, 30, 33	838-919C	49
805-069C	16, 39	838-966C	27, 49
805-198C	8, 30	838-968C	27, 49
806-048C	8, 30, 35	A.259.500	19, 41
806-049C	11, 33	dwg10139	47
806-166C	8, 30	dwg10142	19, 41
807-062C	16, 39	dwg10144	45
808-081C	16	dwg10600	25
808-092C	39	dwg10973	21
808-093C	16, 39	dwg13205	43
809-079C	16	dwg17409	23
809-083C	39	dwg22298	7
815-027C	16, 35	dwg22300	11
815-028C	16, 35	dwg22305	15
815-029C	35	dwg22317	13, 37
815-254C	16	dwg22319	27
816-068C	13, 16, 35, 37	dwg22323	29
816-069C	16, 39	dwg22324	33
816-070C	16, 35, 39	dwg22326	39
816-071C	16, 39	dwg22327	35
816-084C	13, 37	dwg22329	49
816-280C	16		
816-462C	11, 33		
816-463C	11, 33		
816-472C	11, 33		
816-504C	8, 30		
818-130C	27, 49		
818-171C	27, 49		
818-190C	27, 49		
818-284C	27, 49		
818-540C	21, 23, 43, 45		
818-543C	27, 49		
818-552C	21, 23, 27, 43, 45, 49		
818-560C	27, 49		
818-858C	27, 49		
818-862C	27, 49		
818-896C	27, 49		
818-907C	27, 49		
820-055C	13, 37		
820-056C	13, 37		
822-082C	13, 16, 35, 37		
822-084C	13, 37		
822-166C	19, 41		
822-167C	19, 41		
826-015C	16, 21		
826-016C	16, 19, 35, 41		
826-016C81	16, 35		
826-016C82	16, 35		
826-016C83	16, 35		
826-016C84	16, 35		



Great Plains Manufacturing, Inc.

Corporate Office: P.O. Box 5060  
Salina, Kansas 67402-5060 USA

[www.landpride.com](http://www.landpride.com)

## Free Manuals Download Website

<http://myh66.com>

<http://usermanuals.us>

<http://www.somanuals.com>

<http://www.4manuals.cc>

<http://www.manual-lib.com>

<http://www.404manual.com>

<http://www.luxmanual.com>

<http://aubethermostatmanual.com>

Golf course search by state

<http://golfingnear.com>

Email search by domain

<http://emailbydomain.com>

Auto manuals search

<http://auto.somanuals.com>

TV manuals search

<http://tv.somanuals.com>