

Treker

4220ST & 4420ST Utility Vehicles



24700

700-504P **Parts Manual**



Read the Operator's manual entirely. When you see this symbol, the subsequent instructions and warnings are serious - follow without exception. Your life and the lives of others depend on it!

© Copyright 2007 Printed 07/25/07

Cover photo may show optional equipment not supplied with standard unit.





Table of Contents

Section 1: Introduction.....	4
Using This Manual.....	4
Manual Replacement Information.....	4
Manual Revisions.....	4
Touch-up Paint.....	4
Hardware Legend.....	5
Replacement Hardware.....	5
Serial Numbers.....	5
Part Number Service Coding.....	5

TREKER 20 SERIES

Section 2: Frame and Suspension.....	6
Lower Control Arm.....	6
Main Frame.....	8
Shock Front.....	10
Shock Rear.....	12
Trailing Arm.....	14
Section 3: Steering.....	16
Steering Components.....	16
Section 4: Throttle.....	18
Throttle Components ST.....	18
Section 5: Brakes and Shift Linkage.....	20
Brake Drum Rear Components.....	20
Brake Front Disc Components.....	22
Brake Park and Shifter Dash Mount S/N 535848-.....	24
Brake Park and Shifter Dash Mount S/N 535849+.....	26
Brake Park and Shifter Transaxle.....	28
Brake Park Caliper Components.....	30
Brake System Front.....	32
Brake System Rear.....	34
Section 6: Drive Train.....	36
Drive Belt Components.....	36
Drive Belt Driven Pulley (826-525C).....	38
Drive Belt Driver Pulley (826-523C).....	40
Engine Mounting Honda 20HP.....	42
Front Differential Axleshaft and Driveshaft.....	44
Front Differential Components.....	46
Transaxle Rear and Axle Shafts.....	50
Transaxle Rear Components.....	52
Transfer Case and Rear Driveshaft.....	54
Transfer Case Components.....	56
Section 7: Air Filtration.....	58
Air Cleaner.....	58
Section 8: Exhaust System.....	60
Exhaust Components.....	60
Section 9: Fuel System.....	62
Fuel System Components.....	62

Section 10: Electrical System.....	64
Electrical Wiring.....	64
Instrument Panel, 4 x 2.....	66
Instrument Panel, 4 x 4.....	68
Section 11: Four Post Accessory and Seat Option...70	
Bench Seat Option.....	70
Four Post Accessory Bar.....	72
Section 12: Floor Panel and Shields.....	74
Floor Panel and Shields.....	74
Section 13: Hood and Cargo Box.....	76
Cargo Box Components.....	76
Cargo Box Power Lift.....	78
Hood Assembly Components.....	80
Section 14: Tires.....	82
Front Tires.....	82
Rear Tires.....	84
Section 15: Decals.....	86
Decals.....	86
Decals and Panels Camo.....	88
Section 16: Options.....	90
Bumper Front Standard and Brush Guard Option.....	90
Part Number Index.....	92

© Copyright 2007. All rights reserved.

Land Pride provides this publication "as is" without warranty of any kind, either expressed or implied. While every precaution has been taken in the preparation of this manual, Land Pride assumes no responsibility for errors or omissions. Neither is any liability assumed for damages resulting from the use of the information contained herein. Land Pride reserves the right to revise and improve its products as it sees fit. This publication describes the state of this product at the time of its publication, and may not reflect the product in the future. The illustrations in this manual are not intended for safe and proper assembly or disassembly of equipment. The illustrations are intended for ordering parts only.

Land Pride is registered trademark.

All other brands and product names are trademarks or registered trademarks of their respective holders.

Printed in the United States of America.



Alphabetized Table of Contents

TREKER 20 SERIES

A
 Air Cleaner.....58

B
 Bench Seat Option.....70
 Brake Drum Rear Components.....20
 Brake Front Disc Components.....22
 Brake Park and Shifter Dash Mount S/N 535848-.....24
 Brake Park and Shifter Dash Mount S/N 535849+.....26
 Brake Park and Shifter Transaxle.....28
 Brake Park Caliper Components.....30
 Brake System Front.....32
 Brake System Rear.....34
 Bumper Front Standard and Brush Guard Option.....90

C
 Cargo Box Components.....76
 Cargo Box Power Lift.....78

D
 Decals.....86
 Decals and Panels Camo.....88
 Drive Belt Components.....36
 Drive Belt Driven Pulley (826-525C).....38
 Drive Belt Driver Pulley (826-523C).....40

E
 Electrical Wiring.....64
 Engine Mounting Honda 20HP.....42
 Exhaust Components.....60

F
 Floor Panel and Shields.....74
 Four Post Accessory Bar.....72
 Front Differential Axleshaft and Driveshaft.....44
 Front Differential Components.....46
 Front Tires.....82
 Fuel System Components.....62

H
 Hood Assembly Components.....80

I
 Instrument Panel, 4 x 2.....66
 Instrument Panel, 4 x 4.....68

L
 Lower Control Arm.....6

M
 Main Frame.....8

R
 Rear Tires.....84

S
 Shock Front.....10
 Shock Rear.....12
 Steering Components.....16

T
 Throttle Components ST.....18
 Trailing Arm.....14
 Transaxle Rear and Axle Shafts.....50
 Transaxle Rear Components.....52
 Transfer Case and Rear Driveshaft.....54
 Transfer Case Components.....56

General Information

Using This Manual

This manual is divided into sections. The first section contains General Information. The remaining sections divide the machine into segments (i.e. Frames, Drives, Hydraulics, etc.) which illustrate and list all parts. A Parts Number Index is located at the back of the book.

The Land Pride parts in this manual are specially designed for this machine and should be replaced with Land Pride parts only.

The information in this manual is current at time of printing. Some parts may change to assure top performance.

Right-hand and left-hand as used in this manual are determined by facing the direction the machine will travel while in use.

Below is an example of two facing pages from a parts manual. Familiarize yourself with the type of information contained on these pages.

Manual Replacement Information

Replacement manuals are available. Refer to our website at www.landpride.com, the Land Pride Support Center CD or e-mail us at lit@landpride.com for additional information. Our website continues to provide the most up-to-date manuals available.

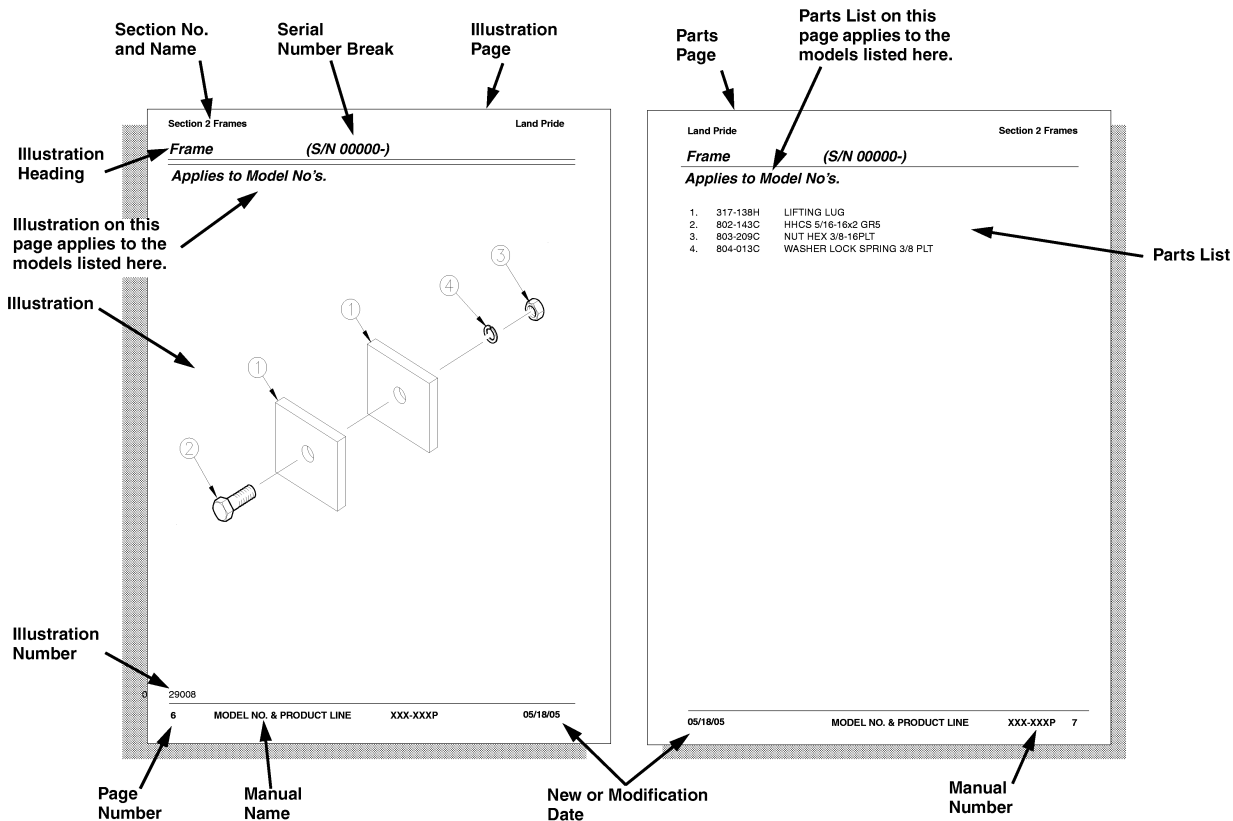
Touch-up Paint

Repaint parts where paint is worn or scratched to prevent rust. Aerosol cans and touch-up bottles with brush applicator are available through your local dealer. Land Pride color descriptions and part numbers are listed below. Also available are quart and gallon size paints. Add QT or GL to end of the Aerosol P/N.

Color	Product ¹	Aerosol	Touch-Up
Gloss Black	LP	821-032C	821-032CTU
Medium Gloss Black	UV	821-053C	821-053CTU
Beige	LP	821-011C	821-011CTU
Green	SLP	821-058C	821-058CTU
Orange	SLP	821-066C	821-066CTU
Red	SLP/UV	821-054C	821-054CTU
Blue	SLP/UV	821-067C	821-067CTU
Dark Green Sparkle	UV	821-055C	821-055CTU
Gondo Forest Green	UV	821-057C	821-057CTU
Brite Yellow ²	UV	821-056C	821-056CTU
Gondo Yellow ³	UV	821-059C	821-059CTU

Notes:

- 1 LP = All Land Pride Products except Utility Vehicles
SLP = Select Land Pride Products that are available in optional Green, Orange, Red, & Blue colors.
UV = Utility Vehicles
- 2 Used on Trekers and (Runabouts with S/N 407628-)
- 3 Used on Gondos and (Runabouts with S/N 407629+)



General Information

Hardware Legend

AR	As Required
BLADE	Blade Bolt
C	Cap Screw
CP	Cotter Pin
CPHSSS	Cup Point Hex Socket Set Screw
CPSHSS	Cup Point Square Head Set Screw
CPSQHSS	Cup Point Square Head Set Screw
CRFCHMS3	Cross Recess Flat Countersunk Head Machine Screw
CRPHMS	Cross Recess Pan Head Machine Screw
CRPHTF	Cross Recess Pan Head Thread Forming
CRRHMS	Cross Recess Round Head Machine Screw
CRTHMS	Cross Recess Truss Head Machine Screw
CSNB	Countersunk Square Neck Bolt
FHMS	Flat Head Machine Screw
FTC	Full Thread Cap Screw
H	Hex Nut
HCLN	Hex Center Lock Nut
HFLCS	Hex Flange Lock Cap Screw
HFS	Hex Flange Screw
HFSLN	Hex Flange Serrated Lock Nut
HFSS	Hex Flange Serrated Screw
HHCS	Hex Head Cap Screw or Metric Bolt
HSBHCS	Hex Socket Button Head Cap Screw
HSFCHCS	Hex Socket Flat Countersunk Head Cap Screw
HSHCS	Hex Socket Head Cap Screw
HSSS	Hex Socket Head Screw
HTLN	Hex Top Lock Nut
HWHCS	Hex Washer Head Cap Screw

HWHMS	Hex Washer Head Machine Screw
HXBHCS	Hex Socket Button Head Cap Screw
J	Hex Jam Nut
JIC	37 Degree Tapered Thread
L	Helical Spring Lock Washer
LUG	Lug Bolt
NFC	National Fine Cap Screw
NPSM	National Pipe Straight Mechanical
NPTF	National Pipe Taper Fuel
P	Wide Plain Washer
PHMS	Pan Head Machine Screw
PLOW	Plow Bolt
RHMS	Round Head Machine Screw
RHSNB	Round Head Square Neck Bolt
SCREW LEVELING	Leveling Screw
SCREW THUMB	Thumb Screw
SCREW WELD	Weld Screw
SFCHMS	Slotted Flat Countersunk Head Machine Screw
SFHMS	Slotted Fillister Head Machine Screw
SP	Special
SP SCREW	Special Screw
SQHSS	Square Head Set Screw
SRHMS	Slotted Round Head Machine Screw
SSS	Socket Set Screw
STCS	Self Tapping Cap Screw
STHMS	Slotted Truss Head Machine Screw
WHEEL	Wheel Studs and Hub Long Bolts
WING	Wing Bolt

Replacement Hardware

The **Hardware Legend** above lists hardware abbreviations used in the parts list. All bolts and nuts are Grade 5 unless otherwise noted. The use of improper grades of hardware can result in personal injury, damage to equipment, or loss of property.

Colored Replacement Parts

Land Pride offers replacement parts in factory standard colors and also on select models in Green, Orange, Red and Blue. Because of the variety of colors available, special attention must be given to the part number to prevent ordering the wrong replacement part.

A suffix number corresponding to one of the colors below must be added at the end of Land Pride's part number when ordering a replacement part with that color.

81 Green 83 Red
82 Orange 84 Blue

For example, if you are ordering a replacement part with part number 555-555C and the part you need is red, then add the suffix 83 to the end of the number to make the part number read 555-555C83. Parts ordered without a suffix number will be supplied in factory standard colors.

Black Replacement Parts

Some parts are factory standard black and some must be special ordered black. If your part is special ordered black, a second part number with the additional suffix number 85 on the end will be available. In this situation you must order that part with the suffix number for it to be black. Parts that are factory standard black will not have the suffix number.

Part Number Service Coding

Within the parts list some part numbers are coded for revisions and interchangeability. See notations in revision column.

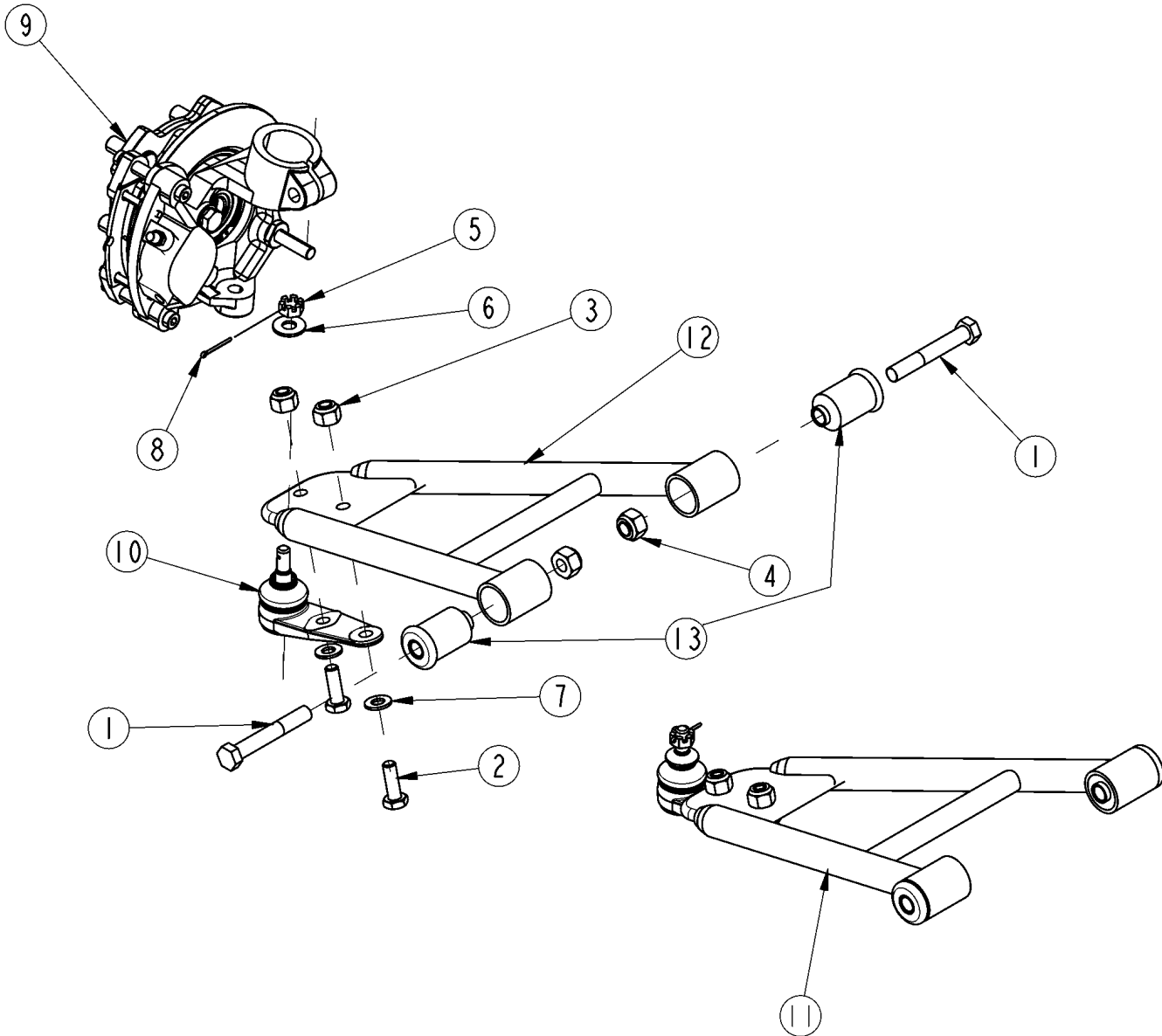
Serial Numbers

Always use the serial and model number when ordering parts. Refer to the Operator's Manual for serial number plate location.

- (S/N 20001+) Includes serial numbers 20001 and above (to the latest number)
- (S/N 10001 to 20000) Includes serial numbers between and including 10001 and 20000
- (S/N 10000-) Includes serial numbers 10000 and below (to the earliest number)

Lower Control Arm

Applies to 4220ST, 4420ST



23791

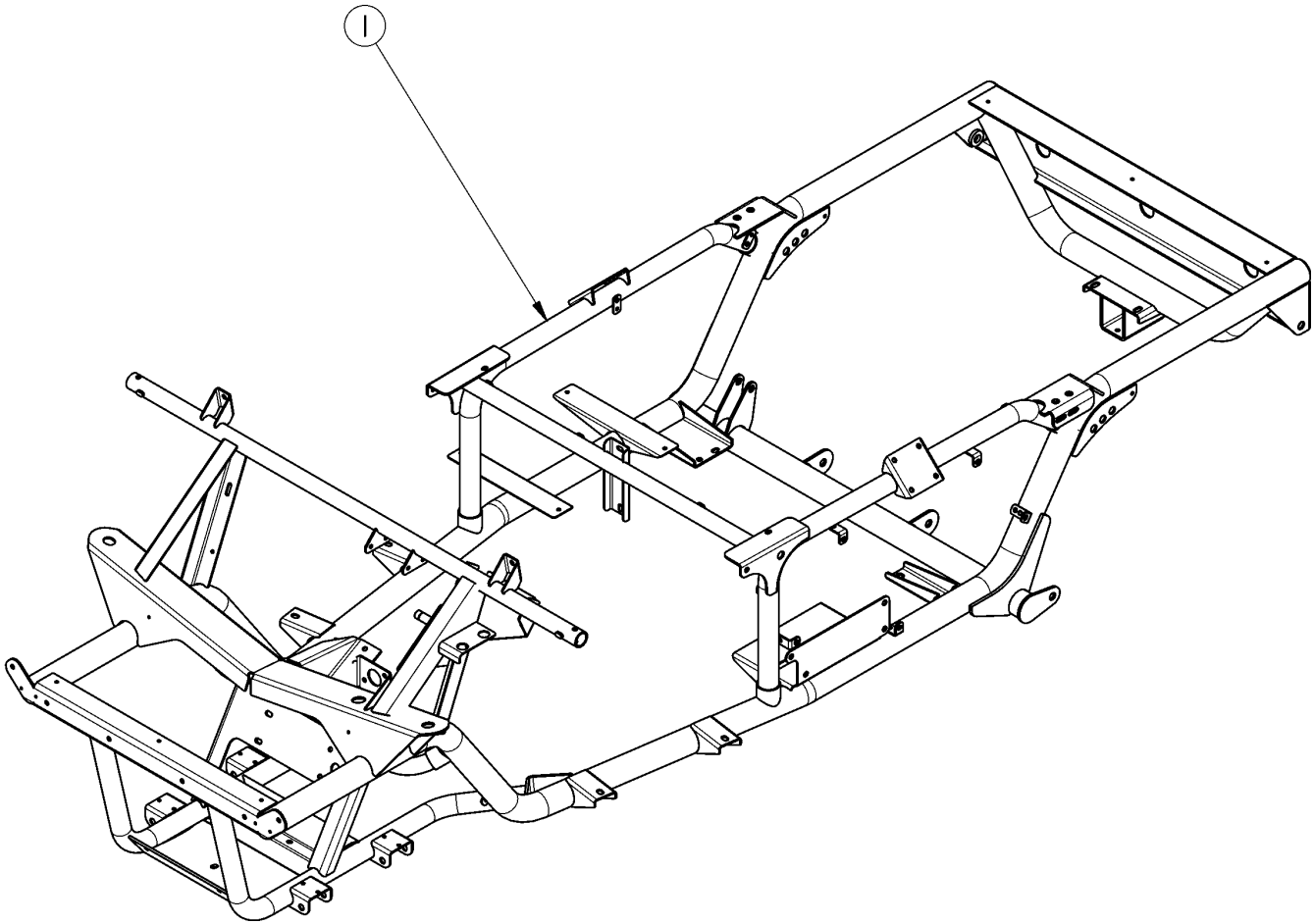
Lower Control Arm

Applies to 4220ST, 4420ST

Ref	Part No.	Part Description	Comments	Revision
	dwg23791	Drawing Image Number		
1.	802-486C	HHCS M12X1.75X80 GR8.8 PLT		
2.	802-609C	HHCS M10X1.5X30 GR8.8		
3.	803-280C	NUT HEX NYLOCK M10X1.5 PLT		
4.	803-281C	NUT HEX NYLOCK M12X1.75 PLT		
5.	803-341C	NUT HEX SLOTTED M10X1.25 PLT		
6.	804-011C	WASHER FLAT 3/8 USS PLT		
7.	804-162C	WASHER FLAT M10 PLT		
8.	805-063C	PIN COTTER 3/32 X 1 LONG		
9.	815-143C	RH DISC BRAKE ASM 172mm W/JNT		
9.	815-144C	LH DISC BRAKE ASM 172mm W/JNT		
10.	840-137C	BALL JOINT BOLT ON SIR		
11.	840-227C	A-ARM, RIGHT ASSEMBLY	Includes No. 2, 3, 5, 6, 7, 8, 10, 11, 12 & 13	
11.	840-226C	A-ARM, LEFT ASSEMBLY	Includes No. 2, 3, 5, 6, 7, 8, 10, 11, 12 & 13	
12.	840-228C	A-ARM, NEW BUSHING		
13.	840-229C	BUSHING, A-ARM		

Main Frame

Applies to 4220ST, 4420ST



23832

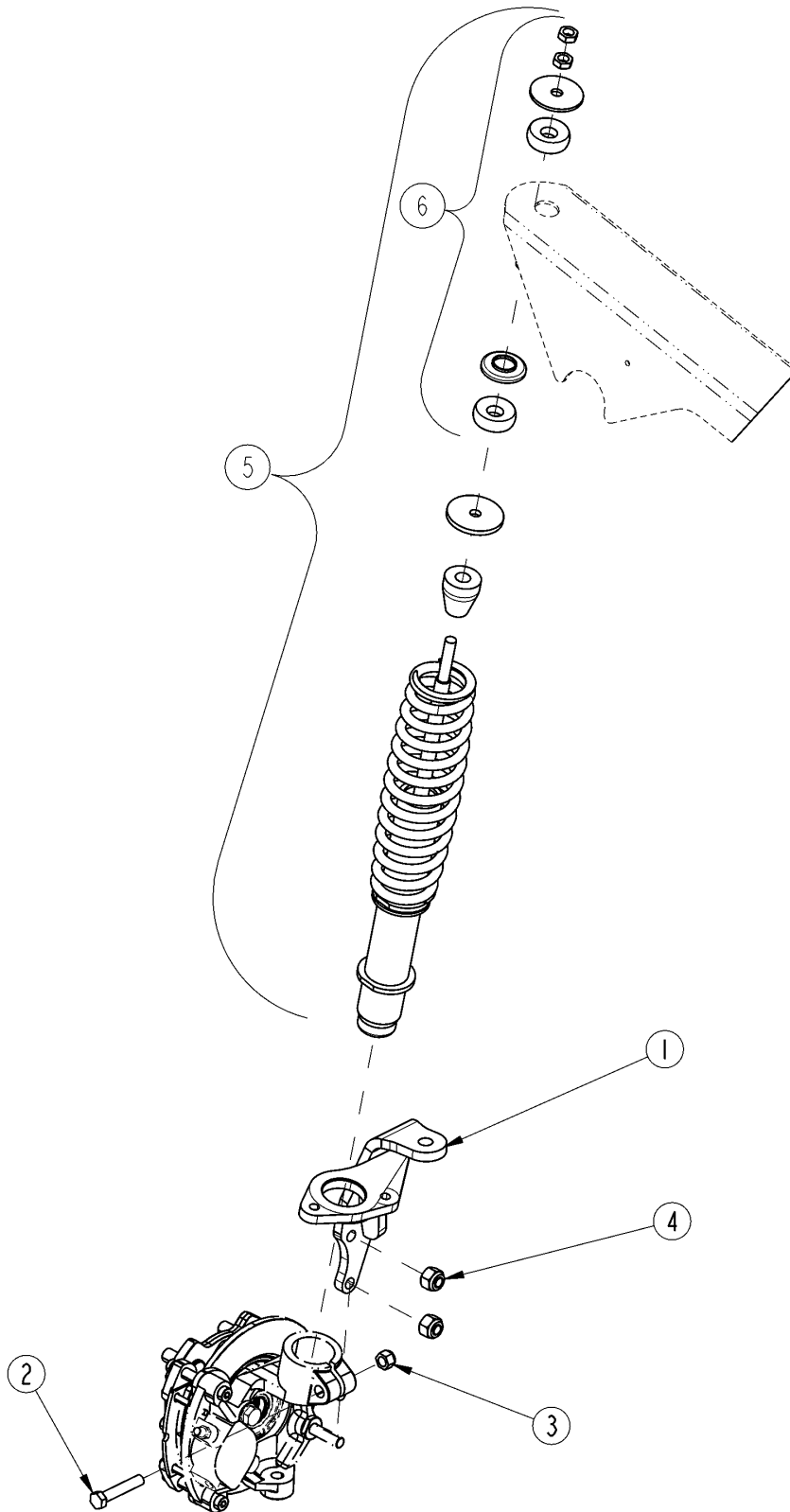
Main Frame

Applies to 4220ST, 4420ST

Ref	Part No.	Part Description	Comments	Revision
	dwg23832	Drawing Image Number		
1.	700-316A	ST 10/20 SERIES FRAME W/DECALS		

Shock Front

Applies to 4220ST, 4420ST



23892

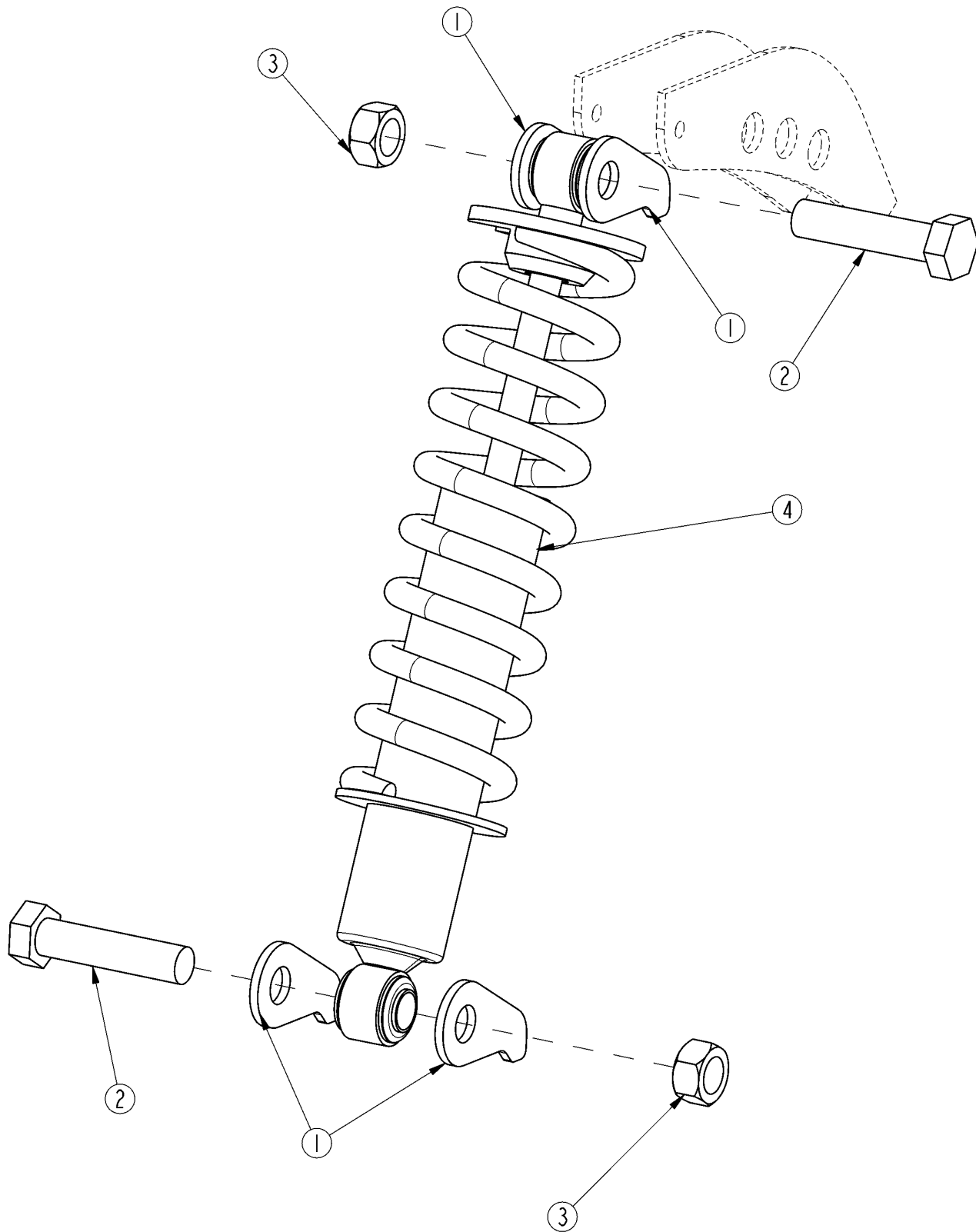
Shock Front

Applies to 4220ST, 4420ST

Ref	Part No.	Part Description	Comments	Revision
	dwg23892	Drawing Image Number		
1.	700-055H	STEERING BRACKET RIGHT		
1.	700-054H	STEERING BRACKET LEFT		
2.	802-771C	HHCS 3/8-16X2 GR8 PLT		
3.	803-078C	NUT LOCK 3/8-16 NYLON INSERT		
4.	803-280C	NUT HEX NYLOCK M10X1.5 PLT		
5.	840-321C	SHOCK COIL/STRUT FRNT TRUCK	S/N 524741+	
5.	840-100C	SHOCK COIL/STRUT FRNT TRUCK	S/N 524740-	
6.	700-131A	STRUT TOP HARDWARE KIT		

Shock Rear

Applies to 4220ST, 4420ST



21210

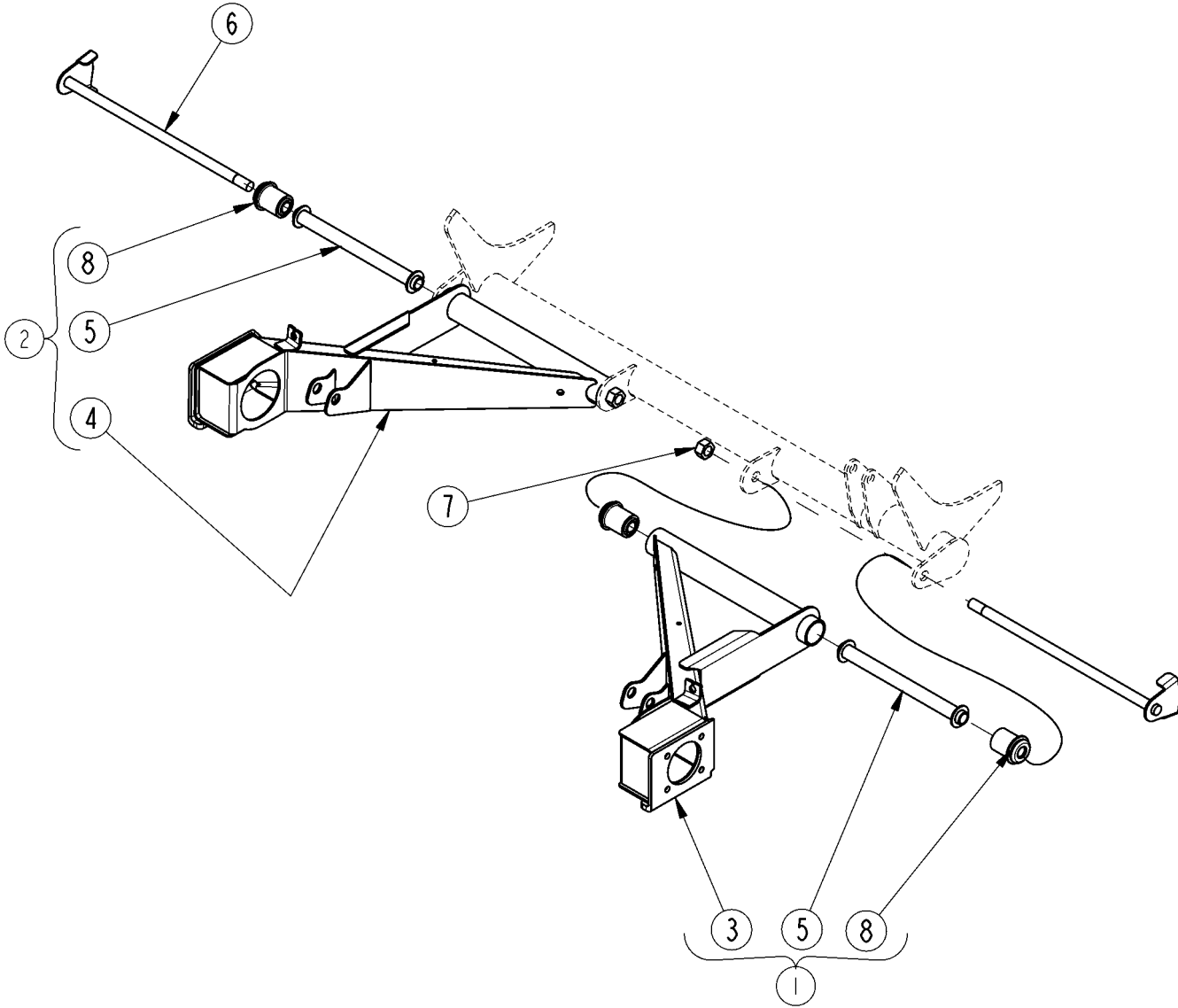
Shock Rear

Applies to 4220ST, 4420ST

Ref	Part No.	Part Description	Comments	Revision
	dwg21210	Drawing Image Number		
1.	700-212D	SHOCK SPACER PLATE		
2.	802-751C	HHCS M14X2.00X60 GR8.8		
3.	803-334C	NUT HEX NYLOCK M14X2.00		
4.	840-101C	SHOCK COIL REAR TRUCK		

Trailing Arm

Applies to 4220ST, 4420ST



24737

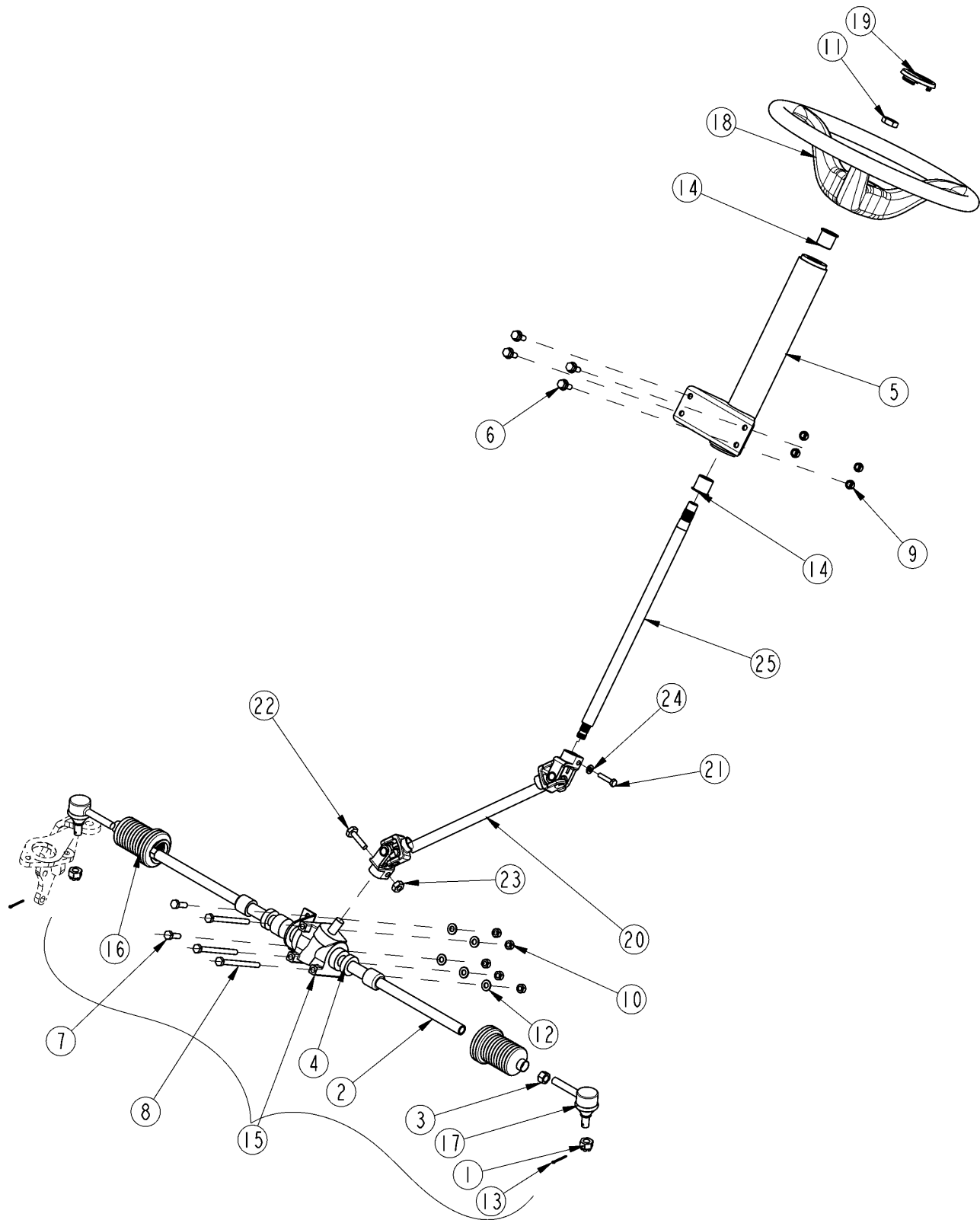
Trailing Arm

Applies to 4220ST, 4420ST

Ref	Part No.	Part Description	Comments	Revision
	dwg24737	Drawing Image Number		
1.	700-256S	TRAILING ARM RH ASSY		
2.	700-257S	TRAILING ARM LH ASSY		
3.	700-262H	TRAILING ARM RH WELDMENT		
4.	700-263H	TRAILING ARM LH WELDMENT		
5.	700-371H	CENTER PIVOT TUBE WELDMENT		
6.	700-422H	TRAILING ARM PIVOT BOLT WLDMNT		
7.	803-319C	NUT HEX TOP LOCK 9/16-12 YLW		
8.	817-517C	BUSHING IDLER ARM RUBBER		

Steering Components

Applies to 4220ST, 4420ST



22117

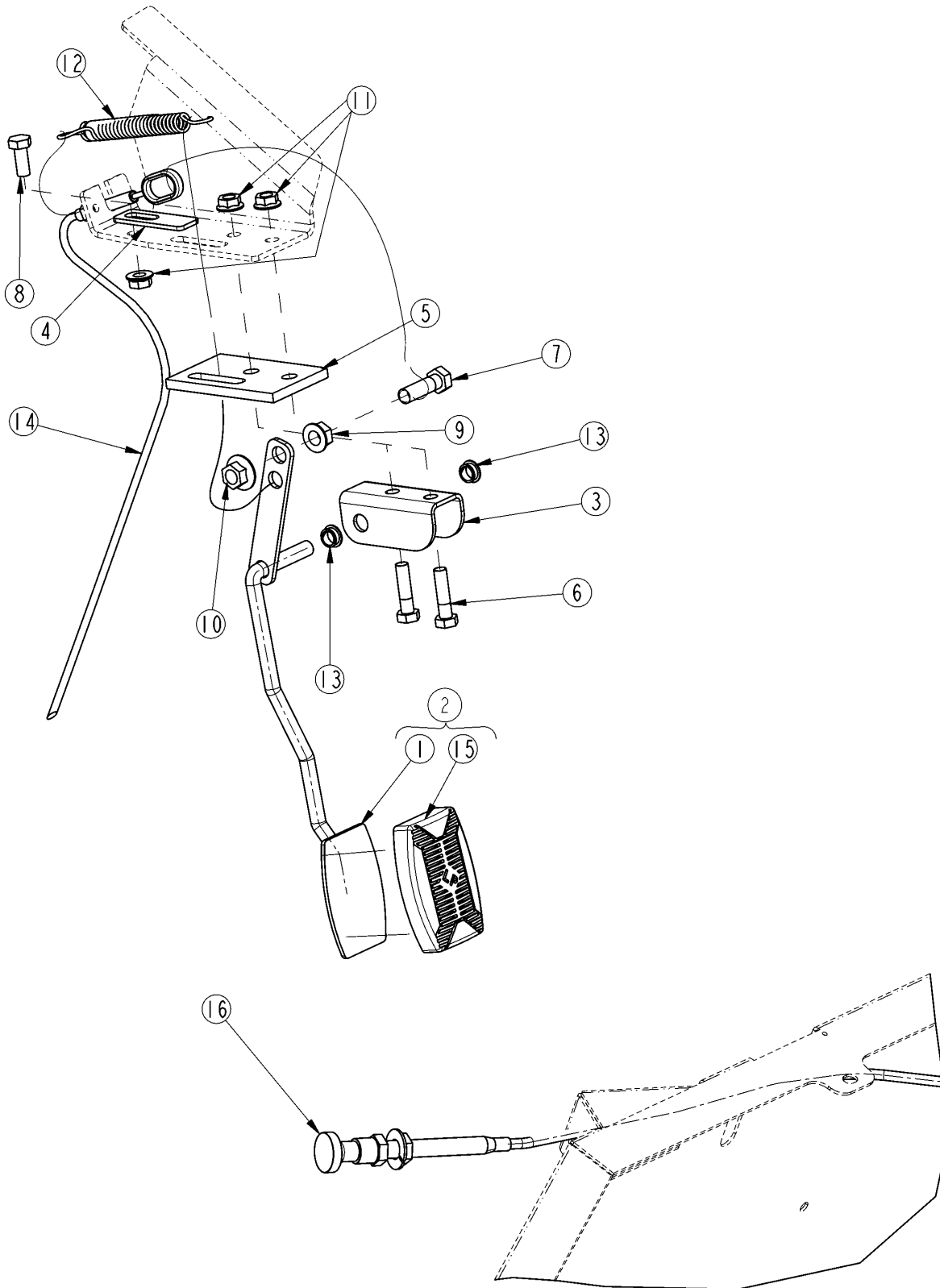
Steering Components

Applies to 4220ST, 4420ST

Ref	Part No.	Part Description	Comments	Revision
	dwg22117	Drawing Image Number		
1.	9175	NUT HEX SLOTTED M12X1.25 PLT		
2.	680002	TIE ROD W/BALL 826-399C/400C		
3.	43142100	NUT HEX M14X1.5 PLT		
4.	47002300	SPACER 826-399C/400C		
5.	700-060H	STEERING COLUMN WELDMENT		
6.	802-387C	HFS 5/16-18X3/4 GR5		
7.	802-714C	HHCS M8X1.25X25 GR8.8 YLW PLT		
8.	802-760C	HHCS M8X1.25X100 GR8.8 PLT		
9.	803-084C	NUT HEX NYLOCK 5/16-18 PLT		
10.	803-278C	NUT HEX NYLOCK M8X1.25 PLT		
11.	803-283C	NUT HEX M16X2.00X8MM THK PLT		
12.	804-084C	WASHER FLAT 5/16 HARD ASTM F436		
13.	805-063C	PIN COTTER 3/32 X 1 LONG		
14.	817-525C	BUSHING 1 OD X .75ID X 1		
15.	826-400C	RACK & PINION ST		
16.	0909001	BOOT 826-399C/400C		
17.	0180006	TIE ROD END 826-399C/400C		
18.	840-064C	STEERING WHEEL		
19.	840-065C	CAP 2 ID PLASTIC (BDY/STRG WHL		
20.	840-093C	STEERING SHAFT TRUCK		
21.	23035	MVL BOLT FOR 840-093C		
22.	802-628C	HHCS M10X1.5X35 PLT		
23.	803-280C	NUT HEX NYLOCK M10X1.5 PLT		
24.	20061	MVL SPRING WASHER FOR 840-093C		
25.	840-130C	UPPER STEERING SHAFT TRUCK ASM		

Throttle Components ST

Applies to 4220ST, 4420ST



21264

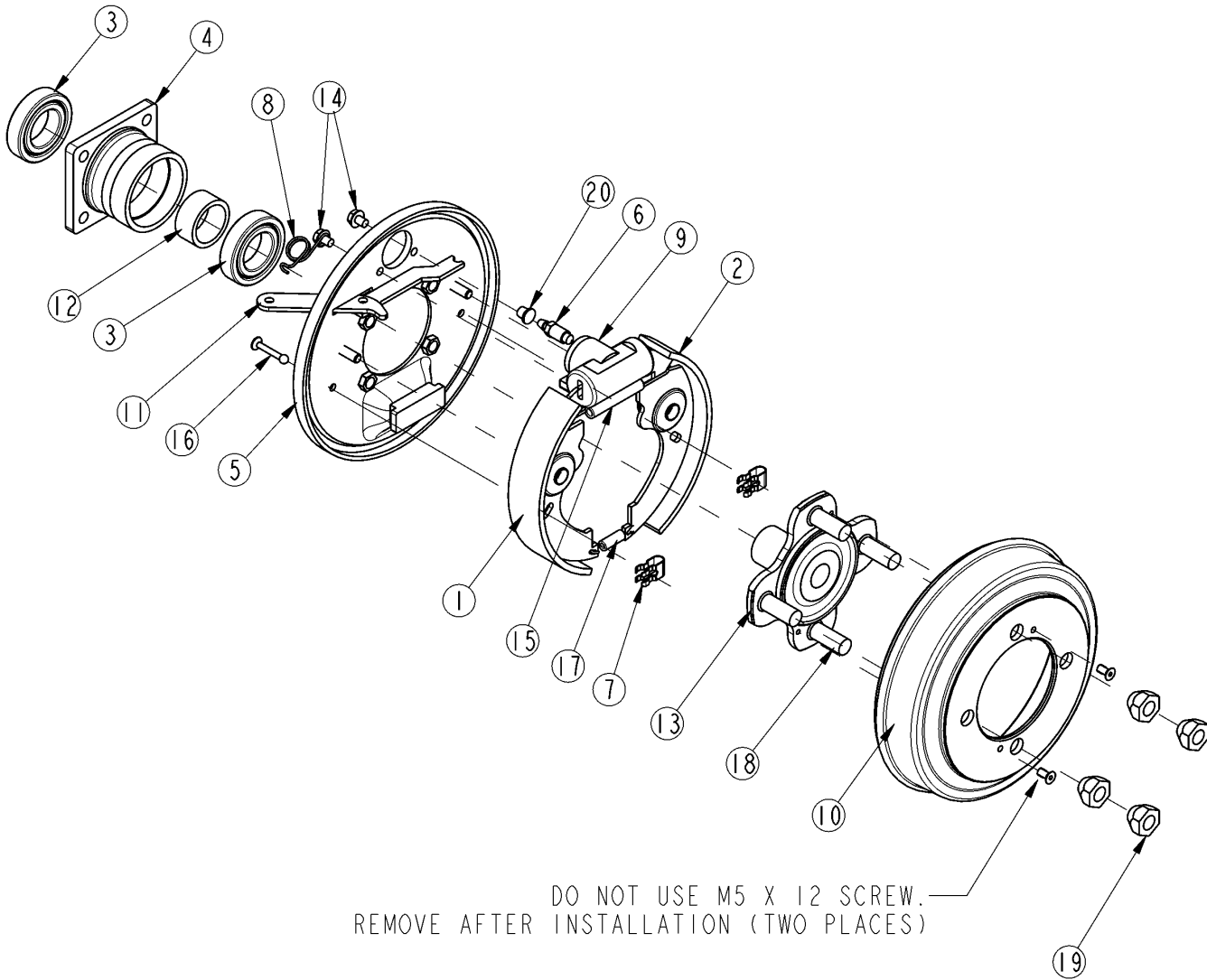
Throttle Components ST

Applies to 4220ST, 4420ST

Ref	Part No.	Part Description	Comments	Revision
	dwg21264	Drawing Image Number		
1.	700-127H	GAS PEDAL WELDMENT		
2.	700-128S	GAS PEDAL W/PAD ASSEMBLY		
3.	700-129D	GAS PEDAL MOUNT		
4.	700-206D	GAS PEDAL ADJUSTMENT PLATE		
5.	700-255D	BODY MOUNT SPACER .375 THICK	Use as needed	
5.	700-254D	BODY MOUNT SPACER .25 THICK	Use as needed	
6.	802-010C	HHCS 5/16-18X1 1/4 GR5		
7.	802-079C	HHCS 3/8-16X1 1/4 GR5		
8.	802-735C	HHCS 5/16-18X3/4 GR5 YELLOW DIE		
9.	803-068C	NUT HEX FLANGE 3/8-16 PLT		
10.	803-086C	NUT MAC-LOK FLG 3/8-16 GR F		
12.	807-227C	SPRING EXT .5OD .075W 2.75LG		
11.	803-177C	NUT HEX LOCK 5/16-18 FLG.		
13.	817-540C	BUSHING NYLON 3/8ID (SNAP IN)		
14.	840-002C	THROTTLE CABLE		
15.	840-134C	BRAKE/ACCELERATOR PEDAL RUBBER		
16.	840-241C	CHOKE CABLE ST		

Brake Drum Rear Components

Applies to 4220ST, 4420ST



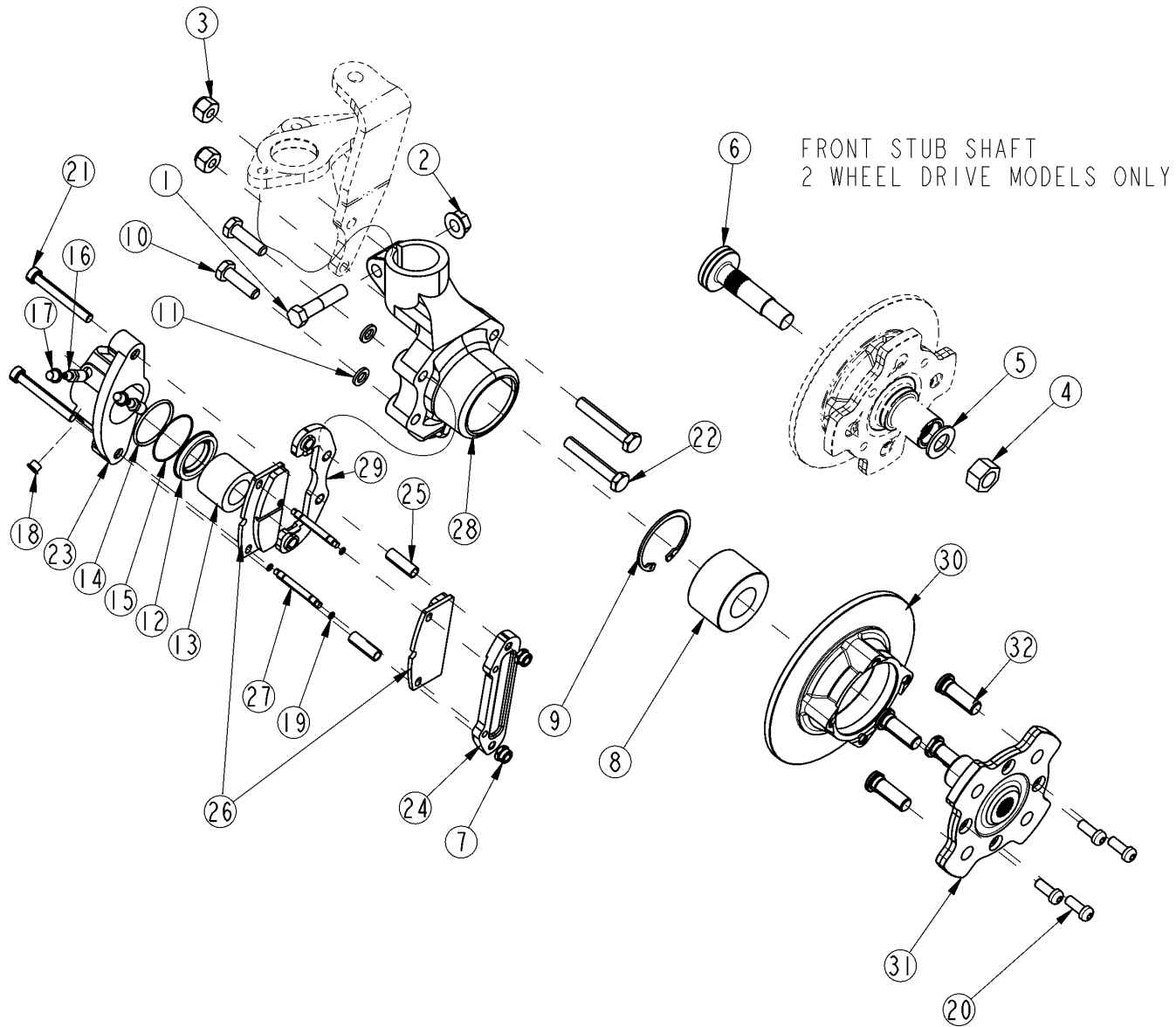
Brake Drum Rear Components

Applies to 4220ST, 4420ST

Ref	Part No.	Part Description	Comments	Revision
	dwg21159	Drawing Image Number		
	815-145C	RH DRUM ASM 180mm 4 ON 4" BC	ITEM 19 NOT INCLUDED	
	815-146C	LH DRUM ASM 180mm 4 ON 4" BC	ITEM 19 NOT INCLUDED	
1.	F136	LEFT SHOE		
2.	F137	RIGHT SHOE		
3.	F777	BALL BEARING		
4.	F855	BEARING HOLDER HUB		
5.	F179	BRAKE SHOE DISC RH		
5.	F178	BRAKE SHOE DISC LH		
6.	F827	BLEEDER SCREW		
7.	F622	SHOES LOCKING SPRING		
8.	F792	RIGHT SPRING/HAND BRAKE LEVER		
8.	F793	LEFT SPRING/HAND BRAKE LEVER		
9.	F261	HYDRAULIC CYLINDER		
10.	F908	DRUM		
11.	F176	RIGHT LEVERS SET		
11.	F177	LEFT LEVERS SET		
12.	F852	CMX SPACER		
13.	F175	BRAKE FLANGE HUB W/STUDS		
14.	F258	SCREW M6 x 40		
15.	F610	UPPER RETURN SPRING		
16.	F621	SPRING PIN		
17.	F609	LOWER RETURN SPRING		
18.	F909	STUD		
19.	803-329C	NUT LUG 1/2-20 x 60 DEG PLT (.81AF)		
20.	F828	BOOT		

Brake Front Disc Components

Applies to 4220ST, 4420ST



21221

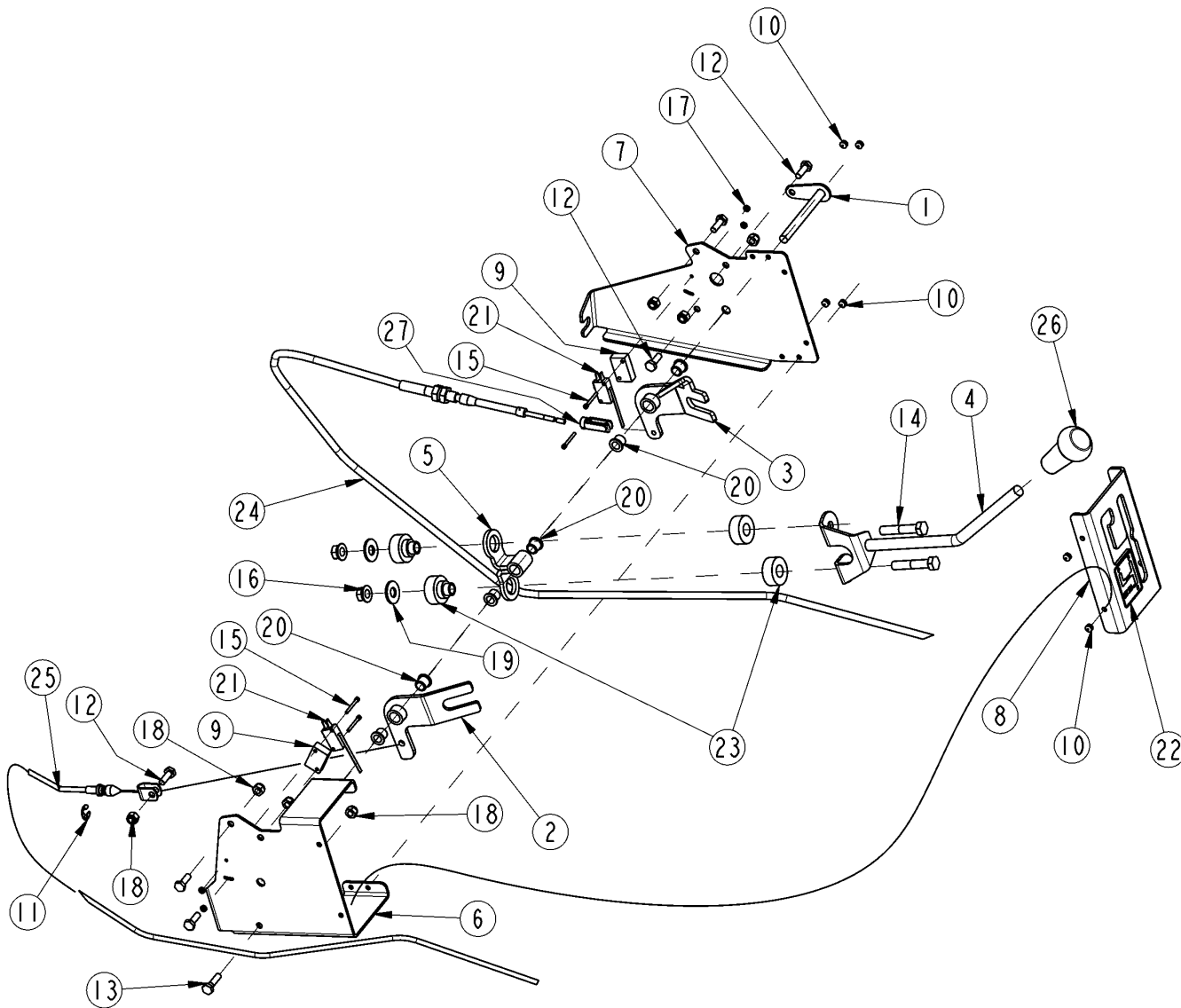
Brake Front Disc Components

Applies to 4220ST, 4420ST

Ref	Part No.	Part Description	Comments	Revision
	dwg21221	Drawing Image Number		
	815-143C	RH DISC BRAKE ASM 172mm W/JNT	Does Not Include #3, #4 #5 or #6	Rev. 2
	815-144C	LH DISC BRAKE ASM 172mm W/JNT	Does Not Include #3, #4 #5 or #6	Rev. 2
1.	802-589C	HHCS 7/16-14X2 GR5		
2.	803-229C	NUT HEX FLANGE LOC 7/16-14 PLT		
3.	803-280C	NUT HEX NYLOCK M10X1.5 PLT		
4.	803-332C	NUT HEX M16X1.5 TOP LOCK PLT		
5.	804-005C	FLAT WASHER M16 NARROW PLT		
6.	815-147C	FRNT DISC BRAKE STUB SHAFT 2WD		
7.	D2041	NUT M8		
8.	F763	BALL BEARING 60,05X30X37		
9.	F765	SNAP RING		
10.	F772	SCREW M 10 X 1.25 X 35		
11.	F773	M 10 WASHER		
12.	F824	DUST BOOT RING		
13.	F822	CAP		
14.	F823	SEALING RING		
15.	F820	RUBBER DUST BOOT		
16.	F827	BLEEDER SCREW		
17.	F828	BOOT		
18.	F829	PLUG		
19.	F832	ELASTIC RING		
20.	F845	SCREW M8 X 20		
21.	F774	SCREW M8 X 65		
22.	F799	HHS M10X1.5X50 PLT		
23.	F813	CALIPER BODY		
24.	F815	REACTION BRACKET		
25.	F818	SPACER		
26.	F1004	BRAKE PAD KIT (PER WHEEL)		
27.	F826	PIN		
28.	F840	WHEEL PIVOT		Rev. 2
29.	F834	CALIPER CLAMPING PLATE		
30.	F843	DISC BRAKE		
31.	F896	FLANGE FOR DISC BRAKE		
32.	F909	STUD		

Brake Park and Shifter Dash Mount S/N 535848-

Applies to 4220ST, 4420ST



23798

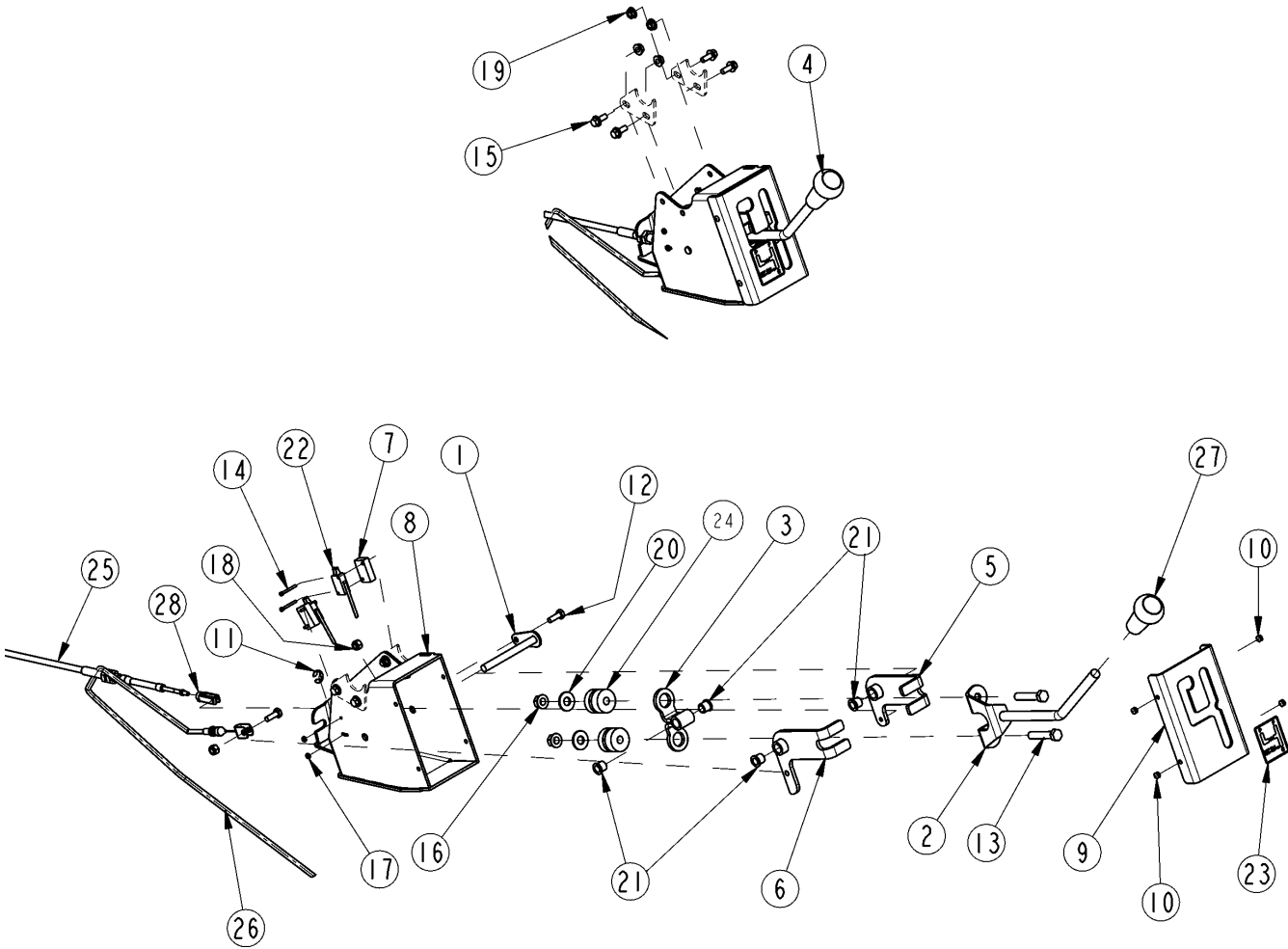
Brake Park and Shifter Dash Mount S/N 535848-**Applies to 4220ST, 4420ST**

Ref	Part No.	Part Description	Comments	Revision
	dwg23798	Drawing Image Number		
1.	700-255H	PIN WELDMENT		
2.	700-398S	KIT, LH/RH FORK LEVER		
2.	700-269H	RPBY 700-398S		
3.	700-398S	KIT, LH/RH FORK LEVER		
3.	700-270H	RPBY 700-398S		
4.	700-271H	SHIFT LEVER WLDMNT		
5.	700-272H	SHIFT LEVER LOWER WLDMNT		
6.	700-449H	WELDMENT, SHIFTER HOUSING		
6.	700-399D	RPBY 700-449H		
7.	700-449H	WELDMENT, SHIFTER HOUSING		
7.	700-400D	RPBY 700-449H		
8.	700-450D	PLATE, SHIFTER GATE		
8.	700-406D	RPBY 700-450D		
9.	700-419D	SPACER PLATE		
10.	800-128C	RIVET POP 3/16 .375 SSD66BS		
11.	800-351C	E RETAINING RING EXTERNAL		
12.	802-004C	HHCS 1/4-20X3/4 GR5		
13.	802-005C	HHCS 1/4-20X1 GR5		
14.	802-143C	HHCS 3/8-16X2 GR5		
15.	802-788C	HSHCS #4-40X1		
16.	803-209C	NUT FLANGE LOCK 3/8-16 PLT		
17.	803-211C	NUT HEX #4-40 PLT		
18.	803-255C	NUT HEX NYLOCK 1/4-20		
19.	804-011C	WASHER FLAT 3/8 USS PLT		
20.	817-019C	BUSHING 1/2ODX3/8IDX1/2 FLG		
21.	833-330C	PARK BRAKE MICRO-SWITCH		
22.	838-777C	DASH SHIFTER DECAL		
23.	840-080C	MOUNT MOTOR H SYTLE		
24.	840-270C	SHIFT CABLE (DASH)		
25.	840-271C	PARK BRAKE CABLE 105.00" LG		
26.	840-288C	DASH SHIFTER KNOB		
27.	890-884C	YOKE 10-32 W/ LOCK		

Brake Park and Shifter Dash Mount S/N 535849+

Applies to 4220ST, 4420ST

SHIFTER/PARK
BRAKE MOUNTING



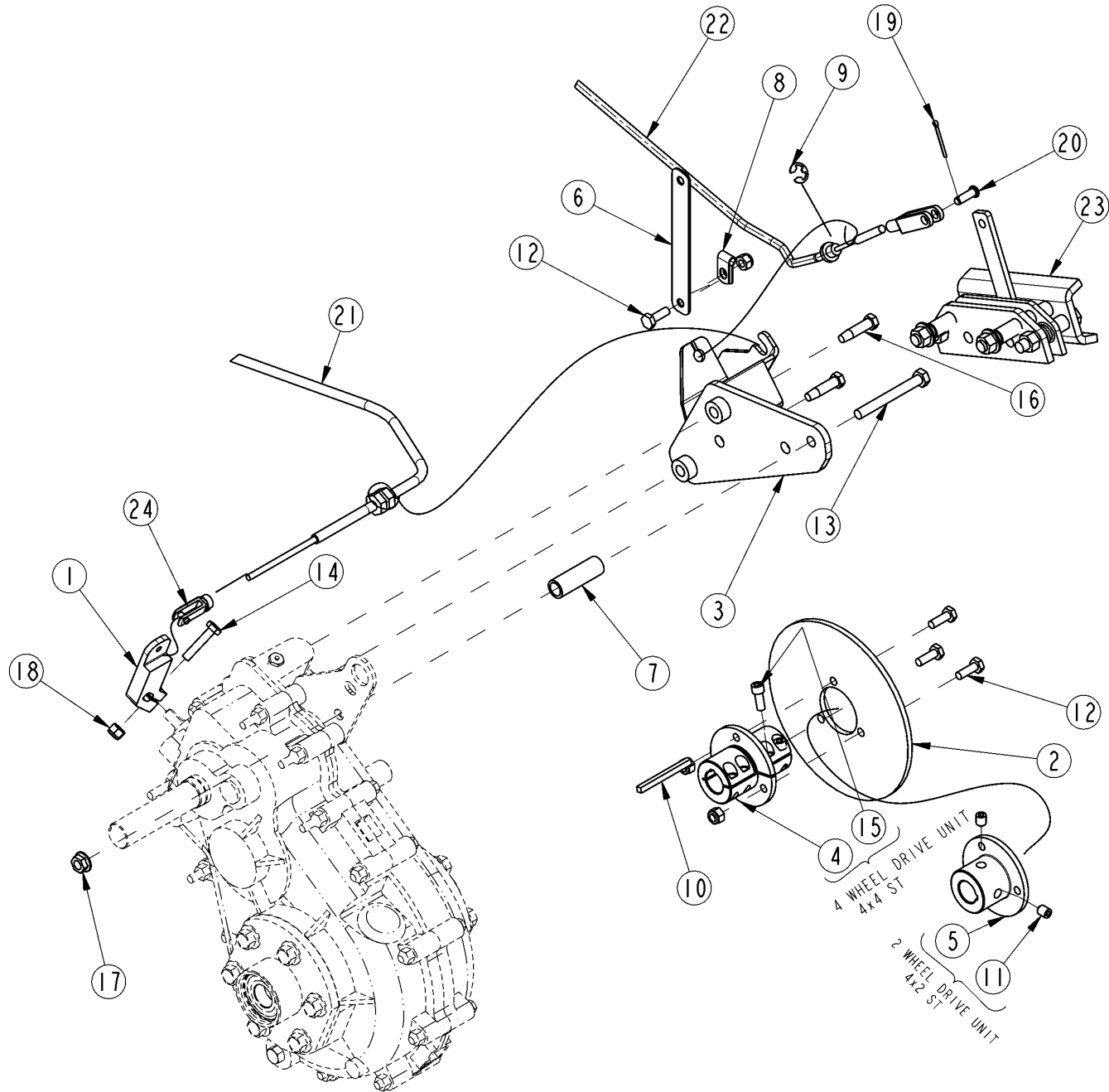
25599

Brake Park and Shifter Dash Mount S/N 535849+**Applies to 4220ST, 4420ST**

Ref	Part No.	Part Description	Comments	Revision
	dwg25599	Drawing Image Number		
1.	700-255H	PIN WELDMENT		
2.	700-271H	SHIFT LEVER WLDMNT		
3.	700-272H	SHIFT LEVER LOWER WLDMNT		
4.	700-273S	SHIFTER ASSEMBLY		
5.	700-414H	WELDMENT, F-N-R LEVER		
6.	700-415H	WELDMENT, PARK BRAKE LEVER		
7.	700-419D	SPACER PLATE		
8.	700-449H	WELDMENT, SHIFTER HOUSING		
9.	700-450D	PLATE, SHIFTER GATE		
10.	800-128C	RIVET POP 3/16 .375 SSD66BS		
11.	800-351C	E RETAINING RING EXTERNAL		
12.	802-004C	HHCS 1/4-20X3/4 GR5		
13.	802-143C	HHCS 3/8-16X2 GR5		
14.	802-788C	HSHCS #4-40X1		
15.	802-811C	HFS 1/4-20X5/8 GR5 ZNYCR		
16.	803-209C	NUT FLANGE LOCK 3/8-16 PLT		
17.	803-211C	NUT HEX #4-40 PLT		
18.	803-255C	NUT HEX NYLOCK 1/4-20		
19.	803-293C	NUT HEX FLG TL 1/4-20 ZNYCR		
20.	804-011C	WASHER FLAT 3/8 USS PLT		
21.	817-019C	BUSHING 1/2ODX3/8IDX1/2 FLG		
22.	833-330C	PARK BRAKE MICRO-SWITCH		
23.	838-777C	DASH SHIFTER DECAL		
24.	840-080C	MOUNT MOTOR H SYTLE		
25.	840-270C	SHIFT CABLE (DASH)		
26.	840-271C	PARK BRAKE CABLE 105.00" LG		
27.	840-288C	DASH SHIFTER KNOB		
28.	890-884C	YOKE 10-32 W/ LOCK		

Brake Park and Shifter Transaxle

Applies to 4220ST, 4420ST



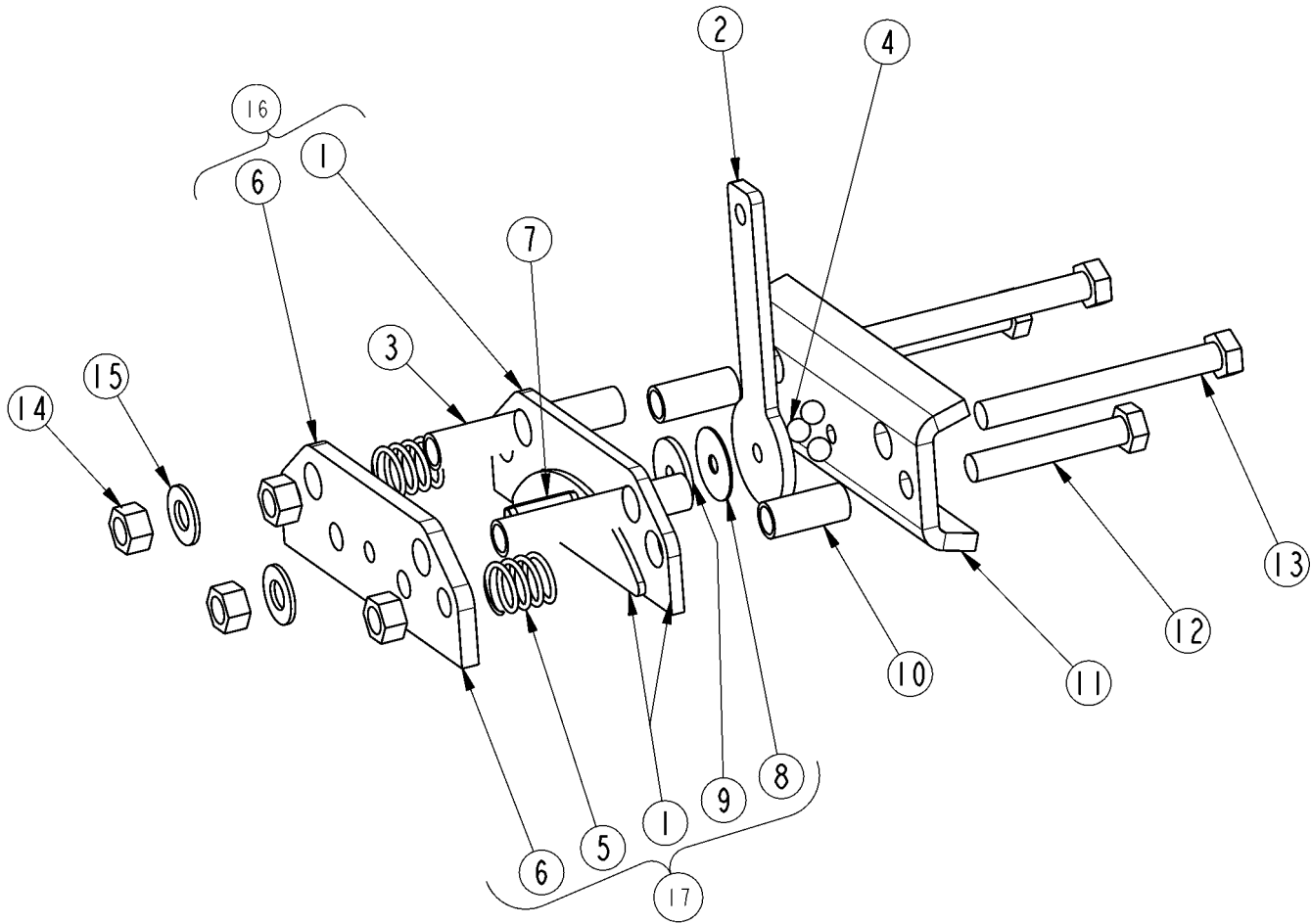
23878

Brake Park and Shifter Transaxle**Applies to 4220ST, 4420ST**

Ref	Part No.	Part Description	Comments	Revision
	dwg23878	Drawing Image Number		
	700-447A	PARK BRAKE UPDATE SERVICE KIT	For S/N 000000- 4210ST and 4410ST	
		*		
1.	700-378D	SHIFT LEVER		
2.	700-418D	BRAKE DISC		
3.	700-423H	CALIPER MOUNT BRACKET		
4.	700-446D	CLAMP COUPLING		
5.	700-449D	BRAKE HUB ADAPTER		
6.	700-524D	BRAKE CABLE CLIP PLATE		
7.	700-525D	CALIPER SPACER TUBE		
8.	800-347C	WIRING/TUBE CLIP FOR 1/4 OD		
9.	800-351C	E RETAINING RING EXTERNAL		
10.	800-366C	KEY .187 X .187 X 2.25 LG		
11.	801-035C	SCREW SET 5/16-18 SKT KP X 3/8		
12.	802-004C	HHCS 1/4-20X3/4 GR5		
13.	802-197C	HHCS 5/16-18X2 3/4 GR5		
14.	802-769C	HHCS 1/4-20X1 1/4 GR8		
15.	802-774C	HSHCS 1/4-28X5/8		
16.	802-809C	HWH 5/16-18X1 1/4 THREAD-ROLL		
17.	803-177C	NUT HEX FLG TOP LK 5/16-18 YLW		
18.	803-255C	NUT HEX NYLOCK 1/4-20		
19.	805-063C	PIN COTTER 3/32 X 1 LONG		
20.	805-342C	PIN CLEVIS 1/4 X 3/4		
21.	840-270C	SHIFT CABLE (DASH)		
22.	840-271C	PARK BRAKE CABLE 105.00" LG		
23.	840-312C	BRAKE CALIPER		
24.	890-884C	YOKE 10-32 W/ LOCK		

Brake Park Caliper Components

Applies to 4220ST, 4420ST



23884

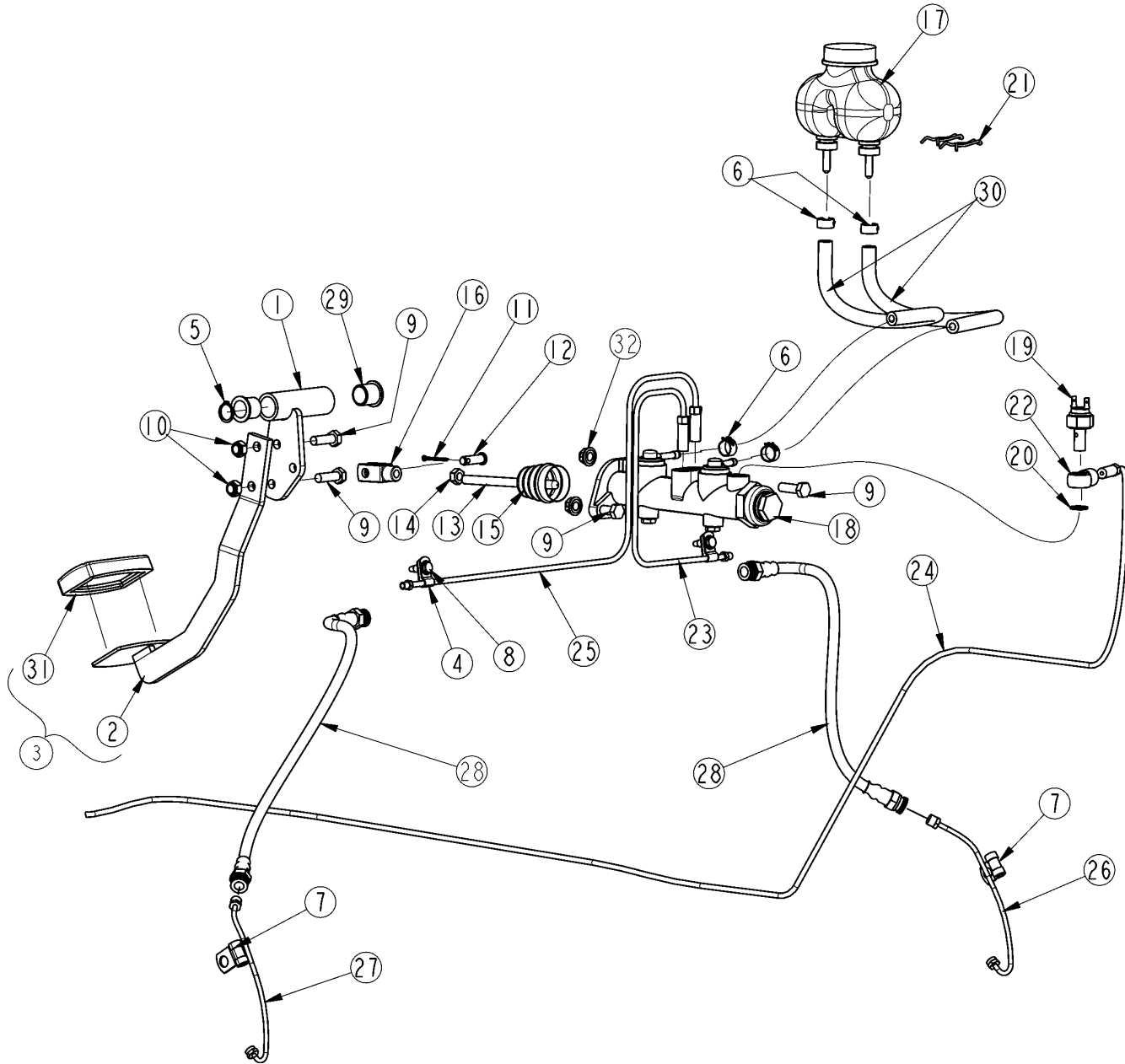
Brake Park Caliper Components

Applies to 4220ST, 4420ST

Ref	Part No.	Part Description	Comments	Revision
	dwg23884	Drawing Image Number		
	840-312C	BRAKE CALIPER *		
1.	82775	STATOR ASSEMBLY		
2.	82779	LEVER		
3.	82781	SLEEVE		
4.	82785	STEEL BALL		
5.	82788	COMPRESSION SPRING		
6.	82960	STATOR ASSEMBLY		
7.	82967	SPRING PIN SLOTTED		
8.	82968	SHIM		
9.	83113	THRUST WASHER		
10.	83465	SLEEVE		
11.	85578	STATIONARY ACTUATOR		
12.	802-382C	HHCS 3/8-16X2 1/4 GR5		
13.	802-781C	HHCS 3/8-16X3 1/2 GR8 PLT		
14.	803-123C	NUT HEX TOP LOCK 3/8-16 PLT		
15.	804-012C	WASHER FLAT 3/8 SAE PLT		
16.	PK-1660	BRAKE PAD REPLACEMENT KIT		
17.	PK-1584	CALIPER REPAIR KIT		

Brake System Front

Applies to 4220ST, 4420ST



21219

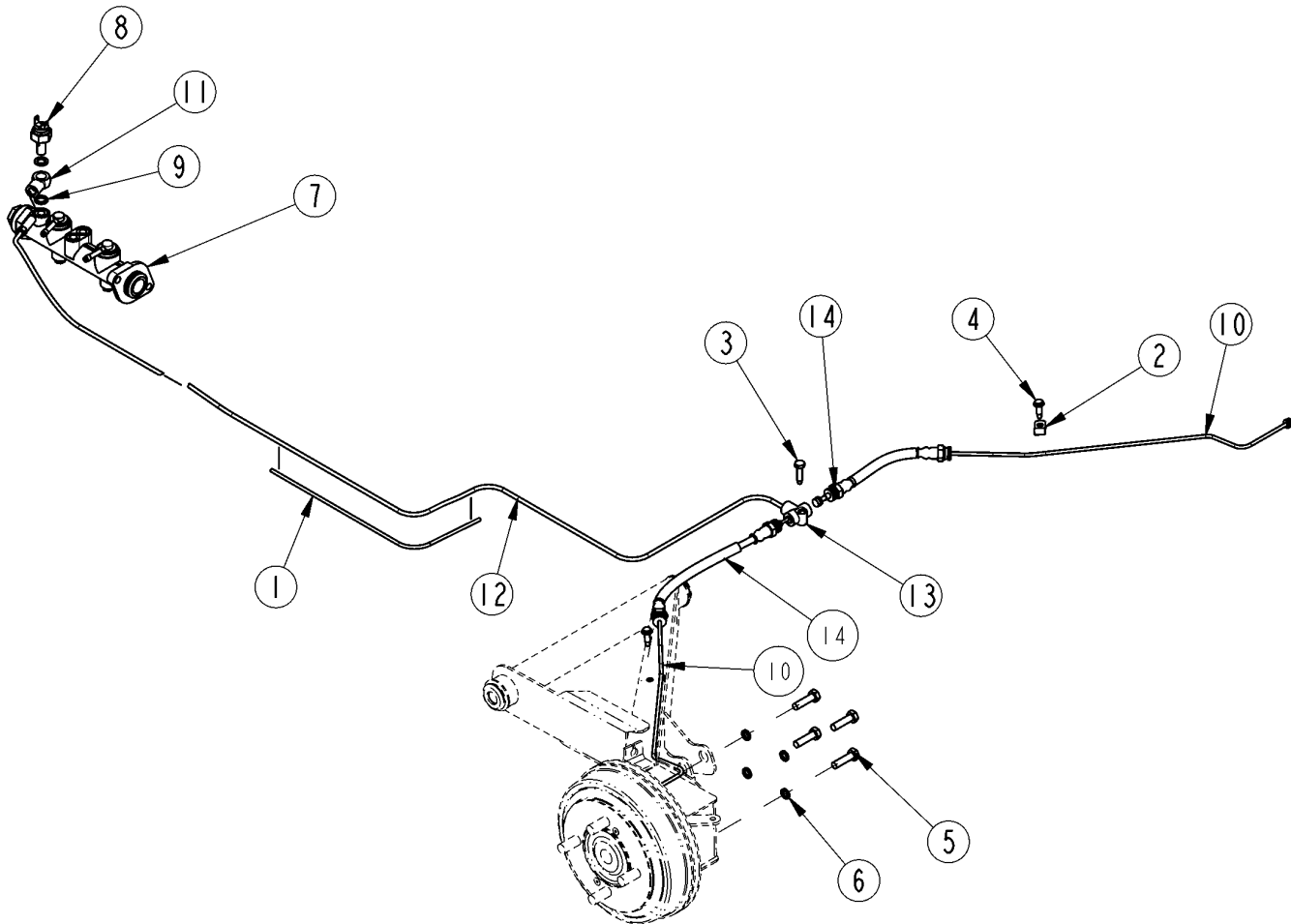
Brake System Front

Applies to 4220ST, 4420ST

Ref	Part No.	Part Description	Comments	Revision
	dwg21219	Drawing Image Number		
1.	700-056H	BRAKE PEDAL PIVOT WELDMENT		
2.	700-342H	BRAKE PEDAL ARM WELDMENT		
3.	700-341S	BRAKE PEDAL W/PAD ASSEMBLY		
4.	800-347C	WIRING/TUBE CLIP FOR 1/4 OD		
5.	800-355C	RETAINING RING 5/8 EXT.		
6.	800-356C	CLAMP PINCH FOR .50 OD HOSE		
7.	800-360C	HOSE CLAMP 1/4 ID		
8.	801-174C	HH DRILL SCREW 1/4 x 3/4 LG		
9.	802-738C	HHCS 5/16-18 x 1 GR5 YELLOW DIE		
10.	803-084C	NUT HEX NYLOCK 5/16-18 PLT		
11.	805-063C	PIN COTTER 3/32 x 1 LONG		
12.	805-066C	PIN CLEVIS 5/16 x 1		
13.	815-150C	MASTER CYLINDER PUSH ROD		
14.	815-151C	JAM NUT MASTER CYL. PUSH ROD		
15.	815-152C	MASTER CYLINDER BOOT		
16.	815-154C	MASTER CYLINDER CLEVIS		
17.	815-155C	DUAL RESERVOIR BRAKE FLUID W/CAP		
18.	815-156C	DUAL MASTER CYLINDER		
19.	815-157C	MASTER CYLINDER PRESS. SWITCH		
20.	815-158C	MSTR CYL CPPR WSHR 16X10X1.5MM		
21.	815-163C	MASTER CYLINDER RESERVOIR CLIP		
22.	815-167C	BULK HEAD FLOW THROUGH		
23.	815-173C	FRONT BRAKE LINE LH		
24.	815-175C	ST STEEL BRAKE LINE		
25.	815-174C	FRONT BRAKE LINE 21 1/4 RH ST		
26.	815-190C	FRNT BRAKE LINE END LH STEEL		
27.	815-196C	FRNT BRAKE LINE END RH STEEL		
28.	815-210C	BRAKE LINE RBR 17" M10 x 1 FEMALE		
29.	817-526C	BUSHING 3/4 OD x 5/8 ID x 3/4 FLG HD		
30.	840-104C	12.5" FUEL LINE/HYDRAULIC FLUID RESVOIR.		
31.	840-134C	BRAKE/ACCELERATOR PEDAL RUBBER		
32.	803-177C	NUT HEX FLG TOP LK 5/16-18 YLW		

Brake System Rear

Applies to 4220ST, 4420ST



23797

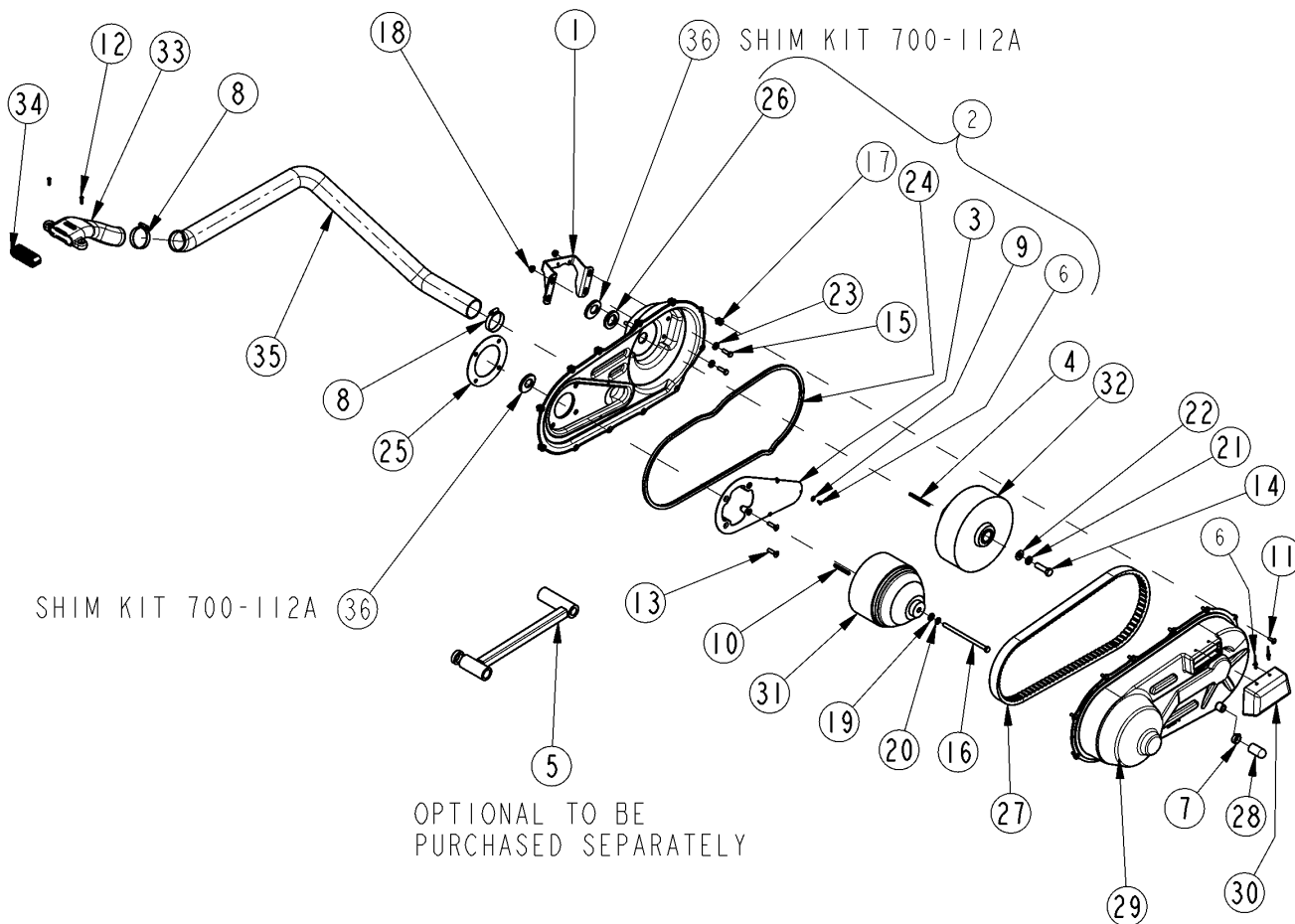
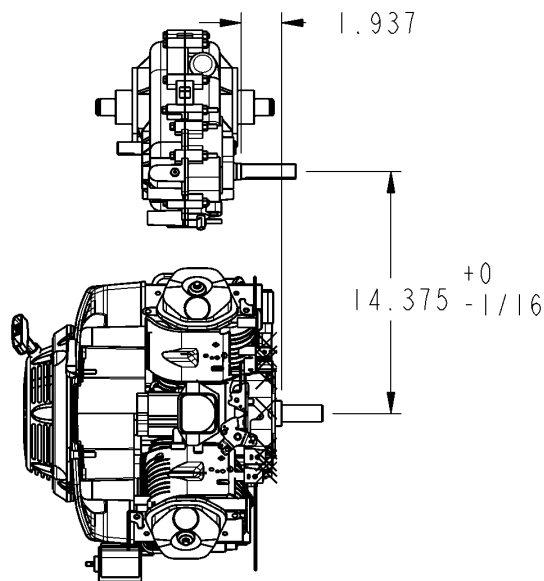
Brake System Rear**Applies to 4220ST, 4420ST**

Ref	Part No.	Part Description	Comments	Revision
	dwg23797	Drawing Image Number		
1.	700-454D	COVER, BRAKE LINE 13.5"		
2.	800-347C	WIRING/TUBE CLIP FOR 1/4 OD		
3.	801-151C	SCR HEX SELF TAP 1/4-20X1TYPEF		
4.	801-174C	HH DRILL SCREW 1/4 X 3/4LG		
5.	802-731C	HHCS M8X1.25X30 GR10.9 ZNYCR		
6.	804-157C	WASHER SPRING LOCK M8 PLT		
7.	815-156C	DUAL MASTER CYLINDER		
8.	815-157C	MASTER CYLINDER PRESS. SWITCH		
9.	815-158C	MSTR CYL CPPR WSHR 16X10X1.5MM		
10.	815-165C	REAR BRAKE LINE 28.3		
11.	815-167C	BULK HEAD FLOW THROUGH		
12.	815-175C	ST STEEL BRAKE LINE		
13.	815-178C	FITTING 3 WAY HYD.		
14.	815-211C	REAR RUBBER BRAKE LINE		

Drive Belt Components

Applies to 4220ST, 4420ST

FOR CORRECT PULLEY ALIGNMENT
SHIM SHOULD OF TRANS-AXLE SHAFT
TO ENGINE SHAFT SHOULDER
WITH AN OFFSET DIMENSION OF
OF 1.937. USE SHIM KIT #700-112A.
ALIGNMENT TOOL P.N. 790-001A
ITEM #5 CAN BE PURCHASED
SEPARATELY.



24739

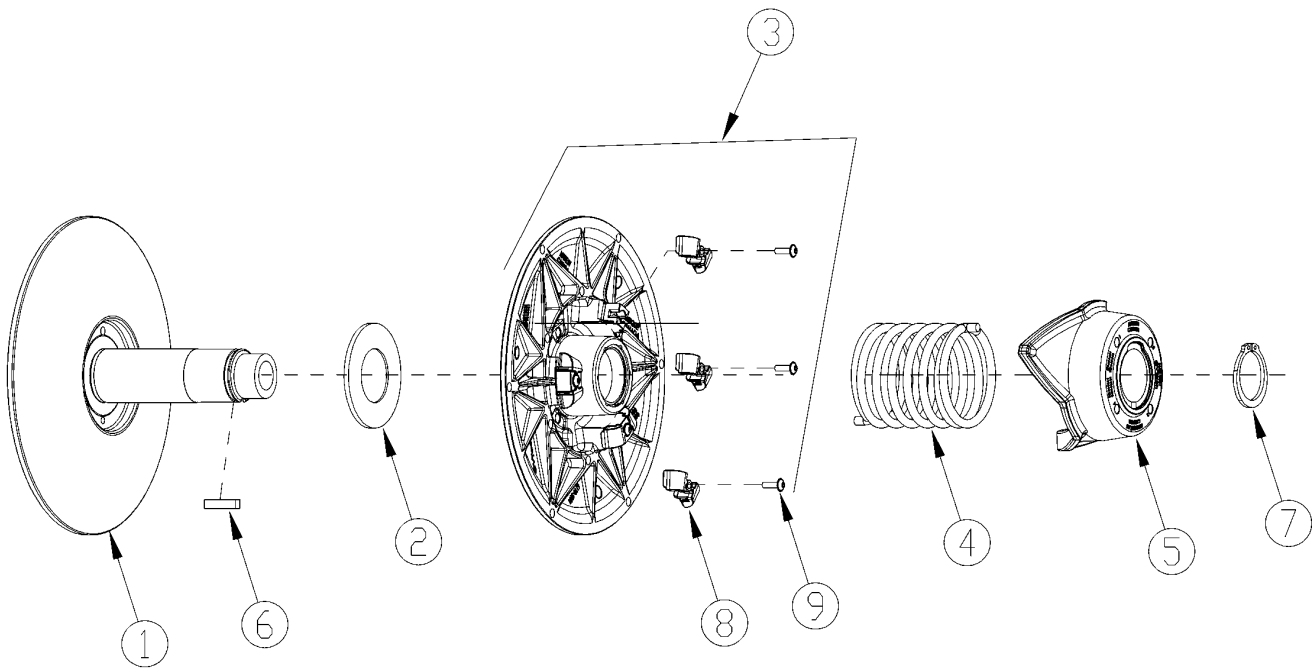
Drive Belt Components

Applies to 4220ST, 4420ST

Ref	Part No.	Part Description	Comments	Revision
	dwg24739	Drawing Image Number		
1.	700-286D	BRACKET, CVT COVER TO TRANS.		
2.	700-503S	ASSEMBLY, CVT INNER COVER		
3.	700-591D	COVER, CVT INLET DUCT		
4.	710-097D	KEY 3/16 X 3		
5.	790-006A	TREKER ENGINE/TRANS ALIGN TOOL	Optional	
6.	800-219C	RIVET POP 3/16 .126-.250		
7.	800-235C	SPRING CLAMP 1" OD HOSE		
8.	800-259C	CLAMP WRM DRV#36SS (1.81-2.75)		
9.	800-271C	RIVET POP WASHER 3/16		
10.	800-350C	KEY .187 X .247 X 2.5 LG		
11.	801-180C	TPHMS Y 1/4-20X3/4 YELLOW DIE		
12.	801-199C	SCR SELF TAP #10 X 3/4		
13.	801-215C	HSFHCS 5/16-24 X 1 1/4, BLK	Apply Loctite	
14.	802-320C	HHCS 1/2-20X2 GR5		
15.	802-738C	HHCS 5/16-18X1 GR5 YELLOW DIE		
16.	802-823C	HHCS 3/8-24X6 1/2 GR5 PLT		
17.	803-131C	INSERT, 1/4-20 ARS4-420-280		
18.	803-177C	NUT HEX FLG TOP LK 5/16-18 YLW		
19.	804-012C	WASHER FLAT 3/8 SAE PLT		
20.	804-013C	WASHER LOCK SPRING 3/8 PLT		
21.	804-015C	WASHER LOCK SPRING 1/2 PLT		
22.	804-016C	WASHER FLAT 1/2 SAE PLT		
23.	804-135C	WASHER FLAT 5/16 NEOPRENE PLT		
24.	816-469C	SEAL, MAIN TRUCK CVT HOUSING		
25.	816-470C	SEAL, CVT TO ENGINE		
26.	816-471C	SEAL, CVT TO TRANSAXLE		
27.	816-546C	BELT, CVT -LP3		
28.	817-621C	CAP, DRAIN 7/8 OD PORT		
29.	817-711C	ENCLOSURE, CVT OUTER		
30.	817-712C	OUTLET DIVERTER, CVT		
31.	826-523C	DRIVER, POWERBLOC - LP3		
32.	826-525C	DRIVEN, CVTECH POWERBLOC-LP3		
33.	840-266C	SNORKEL AIR INTAKE		
34.	840-268C	FILTER, AIR INTAKE		
35.	840-323C	HOSE, CVT AIR INTAKE		
36.	700-112A	CVT SHIM KIT		

Drive Belt Driven Pulley (826-525C)

Applies to 4220ST, 4420ST



25507

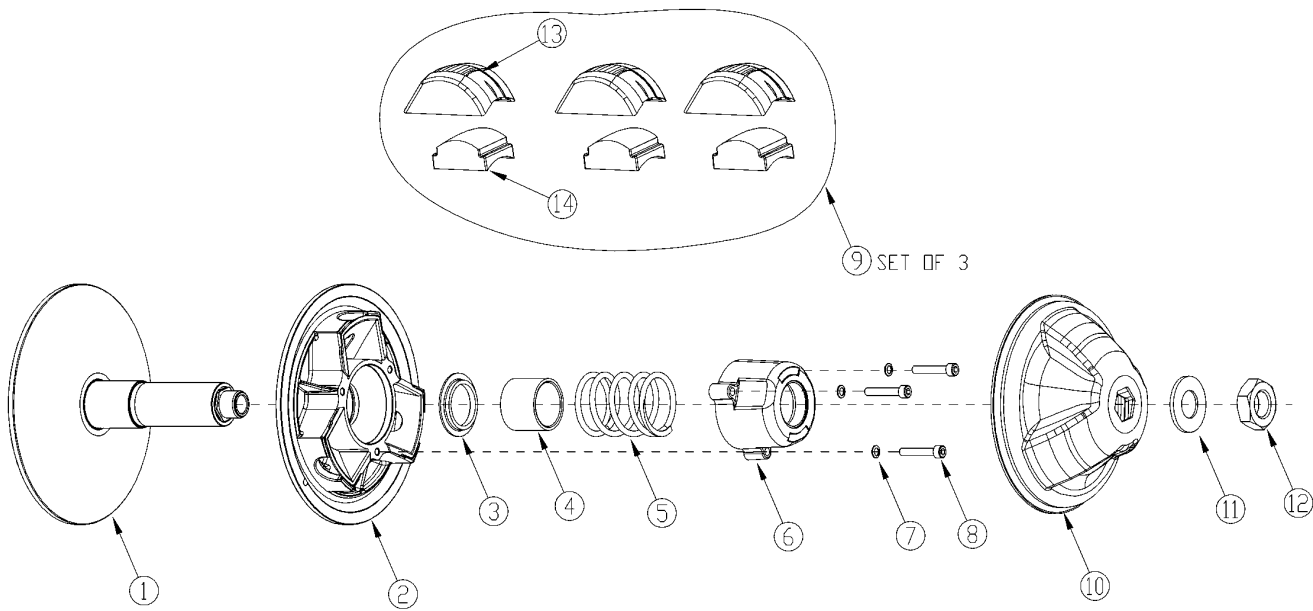
Drive Belt Driven Pulley (826-525C)

Applies to 4220ST, 4420ST

Ref	Part No.	Part Description	Comments	Revision
	dwg25507	Drawing Image Number		
1.	6105-0005	FIXED FLANGE		
2.	N/A	SHIM WASHER		
3.	6110-0001	SLIDING FLANGE		
4.	N/A	SPRING		
5.	N/A	CAM		
6.	N/A	SQUARE KEY 1/4		
7.	0080-0220	SNAP RING		
8.	6030-3001	CAM SHOE		
9.	0080-0031	HEX. SCOKET BUTTON HEAD		

Drive Belt Driver Pulley (826-523C)

Applies to 4220ST, 4420ST



25506

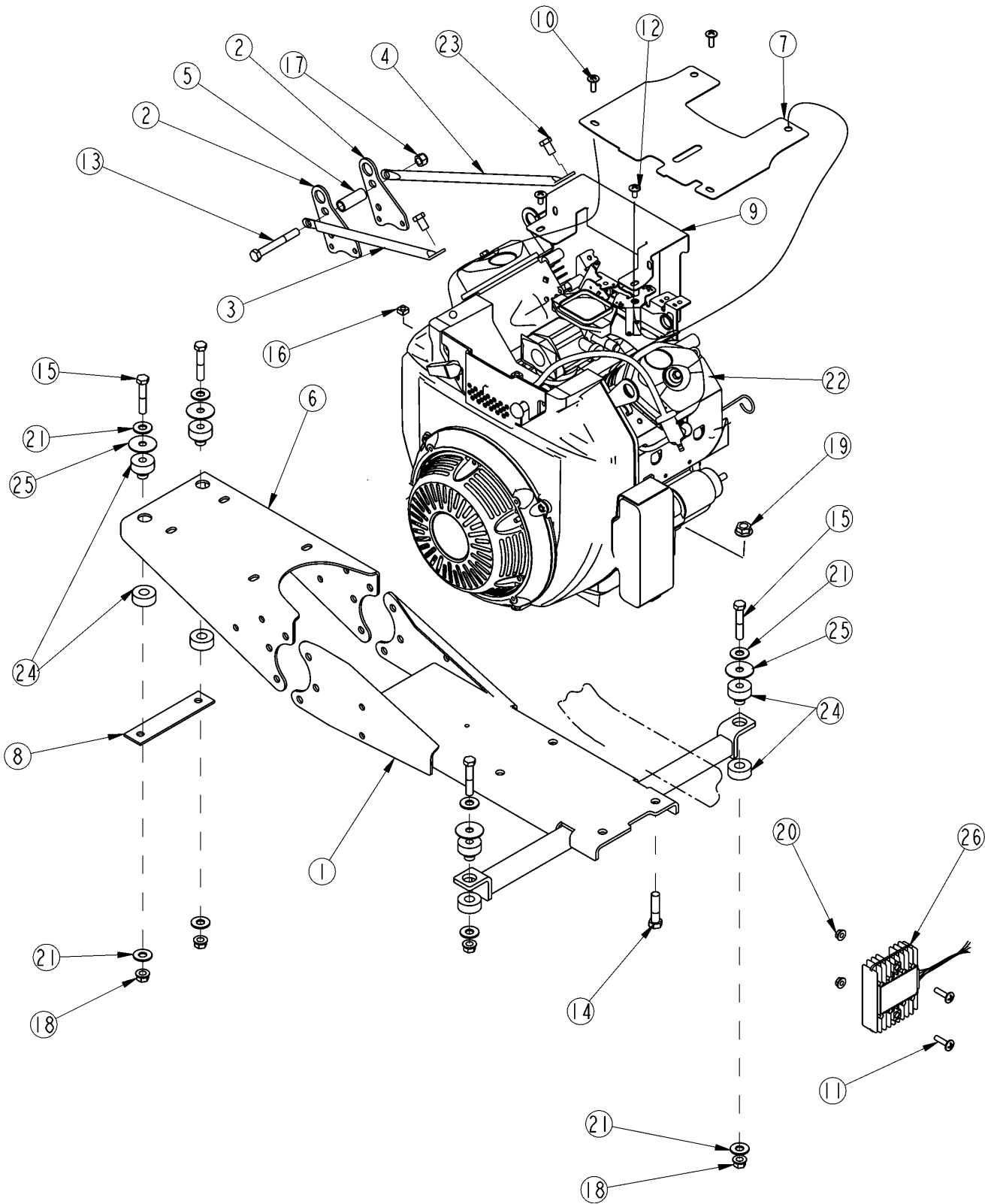
Drive Belt Driver Pulley (826-523C)

Applies to 4220ST, 4420ST

Ref	Part No.	Part Description	Comments	Revision
	dwg25506	Drawing Image Number		
1.	0405-0104	FIXED FLANGE		
2.	0410-0031	SLIDING FLANGE		
3.	N/A	SPRING SUPPORT		
4.	0440-2032	STROKE LIMITER		
5.	N/A	SPRING		
6.	0440-0005	SPRING COVER		
7.	0080-0167	LOCK WASHER		
8.	0080-0021	SOCKET HEAD CAP SCREW		
9.	0130-0165	BLOCK ASSEMBLY		
10.	0115-0050	CAP		
11.	804-026C	WASHER FLAT 7/8 SAE PLT		
12.	803-149C	NUT HEX 7/8-14 PLT		
13.	N/A	BLOCK		
14.	N/A	WEIGHT		

Engine Mounting Honda 20HP

Applies to 4220ST, 4420ST



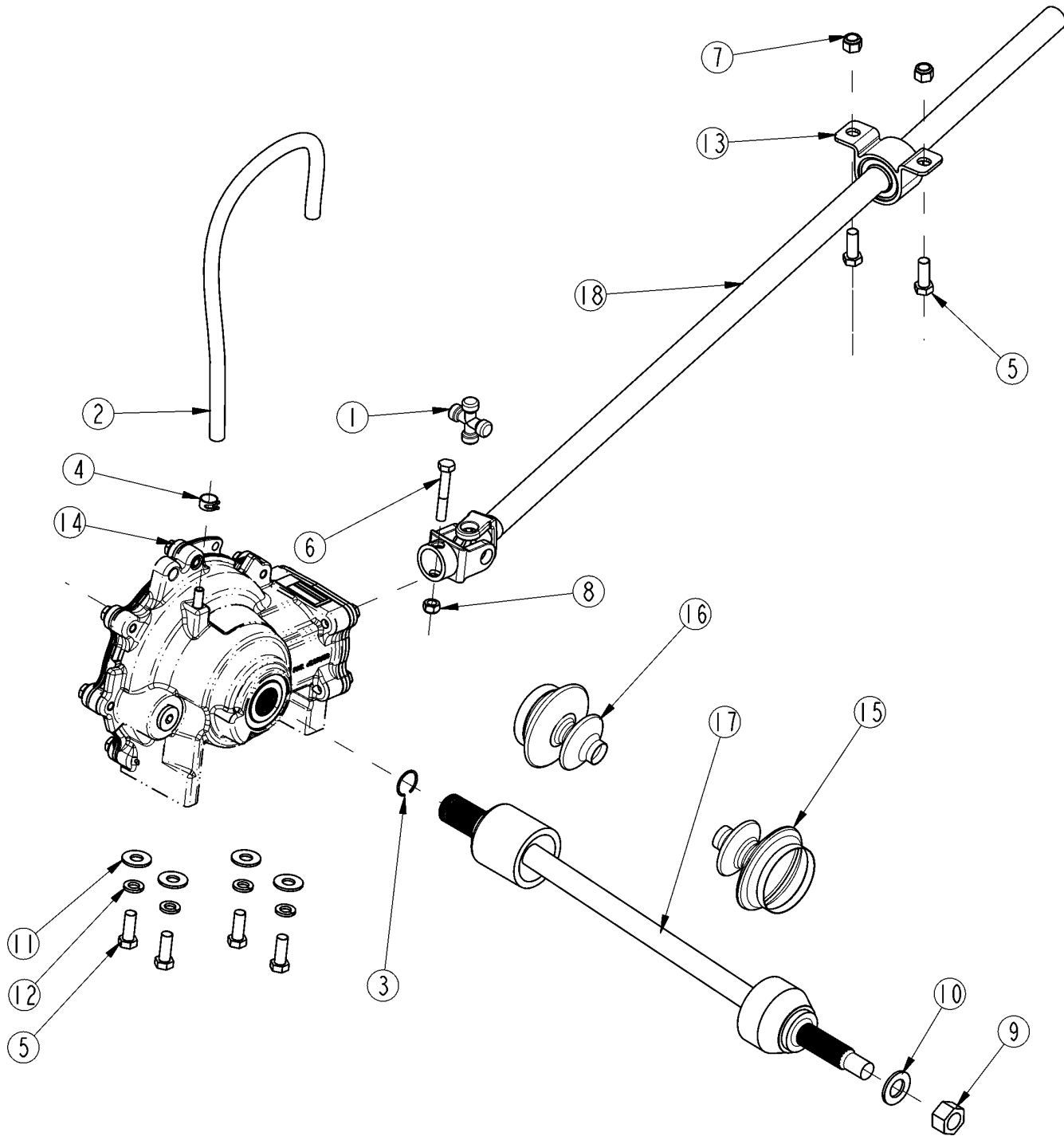
21240

Engine Mounting Honda 20HP**Applies to 4220ST, 4420ST**

Ref	Part No.	Part Description	Comments	Revision
	dwg21240	Drawing Image Number		
1.	700-059H	ENGINE MOUNT WELDMENT		
2.	700-074D	TRANS SUPPORT PLATE		
3.	700-075D	ENGINE SUPPORT TUBE, RIGHT		
4.	700-076D	ENGINE SUPPORT TUBE, LEFT		
5.	700-078D	SPACER		
6.	700-099D	TRANS MNT SUPPORT BRACKET ST		
7.	700-207S	COVER/ENGINE TOP ASSEMBLY		
8.	700-274D	SPACER PLATE, MOTOR MOUNT		
9.	700-356D	COVER THROTTLE LINKAGE		
10.	801-180C	TPHMS Y 1/4-20X3/4 YELLOW DIE		
11.	801-181C	TPHMS Y 1/4-20X1 YELLOW DIE		
12.	801-198C	TPHMS Y 1/4-20X1/2 YELLOW DIE		
13.	802-024C	HHCS 3/8-16X3 GR5		
14.	802-113C	HHCS 7/16-14X1 3/4 GR5		
15.	802-143C	HHCS 3/8-16X2 GR5		
16.	803-005C	NUT SQ 1/4-20 PLT		
17.	803-078C	NUT LOCK 3/8-16 NYLON INSERT		
18.	803-209C	NUT FLANGE LOCK 3/8-16 PLT		
19.	803-229C	NUT HEX FLANGE LOC 7/16-14 PLT		
20.	803-293C	NUT HEX FLNG T-LOCK 1/4-20 YLW		
21.	804-011C	WASHER FLAT 3/8 USS PLT		
22.	826-413C	HONDA ENGINE 20HP TRUCK		
23.	839-122C	HFCS M8-1.25X20 10.9 HX FL ZN		
24.	840-080C	MOUNT MOTOR H SYTLE		
25.	840-108C	WASHER FENDER 1.5OD X.4IDX.06T		
26.	840-142C	VOLTAGE REGULATOR FOR 826-41		
		Honda Engine Information		
		NKG Spark Plug (Purchase Locally)	BPR2ES NGK2015	
		Honda Snap Ring (Throttle Cable)	90605-230-000	
		Honda Jet Kit (Elevation 0-4,999 ft. (Factory Installed)	99201-ZG8-1050	
		Honda Jet Kit (Elevation 5,000-7,999 ft.	99201-ZG8-1020	
		Honda Jet Kit (Elevation 8,000 ft and up)	99201-ZG8-1000	
		Honda Oil Filter	831-038C	
		*		
	700-245K	TREKER TUNE-UP KIT (5" FILTER)		

Front Differential Axleshaft and Driveshaft

Applies to 4420ST



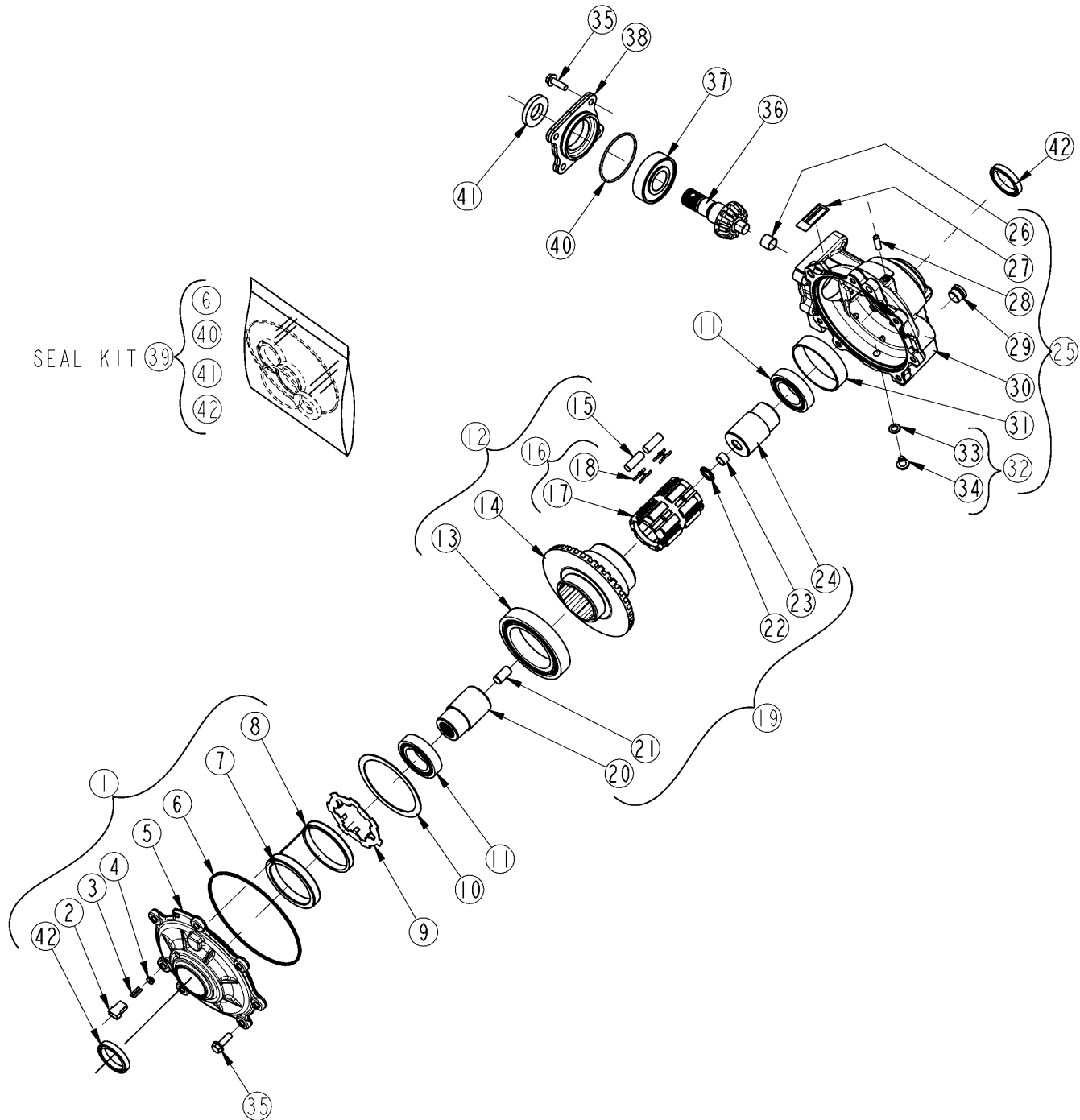
21229

Front Differential Axleshaft and Driveshaft**Applies to 4420ST**

Ref	Part No.	Part Description	Comments	Revision
		Image No. 21229		
1.	1-0170NPL	CROSS & BRG KIT FOR 826-438C		
2.	700-466D	VENT HOSE 17.5LG 4X4 GBOX		
3.	800-353C	SPRING CIR CLIP .95ODX.063WIRE		
4.	800-356C	CLAMP PINCH FOR .50 OD HOSE		
5.	802-017C	HHCS 3/8-16X1 GR5		
6.	802-115C	HHCS 5/16-18X2 GR5		
7.	803-078C	NUT LOCK 3/8-16 NYLON INSERT		
8.	803-084C	NUT HEX NYLOCK 5/16-18 PLT		
9.	803-332C	NUT HEX M16X1.5 TOP LOCK PLT		
10.	804-005C	FLAT WASHER M16 NARROW PLT		
11.	804-011C	WASHER FLAT 3/8 USS PLT		
12.	804-013C	WASHER LOCK SPRING 3/8 PLT		
13.	822-203C	PILLOW BLOCK BEARING TRUCK		
14.	826-398C	FRONT DIFFERENTIAL W/ELE CLTCH		
15.	5048	OUTER BOOT KIT W/ 2 CLAMPS		
16.	5051	INNER BOOT KIT W/2 CLAMPS		
17.	826-405C	FRONT AXLE SHAFT STANDARD		
18.	826-438C	DRIVELINE 4X4 NT/ST		

Front Differential Components

Applies to 4420ST



21232

Front Differential Components

Applies to 4420ST

Ref	Part No.	Part Description	Comments	Revision
	dwg21232	Drawing Image Number		
	826-398C	FRONT DIFFERENTIAL W/ELE CLTCH		
1.	6203-12-100	OUTPUT COVER PLATE ASSEMBLY	#1 Kit includes #2 to #8 & 42	
2.		MATE-N-LOK- HOUSING	Sold with #1 kit	
3.		MATE-N-LOK PIN	Sold with #1 kit	
4.		GROMMET, OUTPUT COVER	Sold with #1 kit	
5.		COVER PLATE, OUTPUT-MACHINED	Sold with #1 kit	
6.		O-RING, OUTPUT-164S (SQ. RING)	Sold with #1 kit & #39 kit	
7.		COIL POCKET INSERT	Sold with #1 kit	
8.		COIL W/PRESS FIT BOBBIN	Sold with #1 kit	
9.	6203-59-032-B	ARMATURE PLATE		
10.	6203-26-020-A	SHIM .05 THICK BRASS, HALF HARD		
11.	1215-02-038-T	6008-C3 DEEP GROOVE ROLLER BEARING 4£		
12.	6203-01-166	CLUTCH ASSEMBLY	#12 Kit includes #13 to #16	
13.	1215-02-141-T	6015-C3 DEEP GROOVE ROLLER BALL BEARING	Sold separately & with #12 kit	
14.	6203-13-124-D	CLTH.HSG./RNG GR., 42T 6.75DP	Sold separately & with #12 kit	
15.	6203-29-010-0	ROLL KIT	Sold separately & with #12 kit	
16.	6203-20-072	ROLL CAGE ASSEMBLY	#16 Kit includes #17 & #18	
17.		ROLL CAGE, PLASTIC-MACHINED	Sold separately & with #16 kit	
18.	6203-35-024-0	SPRING KIT, H-CLIP .008 THK	Sold separately & with #16 kit	
19.	6203-27-017-B	RACE/OUTPUT HUB ASSEMBLY	#19 Kit includes #20 to #21	
20.		RACE/OUTPUT HUB, FEMALE	Sold with #19 kit	
21.		PAP0806 PERMIGLIDE BUSHING	Sold with #19 kit	
22.	1242-00-009-T	TC815 NEEDLE ROLLER THRUST BEARING	Sold separately & with #19 kit	
23.	0430-01-002-T	1/2 DIA X 1 LG. DOWEL PIN	Sold separately & with #19 kit	
24.		RACE/OUTPUT HUB, MALE	Sold with #19 kit	
25.	6203-13-165	GEARCASE ASSEMBLY	#25 Kit includes #26 to #32	
26.		MB1615 DU BUSHING	Sold with #25 kit	
27.		LABEL, BAR CODE	Sold with #25 kit	
28.		TUBE, VENT 1/2 HOSE	Sold with #25 kit	
29.	0518-03-009-T	PLUG OIL FILL 3/4-16 HOLLOW HEAD	Sold separately & with #25 kit	Torque item #29 (PLUG OIL FILL 3/4-16 HOLLOW HD) 10 ft*lbs.
30.		GEARCASE, LH-MACHINED	Sold with #25 kit	
31.		BUSHNG, SELF LUBRICATING 80X85X20	Sold with #25 kit	
32.	6203-95-001-0	DRAIN PLUG ASSEMBLY	#32 Kit includes #33 & #34	
33.		WASHER, .625X.06, NYLON 6/6	Sold with #32 kit	
34.		PLUG, OIL DRAIN, 3/8-16HH FLANGE	W/MAG. TIP Sold with #32 kit; Torque item #34 (PLG,OIL DRAIN,3/8-16HH FLNGE W/M) 9 ft*lbs.	
35.	6203-93-001-0	BOLT KIT		Torque item #35 (5/16" x 1" Hex Head Bolts) 17 ft*lbs.
36.	6203-47-024-B	SHAFT PNION 11T3.75DP, MACHINED		
37.	1215-02-154-T	6306-03-C3 DP GROOVE	ROLLER BALL BEARING	
38.	6203-12-064-B	COVER PLATE, INPUT-MACHINED		
39.	6203-56-001-0	MINOR REPAIR KIT	#39 Kit includes #6 & #40 to #42	
40.		O-RING, INPUT, 148S	Sold with #39 kit	
41.		25X47X8 TRIPLE LIP OIL SEAL	Sold with #1 kit & #39 kit	
42.		40X52X7TC OIL SEAL, OUTPUT	Sold with #39 kit	
		*		
		*		
		IMPORTANT NOTES:		
		1. Torque 3/4" oil drain plug (Item #29) to 10 ft. lbs.		
		2. Torque 3/8" oil drain plut (Item #34) to 9 ft. lbs.		

Front Differential Components (continued)

Applies to 4420ST

Ref	Part No.	Part Description	Comments	Revision
		3. Torque 5/16" x 1" bolts (Item #35) to 17 ft. lbs.		
		4. Use command track gen2 gear lube part # 821-061C or Mobil 424		
		5. Gear lube capacity = 5 oz.		

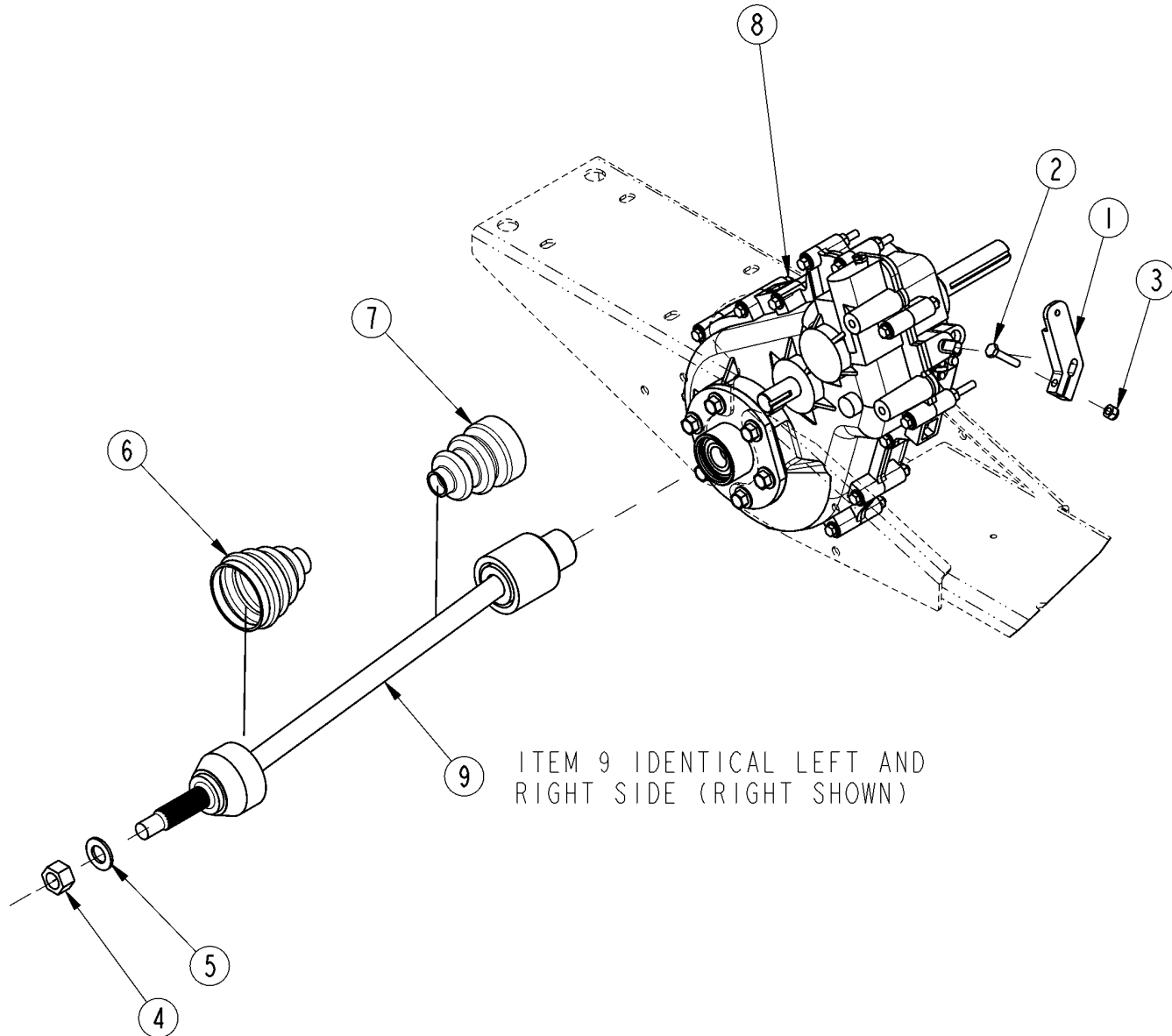
Front Differential Components (continued)

Applies to 4420ST

This Page Intentionally Left Blank

Transaxle Rear and Axle Shafts

Applies to 4220ST, 4420ST



23834

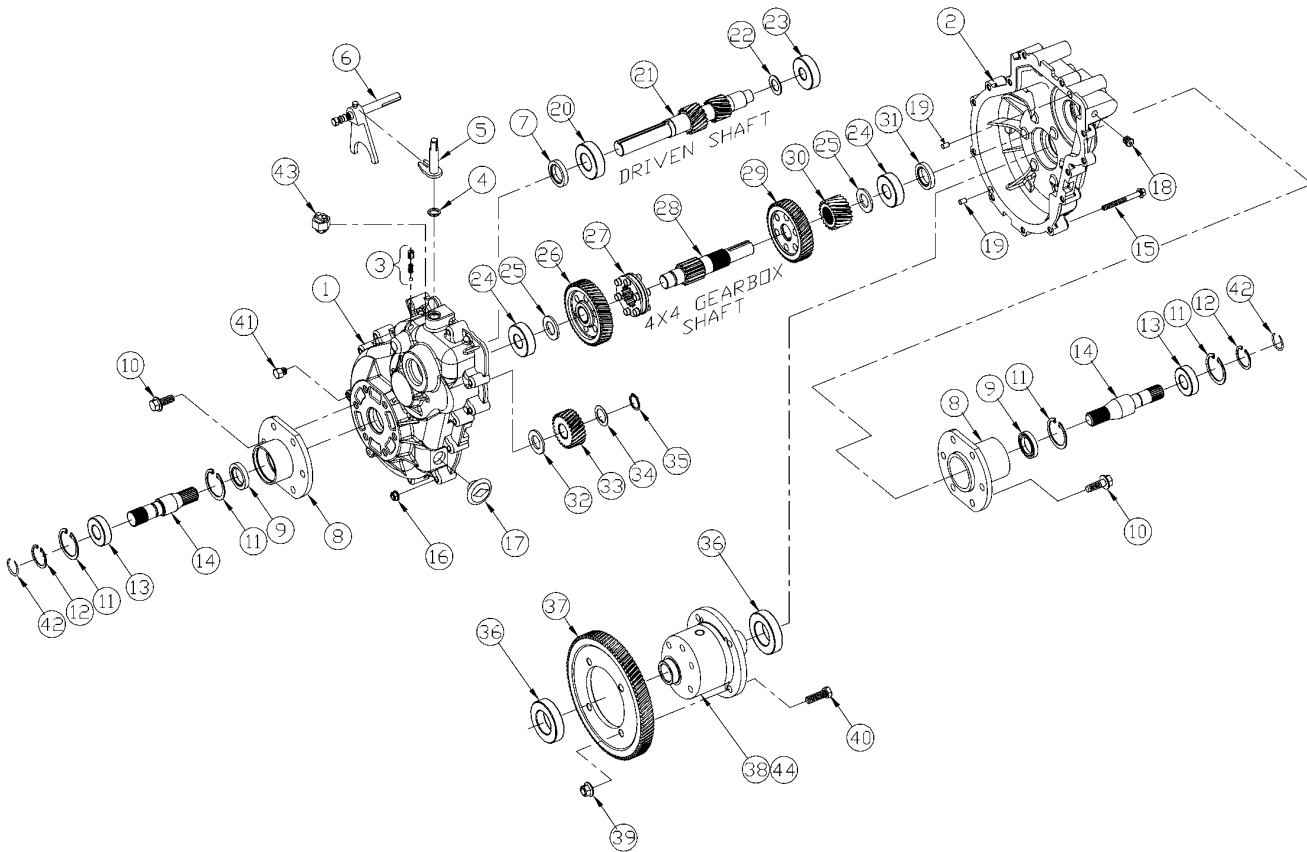
Transaxle Rear and Axle Shafts

Applies to 4220ST, 4420ST

Ref	Part No.	Part Description	Comments	Revision
	dwg23834	Drawing Image Number		
1.	700-378D	SHIFT LEVER		
2.	802-769C	HHCS 1/4-20X1 1/4 GR8		
3.	803-255C	NUT HEX NYLOCK 1/4-20		
4.	803-332C	NUT HEX M16X1.5 TOP LOCK PLT		
5.	804-005C	FLAT WASHER M16 NARROW PLT		
6.	5048	OUTER BOOT KIT W/ 2 CLAMPS		
7.	5051	INNER BOOT KIT W/2 CLAMPS		
8.	826-454C	TRANSAXLE W/ AUTO-LOCK DIFF.		
9.	826-456C	REAR AXLE SHFT ST, 24T INT.SPL		

Transaxle Rear Components

Applies to 4220ST, 4420ST



23843

Transaxle Rear Components

Applies to 4220ST, 4420ST

Ref	Part No.	Part Description	Comments	Revision
	dwg23843	Drawing Image Number		
	826-454C	TRANSAXLE W/ AUTO-LOCK DIFF.		
1.	012CH291-2X	DANA HOUSING AND SHAFT ASSBLY		
2.	012CH289	DANA HOUSING-AXLE FIN		
3.	012LK133	DANA KIT, DETENT		
4.	012HH122	DANA SEAL - OIL		
5.	012GV164-X	DANA ACTUATOR ASSY		
6.	012SV118-X	DANA SHIFT ROD SUB-ASSY		
7.	012HH128	DANA SEAL - OIL		
8.	012TA378	REAR TUBE ASSY		
9.	012HH107	SEAL - OIL		
10.	026HM107	DANA SCREW - FLG HEAD		
11.	840293	DANA RING, RETAINING		
12.	012HR133	RING - RETAINER		
13.	012HD106	BEARING - BALL SINGLE		
14.	012SR172	SHAFT - AXLE, FIN		
15.	012HM110-1	DANA SCREW - FLG HEAD		
16.	012HN120	DANA NUT - LOCK		
17.	41356	DANA PLUG - RUBBER		
18.	012HN140	DANA VENT PLUG		
19.	012HP120	DANA PIN - DOWEL		
20.	585965	DANA BEARING 6205		
21.	012GS307	DANA SHAFT - INPUT FIN		
22.	012LK134	DANA KIT, SHIM		
23.	012HD111	DANA BEARING -6303 BALL SINGLE		
24.	012HD129	DANA BEARING -6204 BALL SINGLE		
25.	012HS121	DANA SPACER - FLAT		
26.	012GS202-X	DANA GEAR ASSY - FORWARD		
27.	012GS302	DANA GEAR - CLUTCH		
28.	012GS337	DANA SHAFT - INTERMEDIATE FIN		
29.	012GS204-X	DANA GEAR ASSY - REVERSE		
30.	012GS215	DANA GEAR - HELICAL FIN		
31.	012HH140	DANA SEAL - OIL		
32.	012HS125	DANA WASHER - THRUST		
33.	012GS207-X	DANA GEAR ASSY - IDLER		
34.	012HS126	DANA WASHER - THRUST		
35.	012HR128	DANA RING - SNAP		
36.	585994	DANA BEARING 6007		
37.	012GS216	DANA GEAR - HELICAL FIN		
38.	826-458C	DIFFERENTIAL, AUTO-LOCK		
39.	012HN138	DANA NUT - LOCK		
40.	012HM129	DANA BOLT - HEX		
41.	012HG145	DANA DRAIN PLUG		
42.	012HR132	RETAINER - SHAFT, AXLE		
43.	5803	SWITCH, NEUTRAL, DANA GBOX		
44.	700-518A	AUTO-LOK KIT	Kit includes 1 ea. #38, 4 ea. #39 & 4 ea. #40	

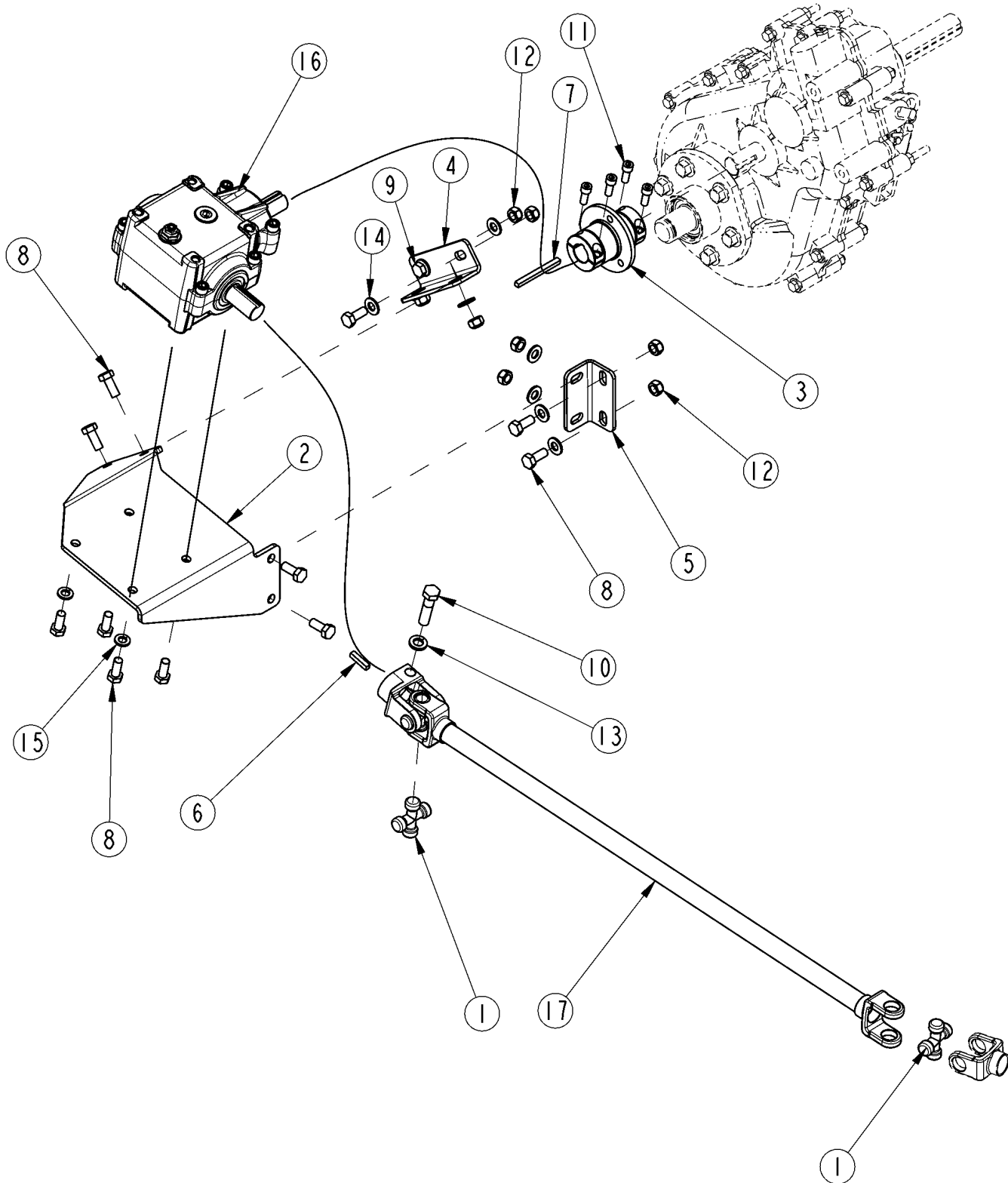
*

NOTES:

1. USE Mobil 424
2. GEAR LUBE CAPACITY = 20 TO 24 FL. OZ.
3. USE LOCTITE 518 AS A GASKET BETWEEN HOUSINGS #1 & #2 AND BETWEEN REAR TUBE ASSY #8 AND HOUSINGS #1 & #2.

Transfer Case and Rear Driveshaft

Applies to 4420ST



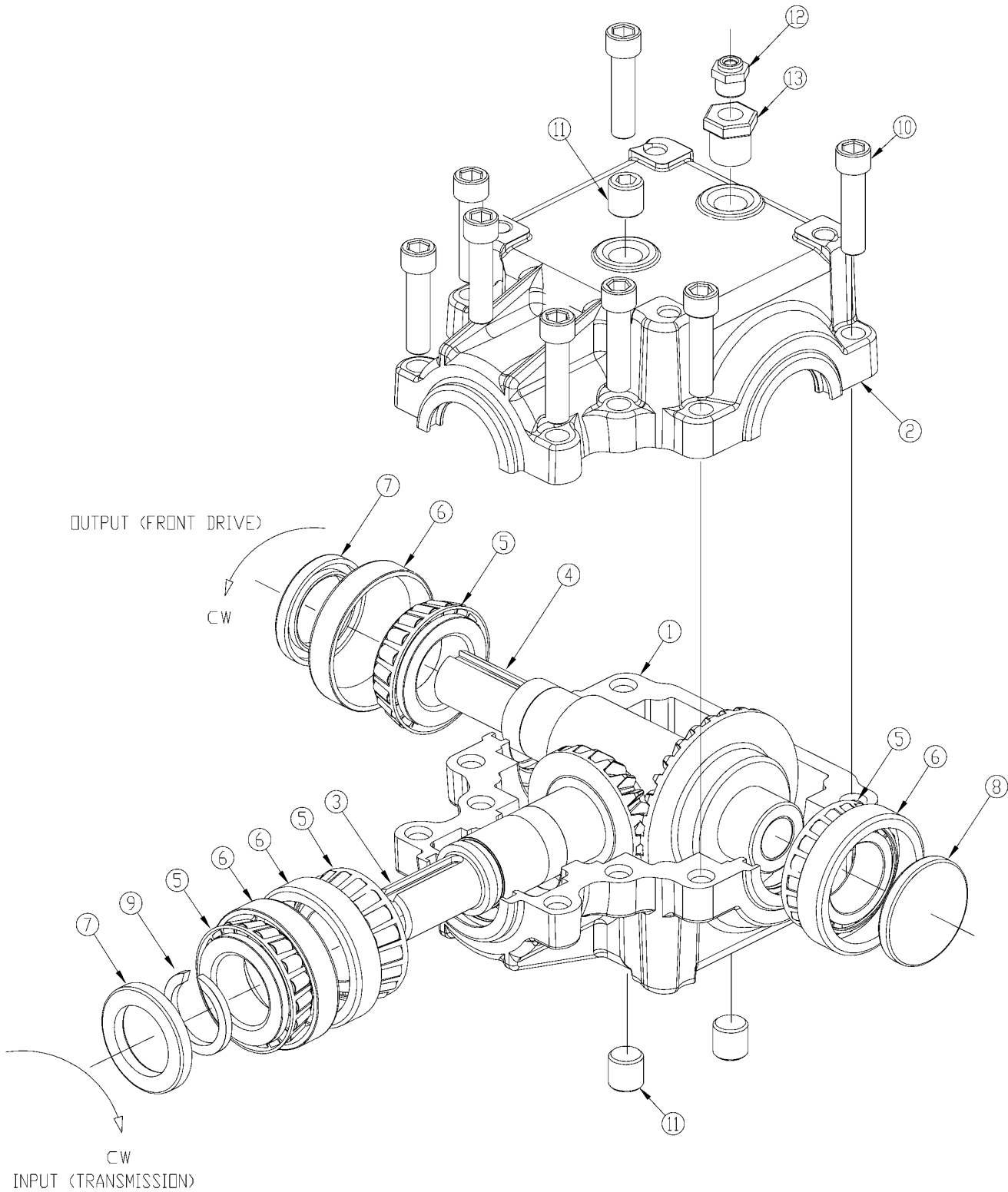
23833

Transfer Case and Rear Driveshaft**Applies to 4420ST**

Ref	Part No.	Part Description	Comments	Revision
	dwg23833	Drawing Image Number		
1.	1-0170NPL	CROSS & BRG KIT FOR 826-438C		
2.	700-408D	GEAR BOX MNT PLATE		
3.	700-446D	CLAMP COUPLING		
4.	700-447D	MOUNT BRACKET GEARBOX REAR		
5.	700-448D	MOUNT BRACKET GEARBOX FRONT		
6.	800-296C	KEY 3/16 X 7/8		
7.	800-366C	KEY .187 X .187 X 2.25 LG		
8.	802-735C	HHCS 5/16-18X3/4 GR5 YELLOW DI		
9.	802-738C	HHCS 5/16-18X1 GR5 YELLOW DIE		
10.	802-758C	HHCS 3/8-24X1 1/2 GR8 PLT		
11.	802-774C	HSHCS 1/4-28X5/8		
12.	803-084C	NUT HEX NYLOCK 5/16-18 PLT		
13.	804-013C	WASHER LOCK SPRING 3/8 PLT		
14.	804-084C	WASHER FLAT 5/16 HARD ASTM F436		
15.	804-201C	WASHER LOCK SPRING 5/16 YELLOW		
16.	826-417C	GBOX MODEL R100 1.5TO1 RATIO		
17.	826-419C	REAR HALF DRIVELINE 4X4 ST		

Transfer Case Components

Applies to 4420ST



21237

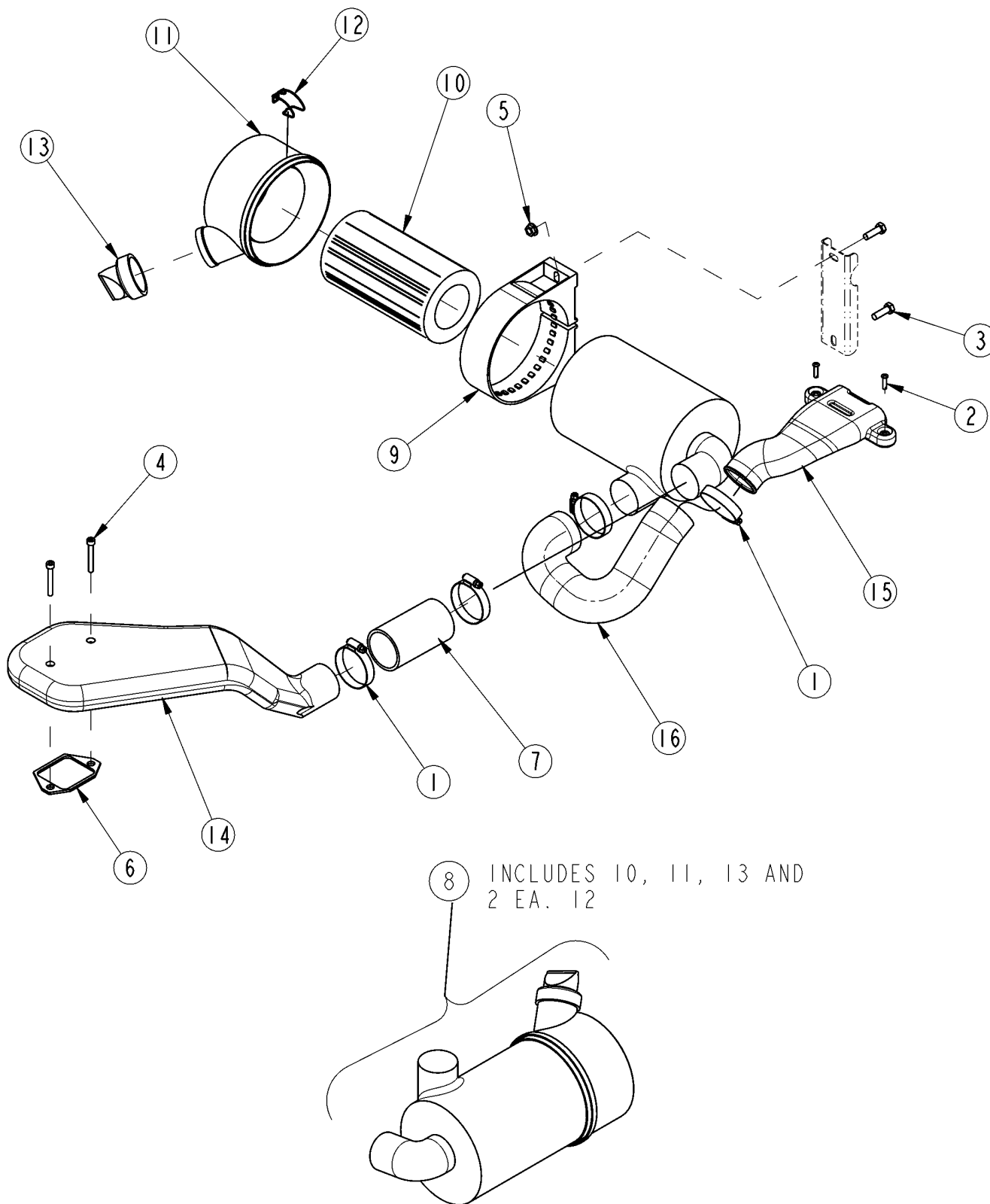
Transfer Case Components

Applies to 4420ST

Ref	Part No.	Part Description	Comments	Revision
	dwg21237	Drawing Image Number		
	826-417C	GBOX MODEL R100 1.5TO1 RATIO		
1.	R100-003M-A0427	HOUSING, R100 MACHINED TAP STD		
2.	R100-004M-A0428	HOUSING, R100 MACHINED THRU STD		
3.	R100-8B00-A0471	STUB SHAFT/GEAR ASSEMBLY		
4.	R100-8B00-A0473	SUPERIOR CROSS SHAFT/GEAR ASSEMBLY		
5.	244643	BEARING, CONE 1.00VN-L44643		
6.	244610	BEARING, CUP 1.98VN-L44610		
7.	109843	SEAL, 1-1.5-.187(R)TC		
8.	100301	CAP, CP-1.5 -.187D#7647		
9.	203293	RTN RING EXT1.000 SHAFT		
10.	103125	BOLT 5/16-18 X 1.25 SHCS		
11.	200300	PLUG 1/4-18NPT SCHD		
12.	2003PR	PLUG VENT 5PSIV/N005677		
13.	2003VB	BUSHING 1/4NPT X 1/8 NPT		
		*		
		*		
		IMPORTANT NOTES:		
		1. Use S.A.E 80/90 wt. GL-5 lube.		
		2. Oil capacity = 6 oz.		

Air Cleaner

Applies to 4220ST, 4420ST



23822

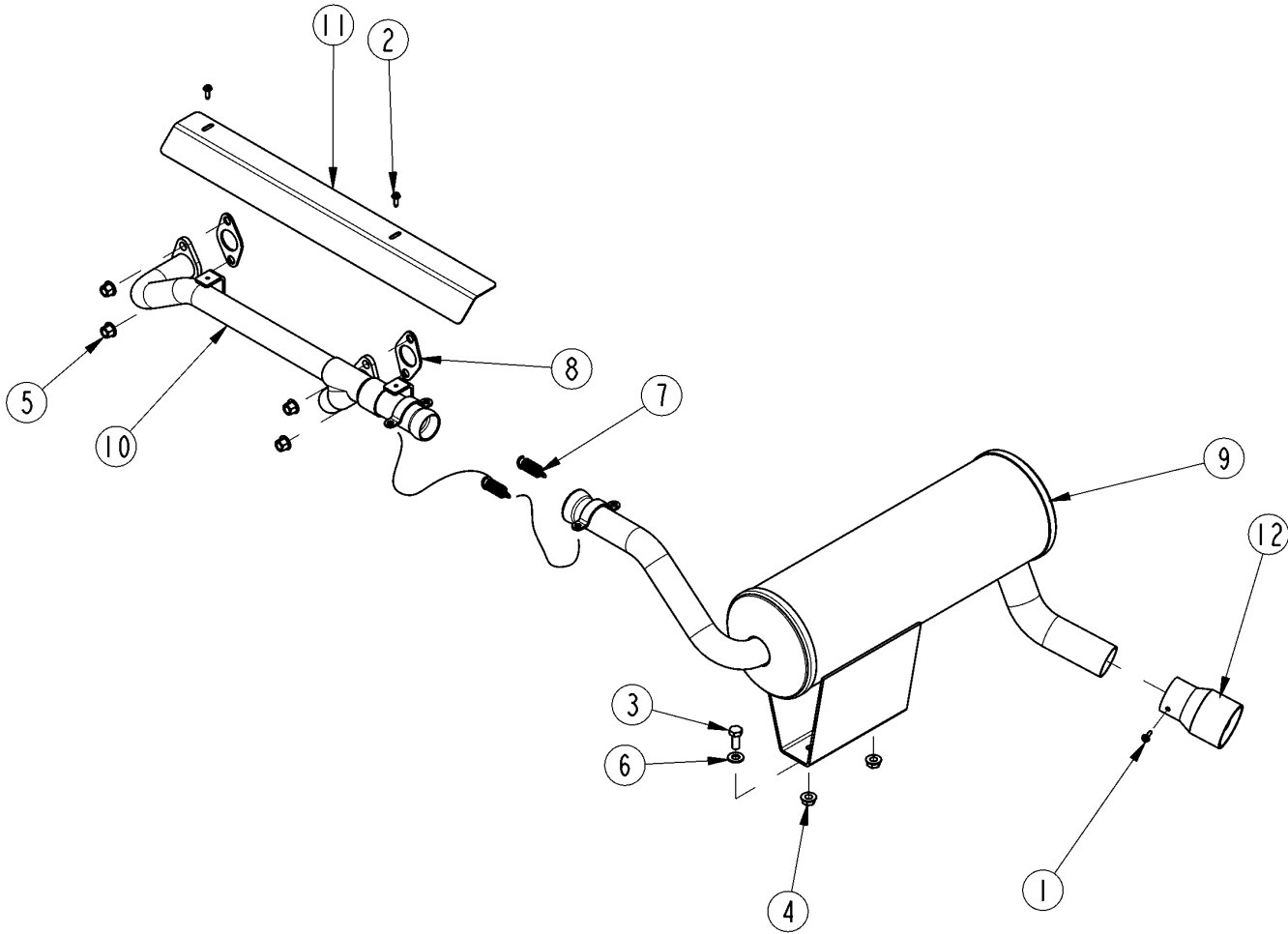
Air Cleaner

Applies to 4220ST, 4420ST

Ref	Part No.	Part Description	Comments	Revision
	dwg23822	Drawing Image Number		
1.	800-259C	CLAMP WRM DRV#36SS (1.81-2.75)		
2.	801-199C	SCR SELF TAP #10 X 3/4		
3.	802-738C	HHCS 5/16-18X1 GR5 YELLOW DIE		
4.	802-752C	HSHCS M6X1X45 GR8.8		
5.	803-177C	NUT HEX FLG TOP LK 5/16-18 YLW		
6.	816-421C	GASKET-ENGINE AIR INTAKE TRUCK		
7.	816-522C	HOSE 2" ID X 4" LONG		
8.	839-309C	DNLDSN AC ASSY W/FLTR G057514		
9.	839-311C	DNLDSN AIR CLNR CLAMP PPGF30		
10.	839-323C	DONALDSON AIR FILTER P821575		
11.	839-375C	DNLDSN COVER W/LATCHES P533761		
12.	839-376C	DNLDSN LATCH P538928		
13.	839-377C	DNLDSN VACUATOR (BURP) P522958		
14.	840-072C	AIR INTAKE PLASTIC ST TRUCK		
15.	840-266C	SNORKEL AIR INTAKE		
16.	840-298C	HOSE AIR INTAKE		

Exhaust Components

Applies to 4220ST, 4420ST



22118

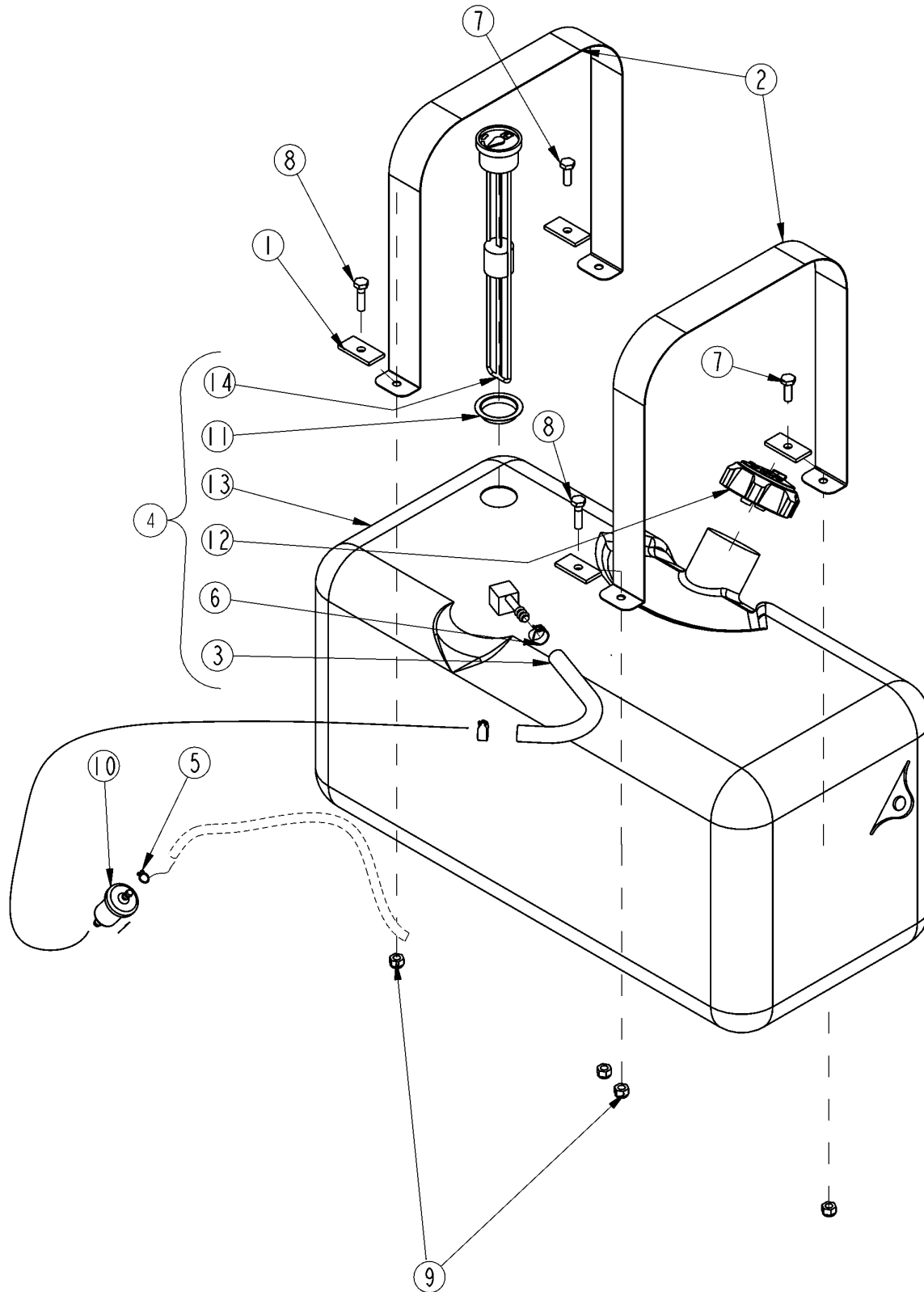
Exhaust Components

Applies to 4220ST, 4420ST

Ref	Part No.	Part Description	Comments	Revision
	dwg22118	Drawing Image Number		
1.	801-183C	SCREW HEX SLT 8-18X1/2 PLT		
2.	801-193C	SCREW HEX #8 X 1/2 SELF TAP		
3.	802-735C	HHCS 5/16-18X3/4 GR5 YELLOW DI		
4.	803-177C	NUT HEX LOCK 5/16-18 FLG.		
5.	803-220C	NUT HEX FLANGE M8X1.25 PLT		
6.	804-084C	WASHER FLAT 5/16 HARD ASTM F436		
7.	807-219C	SPRING EXT. .5ODX1.68LGX.08W		
8.	839-383C	GASKET MUFFLER HONDA 20HP		
9.	839-401C	HONDA 20 HP ENGINE MUFFLER	Includes #12	
10.	839-402C	HONDA 20 HP ENGINE MANIFOLD		
11.	839-403C	EXHAUST HEAT SHEILD 20 HP		
12.	840-315C	SPARK ARRESTER WITH SCREW		

Fuel System Components

Applies to 4220ST, 4420ST



21245

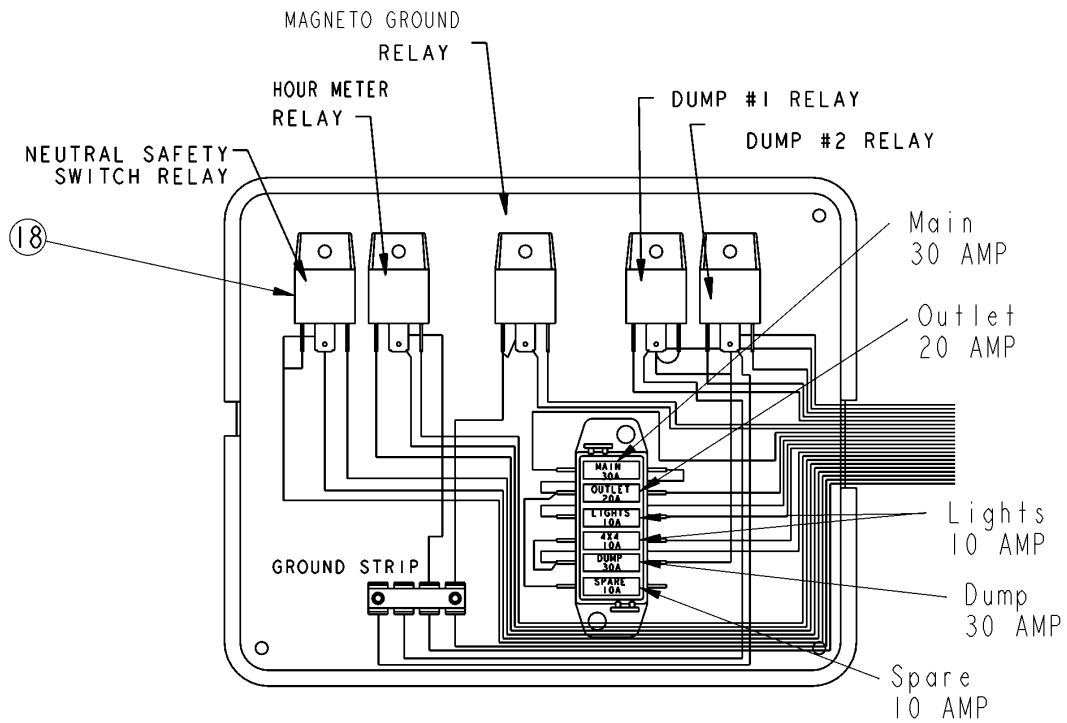
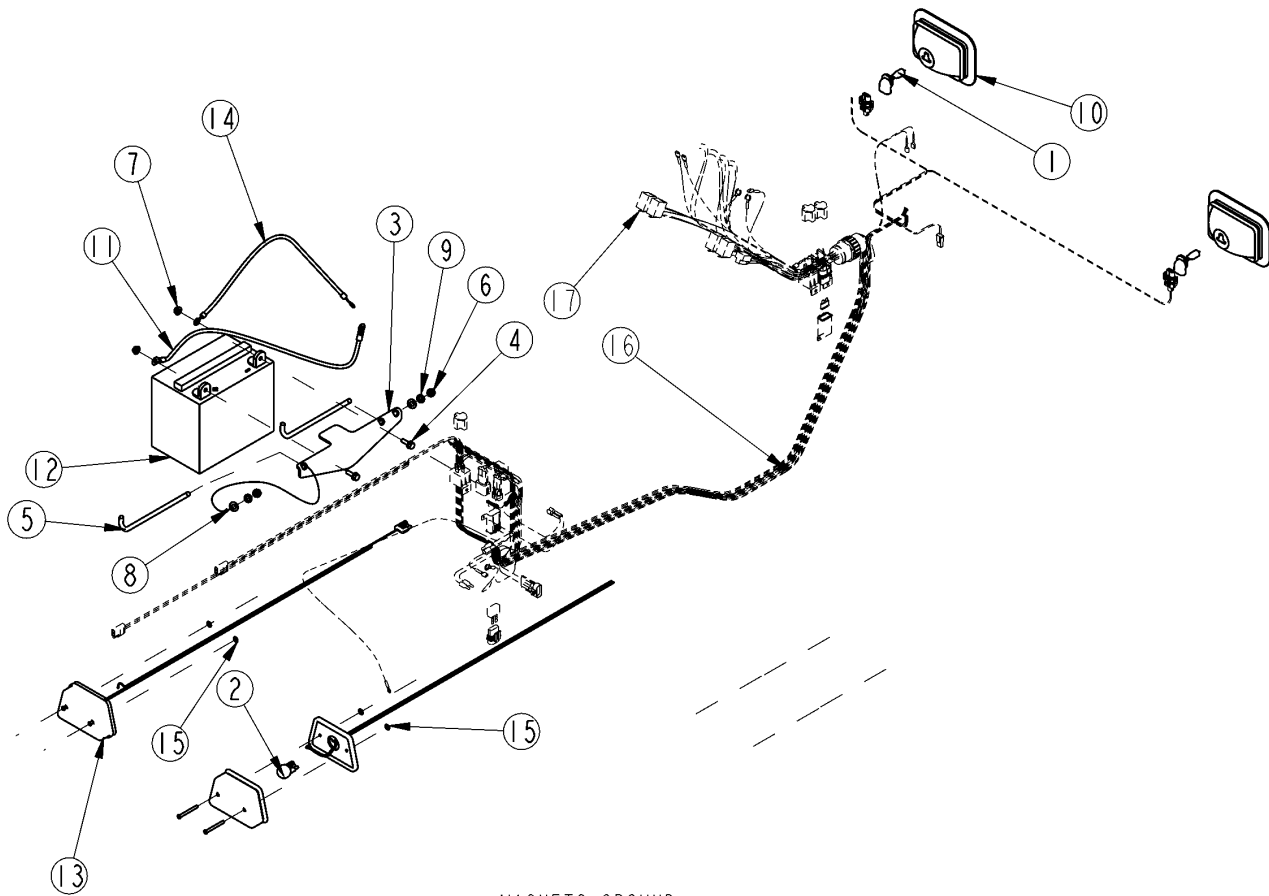
Fuel System Components

Applies to 4220ST, 4420ST

Ref	Part No.	Part Description	Comments	Revision
	dwg21245	Drawing Image Number		
1.	700-017D	GAS TANK MOUNT SPACER		
2.	700-175D	GAS TANK STRAP, WIDE		
3.	700-213D	FUEL LINE 9" ST MODEL		
4.	700-368S	ST FUEL TANK ASSY		
5.	800-007C	PINCH CLAMP HONDA .32OD HOSE		
6.	800-356C	CLAMP PINCH FOR .50 OD HOSE		
7.	802-004C	HHCS 1/4-20X3/4 GR5		
8.	802-005C	HHCS 1/4-20X1 GR5		
9.	803-255C	NUT HEX NYLOCK 1/4-20		
10.	831-035C	HONDA FUEL FILTER		
11.	839-297C	GROMMET FOR FUEL GAUGE		
12.	839-298C	FUEL CAP TALL		
13.	839-301C	FUEL TANK 8 GALLON ST		
14.	839-302C	FUEL GAUGE		

Electrical Wiring

Applies to 4220ST, 4420ST



23842

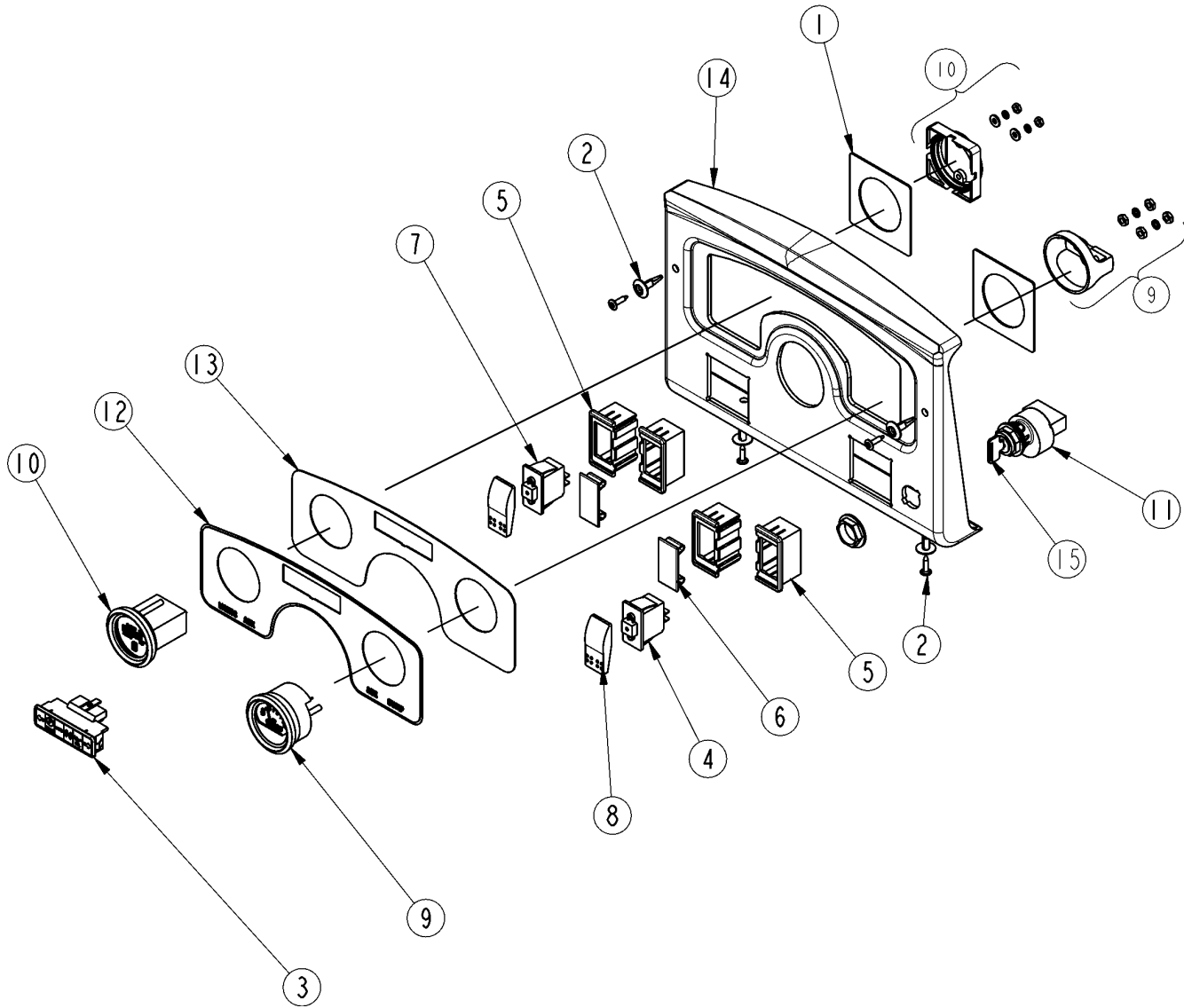
Electrical Wiring

Applies to 4220ST, 4420ST

Ref	Part No.	Part Description	Comments	Revision
	dwg23842	Drawing Image Number		
1.	N/A	HEADLIGHT BULB 37.5 WATT	894	
2.	N/A	TAILLIGHT BULB 1157	1157	
3.	700-456D	HOLDOWN, BATTERY ST		
4.	802-257C	HFSS 1/4-20X3/4 GR5		
5.	802-793C	SP HOOK 5/16-18X9X3 THREAD		
6.	803-008C	NUT HEX 5/16-18 PLT		
7.	803-293C	NUT HEX FLNG T-LOCK 1/4-20 YLW		
8.	804-036C	WASHER FLAT 5/16 SAE PLT		
9.	804-201C	WASHER LOCK SPRING 5/16 YELLOW		
10.	833-255C	HEADLIGHT W/TRAP LENS 37.5WATT		
11.	833-256C	BATTERY CABLE POSITIVE 15 INCH		
12.	N/A	BATTERY BUY LOCALLY	BCI Group U1/U1R, Min. 300CA	
13.	833-337C	TAIL LIGHT WITH STANDARD LEAD		
14.	833-303C	20" 6GA NEGATIVE BLACK CABLE		
15.	840-105C	PUSH RETAINERS 4 NON-THRD SHFT		
16.	833-372C	WIRING HARNESS, MAIN ST		
17.	833-373C	WIRE HARNESS INSTRUMENT PANEL		
18.	0-332-209-150	RELAY BOSCH		

Instrument Panel, 4 x 2

Applies to 4220ST



23836

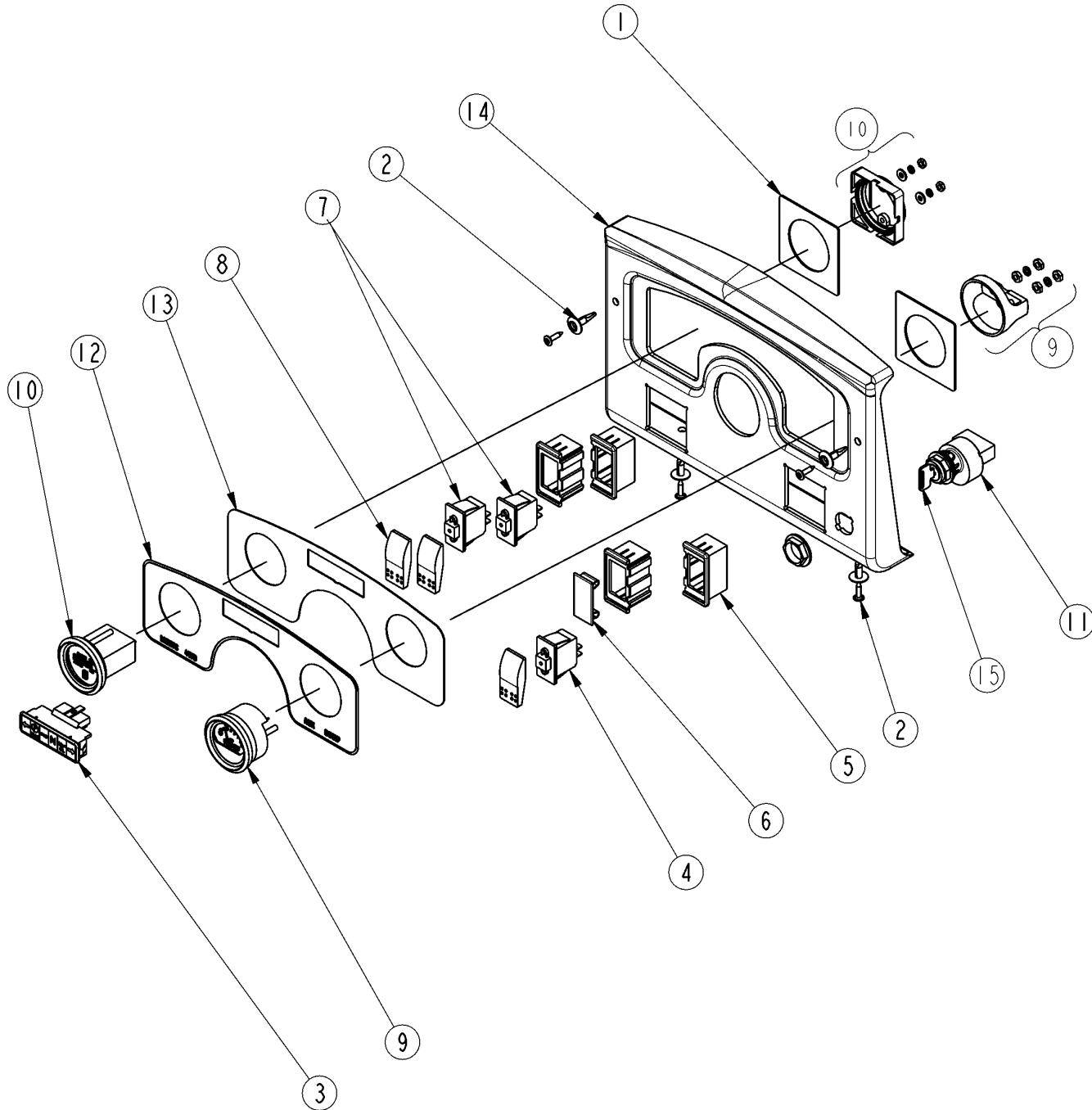
Instrument Panel, 4 x 2

Applies to 4220ST

Ref	Part No.	Part Description	Comments	Revision
	dwg23836	Drawing Image Number		
1.	700-211D	DASH BACKER PLATE		
2.	800-236C	RIVET, 1/4		
3.	833-020C	INDICATOR LIGHT STRIP 8-PIN		
4.	833-254C	DUMP SWITCH WAYTEK 44304		
5.	833-267C	SWITCH MOUNT END		
6.	833-268C	PANEL PLUG		
7.	833-269C	SWITCH ROCKER SPST		
8.	833-271C	SWITCH ACTUATOR		
9.	833-298C	GAUGE, VOLT METER		
10.	833-299C	GAUGE, HOUR METER		
11.	833-336C	IGNITION SWITCH W/2 KEYS(6PIN)		
12.	838-623C	DECAL INSTRUMENT PANEL		
13.	840-160C	INSTRUMENT PANEL		
14.	840-248C	DASH TRUCK		
15.	833-342C	KEY W/SHIELD (RP FOR 833-336C)		

Instrument Panel, 4 x 4

Applies to 4420ST



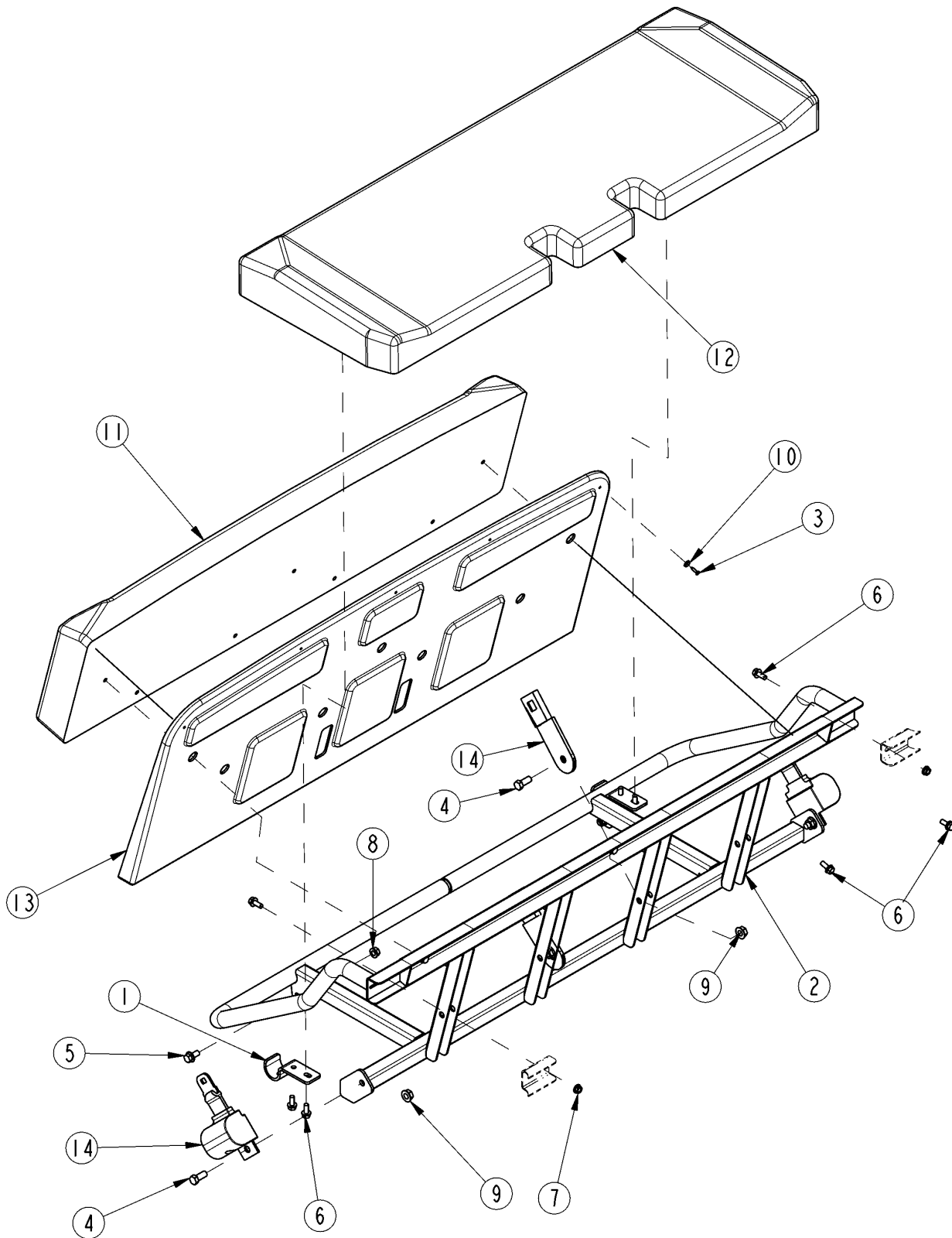
23838

Instrument Panel, 4 x 4**Applies to 4420ST**

Ref	Part No.	Part Description	Comments	Revision
	dwg23838	Drawing Image Number		
1.	700-211D	DASH BACKER PLATE		
2.	800-236C	RIVET, 1/4		
3.	833-020C	INDICATOR LIGHT STRIP 8-PIN		
4.	833-254C	DUMP SWITCH WAYTEK 44304		
5.	833-267C	SWITCH MOUNT END		
6.	833-268C	PANEL PLUG		
7.	833-269C	SWITCH ROCKER SPST		
8.	833-271C	SWITCH ACTUATOR		
9.	833-298C	GAUGE, VOLT METER		
10.	833-299C	GAUGE, HOUR METER		
11.	833-336C	IGNITION SWITCH W/2 KEYS(6PIN)		
12.	838-633C	DECAL INSTR. PANEL TRUCK 4X4		
13.	840-160C	INSTRUMENT PANEL		
14.	840-248C	DASH TRUCK		
15.	833-342C	KEY W/SHIELD (RP FOR 833-336C)		

Bench Seat Option

Applies to 4220ST, 4420ST



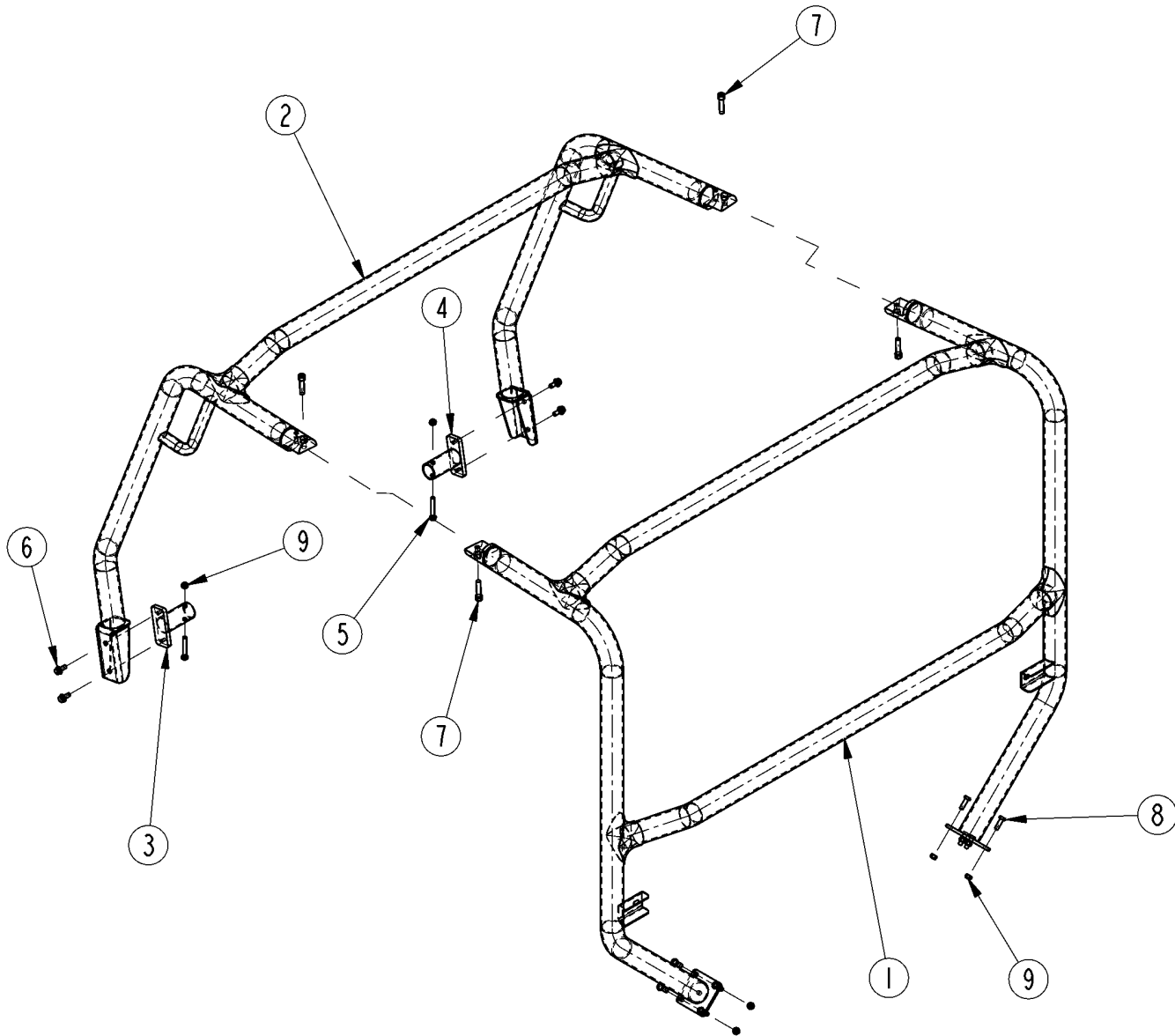
23825

Bench Seat Option**Applies to 4220ST, 4420ST**

Ref	Part No.	Part Description	Comments	Revision
	dwg23825	Drawing Image Number		
1.	700-389D	SEAT PIVOT PLATE		
2.	700-460H	BENCH SEAT WELDMENT		
3.	801-214C	SCREW, OVPH SM 8 X 3/4 SS		
4.	802-080C	HHCS 7/16-14X1 GR5		
5.	802-185C	HFSS 3/8-16X3/4 LG		
6.	802-387C	HFS 5/16-18X3/4 GR5		
7.	803-177C	NUT HEX FLG TP LK 5/16-18ZNYCR		
8.	803-209C	NUT FLANGE LOCK 3/8-16 PLT		
9.	803-229C	NUT HEX FLANGE LOC 7/16-14 PLT		
10.	804-223C	WASHER, #8 FINISH CUP		
11.	839-409C	BENCH SEAT BACK TAN (ST)		
11.	840-317C	BENCH SEAT BACK CUSH, BLACK		
12.	839-410C	BENCH SEAT BOTTOM TAN (ST)		
12.	840-316C	BENCH SEAT BOTTOM CUSH, BLACK		
13.	840-269C	BENCH SEAT BACK PANEL		
14.	840-272C	SEAT BELT RETRACTABLE		

Four Post Accessory Bar

Applies to 4220ST, 4420ST



24740

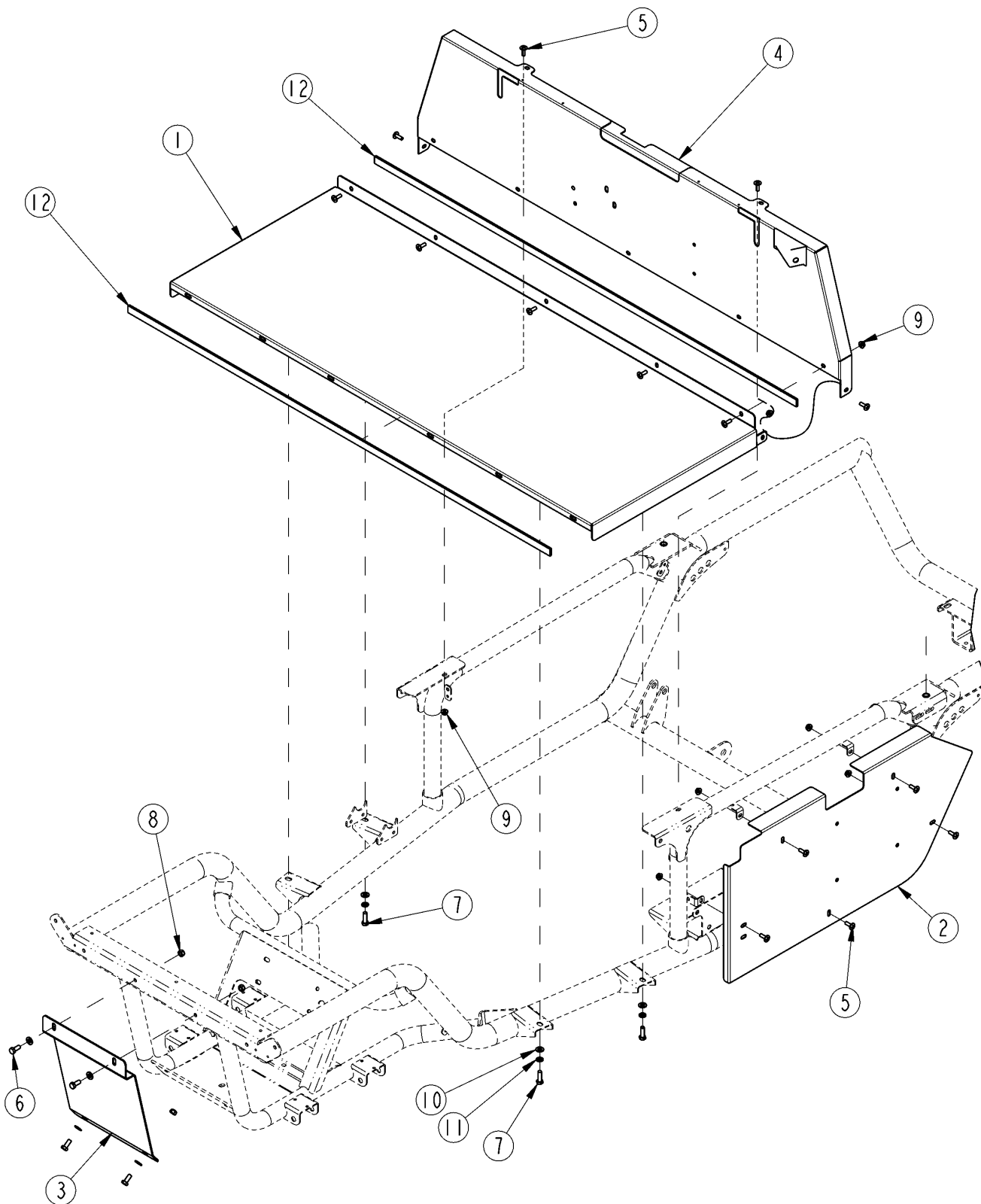
Four Post Accessory Bar

Applies to 4220ST, 4420ST

Ref	Part No.	Part Description	Comments	Revision
	dwg24740	Drawing Image Number		
1.	700-421H	WELDMENT, ACCESSORY BAR REAR		
2.	700-425H	WELDMENT, ACCESSORY BAR FRONT		
3.	700-445H	BAR MOUNT FRONT LH		
4.	700-446H	BAR MOUNT FRONT RH		
5.	802-115C	HHCS 5/16-18X2 GR5		
6.	802-387C	HFS 5/16-18X3/4 GR5		
7.	802-480C	HSHCS 3/8-16X1 1/2	Apply Loctite	
8.	802-738C	HHCS 5/16-18X1 GR5 YELLOW DIE	Apply Loctite	
9.	803-084C	NUT HEX NYLOCK 5/16-18 PLT		

Floor Panel and Shields

Applies to 4220ST, 4420ST



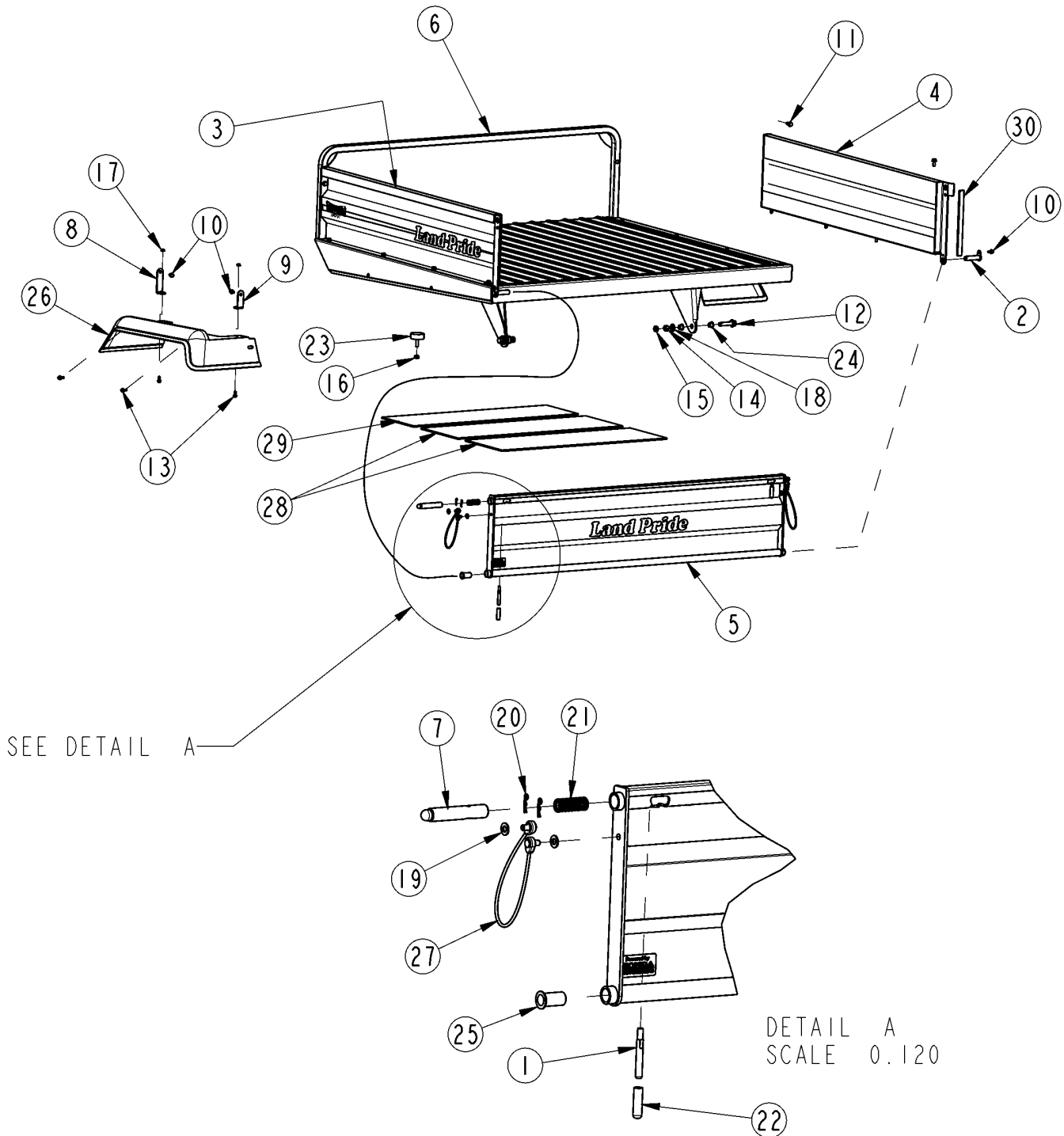
23839

Floor Panel and Shields**Applies to 4220ST, 4420ST**

Ref	Part No.	Part Description	Comments	Revision
	dwg23839	Drawing Image Number		
1.	700-047H	FLOOR WIDE WELDMENT		
2.	700-145D	SIDE PANEL, WIDE		
3.	700-197D	FRONT FRAME GUARD ST		
4.	700-289H	KICK PANEL WLDMNT (ST)		
5.	801-180C	TPHMS Y 1/4-20X3/4 YELLOW DIE		
6.	802-735C	HHCS 5/16-18X3/4 GR5 YELLOW DI		
7.	802-738C	HHCS 5/16-18X1 GR5 YELLOW DIE		
8.	803-084C	NUT HEX NYLOCK 5/16-18 PLT		
9.	803-293C	NUT HEX FLNG T-LOCK 1/4-20 PLT		
10.	804-084C	WASHER FLAT 5/16 HARD ASTM F436		
11.	804-201C	WASHER LOCK SPRING 5/16 YELLOW		
12.	990-227R	FOAM RUBBER 3/16X3/4 THK W/PSA	52.5" Lg.	

Cargo Box Components

Applies to 4220ST, 4420ST



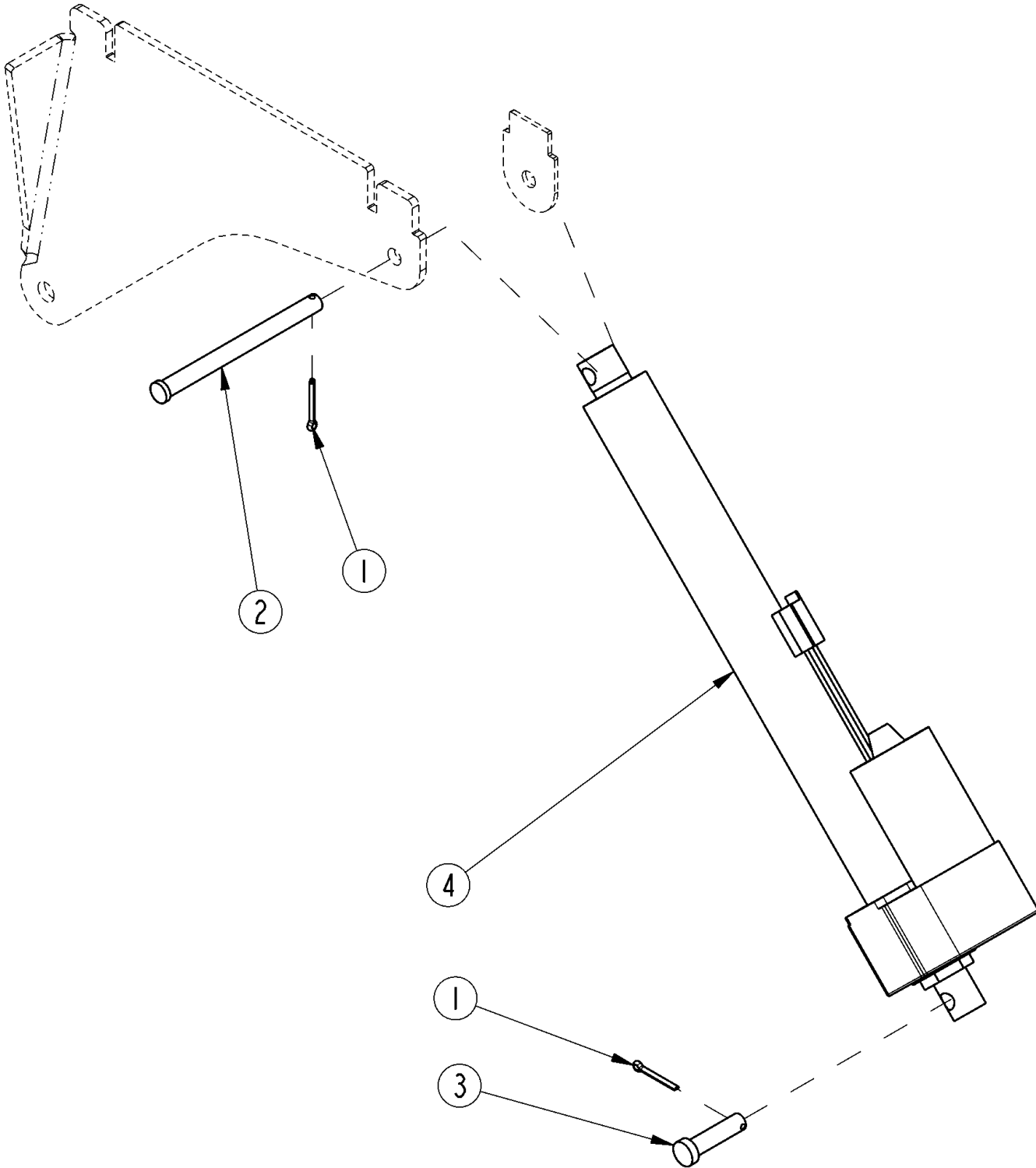
Cargo Box Components

Applies to 4220ST, 4420ST

Ref	Part No.	Part Description	Comments	Revision
	dwg24741	Drawing Image Number		
1.	700-318D	TAILGATE LATCH HANDLE		
2.	700-461H	WELDMENT, TAILGATE PIVOT		
3.	700-475V	LH BED SIDE ASSY, GREEN 4220	Includes Decals	
3.	700-476V	LH BED SIDE ASSY, GREEN 4420	Includes Decals	
3.	700-477V	LH BED SIDE ASSY, YLLW 4220	Includes Decals	
3.	700-478V	LH BED SIDE ASSY, YLLW 4420	Includes Decals	
3.	700-479V	LH BED SIDE ASSY, RED 4220	Includes Decals	
3.	700-480V	LH BED SIDE ASSY, RED 4420	Includes Decals	
3.	700-481V	LH BED SIDE ASSY, CAMO	Includes Camo Panel & Decals	
4.	700-483V	RH BED SIDE ASSY, GREEN 4220	Includes Decals	
4.	700-484V	RH BED SIDE ASSY, GREEN 4420	Includes Decals	
4.	700-485V	RH BED SIDE ASSY, YLLW 4220	Includes Decals	
4.	700-486V	RH BED SIDE ASSY, YLLW 4420	Includes Decals	
4.	700-487V	RH BED SIDE ASSY, RED 4220	Includes Decals	
4.	700-488V	RH BED SIDE ASSY, RED 4420	Includes Decals	
4.	700-489V	RH BED SIDE ASSY, CAMO	Includes Camo Panel & Decals	
5.	700-491V	TAILGATE ASSEMBLY, GREEN	Includes Decals, Latch & Bushings	
5.	700-492V	TAILGATE ASSEMBLY, YELLOW	Includes Decals, Latch & Bushings	
5.	700-493V	TAILGATE ASSEMBLY, RED	Includes Decals, Latch & Bushings	
5.	700-494V	TAILGATE ASSEMBLY, CAMO 4220	Includes Camo Panels, Decals, Latch & Bushings	
5.	700-495V	TAILGATE ASSEMBLY, CAMO 4420	Includes Camo Panels, Decals, Latch & Bushings	
6.	700-499V	BED BASE SUB-ASSY, BLACK	Includes Decals, Inserts & Heat Shielding	
7.	700-573D	LATCH PIN		
8.	700-588D	BRACKET, FENDER MOUNT FRONT		
9.	700-590D	BRACKET, FENDER MOUNT REAR		
10.	801-032C	SCREW HEX SELF-TAP 1/4-20X 1/2		
11.	802-387C	HFS 5/16-18X3/4 GR5		
12.	802-797C	HFS 1/2-13X2 1/4 GR5 PLT		
13.	802-811C	HFS 1/4-20X5/8 GR5 YLW		
14.	803-019C	NUT LOCK 1/2-13 PLT		
15.	803-036C	NUT HEX JAM 1/2-13 PLT		
16.	803-068C	NUT HEX FLANGE 3/8-16 PLT		
17.	803-293C	NUT HEX FLNG T-LOCK 1/4-20 YLW		
18.	804-016C	WASHER FLAT 1/2 SAE PLT		
19.	804-036C	WASHER FLAT 5/16 SAE PLT		
20.	805-302C	PIN HAIR COTTER .059W 15/16LG		
21.	807-250C	SPRING COMP .734ODX2.06X.072W		
22.	816-492C	RUBBER TAILGATE LATCH SLEEVE		
23.	816-560C	RUB. STOP 2" W/ 3/8X1.25 STUD		
24.	817-559C	BUSHING 1/2IDX5/8ODX1/2 FLANGE		
25.	817-616C	BEARING .75DX.625IDX1.5L W/FLG		
26.	840-122C	FENDER BLACK UNIVERSAL TRUCK		
27.	840-289C	TRUCK TAILGATE CABLE		
28.	840-318C	HEAT SHIELD / INSUL BED		
29.	840-320C	HEAT SHIELD / INSUL BED FRONT		
30.	990-235R	SPONGE RUBBER, 1/4X3/4 W/PSA X 10" LG.	S/N 514645+ Sold By The Foot	
30.	816-556C	BUMPER, CYLINDRICAL	S/N 514644-	

Cargo Box Power Lift

Applies to 4220ST, 4420ST



24800

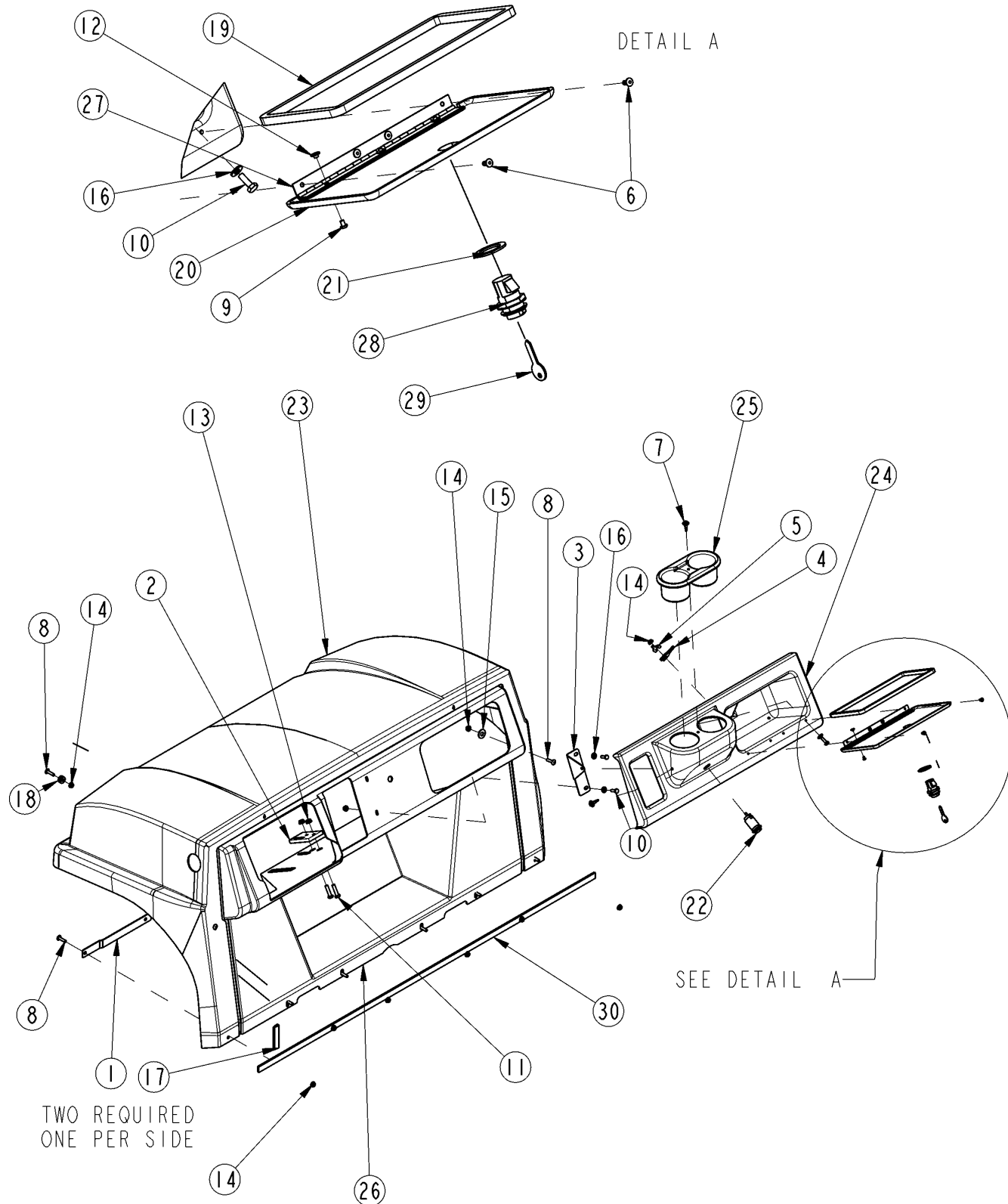
Cargo Box Power Lift

Applies to 4220ST, 4420ST

Ref	Part No.	Part Description	Comments	Revision
	dwg24800	Drawing Image Number		
1.	805-045C	PIN COTTER 5/32 X 1 1/4 LG		
2.	805-252C	PIN CLEVIS 1/2 X 6		
3.	805-303C	PIN CLEVIS 1/2X1 49/64 USABLE		
4.	833-317C	ELECT. LINEAR ACTUATOR 12"STRK		

Hood Assembly Components

Applies to 4220ST, 4420ST



23840

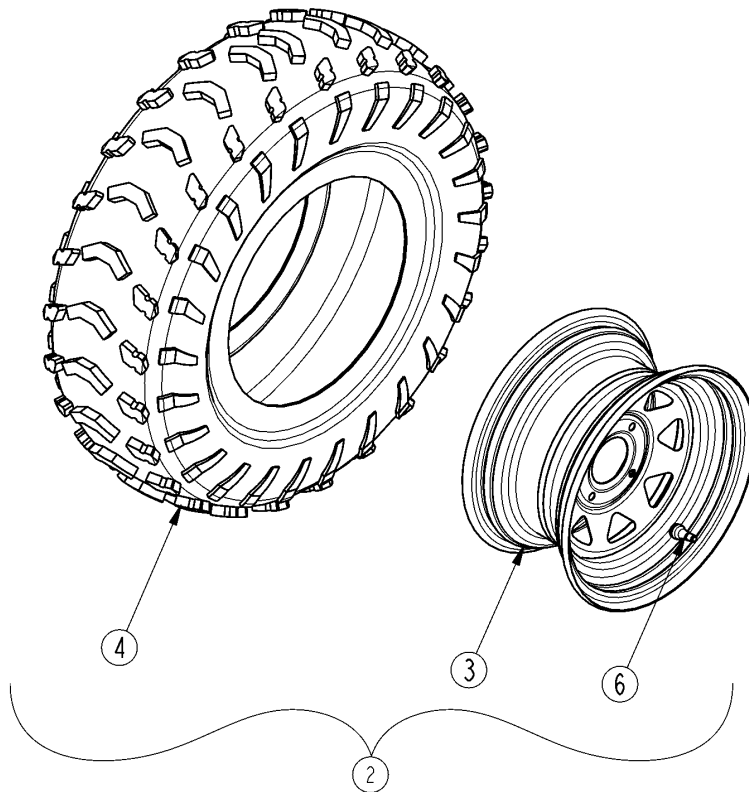
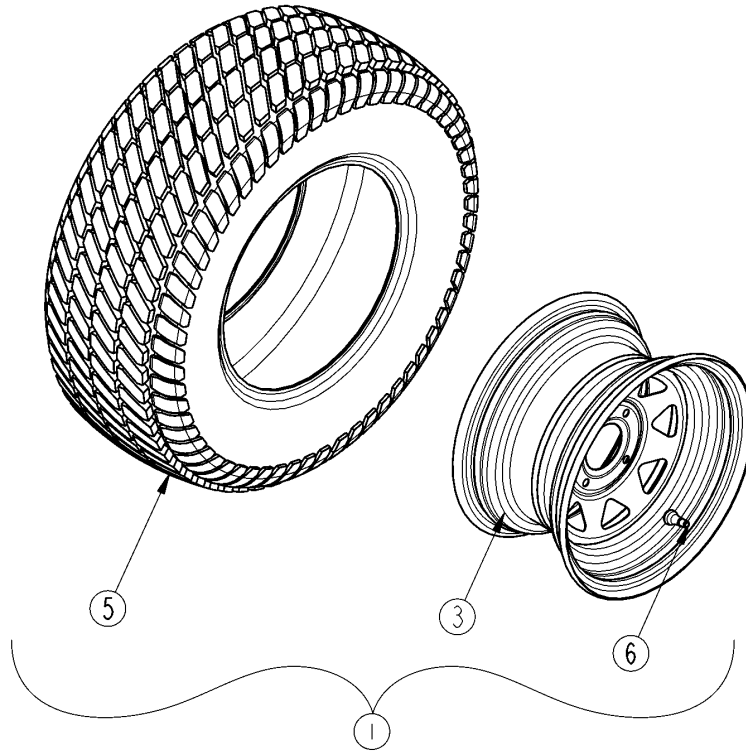
Hood Assembly Components

Applies to 4220ST, 4420ST

Ref	Part No.	Part Description	Comments	Revision
	dwg23840	Drawing Image Number		
1.	700-233D	BACKING PLATE FOR TRUCK BODY		
2.	700-255D	BODY MOUNT SPACER .375 THICK	As Required	
2.	700-254D	BODY MOUNT SPACER .25 THICK	As Required	
3.	700-442D	DASH MOUNT PLATE		
4.	700-599D	SPCR, GLOVE BOX MOUNT 3/16	As Required .19 Thick	
5.	700-600D	SPCR, GLOVE BOX MOUNT 10GA	As Required .13 Thick	
6.	800-219C	RIVET POP 3/16 .126-.250		
7.	800-236C	RIVET, 1/4 REMOVEABLE		
8.	801-181C	TPHMS Y 1/4-20X1 YELLOW DIE		
9.	801-200C	PHMS #8-32 X 1/4, SS BLACK		
10.	802-004C	HHCS 1/4-20X3/4 GR5		
11.	802-010C	HHCS 5/16-18X1 1/4 GR5		
12.	803-129C	NUT, BINDER 8-32 X 1/8		
13.	803-177C	NUT HEX FLG TOP LK 5/16-18 YLW		
14.	803-293C	NUT HEX FLNG T-LOCK 1/4-20 PLT		
15.	804-011C	WASHER FLAT 3/8 USS PLT		
16.	804-117C	WASHER FLAT 1/4 HARD ASTM F436		
17.	816-318C	TRIM, 1/8 RUBBER EDGE(PER FT)		
18.	816-433C	RUBBER GROMMET .75DX.311DX.37T		
19.	816-494C	SEAL, GLOVE BOX DOOR		
20.	817-628C	DOOR, TRUCK GLOVE BOX		
21.	817-661C	WASHER, 1 1/2 X 1 X .08 THICK		
22.	833-322C	POWER PLUG OUTLET 12V		
23.	700-178A	SERV - ST 4X2 BODY-RED W/DECAL		
23.	700-179A	SERV - ST 4X2 BODY-GREEN/DECAL		
23.	700-180A	SERV - ST 4X2 BODY-YELLOW/DCL		
23.	700-181A	SERV - ST 4X2 BODY-CAMO/DECALS		
23.	700-186A	SERV - ST 4X4 BODY-RED W/DECAL		
23.	700-187A	SERV - ST 4X4 BODY-GREEN/DECAL		
23.	700-188A	SERV - ST 4X4 BODY-YELLOW/DCL		
23.	700-189A	SERV - ST 4X4 BODY-CAMO/DECALS		
24.	700-324A	10 SERIES DASH W/DECALS		
25.	840-275C	CUP HOLDER INSERT		
26.	700-319A	4210ST FOOTWELL W/ DECALS		
26.	700-320A	4410ST FOOTWELL W/ DECALS		
27.	840-294C	HINGE, 1.25 X 10 CONTINUOUS		
28.	840-306C	LATCH, LOCKABLE TWIST		
28.	840-295C	RPBY 840-306C & 817-661C		
29.	840-307C	KEY GLOVE BOX DOOR- TWIST LOCK		
29.	840-299C	KEY, GLOVE BOX DOOR- PUSH LOCK		
30.	990-227R	FOAM RUBBER 3/16X3/4 THK W/PSA	52.5" Lg.	

Front Tires

Applies to 4220ST, 4420ST



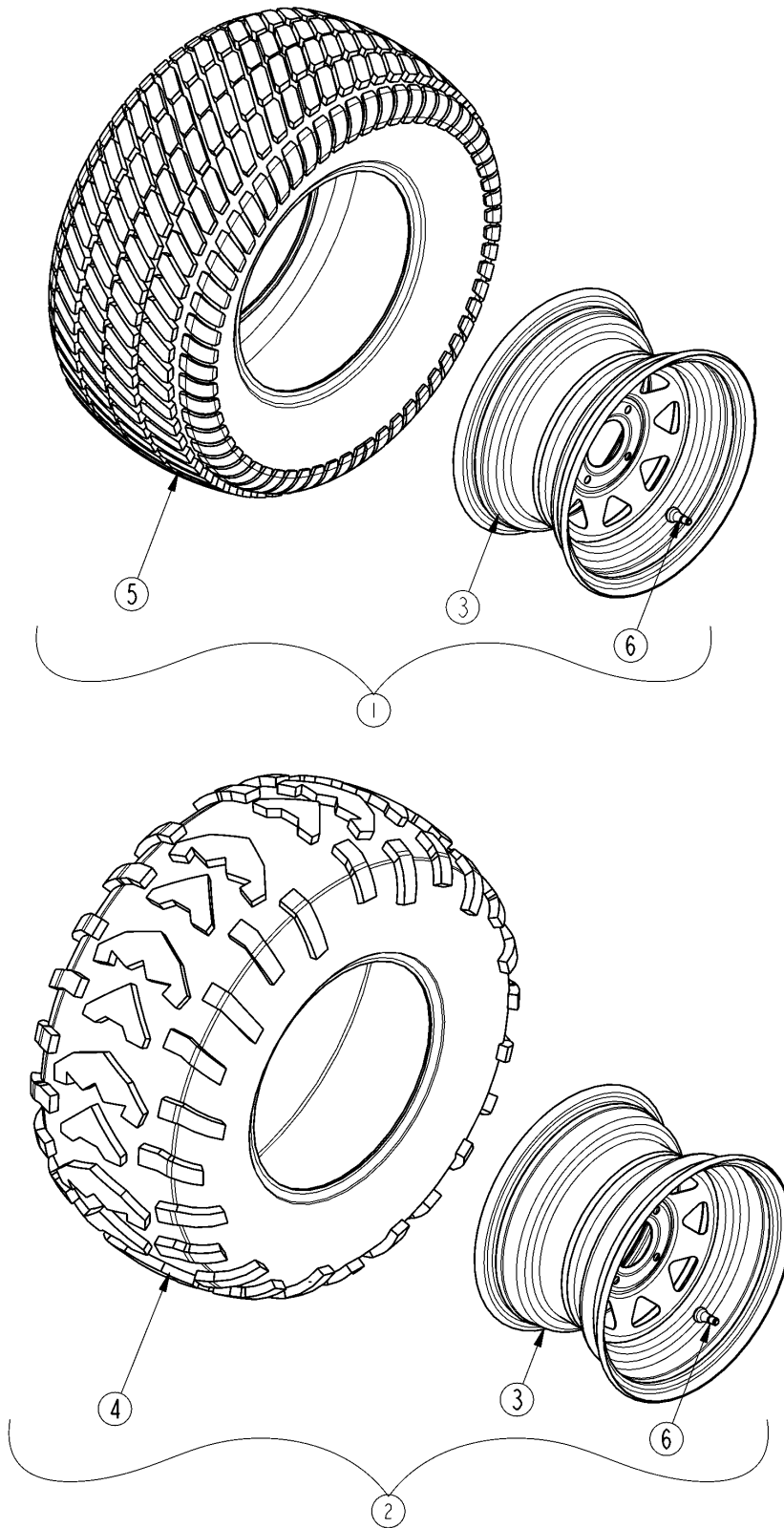
21315

Front Tires**Applies to 4220ST, 4420ST**

Ref	Part No.	Part Description	Comments	Revision
	dwg21315	Drawing Image Number		
1.	700-038S	TIRE/RIM FRONT TURF 23-8.5-12		
2.	710-019S	AT TIRE/RIM, GRAY RIGHT FRONT		
2.	700-386S	AT TIRE/RIM, BLACK RIGHT FRONT		
2.	710-036S	AT TIRE/RIM, GRAY LEFT FRONT		
2.	700-388S	AT TIRE/RIM, BLACK LEFT FRONT		
3.	814-214C	RIM, 12X7 4-4 BOLT GRAY		
3.	814-290C	RIM, 12X7 4-4 BOLT BLACK		
4.	814-216C	TIRE 25 X 8 X 12 AT489		
5.	814-242C	TIRE TURF 23-8.5-12		
6.	816-035C	VALVE STEM TR415 X. 625 X 1 1/4 LG		

Rear Tires

Applies to 4220ST, 4420ST



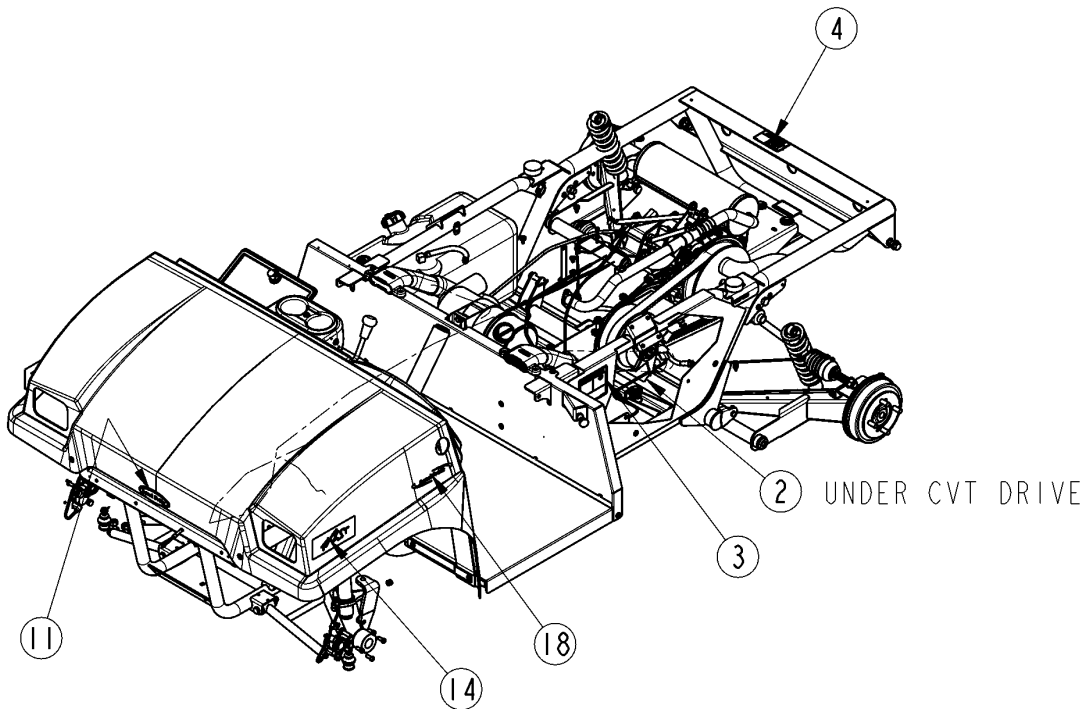
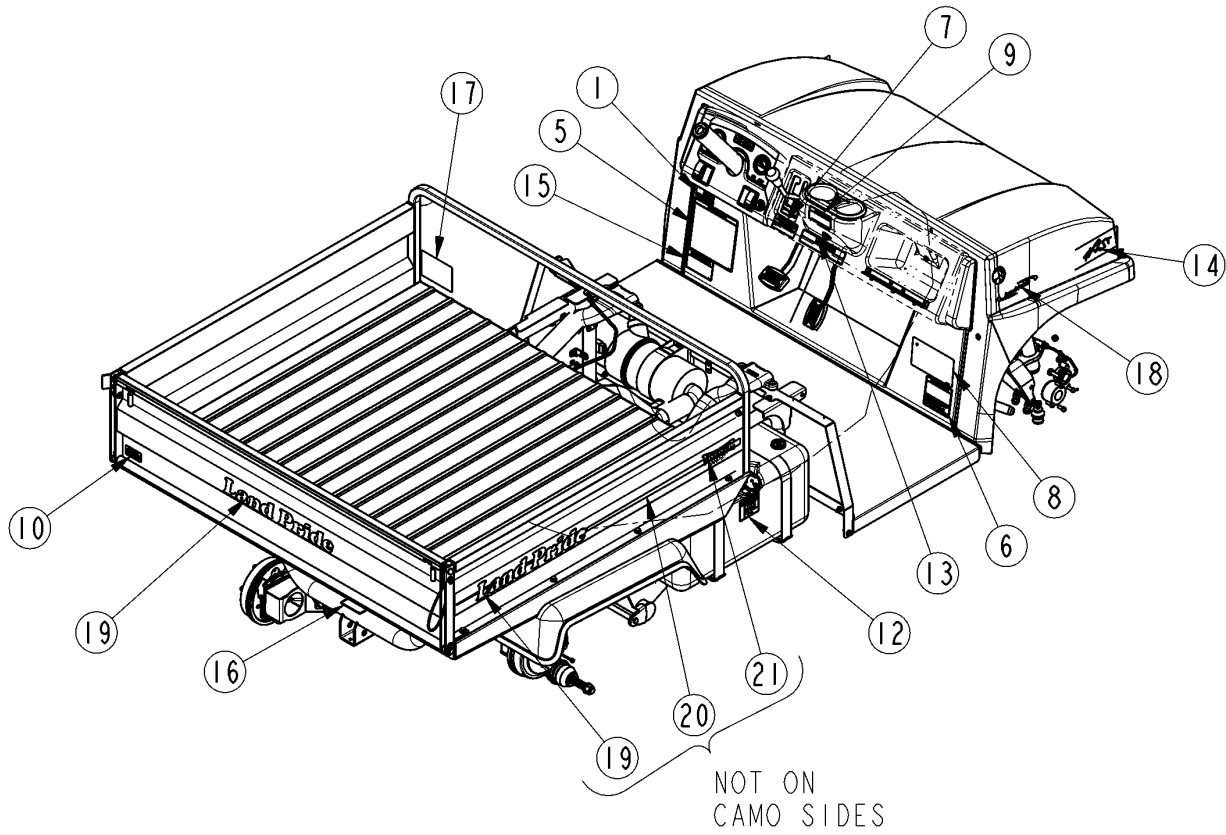
21314

Rear Tires**Applies to 4220ST, 4420ST**

Ref	Part No.	Part Description	Comments	Revision
	dwg21314	Drawing Image Number		
1.	700-037S	TIRE/RIM REAR TURF 23-10.5-12		
2.	710-018S	AT TIRE/RIM, GRAY RIGHT REAR		
2.	700-385S	AT TIRE/RIM BLACK RIGHT REAR		
2.	710-035S	AT TIRE/RIM, GRAY LEFT REAR		
2.	700-387S	AT TIRE/RIM BLACK LEFT REAR		
3.	814-215C	RIM 12X8.5 4-4 BOLT GRAY		
3.	814-289C	RIM 12X8.5 4-4 BOLT BLACK		
4.	814-217C	TIRE 25 X 11 X 12 AT489		
5.	814-241C	TIRE TURF 23-10.5-12		
6.	816-035C	VALVE STEM TR415 X. 625 X 1 1/4 LG		

Decals

Applies to 4220ST, 4420ST



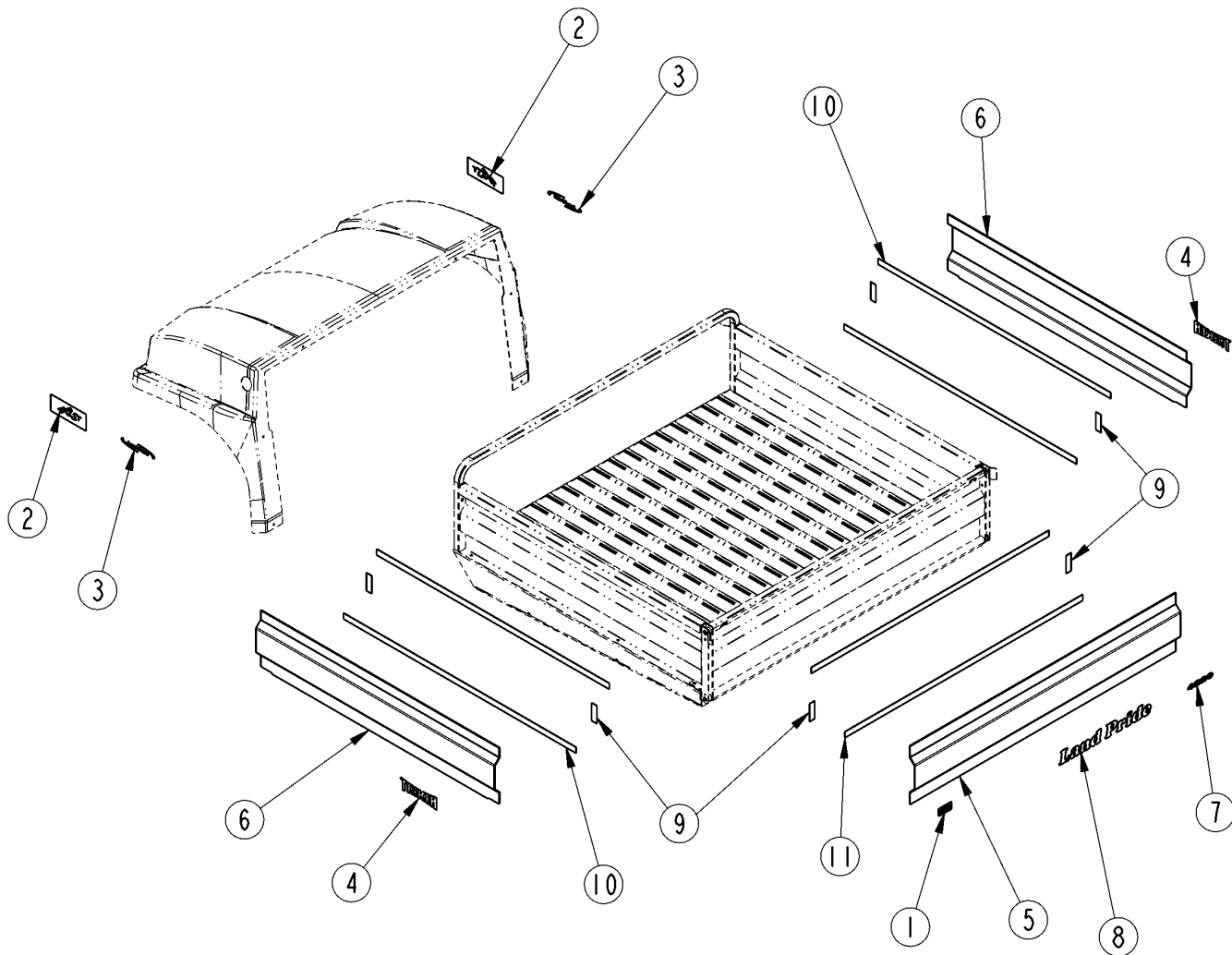
24801

Decals**Applies to 4220ST, 4420ST**

Ref	Part No.	Part Description	Comments	Revision
	dwg24801	Drawing Image Number		
1.	818-190C	DECAL FLAG		
2.	818-543C	DECAL DANGER PD GUARD MISS SML		
3.	838-303C	DECAL DANGER BATTERY		
4.	838-444C	DECAL DANGER HOT		
5.	838-486C	DECAL WARNING GNRAL UTLTY VHCL		
6.	838-489C	DECAL WARNING ROLLOVER HAZARD		
7.	838-490C	DECAL CAUTION STOP ENGINE		
8.	838-491C	DECAL WARNING IMPROPER USE		
9.	838-492C	DECAL CAUTION PWR SRC MAX 12V		
10.	838-495C	DECAL HONDA		
11.	838-507C	DECAL LP FRONT EMBLEM		
12.	838-508C	DECAL WARNING ENG. COOL B4 GAS		
13.	838-532C	DECAL WARNING VEHICLE ROLLOVER		
14.	838-547C	DECAL 4X2ST SANDSTONE	Green	
14.	838-550C	DECAL 4X4ST BLACK	Red, Yellow & Camo	
14.	838-551C	DECAL 4X4ST SANDSTONE	Green	
14.	838-546C	DECAL 4X2ST BLACK	Red, Yellow & Camo	
15.	838-570C	DECAL WARNING (GVW)LOAD 4200ST		
15.	838-663C	DECAL WARNING (GVW)LOAD 4400ST		
16.	838-579C	DECAL TRAILER TOWING NT/ST		
17.	838-629C	DECAL WARNING PINCH PT/CRUSH		
18.	838-644C	DECAL LAND PRIDE GOLD 6.42X1.3		
19.	848-019C	DECAL LAND PRIDE 17.7X2.6 TAN	Not on Camo Unit	
20.	848-039C	DECAL, TREKER GREEN STRIPE	Not on Camo Unit	
20.	848-040C	DECAL, TREKER RED STRIPE	Not on Camo Unit	
20.	848-041C	DECAL, TREKER YELLOW STRIPE	Not on Camo Unit	
21.	848-042C	DECAL, TREKER 4220ST	Not on Camo Unit	
21.	848-043C	DECAL, TREKER 4420ST	Not on Camo Unit	

Decals and Panels Camo

Applies to 4220ST, 4420ST



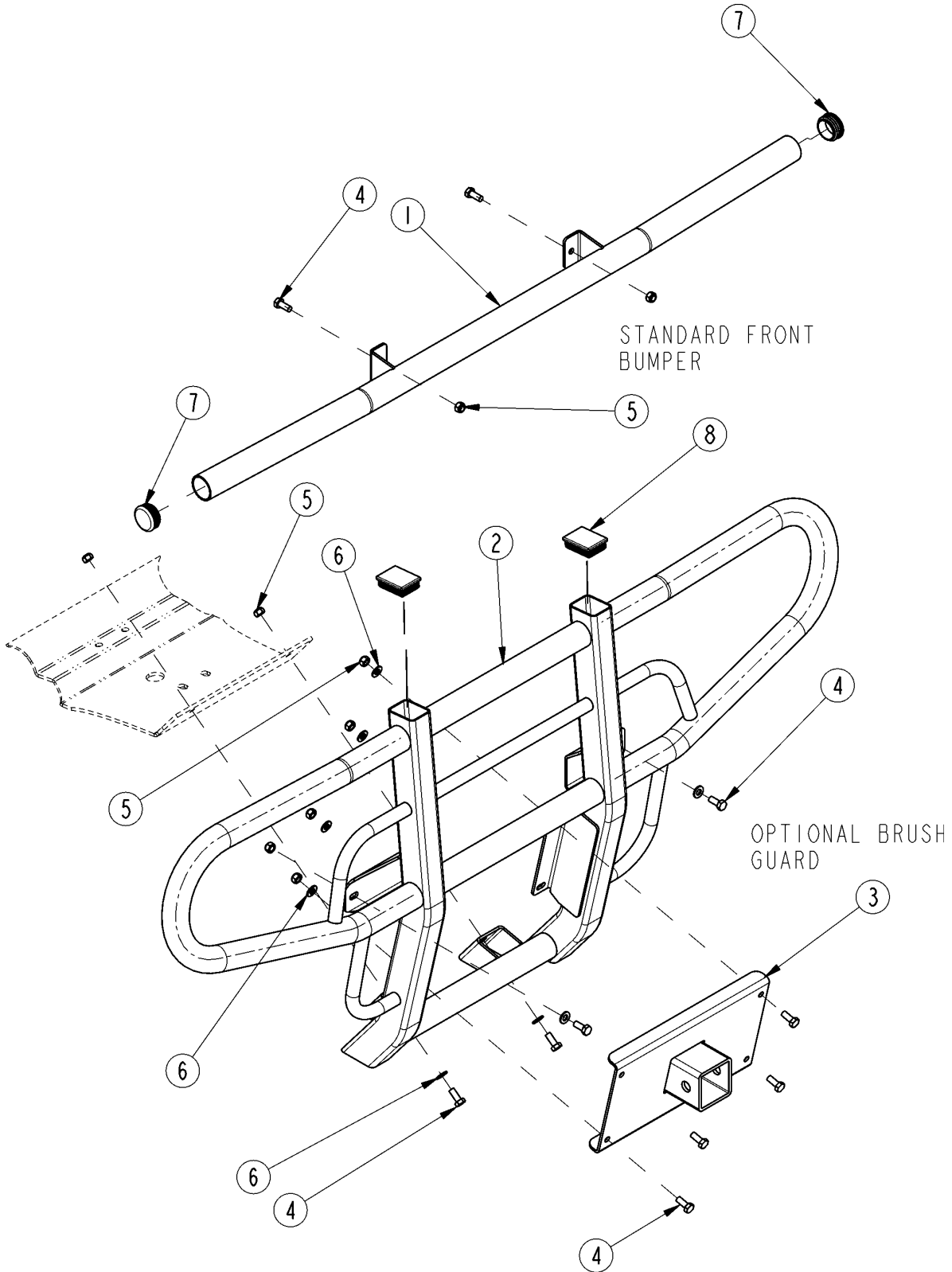
24742

Decals and Panels Camo**Applies to 4220ST, 4420ST**

Ref	Part No.	Part Description	Comments	Revision
	dwg24742	Drawing Image Number		
1.	838-495C	DECAL HONDA		
2.	838-546C	DECAL 4X2ST BLACK		
2.	838-550C	DECAL 4X4ST BLACK		
3.	838-644C	DECAL LAND PRIDE GOLD 6.42X1.3		
4.	838-704C	DECAL, TREKER LOGO 7IN. LG		
5.	840-297C	4410/4210ST CAMO TAILGATE PANL		
6.	840-319C	PANEL, ST CAMO SIDE		
7.	848-017C	DECAL, 4220 TAN		
7.	848-018C	DECAL, 4420 TAN		
8.	848-019C	DECAL LAND PRIDE 17.7X2.6 TAN		
9.	990-132R	3M DOUBLE SIDED TAPE 1X.035	3" Lg.	
10.	990-132R	3M DOUBLE SIDED TAPE 1X.035	45" Lg.	
11.	990-132R	3M DOUBLE SIDED TAPE 1X.035	46" Lg.	

Bumper Front Standard and Brush Guard Option

Applies to 4220ST, 4420ST



23831

Bumper Front Standard and Brush Guard Option**Applies to 4220ST, 4420ST**

Ref	Part No.	Part Description	Comments	Revision
	dwg23831	Drawing Image Number		
1.	700-106H	FRONT BUMPER WIDE		
2.	700-268H	BRUSH GUARD WLDMNT	Optional	
3.	700-330H	HITCH WELDMENT FRONT		
4.	802-735C	HHCS 5/16-18X3/4 GR5 YELLOW DI		
5.	803-084C	NUT HEX NYLOCK 5/16-18 PLT		
6.	804-084C	WASHER FLAT 5/16 HARD ASTM F436		
7.	817-538C	PLUG PLASTIC(1.5OD .083-.035WL		
8.	817-589C	PLASTIC END CAP 2X1 1/2		



Part Number Index

The Part Number Index is a numeric index of all part numbers included in this manual. The index shows what page(s) the part is used on.

Part Number	Page	Part Number	Page	Part Number	Page	Part Number	Page
0-332-209-150	65	47002300	17	700-268H	91	700-493V	77
0080-0021	41	5048	45, 51	700-269H	25	700-494V	77
0080-0031	39	5051	45, 51	700-270H	25	700-495V	77
0080-0167	41	5803	53	700-271H	25, 27	700-499V	77
0080-0220	39	585965	53	700-272H	25, 27	700-503S	37
0115-0050	41	585994	53	700-273S	27	700-518A	53
012CH289	53	6030-3001	39	700-274D	43	700-524D	29
012CH291-2X	53	6105-0005	39	700-286D	37	700-525D	29
012GS202-X	53	6110-0001	39	700-289H	75	700-573D	77
012GS204-X	53	6203-01-166	47	700-316A	9	700-588D	77
012GS207-X	53	6203-12-064-B	47	700-318D	77	700-590D	77
012GS215	53	6203-12-100	47	700-319A	81	700-591D	37
012GS216	53	6203-13-124-D	47	700-320A	81	700-599D	81
012GS302	53	6203-13-165	47	700-324A	81	700-600D	81
012GS307	53	6203-20-072	47	700-330H	91	710-018S	85
012GS337	53	6203-26-020-A	47	700-341S	33	710-019S	83
012GV164-X	53	6203-27-017-B	47	700-342H	33	710-035S	85
012HD106	53	6203-29-010-0	47	700-356D	43	710-036S	83
012HD111	53	6203-35-024-0	47	700-368S	63	710-097D	37
012HD129	53	6203-47-024-B	47	700-371H	15	790-006A	37
012HG145	53	6203-56-001-0	47	700-378D	29, 51	800-007C	63
012HH107	53	6203-59-032-B	47	700-385S	85	800-128C	25, 27
012HH122	53	6203-93-001-0	47	700-386S	83	800-219C	37, 81
012HH128	53	6203-95-001-0	47	700-387S	85	800-235C	37
012HH140	53	680002	17	700-388S	83	800-236C	67, 69, 81
012HM110-1	53	700-017D	63	700-389D	71	800-259C	37, 59
012HM129	53	700-037S	85	700-398S	25	800-271C	37
012HNN120	53	700-038S	83	700-399D	25	800-296C	55
012HNN138	53	700-047H	75	700-400D	25	800-347C	29, 33, 35
012HNN140	53	700-054H	11	700-406D	25	800-350C	37
012HP120	53	700-055H	11	700-408D	55	800-351C	25, 27, 29
012HR128	53	700-056H	33	700-414H	27	800-353C	45
012HR132	53	700-059H	43	700-415H	27	800-355C	33
012HR133	53	700-060H	17	700-418D	29	800-356C	33, 45, 63
012HS121	53	700-074D	43	700-419D	25, 27	800-360C	33
012HS125	53	700-075D	43	700-421H	73	800-366C	29, 55
012HS126	53	700-076D	43	700-422H	15	801-032C	77
012LK133	53	700-078D	43	700-423H	29	801-035C	29
012LK134	53	700-099D	43	700-425H	73	801-151C	35
012SR172	53	700-106H	91	700-442D	81	801-174C	33, 35
012SV118-X	53	700-112A	37	700-445H	73	801-180C	37, 43, 75
012TA378	53	700-127H	19	700-446D	29, 55	801-181C	43, 81
0130-0165	41	700-128S	19	700-446H	73	801-183C	61
0180006	17	700-129D	19	700-447A	29	801-193C	61
026HM107	53	700-131A	11	700-447D	55	801-198C	43
0405-0104	41	700-145D	75	700-448D	55	801-199C	37, 59
0410-0031	41	700-175D	63	700-449D	29	801-200C	81
0430-01-002-T	47	700-178A	81	700-449H	25, 27	801-214C	71
0440-0005	41	700-179A	81	700-450D	25, 27	801-215C	37
0440-2032	41	700-180A	81	700-454D	35	802-004C	25, 27, 29, 63, 81
0518-03-009-T	47	700-181A	81	700-456D	65	802-005C	25, 63
0909001	17	700-186A	81	700-460H	71	802-010C	19, 81
1-0170NPL	45, 55	700-187A	81	700-461H	77	802-017C	45
100301	57	700-188A	81	700-466D	45	802-024C	43
103125	57	700-189A	81	700-475V	77	802-079C	19
109843	57	700-197D	75	700-476V	77	802-080C	71
1215-02-038-T	47	700-206D	19	700-477V	77	802-113C	43
1215-02-141-T	47	700-207S	43	700-478V	77	802-115C	45, 73
1215-02-154-T	47	700-211D	67, 69	700-479V	77	802-143C	25, 27, 43
1242-00-009-T	47	700-212D	13	700-480V	77	802-185C	71
200300	57	700-213D	63	700-481V	77	802-197C	29
2003PR	57	700-233D	81	700-483V	77	802-257C	65
2003VB	57	700-245K	43	700-484V	77	802-320C	37
20061	17	700-254D	19, 81	700-485V	77	802-382C	31
203293	57	700-255D	19, 81	700-486V	77	802-387C	17, 71, 73, 77
23035	17	700-255H	25, 27	700-487V	77	802-480C	73
244610	57	700-256S	15	700-488V	77	802-486C	7
244643	57	700-257S	15	700-489V	77	802-589C	23
41356	53	700-262H	15	700-491V	77	802-609C	7
43142100	17	700-263H	15	700-492V	77	802-628C	17



Part Number Index (continued)

Part Number	Page	Part Number	Page	Part Number	Page	Part Number	Page
802-714C	17	805-303C	79	826-417C	55, 57	839-376C	59
802-731C	35	805-342C	29	826-419C	55	839-377C	59
802-735C	19, 55, 61, 75, 91	807-219C	61	826-438C	45	839-383C	61
802-738C	33, 37, 55, 59, 73, 75	807-227C	19	826-454C	51, 53	839-401C	61
802-751C	13	807-250C	77	826-456C	51	839-402C	61
802-752C	59	814-214C	83	826-458C	53	839-403C	61
802-758C	55	814-215C	85	826-523C	37	839-409C	71
802-760C	17	814-216C	83	826-525C	37	839-410C	71
802-769C	29, 51	814-217C	85	82775	31	840-002C	19
802-771C	11	814-241C	85	82779	31	840-064C	17
802-774C	29, 55	814-242C	83	82781	31	840-065C	17
802-781C	31	814-289C	85	82785	31	840-072C	59
802-788C	25, 27	814-290C	83	82788	31	840-080C	25, 27, 43
802-793C	65	815-143C	7, 23	82960	31	840-093C	17
802-797C	77	815-144C	7, 23	82967	31	840-100C	11
802-809C	29	815-145C	21	82968	31	840-101C	13
802-811C	27, 77	815-146C	21	831-035C	63	840-104C	33
802-823C	37	815-147C	23	83113	31	840-105C	65
803-005C	43	815-150C	33	833-020C	67, 69	840-108C	43
803-008C	65	815-151C	33	833-254C	67, 69	840-122C	77
803-019C	77	815-152C	33	833-255C	65	840-130C	17
803-036C	77	815-154C	33	833-256C	65	840-134C	19, 33
803-068C	19, 77	815-155C	33	833-267C	67, 69	840-137C	7
803-078C	11, 43, 45	815-156C	33, 35	833-268C	67, 69	840-142C	43
803-084C	17, 33, 45, 55, 73, 75, 91	815-157C	33, 35	833-269C	67, 69	840-160C	67, 69
803-086C	19	815-158C	33, 35	833-271C	67, 69	840-226C	7
803-123C	31	815-163C	33	833-298C	67, 69	840-227C	7
803-129C	81	815-165C	35	833-299C	67, 69	840-228C	7
803-131C	37	815-167C	33, 35	833-303C	65	840-229C	7
803-149C	41	815-173C	33	833-317C	79	840-241C	19
803-177C	19, 29, 33, 37, 59, 61, 71, 81	815-174C	33	833-322C	81	840-248C	67, 69
803-209C	25, 27, 43, 71	815-175C	33, 35	833-330C	25, 27	840-266C	37, 59
803-211C	25, 27	815-178C	35	833-336C	67, 69	840-268C	37
803-220C	61	815-190C	33	833-337C	65	840-269C	71
803-229C	23, 43, 71	815-196C	33	833-342C	67, 69	840-270C	25, 27, 29
803-255C	25, 27, 29, 51, 63	815-210C	33	833-372C	65	840-271C	25, 27, 29
803-278C	17	815-211C	35	833-373C	65	840-272C	71
803-280C	7, 11, 17, 23	816-035C	83, 85	83465	31	840-275C	81
803-281C	7	816-318C	81	838-303C	87	840-288C	25, 27
803-283C	17	816-421C	59	838-444C	87	840-289C	77
803-293C	27, 43, 65, 75, 77, 81	816-433C	81	838-486C	87	840-294C	81
803-319C	15	816-469C	37	838-489C	87	840-295C	81
803-329C	21	816-470C	37	838-490C	87	840-297C	89
803-332C	23, 45, 51	816-471C	37	838-491C	87	840-298C	59
803-334C	13	816-492C	77	838-492C	87	840-299C	81
803-341C	7	816-494C	81	838-495C	87, 89	840-306C	81
804-005C	23, 45, 51	816-522C	59	838-507C	87	840-307C	81
804-011C	7, 25, 27, 43, 45, 81	816-546C	37	838-508C	87	840-312C	29, 31
804-012C	31, 37	816-556C	77	838-532C	87	840-315C	61
804-013C	37, 45, 55	816-560C	77	838-546C	87, 89	840-316C	71
804-015C	37	817-019C	25, 27	838-547C	87	840-317C	71
804-016C	37, 77	817-517C	15	838-550C	87, 89	840-318C	77
804-026C	41	817-525C	17	838-551C	87	840-319C	89
804-036C	65, 77	817-526C	33	838-570C	87	840-320C	77
804-084C	17, 55, 61, 75, 91	817-538C	91	838-579C	87	840-321C	11
804-117C	81	817-540C	19	838-623C	67	840-323C	37
804-135C	37	817-559C	77	838-629C	87	840293	53
804-157C	35	817-589C	91	838-633C	69	848-017C	89
804-162C	7	817-616C	77	838-644C	87, 89	848-018C	89
804-201C	55, 65, 75	817-621C	37	838-663C	87	848-019C	87, 89
804-223C	71	817-628C	81	838-704C	89	848-039C	87
805-045C	79	817-661C	81	838-777C	25, 27	848-040C	87
805-063C	7, 17, 29, 33	817-711C	37	839-122C	43	848-041C	87
805-066C	33	817-712C	37	839-297C	63	848-042C	87
805-252C	79	818-190C	87	839-298C	63	848-043C	87
805-302C	77	818-543C	87	839-301C	63	85578	31
		822-203C	45	839-302C	63	890-884C	25, 27, 29
		826-398C	45, 47	839-309C	59	9175	17
		826-400C	17	839-311C	59	990-132R	89
		826-405C	45	839-323C	59	990-227R	75, 81
		826-413C	43	839-375C	59	990-235R	77



Part Number Index (continued)

Part Number	Page	Part Number	Page
D2041	23	F824	23
dwg21159	21	F826	23
dwg21210	13	F827	21, 23
dwg21219	33	F828	21, 23
dwg21221	23	F829	23
dwg21232	47	F832	23
dwg21237	57	F834	23
dwg21240	43	F840	23
dwg21245	63	F843	23
dwg21264	19	F845	23
dwg21314	85	F852	21
dwg21315	83	F855	21
dwg22117	17	F896	23
dwg22118	61	F908	21
dwg23791	7	F909	21, 23
dwg23797	35	N/A	39, 41, 65
dwg23798	25	PK-1584	31
dwg23822	59	PK-1660	31
dwg23825	71	R100-003M-A0427	57
dwg23831	91	R100-004M-A0428	57
dwg23832	9	R100-8B00-A0471	57
dwg23833	55	R100-8B00-A0473	57
dwg23834	51		
dwg23836	67		
dwg23838	69		
dwg23839	75		
dwg23840	81		
dwg23842	65		
dwg23843	53		
dwg23878	29		
dwg23884	31		
dwg23892	11		
dwg24737	15		
dwg24739	37		
dwg24740	73		
dwg24741	77		
dwg24742	89		
dwg24800	79		
dwg24801	87		
dwg25506	41		
dwg25507	39		
dwg25599	27		
F1004	23		
F136	21		
F137	21		
F175	21		
F176	21		
F177	21		
F178	21		
F179	21		
F258	21		
F261	21		
F609	21		
F610	21		
F621	21		
F622	21		
F763	23		
F765	23		
F772	23		
F773	23		
F774	23		
F777	21		
F792	21		
F793	21		
F799	23		
F813	23		
F815	23		
F818	23		
F820	23		
F822	23		
F823	23		

This Page Intentionally Left Blank



Great Plains Manufacturing, Inc.

Corporate Office: P.O. Box 5060
Salina, Kansas 67402-5060 USA

www.landpride.com

Free Manuals Download Website

<http://myh66.com>

<http://usermanuals.us>

<http://www.somanuals.com>

<http://www.4manuals.cc>

<http://www.manual-lib.com>

<http://www.404manual.com>

<http://www.luxmanual.com>

<http://aubethermostatmanual.com>

Golf course search by state

<http://golfingnear.com>

Email search by domain

<http://emailbydomain.com>

Auto manuals search

<http://auto.somanuals.com>

TV manuals search

<http://tv.somanuals.com>