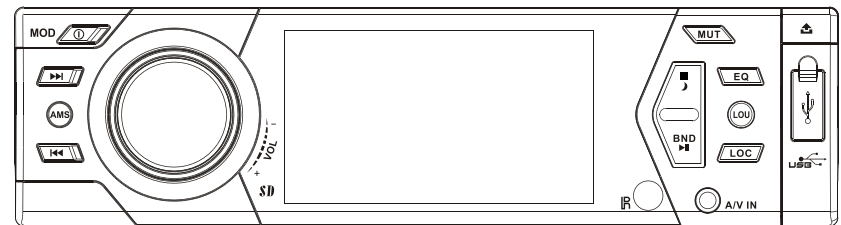


Lanzar®

OWNER'S MANUAL

SD34MIP



COLORFUL LATTICE LCD SCREEN DISPLAY
FOLD DOWN DETACHABLE PANEL
CAR DVD/VCD/CD/MP3/MPEG-4 PLAYER WITH
USB PORT/I-POD AND AM/FM TUNER

www.lanzar.com

Contents

Thank you for buying this product.

Please read through these operation instruments so you will know how to operate your model properly. After reading please keep this booklet in safe place for future reference.

1 Before You Start

- Important Safeguards* 4
- About this manual* 4
- Precautions* 5
- Maintenance* 6
- Location & function of the controls* 7
- Remote control* 9
- Specifications* 11

2 Installation

- Wiring Connections* 12
- Installation* 13
- Detach the Unit* 15
- Cleaning the Connector* 16

3 Common Operations

- Reset the Unit* 17
- Turning the Unit On/Off* 17
- Volume Control* 17
- Setting the Sound Characteristics* 17
- EQ Setting* 17
- Turning Loudness On/Off* 18
- Mute Function* 18
- Clear* 18
- Force Disc Out* 18
- Night Mode* 18
- Mode Selector* 18
- Display Mode* 18
- Infrared Sensor* 18
- AV In* 18
- Release the front panel* 18

4 Main Menu

- Main Menu Setup* 19
- Audio Adjust* 19
- Video Adjust* 20
- Source Setup* 21
- Others* 22

5 DVD

- Basic Operation of DVD* 23
- Playing the Previous/Next Track* 23
- Playing the Track FF/F.REW* 23
- Stop the Playback* 23
- Slow Motion Playback* 23
- System Button* 23
- Increase Picture Size* 23
- Pause the Playback* 23
- Number Buttons* 24
- Repeat Playing* 24
- On Screen Display* 24
- Setting the Playing Time* 24
- Changing the Viewing Angle* 24
- Changing Audio Language* 25
- Changing the Subtitle Language* 25
- Selecting Different Menu/Title* 25
- Set Up Menu* 25

6 VCD/CD/MP3/MPEG-4/USB/ SD

- Playing Discs/USB/SD* 32
- Playing the Previous/Next Track* 32
- Playing the Track FF/F.REW* 32
- System Button* 32
- Repeat Playing* 32
- Playing Tracks in Random Order* 32
- Stop the Playback* 32

Contents

Pause the Playback 33
Changing Audio Language(Multi-audio) 33
File Selector 33
Eject a Disc 33
Slow Motion Playback 33
Picture Sizes 33
On-Screen Display 33
Number Buttons 34
Setting the Playback Time 34
MO/ST Selector 34
Program Playing 34
Playing PBC (Menu) 34
To Capture Picture 35
Exit an USB 35
Exit a SD Card 35

7 IPOD

IPOD play 36
Playing the Previous/Next Track 36
Playing the Track FF/FREW 36
Repeat Playing 36
Playing Tracks in Random Order 36
Pause the Playback 36
On-Screen Display 36
Tracks Selector 37
Back to Root Directory 37
Back to the previous Directory 37
Video or Picture Mode 37
Exit IPOD 37

8 Tuner

Band Selector 38
Manual/Automatic Tuning 38
Selecting the Station 38
DX/LOC Selector 38
MO/ST Selector 38
On-screen Display 38
Scanning/Memorizing Stations
Automatically 38
Number Buttons 39
Selecting Station Directly 39
Radio Menu 40

9 Additional Information

Simple Troubleshooting Guide 41

IMPORTANT SAFEGUARDS

1. **Be sure to connect the color coded leads according to the diagram. Incorrect connections may cause the unit to malfunction or damage the vehicle's electrical system.**
2. **Be sure to connect the speaker (-) leads to the speaker (-) terminal. Never connect the left and right channel speaker cables each other or to the vehicle body.**
3. **Make sure all the connections are completely correct before turning on your unit.**
4. **When replacing the fuse(s), the replacement must be of the same amperage as shown on the fuse holder.**
5. **Do not block vents or radiator panels. Blocking them will cause heat to build up inside and may result in fire.**
6. **After completing the installation and beginning to play the unit(including replacing the battery), please remove the front panel at first, and then press RESET button on the base with pointed object (such as ball-point pen) to set the unit to initial status.**

About this manual

This unit features a number of sophisticated functions ensuring superior operation. All the functions have been designed for the easiest possible use, but many are not self-explanatory. This manual will help you understand the functions and operations of the unit. This manual main explains **remote control operation**. However, in addition to those functions related with DVD/VCD/CD/MP3/MEPG-4/USB operation that can only be operated by the remote control, there are also functions can be operated by the buttons provided for the main unit.

Simple Troubleshooting Guide

The following checklist might help to solve the problems which you meet when using the unit. Please double check and make sure if the connection and the procedure of the operation is properly before using the checklist below .

Problem	Cause/Solution
No power.	<ul style="list-style-type: none"> • Check and make sure whether the fuse is blown, replace with the proper value if necessary.
Some errors occur in the LCD or no function when pressing the button.	<ul style="list-style-type: none"> • Press RESET button.
Unable to receive stations.	<ul style="list-style-type: none"> • Check and make sure whether the antenna is inserted or the antenna is properly connected, if not, insert the antenna or connect it properly.
Poor effect on receiving a station.	<ul style="list-style-type: none"> • Antenna may not be the proper length. Make sure the antenna is fully extended; if broken, replace the antenna with a new one. • The antenna is poorly grounded, check and make sure the antenna is properly grounded at its mounting location.
CDs cannot be loaded.	<ul style="list-style-type: none"> • A CD is loaded in the mechanism.
Sound skips.	<ul style="list-style-type: none"> • The CD is dirty or damaged.
No images.	<ul style="list-style-type: none"> • The Video line from main unit to the TV is not connected properly.
Images skip.	<ul style="list-style-type: none"> • Improper setting of the color system. Set the color system to "PAL" or "NTSC" according to the connected television.

Note:

If any of the problem persist after check list had been made, consult your nearest service dealer. Never attempt to disassemble your unit by yourself.

 **Due to continuous product improvement, the operations are subject to run the model.**

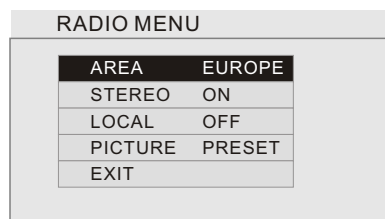
Radio Menu

Press **2** SETUP button, the monitor shows the radio setup menu, you can press **2** [▲] [▼] [▶] [◀] to select your desired item, then press ENTER on the remote control. Press ▲, ▶ or ◀ to select EXIT, then press ENTER to exit the setup.

Note:

- * Rotate VOL and briefly press it on the head unit also performs the same function.

AREA

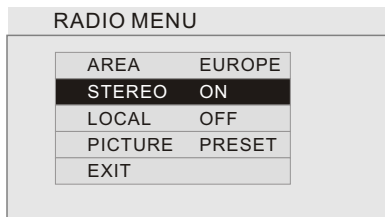


Press [▲] or [▼] to select AREA, then press ENTER, the setting menu appears as follow: Press [▲] [▼] to select your desired item. You can select EUROPE or USA or FM ONLY to search the stations quickly by your current area.

Note:

- * Russian frequency not this item

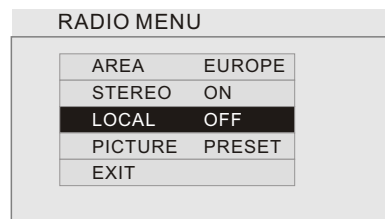
STEREO



Press [▲] or [▼] to select STEREO, then press ENTER, the setting menu appears as follow:

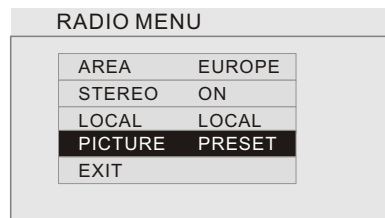
Press [▲] [▼] to turn STEREO on or off then press ENTER.

LOCAL



Press [▲] or [▼] to select LOCAL, then press ENTER, the setting menu appears as follow: Press [▲] [▼] to select your desired item. In this menu to search the LOCAL stations, when selected ON, the strong signal local stations can be received, when selected OFF, the week signal out-of-town stations may be received.

Picture



Press [▲] or [▼] to select PICTURE, then press ENTER, the setting menu appears as follow:

Press [▲] [▼] to select your desired item. CAPTURED: the captured picture set for the wallpaper;

PRESET: the initial wallpaper

PRECAUTIONS

This unit can play the following discs only:

Type of disc	Label on the disc	Recorded material	Size of disc
DVD		Sound and moving pictures	12cm
VCD		Sound and moving pictures	12cm
CD		Sound only	12cm
MP3		Sound only	12cm
MPEG-4		Sound and moving pictures	12cm
USB		Sound and moving pictures	Version 2.0 and less

NOTE: The unit is compatible with VCD1.0/2.0/3.0 version and DVCD disc.

- **Do not attempt to modify the unit, modifying the unit may cause an accident.**
- **Stop the vehicle before carrying out any operation that could interfere with your driving.**
- **Do not work in extremely high or low temperature. Be sure the temperature inside the vehicle is between +60° C and -10° C before turning on your unit .**
- **To enjoy optimum sound and images while playing, handle the discs as follows:**

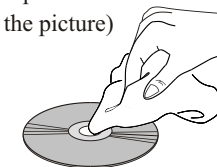
—Do not use your CDs with paste residue or ink attached.



—Do not use CDs with labels or stickers attached, which may leave a sticky residue while beginning to peel off. (Shown as the picture)



—Clean the discs with an optional cleaning cloth. Wipe each disc from the center out. (Shown as the picture)



—Handle the disc by its edge to keep the disc clean, and do not touch the surface.



Maintenance

Replacing the Fuse

Make sure the amperage matches the specified value when replacing the fuses. If the fuse is blown, check the power connection and replace with a new one. If the same problem occurs, it would be subjected to the malfunction. In such cases, please consult to the nearest service dealer.

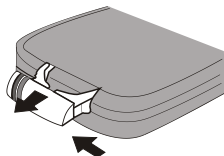
⚠ Warning

Never use the fuse with the rated amperage more than that supplied to your unit, otherwise it will damage the unit.

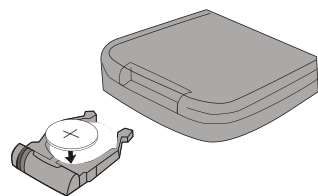
Replacing the Battery

When the range of the operation of the card remote control becomes short or no functions while operating. Replace the lithium battery with a new button cell (CR2025). Make sure the battery polarity before replace.

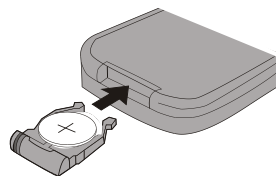
Gently pull out the Battery Holder while pressing the Stopper.



Put the button-type battery with mark(+) upward into the Battery Holder.



Insert the Battery Holder into the Remote Control.



Precautions on Using Lithium Battery

Always keep the lithium battery beyond children's reach. In case swallowed, see a doctor immediately.

Cleaning the battery with a dry cloth, to ensure its perfect connected.

Make sure the proper polarity when loading with the battery.

To prevent short circuit, do not use metal tweezers to clip the battery.

⚠ Warning

Improper handle with the battery may lead to explosion. It cannot be charged, disassembled or thrown into a fire.

Scanning/Memorizing Stations Automatically

During radio status, you can press ④ AMS button on the remote control to scan each stored station 5 seconds respectively which stored in ② Number Buttons (from 1 to 6). You can press the corresponding Number Buttons or AMS button when your desired station is charged. And it starts playing that station.

When press and hold ④ AMS button, it will activate automatically memory storing function. The radio automatically selects a station and has it stored in any one of the Number Buttons from 1 to 6.

▣ Notes:

- * Press AMS on the head unit also performs the same function.
- * The unit can be stored up to 6 stations for each band.
- * Regarding the function of Number Buttons, refer to **Number Buttons** for more information.

Number Buttons

During radio mode, **Number Buttons from 1 to 6** ② can help you store your favorite station. You can follow the steps as below:

When receiving a station, press and hold any one of the Number Buttons until “CH i (i=1~6)” appears on the LCD, which indicates that station is already stored in the corresponding number button. You can store up to 18 FM stations (6 each for FM1, FM2, FM3), up to 12 AM stations (6 each for AM1/MW and AM2/LW).

▣ Note:

- * This function is only operated by using remote control.

Selecting Station Directly

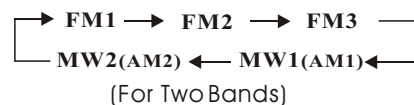
Press ② GOTO button, the monitor shows: FR., input the number to receive the station of this frequencies.

▣ Note:

- * This function is only operated by using remote control.

Band Selector

During radio status, repeatedly press ③ **BAND** button to select bands in the following order:



Note:

- * Press ⑧ button on the head unit also performs the same function.

Manual/Automatic Tuning

Manual Tuning: Repeatedly pressing ⑫ (◀ or ▶) button on the remote control continuously to select a station downward or upward respectively.

Automatic Tuning: Press ⑫ (◀ or ▶) button for more than 3 seconds, the radio automatically searches a station downward or upward respectively and plays when it finds a station.

Note:

- * Press ⑬ button on the head unit also performs the same function.

Selecting the Station

During radio mode, press ⑫ ▲ to select the upward station, press ▼ to select the downward station.

Note:

- * First press AMS on the head unit, and then press ⑬ button on the head unit also performs the same function.

DX/LOC Selector

During radio status, press ⑤ **LOC** button on the remote control to select strong or weak station reception.

- 1 It is set to LOC mode when ⑤ **LOC** button is first pressed. “**LO**” appears on the display and only local station is available.
- 2 It is switched to DX mode when ⑤ **LOC** is pressed again. Both distance and local stations can be received.

Notes:

- * The initial mode is DX mode.
- * Press **LOC** on the head unit or set **LOCAL** in RADIO MENU also performs the same function.

MO/ST Selector

During radio status, you can press ⑥ **ST** button on the remote control to select **Mono** mode or **Stereo** mode.

- 1 Stereo reception is charged when “**ST**” appears.
- 2 It is switched to **MONO** mode when “**MO**” appears.

Note:

- * To set **STEREO** in RADIO MENU also performs the same function.

On-screen display

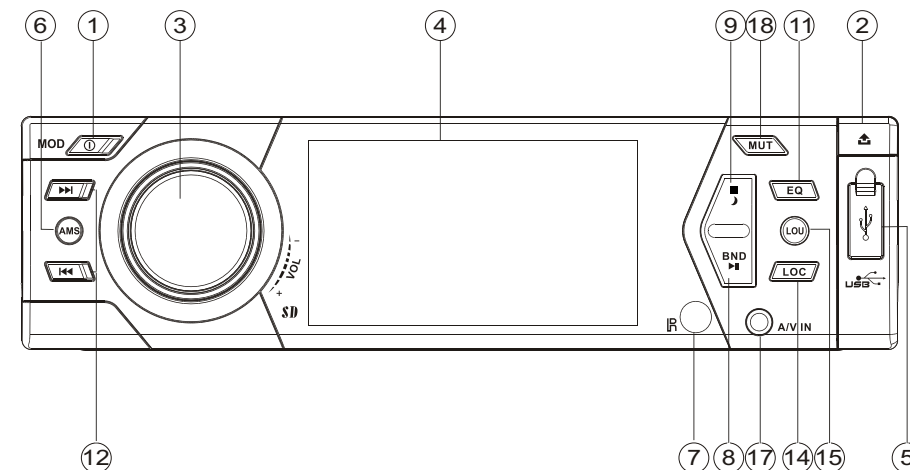
Briefly press ⑧ **OSD** to show the RDS menu, press and hold it to display the current source information.

Note:

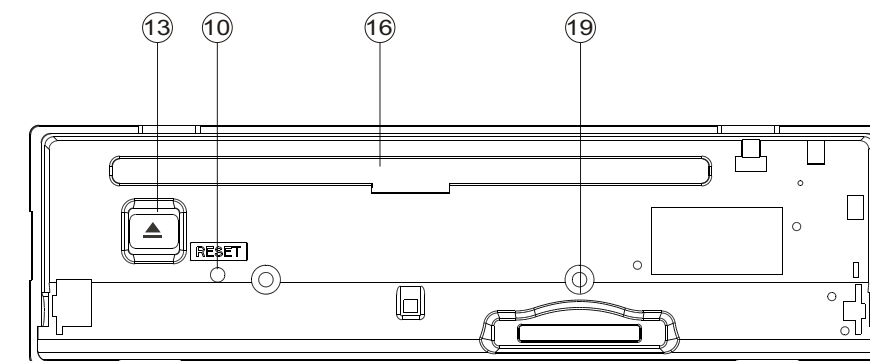
- * This function is operated by using the remote control.

Location of the Controls

Front Panel



Base



- ① MOD/Ⓚ button
Press this button to turn on the unit, when the unit on, briefly press it to set mode, hold and press it to turn off.
- ② Ⓜ (REL) button
Press to release the front panel.
- ③ VOL button
Rotate (VOL) button clockwise to increase the volume level; and rotate(VOL) button anticlockwise to decrease the volume level. Briefly press it to set the volume characteristics; press and hold it to show the system menu; rotate it to set the item.
- ④ LCD (LIQUID CRYSTAL DISPLAY)
To display current status.
- ⑤ USB Socket
- ⑥ AMS button
During radio mode, briefly press it to adjust the stored stations; press and hold it to memory stations automatically. First press it, then press ⏪/⏩ to select stations.
During playback, press it to activate the repeat play function.
- ⑦ Infrared Sensor
- ⑧ BND/▶ (BAND/PAUSE,PLAY) button
During radio mode, press it to select different bands.
During playback, press it to play or pause play, press and hold to stop play.
- ⑨ ■ / ☾ (Stop/Mode display)
Briefly press it to stop playing; press and hold it to select the day mode or night one.
- ⑩ RESET button
Press to set the unit to initial status.
- ⑪ EQ button
Briefly press it to select the different frequency automatically.
- ⑫ ⏪/⏩ button
During radio mode, press it to select the stations; during playback mode, press it to select tracks; during IPOD mode press it to select the previous or next 5 tracks.
- ⑬ ▲ EJECT button
Press it to eject the disc.
- ⑭ LOC button
During radio mode, press it to select the distant or local station.
- ⑮ LOUD(loudness)button
Briefly press it to activate LOUD function.
- ⑯ Disc Loading Slot
- ⑰ A/V In
- ⑱ MUT button
Press it to switch the audio between mobile phone and main unit.
- ⑲ SD Card Socket

Tracks Selector

Press **22** ▲ to select the previous track, press ▼ to select the next one, then press ENTER to play.

Press **22** ◀ to select the previous 5 tracks, press ▶ to select the next 5 tracks, then press ENTER to play.

Press **2** GOTO to display : ---, input the numbers to play the desired track.

▣ Note:

* Press **12** button on the head unit also performs the same function.

Back to Root Directory

During IPOD mode, press **4** Root to go back to the root directory.

Back to the Previous Directory

During IPOD mode, press **5** } to go back to the previous directory.

Video or Picture Mode

During IPOD mode, press **6** Video to select video or audio. Video and picture can be played at this time.
The unit and the remote control can not be operated in this mode, you can just operate IPOD to select video and picture.

▣ Note:

* This function is operated by using remote control only.

* The IPOD TV should be set ON in this function.

Exit IPOD

During IPOD mode, to take IPOD out, the main unit will switch to radio mode.
During other mode, to take IPOD out, the main unit will keep the original mode.

IPOD play

During IPOD playback, connect the IPOD wire(5V) to the one in backside of main unit. The unit will play track in IPOD.

Playing the Previous/Next Track

During IPOD playback, press **9** **⏮** to play the previous track, press **9** **⏭** to play the next track.

Note:

* This function is operated by using the remote control only.

Playing Track F.F/F.REW

Press **20** **⏩** or **⏪** to play the track fast forward or fast rewind. Press it again or press ENTER to resume to play normally.

Note:

* This function is operated by using the remote control only.

Repeat Playing

During playback, press **16** **RPT** to track repeat, disc repeat, off. Press it again to cancel this function.

Note:

* Pressing **AMS** on the head unit also performs the same function.

Playing Tracks in Random Order

During IPOD playback, when pressing **17** **RDM** button, *Shuffle off*, *Shuffle Track*, *Shuffle Album* will be activated.

Note:

* This function is operated by using the remote control only.

Pause the Playback

During playback, press **18** **||** button to pause the playback, Press it again to return to normal playback.

Note:

* Pressing **8** on the head unit also performs the same function.

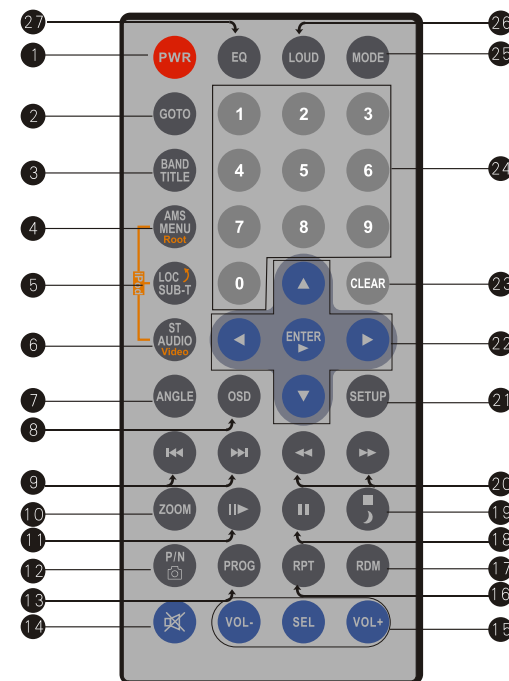
On-screen display

During IPOD playback, hold and press **8** **OSD** button to display the current source information.

Note:

* This function is operated by using the remote control.

Card Remote Control



Tips:

For more information as to replacing battery, please refer to [Replacing the Battery](#) on page 6.

- ❶ PWR (turn on/off) button
- ❷ GOTO(time,track) button
- ❸ BAND/TITLE (band selection/ title menu) button
- ❹ AMS/MENU/Root (preset stations, memory automatically/menu/back to root directory) button
- ❺ LOC/ ↵ /SUB-T (long distant or local station in radio mode/ back to last level in IPOD mode/ subtitle display) button
- ❻ ST/AUDIO/Video (stereo or mono selection/language or audio switch/ video or audio switch in IPOD) button
- ❼ ANGLE (play angle) button
- ❽ OSD (current display) button
Briefly press it to display the current information; press and hold it to display the current setup.
- ❾ ⏮/⏭ (Previous/next track) button
- ❿ ZOOM (briefly press it to zoom in or out/ hold and press it to adjust video display screen) button
- ⓫ ⏪ (slow play) button
- ⓬ [P/N]/ 📷 (system adjustment/capture) button
- ⓬ PROG (program play) button
- ⓬ 🚫 (Mute) button
- ⓬ VOL+/VOL-/SEL (volume adjust/sound characteristics setup) button
- ⓬ RPT (repeat play) button
- ⓬ RDM (play at random) button
- ⓬ ⏸ (Play/pause) button
- ⓬ ⏹ / ⏸ (Stop play/ To display mode switch) button
- ⓬ ⏮/⏭ (F.REW/F.F) button
- ⓬ SETUP (setup) button
- ⓬ ⏪/⏩/⏴/ENTER(Left/Right/Up/Down ENTER)
- ⓬ CLEAR (clear)button
- ⓬ 0~9 (number) button
- ⓬ MODE (mode switch) button
- ⓬ LOUD(loudness) button
- ⓬ EQ (equalizer) button

To Capture Picture

During MP3/USB/SD mode, when to scan the picture, hold and press ❷ [P/N]/ 📷 button to capture the current picture, and set it to wallpaper

Note:

* This function is operated by using remote control only.

Exit an USB

During USB mode, the main unit would switch to TUNER mode directly when exit the USB.

During other modes, the main unit will keep the previous mode when exit the USB.

Note:

* Please fill the rubber installs after exiting USB .

Exit a SD Card

Push SD card to exit it.

During SD mode, the main unit would switch to TUNER mode directly when exit the SD.

During other modes, the main unit will keep the previous mode when exit the SD.

Number Buttons

During playback, you can select any track directly by using **24** **Number Buttons** (0~9). The selected track will be played automatically.

Note:

* This function is operated by using remote control only.

Setting the Playback Time

During CD playback, first press **2** **GOTO**, and TFT shows : *disc go to:--:--*. Press your desired time of the playback by using number buttons. Secondly press **GOTO** button, *track go to:--:--* appears on TFT, also input your desired numbers to play the current time of your selection.

During VCD mode, press **2** **GOTO** button to set the playing time, when the TFT display : *track/disc time/track time/repeat/time disp.* Press **22** [▲] [▼] to select the options, press **ENTER** to set the status. Then press **24** **NUMBER BUTTONS** or **22** [▶] [◀] to set the current status.

During MP3/USB/SD mode, press **2** **GOTO** first to display : *---/all track*, input the numbers to play the desired track. Press **2** second : *--:--* to adjust the playing time.

During MPEG-4 mode, press **GOTO** first to display : *select:---*, input the numbers to play the desired track. Press **GOTO** secondly : *time:--:--* to adjust the playing time.

Note:

* This function is operated by using remote control only.

MO/ST Selector

During VCD playing, repeatedly press **6** **AUDIO** button to select the mode as bellow:

Mono left → Mono right → Stereo

Note:

* This function is operated by using the remote control.

Program Playing

During VCD/CD mode, press **15** **PROG**, the TFT displays the program menu. Pressing **NUMBER BUTTONS** to select the track Number and then press **22** to move the cursor to **START**, press **ENTER** to start program playing; move the cursor to **EXIT** and press **ENTER** to exit the program playing. Move the cursor to **◀◀** and press **ENTER** to the previous page; move the cursor to **▶▶** and press **ENTER** to the next page. During this process, press **19** **;** or **PROG** to cancel the program playing.

Note:

* The function is only valid on remote control.

Playing PBC (Menu)

During VCD status, first pressing **3** **TITLE**, PBC playback starts and **the menu of entire disc** appears on the monitor. And then you can select your favorite track by using **24** **Number Buttons**. When a track is playing, you can press **4** **MENU** button to return to the menu if you would like to end the track and select others. To cancel PBC playing, press **3** **TITLE** button again.

Note:

* This function is operated by using the remote control.
* **PBC** playing confirms to version 2.0 of SVCD/VCD disc only.

Specifications

General

Power Requirement	14.4V DC (11-16V allowable)
Load Impedance	4Ω
Max.Power Output	80W X 4
Tone Controls	±10dB Bass 100Hz Treble 10KHz
Dimensions	Approx.192 x 178 x50 mm (d/w/h)
Mounting Dimensions	Approx.169 X 182X53 mm (d/w/h)
Weight	Approx.1.75kg

FM Tuner Section

Tuning Range (Optional)	87.5-108(MHz) (Europe) 87.5-107.9(MHz) (U.S.A.) 65-74(MHz) (Russia)
IF Range	10.7MHz
Usable Sensitivity (-30dB)	10dBuV
Signal-to-noise Ratio	60dB
Stereo Separation	30dB (1KHz)
Frequency Response	30-15000Hz

AM Tuner Section

Frequency Range (Optional)	522-1620(KHz) (Europe/Russia) 530-1710 (KHz) (U.S.A.)
IF Range	450KHz
Usable Sensitivity (-20dB)	35dBuV

CD Player Section

VCD Signal System	PAL/NTSC
Signal-to-noise Ratio	60dB
Separation	55dB(1KHz)
Distortion	0.1%

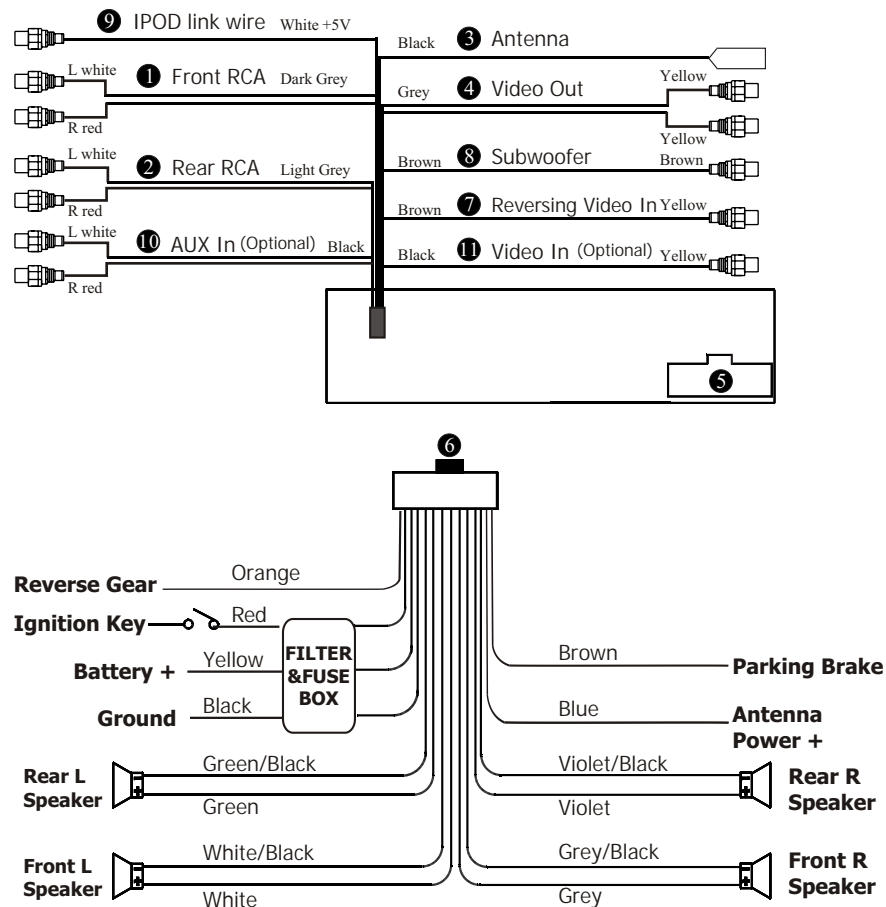
DVD Player Section

Number of channel	2 channels
Frequency Response	5Hz to 20,000Hz
Dynamic Range	98dB
Signal-to-Noise Ratio	60dB
Wow and Flutter	Less than measurable limit

Note:

Due to continuous product improvement, specifications and design are subject to change without prior notice.

Wiring Connection



- | | |
|--------------------------|-----------------------|
| ① Front RCA | ⑦ Reversing Video In |
| ② Rear RCA | ⑧ Subwoofer |
| ③ Antenna | ⑨ IPOD link wire |
| ④ Video Out | ⑩ AUX In (Optional) |
| ⑤ Output Plug (Male) | ⑪ Video In (Optional) |
| ⑥ Output Socket (Female) | |

Pause the Playback

During playback, press **⏸** button to pause the playback, Press it again to return to normal playback.

Note:

- * Briefly press **⏸** button on the head unit also performs the same function.

Changing audio language (Multi-audio)

MPEG-4 can provide audio playback with different language. With discs featuring multi-audio recordings, repeatedly press **⏮** **AUDIO** to switch between language and audio systems during playback.

Selection options switch as follows:

AUDIO 1 — **AUDIO 2** — **AUDIO 3.....**

Note:

- * This function is operated by using the remote control.
- * This function only operates with MPEG-4 featuring multi-audio recordings.
- * The number in the “⏮” mark on a MPEG-4 package indicates the number of recorded languages/audio systems.

File Selector

During MP3/MPEG-4/USB/SD stop mode, press **⏮** to select file or file document. Press ENTER to open it.

Note:

- * This function is operated by using the remote control.

Eject a Disc

First press **⏮**, then press **⏏** button to eject a disc.

Notes:

- * This function can only be operated by the head unit.

Slow motion playback

During VCD mode, press **⏮** to slow forward or slow backward. There are such speeds each pressing decreases the speed until the minimum speed is reached.

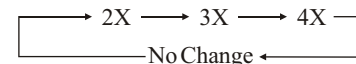


Note:

- * This function is operated by using the remote control.

Picture Sizes

During VCD/MPEG-4 mode, press **⏮** **ZOOM** to increase the picture in size. There are such sizes as following:

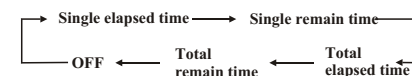


Note:

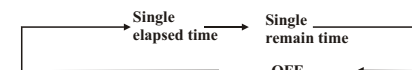
- * This function is operated by using the remote control.
- * To perform this function with the **⏮** button.

On-screen display

During VCD/CD playback, briefly press **⏮** **OSD**, the monitor shows:



During MPGE-4 playback, briefly press **⏮** **OSD**, the monitor shows:



Press and hold this button to display the current source information.

Note:

- * This function is operated by using the remote control.

Playing Discs/USB/SD

While playing discs, just insert a disc (with labeled side up) into the **(Disc Loading Slot)** (Shown as picture), the mechanism will automatically switch on. If a disc is loaded, briefly press **MODE** button to start the playing.

When playing USB, first unstop the rubber plug, then insert USB in USB socket, the mechanism will automatically play.

When playing SD Card, first press **REL** to release the front panel, then insert a SD card into the slot, the programs in the card will be played.

Note:

- * Pressing **MOD** on the head unit also performs the same function.

Playing the Previous/Next Track

During MP3/USB/MPEG-4/SD playback, press **◀** to play the previous track, press **▶** to play the next track.

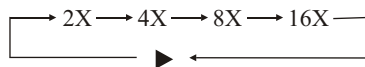
During VCD/CD playback, first press **◀** to return to the beginning of the current track, press **◀** again within 3 seconds to play previous track, press **▶** to play next track.

Note:

- * Briefly press **Ⓜ** button on the head unit also performs the same function.

Playing Track F.F/F.REW

Press **⏩** or **⏪** to play the track fast forward or fast rewind: Each pressing, will change as following:

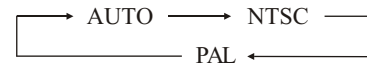


Note:

- * Press and hold **Ⓜ** button on the head unit also performs the same function.

System Button

During VCD playback, press **P/N** button to select standard TV system as following:



Note:

- * This function can be operated by selecting the DVD MENU SETUP.

Repeat Playing

During playback, press **RPT** to replay the current track. Press it again to cancel this function.

Note:

- * Pressing **AMS** on the head unit also performs the same function.
- * The default setting is Disc Repeat.

Playing Tracks in Random Order

During VCD/CD/MP3/MPEG-4/SD playback, when press **RDM** button, the unit plays any track at random under the directory which you select. Press **RDM** again to return to normally play.

Note:

- * This function is operated by using the remote control only.

Stop the playback

During MP3/MPEG-4/USB/SD mode, press **⏹** to stop playing, press it again to return to the beginning of the current track.

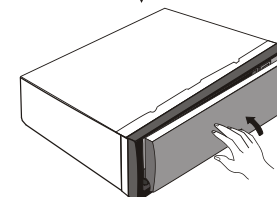
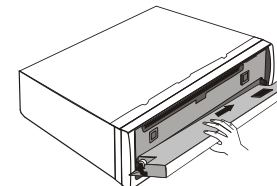
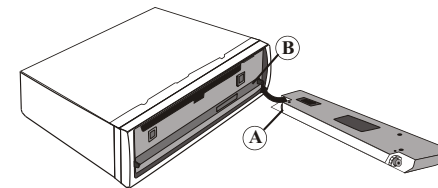
During VCD/CD mode, first pressing **⏹** to pause playing, press **⏹** button twice to stop playing completely, press **PLAY** button to start playing.

Note:

- * Press and hold **⏹** button on the head unit also performs the same function.

Install the Front Panel

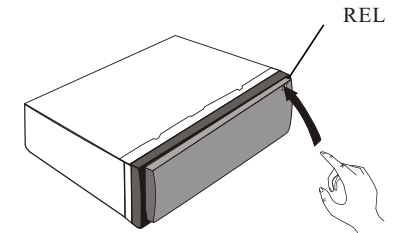
Put notch **A** (Shown as picture) onto shaft **B**. And then slightly press into the right side.



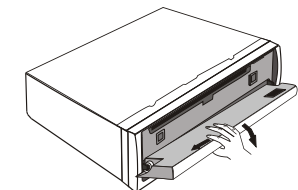
Note:

- * Never put any objects into the front panel.

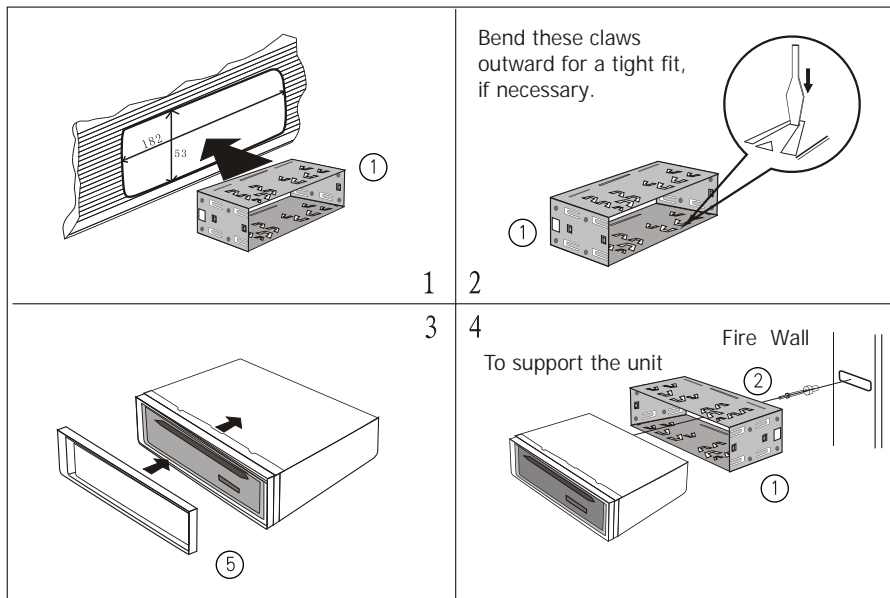
Press **REL** button in the upper right corner, and then the front panel will be folded down.



When the front panel was turned down to a position of 45°, hold and slide the front panel to left, and then pull it out.



Installation Method ① : DIN Front-Mount



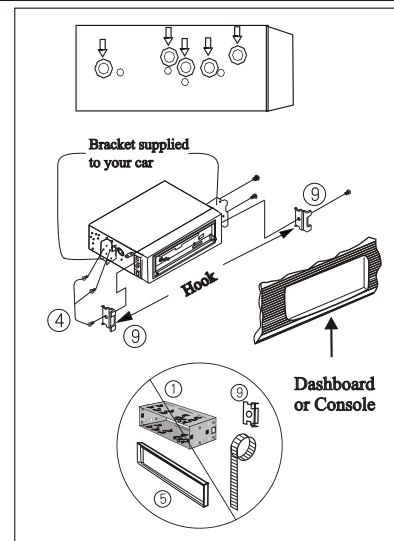
Installation Method ②

Installation using the screw holes at the sides of the unit.

1. Remove the hooks on both sides.
2. Select a position where the screw holes of the mounting bracket supplied with the car and the screw holes of the main unit become aligned (are fitted), and tighten the screws (see ④) at 2 places on each side. And then fasten them to the car.

▣ **NOTE:**

* Outer Trim Frame ⑤ Hook ⑨ and Mounting Sleeve ① are not used for installation method ②



---Preferences page---

Default Example showing how to set load factory setting:

(Press ▲ or ▼)

(Press ▶ , ▲ or ▼ , then press ENTER)

--Preference Page--	
TV Type	Auto
Audio	Eng
Subtitle	Eng
Disc Menu	Eng
Parental	
Password	
Default	

Go To Preference Page

➔

--Preference Page--	
TV Type	Auto
Audio	Eng
Subtitle	Eng
Disc Menu	Eng
Parental	
Password	
Default	Reset

Load Factory Setting

---Preferences page---

Disc Menu

Example showing how to set Disc Menu Language:

(Press ▲ or ▼)

--Preference Page--

TV Type	Auto
Audio	Eng
Subtitle	Eng
Disc Menu	Eng
Parental	
Password	
Default	

Go To Preference Page



(Press ►, ▲ or ▼, then press ENTER)

--Preference Page--

TV Type	Auto	English
Audio	Eng	French
Subtitle	Eng	Spanish
Disc Menu	Eng	Chinese
Parental		Japanese
Password		Korean
Default		Russian
		Others

Preferred Menu Language

Parental

Example showing how to set parental control:

(Press ▲ or ▼)

--Preference Page--

TV Type	Auto
Audio	Eng
Subtitle	Eng
Disc Menu	Eng
Parental	
Password	
Default	

Go To Preference Page



(Press ►, ▲ or ▼, then press ENTER)

--Preference Page--

TV Type	Auto	2	G	▲
Audio	Eng	3	PG	
Subtitle	Eng	4	PG 13	
Disc Menu	Eng	5	PGR	
Parental		6	R	
Password		7	NC 17	
Default		8	Adult	
			Off	

Set Parental Control

Password

Example showing how to set password, and the default password is 8888.

(Press ▲ or ▼)

--Preference Page--

TV Type	Auto
Audio	Eng
Subtitle	Eng
Disc Menu	Eng
Parental	
Password	
Default	

Go To Preference Page



(Press ►, ▲ or ▼, then press ENTER)

--Preference Page--

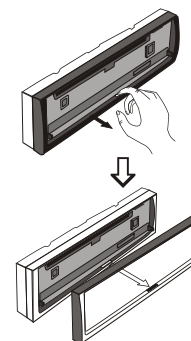
TV Type	Auto
Audio	Eng
Subtitle	Eng
Disc Menu	Eng
Parental	
Password	Change
Default	

Change Password

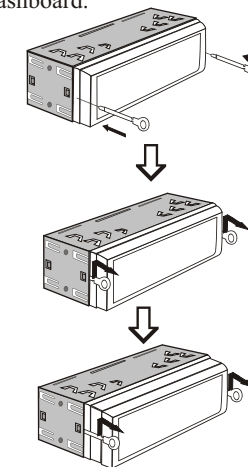
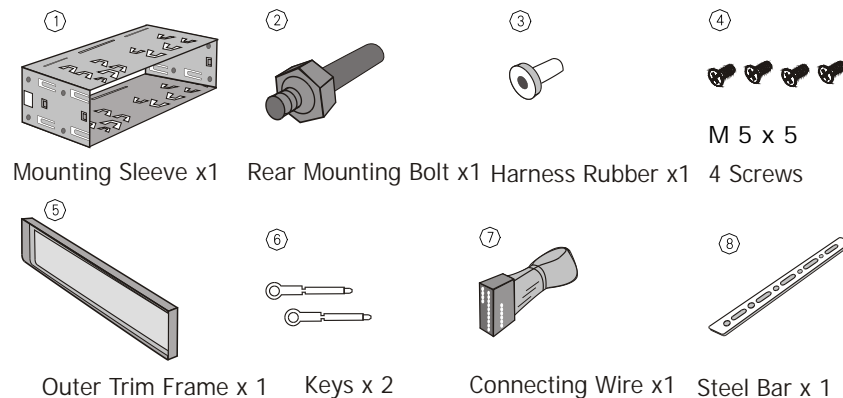
Detach the Unit

Detach the front panel before disassembling the unit. For more details regarding this section, refer to “**Detach the Front Panel**” .

1. Take out the Outer Trim Frame after detaching the front panel.



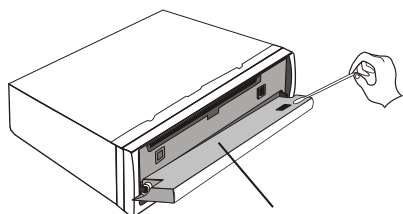
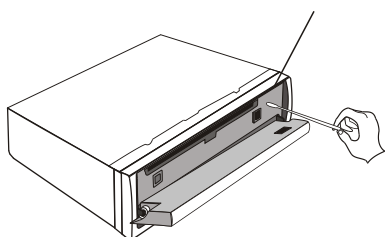
2. Insert the keys supplied to the unit at both sides of the unit (shown as illustrated) until they click. Pulling the keys makes it possible to remove the unit from the dashboard.

**Main Parts List**

Cleaning the Connector

If the connector between the main unit and the front panel is dirty, it may result in unit's abnormal working condition. To avoid such problems happening, please detach the front panel, and clean the connector with an alcohol swab. Gently clean and avoid damaging the connector.

The main unit



The backside of the front panel

Notes:

* For safekeeping, always shut down the generator and take out the key from the ignition before cleaning.

Never keep your finger or any metal device touch the connector directly.

---Preference page---

TV Type Example showing how to set TV type:

(Press ▲ or ▼)

--Preference Page--	
TV Type	Auto
Audio	Eng
Subtitle	Eng
Disc Menu	Eng
Parental	
Password	
Default	

Go To Preference Page

⇒

(Press ►, ▲ or ▼, then press ENTER)

--Preference Page--		
TV Type	Auto	PAL
Audio	Eng	Auto
Subtitle	Eng	NTSC
Disc Menu	Eng	
Parental		
Password		
Default		

Set TV Standard

Audio Example showing how to set Audio language:

(Press ▲ or ▼)

--Preference Page--	
TV Type	Auto
Audio	Eng
Subtitle	Eng
Disc Menu	Eng
Parental	
Password	
Default	

Go To Preference Page

⇒

(Press ►, ▲ or ▼, then press ENTER)

--Preference Page--		
TV Type	Auto	English
Audio	Eng	French
Subtitle	Eng	Spanish
Disc Menu	Eng	Chinese
Parental		Japanese
Password		Korean
Default		Russian
		Others

Preferred Audio Language

Subtitle Example showing how to set subtitle language:

(Press ▲ or ▼)

--Preference Page--	
TV Type	Auto
Audio	Eng
Subtitle	Eng
Disc Menu	Eng
Parental	
Password	
Default	

Go To Preference Page

⇒

(Press ►, ▲ or ▼, then press ENTER)

--Preference Page--		
TV Type	Auto	English
Audio	Eng	French
Subtitle	Eng	Spanish
Disc Menu	Eng	Chinese
Parental		Japanese
Password		Korean
Default		Russian
		Others

Preferred subtitle Language

--Dolby Digital Setup--

Dual Mono Example showing how to set stereo mode:

(Press ▲ or ▼)

--Dolby Digital Setup--

Dual Mono
Dynamic

Go To Dolby Digital Setup

⇒

(Press ►, ▲ or ▼, then press ENTER)

--Dolby Digital Setup--

Dual Mono	Stereo
Dynamic	L-Mono
	R-Mono
	Mix-Mono

Dual Mono (1+1) Setup

Dynamic Example showing how to set dynamic range compression:

(Press ▲ or ▼)

--Dolby Digital Setup--

Dual Mono
Dynamic

Go To Dolby Digital Setup

⇒

(Press ►, ▲ or ▼, then press ENTER)

--Dolby Digital Setup--

Dual Mono
Dynamic

Set DRC off

---FULL
---3/4
---1/2
---1/4
---OFF

Reset the Unit

Operating the unit for the first time or after replacing the car battery, you must reset the unit.

Release the front panel at first, and then Press **⑩ RESET** button on the base with a pointed object, (such as a ballpoint pen) to set the unit to initial status.

▣ Note:

- * When some errors occur on the display, you can also press **RESET** button to resume to normal, and it will erase the clock setting and some memorized functions.
- * This function can only be operated by the head unit.

Turning the Unit On/Off

Press **① PWR** button to turn on the unit, press it again, the unit is still in the waiting status. When insert a disc, the unit will automatically start playing. Keep pressing it to turn off the unit completely.

▣ Note:

- * During waiting status, briefly press **PWR** on the head unit to turn on the unit, press and hold it to turn off the unit.

Volume Control

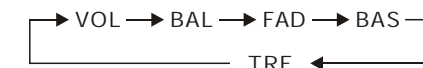
Press **⑮ VOL+** button to increase the sound level and press **⑮ VOL-** button to decrease the sound level.

▣ Note:

- * Rotating **VOL** on the head unit also performs the same function.

Setting the Sound Characteristics

Repeated pressing **⑮ SEL** button to select the desired mode in the following order:



- 1 After selecting the desired mode, you can adjust the current level by pressing **⑮ VOL** buttons.
- 2 If you don't adjust **⑮ VOL** buttons within 3 seconds after selecting the desired mode, the unit will automatically return to the current mode being displayed.

▣ Note:

- * Pressing **SEL** and rotating **VOL** button on the head unit or set **AUDIO SETUP** in **MAIN MENU** also performs the same function.

EQ Setting

While listening to the popular music, classic music or rock music, you can select the corresponding preset modes to adjust the sound quality perfectly by using **⑳ EQ** button. Repeatedly pressing **⑳ EQ** button to choose the following modes in turn:

**▣ Note:**

- * Press and hold **EQ** on the head unit also performs the same function.

Turning Loudness On/Off

Without bluetooth, briefly press **LOUD** on the remote control to activate LOUD function. You can press this button to increase the low frequency improve sensitivity for your ears. And “**LOUD ON**” appears. Press it again to shut down this function, and “**LOUD OFF**” appears.

Note:

* Without bluetooth, briefly press LOUD on the head unit or set **LOUDNESS** in MAIN MENU also performs the same function.

Mute Function

Press **MUTE** button to shut off the sound output and **MUTE** appears. Press it again to resume to previous volume level.

Note:

* Press MUT on the head unit performs the same function.

CLEAR

Press **CLEAR** to clear the mistake input.

Note:

* This function is operated by using the remote control only.

Force Disc Out

During playback, when a disc was locked or can not eject, press MODE on the head unit to switch to the radio mode then hold and press the **▲** button 3 seconds, that disc can be forced out.

Night Mode

Hold and press **NIGHT** button to enter the night mode, press it again to switch to the normal mode. During night mode, to turn off the blue screen and weaken the button light.

Note:

* This function is operated by using the remote control only.

Mode Selector

Press **MODE** button to select the different modes available.

Note:

* Briefly press MOD on the head unit also performs the same function.

Display Mode

During video playback, press and hold **ZOOM** button to select 4:3 display mode, press and hold it again to display the previous one.

Note:

* To set this function by **WIDE** in MAIN MENU.

Infrared Sensor:

Receptor **IR** on the head unit for the card remote commander.

A/V In

You can input the audio or video frequency into the main unit to increase the volume through A/V In.

Release the front panel

Press **REL** to release the front panel.

Note:

* This function is operated by the head unit only.

--General Setup Page--

Captions Example showing how to set captions on/off:

(Press **▲** or **▼**)

--General Setup Page--	
TV Display	Wide
Angle Mark	On
OSD Lang	Eng
Captions	Off
Screen Saver	On
Logo Type	Def

Go To General Setup Page

⇒

(Press **▶**, **▲** or **▼**, then press ENTER)

--General Setup Page--	
TV Display	Wide
Angle Mark	On
OSD Lang	Eng
Captions	Off
Screen Saver	On
Logo Type	Def

On
Off

Closed Captions

Screen Saver Example showing how to set Screen Saver on/off:

(Press **▲** or **▼**)

--General Setup Page--	
TV Display	Wide
Angle Mark	On
OSD Lang	Eng
Captions	Off
Screen Saver	On
Logo Type	Def

Go To General Setup Page

⇒

(Press **▶**, **▲** or **▼**, then press ENTER)

--General Setup Page--	
TV Display	Wide
Angle Mark	On
OSD Lang	Eng
Captions	Off
Screen Saver	On
Logo Type	Def

On
Off

Screen Saver

Logo Type Example showing how to set Logo Type:

(Press **▲** or **▼**)

--General Setup Page--	
TV Display	Wide
Angle Mark	On
OSD Lang	Eng
Captions	Off
Screen Saver	On
Logo Type	Def

Go To General Setup Page

⇒

(Press **▶**, **▲** or **▼**, then press ENTER)

--General Setup Page--	
TV Display	Wide
Angle Mark	On
OSD Lang	Eng
Captions	Off
Screen Saver	On
Logo Type	Def

Default
Captured

Logo Type

--General Setup Page--**TV Display**

Example showing how to set TV Display mode:

(Press ▲ or ▼)

--General Setup Page--

TV Display	Wide
Angle Mark	On
OSD Lang	Eng
Captions	Off
Screen Saver	On
Logo Type	Def

Go To General Setup Page



(Press ►, ▲ or ▼, then press ENTER)

--General Setup Page--

TV Display	Wide	Normal/PS
Angle Mark	On	Normal/LB
OSD Lang	Eng	Wide
Captions	Off	
Screen Saver	On	
Logo Type	Def	

Set TV Display mode

Angle Mark

Example showing how to set picture mode:

(Press ▲ or ▼)

--General Setup Page--

TV Display	Wide
Angle Mark	On
OSD Lang	Eng
Captions	Off
Screen Saver	On
Logo Type	Def

Go To General Setup Page



(Press ►, ▲ or ▼, then press ENTER)

--General Setup Page--

TV Display	Wide	
Angle Mark	On	On
OSD Lang	Eng	Off
Captions	Off	
Screen Saver	On	
Logo Type	Def	

Set Angle Mark

OSD Lang

Example showing how to set language mode:

(Press ▲ or ▼)

--General Setup Page--

TV Display	Wide
Angle Mark	On
OSD Lang	Eng
Captions	Off
Screen Saver	On
Logo Type	Def

Go To General Setup Page



(Press ►, ▲ or ▼, then press ENTER)

--General Setup Page--

TV Display	Wide	
Angle Mark	On	
OSD Lang	Eng	English
Captions	Off	
Screen Saver	On	
Logo Type	Def	

Set OSD Language

Set up Main Menu

Press and hold **SETUP** on the remote control or **MENU** on the head unit, the setting picture appears as follow:

MAIN MENU	
AUDIO	
VIDEO	
SOURCE SEL	
PREFERENCE	
EXIT	

The main menu includes 5 selections above, press ▲ or ▼ button to select the requisite item, then hit **ENTER** to set it; press ▲ or ▼ button to reach **EXIT**, press **ENTER** to exit setting.

Note:

- * Buttons of [▲] [▼] [►] [◄]/ENTER are on the remote control.
- * Rotate and press VOL button on the head unit performs the same function.

1.Audio Adjust

After Selecting **AUDIO**, press **ENTER** to enter the setting system:

AUDIO SETUP	
BALANCE	00
FAD	00
BASS	00
TREBLE	00
EQUALIZER	FLAT
LOUDNESS	OFF
BACK	

You can adjust **BALANCE**, **FAD**, **BASS**, **TREBLE**, **EQUALIZER**, **LOUDNESS**, press [◄] or **BACK** then press **ENTER** to go back to the previous menu. For example, press [▲] [▼] to select **BASS**, the setting menu will appear as follow:



AUDIO SETUP	
BALANCE	00
FAD	00
BASS	00
TREBLE	00
EQUALIZER	FLAT
LOUDNESS	OFF
BACK	

Press [▲] [▼] to increase or decrease the size, and then press **ENTER**. Press [◄] to go back to the previous menu.

Note:

- * Adjusting the other items perform the same operation.

EQUALIZER

Press [▲] or [▼] to select EQUALIZER, then press ENTER, the setting menu appears as follow:

AUDIO SETUP	
BALANCE	00
FAD	00
BASS	00
TREBLE	00
EQUALIZER	FLAT
LOUDNESS	OFF
BACK	

Press [▲] [▼] to select your desired item, then press ENTER, press ◀ to go back to the previous menu.

LOUDNESS

Press [▲] or [▼] to select LOUDNESS, then press ENTER, the setting menu appears as follow:

AUDIO SETUP	
BALANCE	00
FAD	00
BASS	00
TREBLE	00
EQUALIZER	FLAT
LOUDNESS	OFF
BACK	

Press [▲] [▼] to select your desired item, then press ENTER, press ◀ to go back to the previous menu.

2.Video Adjust

Selecting VIDEO in main menu, press ENTER to enter setting system.

VIDEO SETUP	
BRIGHT	30
CONTRAST	30
COLOR	30
HUE	30
WIDE	WIDE
DEFAULT	STANDARD
BACK	

The main menu includes items above. Press ◀ or BACK and then press ENTER to go back to the previous menu.

Image Adjust

Adjusting the CONTRAST : press [▲] or [▼] to select CONTRAST, then press ENTER, the setting menu appears as follow:

VIDEO SETUP	
BRIGHT	30
CONTRAST	30
COLOR	30
HUE	30
WIDE	WIDE
DEFAULT	STANDARD
BACK	

Press [▲] [▼] to increase or decrease the size, and then press ENTER. Press [◀] to go back to the previous menu. Adjusting the other items perform the same operation.

Changing audio language (Multi-audio)

DVDs can provide audio playback with different language. With DVDs featuring multi-audio recordings, you can press 6 **AUDIO** to switch between language and audio systems during playback.

Selection options switch as follows:

AUDIO 1 — **AUDIO 2** — **AUDIO 3.....**

Note:

- * This function is operated by using the remote control.
- * This function only operates with DVDs featuring multi-audio recordings.
- * The number in the “(6)” mark on a DVD's package indicates the number of recorded languages/audio systems.

Changing the subtitle language (Multi-subtitle)

With DVDs featuring multi-subtitle recordings. You can press 5 **SUB-T** to switch between subtitle languages during playback.

Selection options switch as follows:

Subtitles 1 — **Subtitles 2** — — **Subtitles OFF**

Note:

- * This function is operated by using the remote control.
- * This function only operates with DVDs featuring multi-subtitle recordings.
- * The number in the “(5)” mark on a DVD's package indicates the number of recorded subtitle languages.

Selecting Different Menu/Title

Under DVD playback mode, press 4 MENU or 3 TITLE to return to the root menu or the title menu, the monitor display all the chapters or all titles. You can press 22 and 24 **Number Buttons** on the remote control to select different chapter or title.

Note:

- * This function is operated by using the remote control.

SET UP MENU

During DVD playback, press 21 **SETUP**, the screen will display system setting picture, the user can select some relative constant parameters. The user also can set it as needed by moving the cursor and using 22 [▲][▼][◀][▶] buttons, and then press 22 **ENTER** to execute the selecting or entering item.

Press [▲][▼][◀] to move the cursor on “X” then press **ENTER** to exit the menu setup.

Note:

- * The selections are the preferred options that will be chosen if they are available on a disc. If the disc that is inserted does not have the preferred option then the discs own preference will be used.
- * Regarding SETUP MENU, please refer to the following pages for more details.
- * Some functions varies depending on the types of models or formats of the disc.

Number Buttons

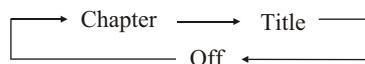
press **24** **Number Buttons** to input the desired tracks, then it will be played automatically.

Note:

- * This function is operated by using the remote control.

Repeat Playing

Repeatedly repeatedly press **16** **RPT** on the remote control to replay as following:

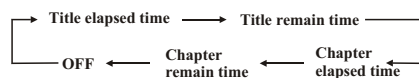


Note:

- * Press AMS on the head unit also performs the same function.
- * The default setting is **DISC REPEAT**.

On-screen display

During DVD playback, briefly press **8** **OSD**, the monitor shows:



Press and hold this button to display the current source information.

Note:

- * This function is operated by using the remote control.

Setting the Playing Time

During DVD mode, press **2** **GOTO** button to set the playing time, when the TFT display : **title/chapter/audio/subtitle/angle/title time/chapter time/repeat/time disp.** Press **2** [▲] [▼] to select the options, press **ENTER** to set the status. Then press **24** **NUMBER BUTTONS** or **2** [▶] [◀] to set the current status.

Note:

- * This function is operated by using the remote control.


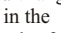
Changing the viewing angle (Multi-angle)

With DVDs featuring multi-angle (scenes shot from multiple angles) recordings, you can press **7** **ANGLE** to switch among viewing angles during playback.

Selection options switch as follows:

ANGLE 1 — ANGLE 2 — ANGLE 3

Note:

- * This function is operated by using the remote control.
- * This function is only operated by DVD with multi-angle recordings.
- * This  mark on a DVD package indicates it features multi-angles scenes, The number in the  mark indicates the number of angles from which scenes were shot.
- * If you press ANGLE during fast forward/fast reverse or pause, fast forward/fast reverse or pause is canceled and normal playback resumes but the viewing angle does not change.

WIDE

Press [▲] or [▼] to select WIDE, then press **ENTER**, the setting menu appears as follow:

VIDEO SETUP	
BRIGHT	30
CONTRAST	30
COLOR	30
HUE	30
WIDE	WIDE
DEFAULT	STANDARD
BACK	

Press [▲] [▼] to select your desired item, then press **ENTER**, press ◀ to go back to the previous menu.

Default

Adjusting the DEFAULT : press [▲] or [▼] to select DEFAULT, then press **ENTER**, the setting menu appears as follow:

VIDEO SETUP	
BRIGHT	30
CONTRAST	30
COLOR	30
HUE	30
WIDE	WIDE
DEFAULT	STANDARD
BACK	

The main menu includes selections above, after selecting any one of them, **DEFAULT** will switch to **USER**. press ▲ or ▼ button to adjust item, then press **ENTER**. Press ◀ to go back to the previous menu.

3.Source Setup

Selecting **SOURCE SEL** by pressing ▲ ▼ in main menu, press **ENTER** to enter setting system.

SOURCE SEL	
RADIO	ON
USB	ON
SD	ON
DISC	ON
IPOD	ON
AV-R	ON
AV-F	ON
BACK	

This menu can set up the above items by pressing [▲] and [▼] and **ENTER**. If you set one of them **OFF**, the function is invalid. For example, if one item set **OFF** pressing **SOURCE** button can not activate it. During playback mode, you can not set it **OFF**.

4.PREFERENCE SETUP

Select PREFERENCE, then press ENTER.

PREFERENCE	
CLOCK SYS	24 HOUR
CLOCK ADJ	00:00:00
KEY BEEP	ON
REV POLA	BATTERY
BACK	

This menu can set up the above items by pressing [▲] and [▼] and ENTER. Press ◀ or BACK, then press ENTER to go back to the previous menu.

⚙ Clock System

PREFERENCE	
CLOCK SYS	24 HOUR
CLOCK ADJ	00:00:00
KEY BEEP	ON
REV POLA	BATTERY
BACK	

Setting CLOCK SYSTEM in this menu, according to the desired setting 12 HOUR or 24 HOUR. Press [▲] and [▼] and ENTER. Press ◀ to go back to the previous menu.

⚙ Clock Adjust

PREFERENCE	
CLOCK SYS	24 HOUR
CLOCK ADJ	00:00:00
KEY BEEP	ON
REV POLA	BATTERY
BACK	

Setting CLOCK ADJ in this menu, Press [▲] and [▼] and ENTER. Press ◀ to go back to the previous menu.

⚙ KEY BEEP

PREFERENCE	
CLOCK SYS	24 HOUR
CLOCK ADJ	00:00:00
KEY BEEP	ON
REV POLA	BATTERY
BACK	

Setting KEY BEEP ON or OFF in this menu, the default setting is ON. Press [▲] and [▼] and ENTER. Press ◀ to go back to the previous menu.

⚙ REVERSE POLA

PREFERENCE	
CLOCK SYS	24 HOUR
CLOCK ADJ	00:00:00
KEY BEEP	ON
REV POLA	BATTERY
BACK	

Setting reverse pola in this menu, The signal is +12V when you back a car, please set BATTERY; if the signal is 0V, please set GROUND. Press [▲] and [▼] and ENTER. Press ◀ to go back to the previous menu.

Basic operation of DVD

Insert a DVD disc into the slot, the unit will automatically switch on, if a DVD disc is loaded, press **25 MODE** on the remote control to switch to DVD mode to start the playback.

▣ Note:

* Pressing MOD button on the head unit also performs the same function.

Playing the Previous/Next Track

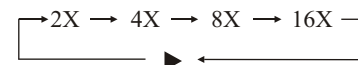
During DVD playback, first press **9** ◀ to return to the beginning of the current track, press **9** ◀ again within 3 seconds to play previous track, press **9** ▶ to play next track.

▣ Note:

* Briefly pressing **12** button on the head unit also performs the same function.

Playing Track F.F/F.REW

Press **20** ▶ or ◀ to play the track fast forward or fast rewind: Each pressing will change as following:



▣ Note:

* Press and hold **12** button on the head unit also performs the same function.

Stop the playback

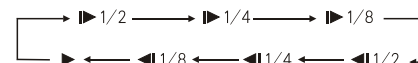
During DVD mode, first pressing **19** ⏸ to pause playing, press **18** ⏹ to play, press **19** button twice to stop playing completely, press PLAY button to start playing.

▣ Note:

* Press and hold **8** button on the head unit also performs the same function.

Slow motion playback

Press **11** ▶ to slow forward or slow backward. There are such speeds each pressing decreases the speed until the minimum speed is reached.

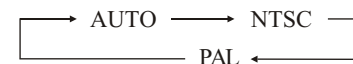


▣ Note:

* This function is operated by using the remote control only.

System Button

During DVD playback, press **12** P/N button to select standard TV system as following:

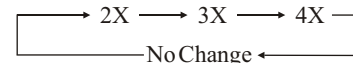


▣ Note:

* This function can be operated by selecting the DVD MENU SETUP.

Increase the size of the picture

Briefly press **10** ZOOM to increase the picture in size. There are such sizes as following:



Press and hold it to display NORMAL(4:3), WIDE(16:9).

▣ Note:

* This function is operated by using the remote control.
* To remove the image by pressing **22** button.

Pause the playback

During DVD mode, press **18** ⏹ to switch pause and play mode, during stop mode, press it again to resume to the playback mode.

▣ Note:

* Briefly press **8** button on the head unit also performs the same function.

Free Manuals Download Website

<http://myh66.com>

<http://usermanuals.us>

<http://www.somanuals.com>

<http://www.4manuals.cc>

<http://www.manual-lib.com>

<http://www.404manual.com>

<http://www.luxmanual.com>

<http://aubethermostatmanual.com>

Golf course search by state

<http://golfingnear.com>

Email search by domain

<http://emailbydomain.com>

Auto manuals search

<http://auto.somanuals.com>

TV manuals search

<http://tv.somanuals.com>