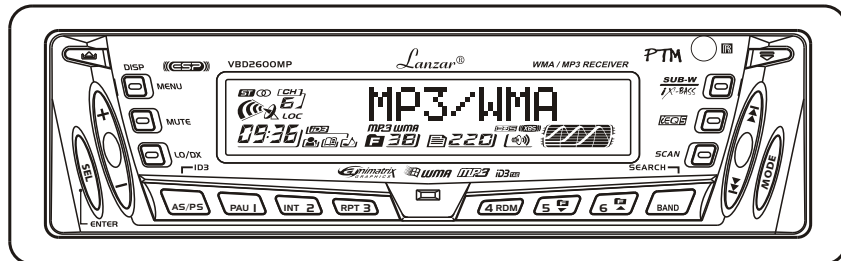


Lanzar®

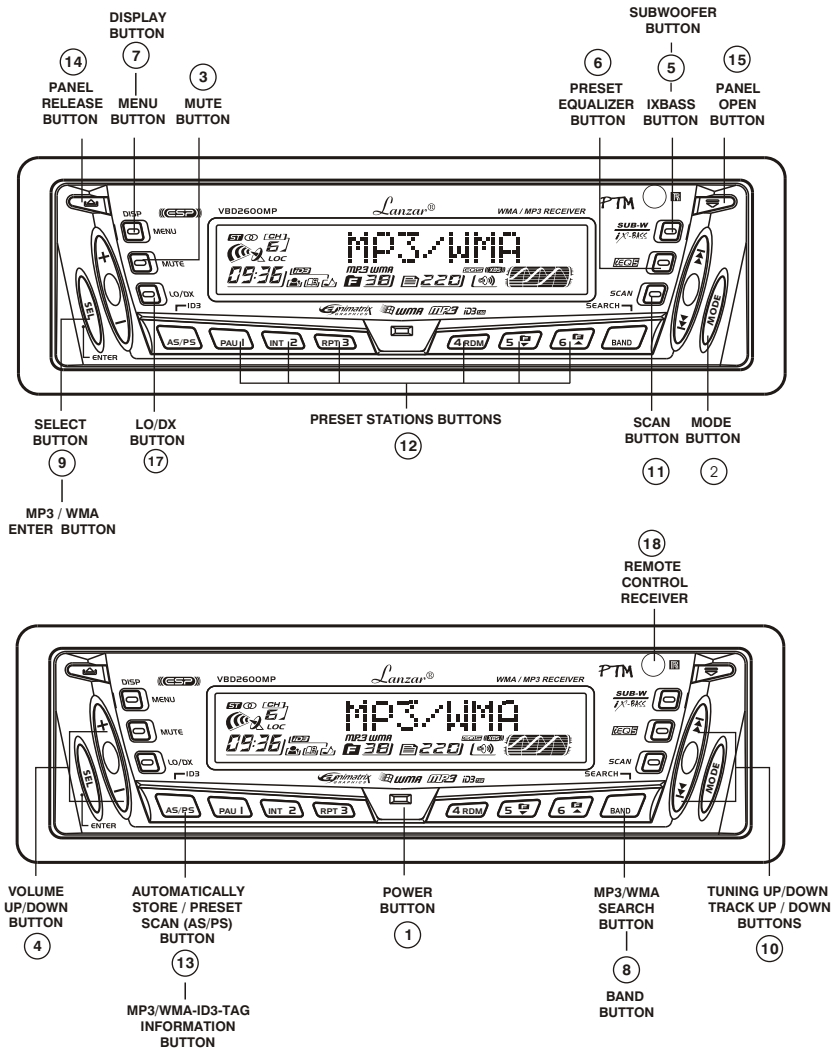
OWNER'S MANUAL

VBD2600MP



**FULL LOGIC MOTORIZED SLIDE
DOWN & FULL DETACHABLE PANEL
CAR CD / MP3 / WMA PLAYER / RECEIVER**

BUTTONS LOCATION



HANDLING COMPACT DISCS

MOISTURE CONDENSATION

On a rainy day or in a very damp area, moisture may condense on the lenses inside the unit. Should this occur, the unit will not operate properly. In such a case, remove the disc and wait for about an hour until the moisture has evaporated.

NOTES ON CDs

1. A dirty or defective disc may cause sound dropouts while playing. To enjoy optimum sound, handle the disc as follows.
Handle the disc by its edge. To keep the disc clean, do not touch the surface (P.1).



2. Do not stick paper or tape on the disc (P.2).



3. Do not expose the discs to direct sunlight or heat sources such as hot air-ducts, or leave them in a car parked in direct sunlight where there can be a considerable rise in temperature inside the car (P.3).



4. Before playing, clean the discs with an optional cleaning cloth. Wipe each disc from the centre out (P.4).



5. Do not use solvents such as benzine, thinner, commercially available cleaners, or antistatic spray intended for analog discs.

NOTES ON DISCS

If you use the discs explained below, the sticky residue can cause the CD to stop spinning and may cause malfunction or ruin your discs.

Do not use second-hand or rental CDs that have a sticky residue on the surface (for example, from peeled-off stickers or from ink, or glue leaking from under the stickers).

**There are paste residue.
Ink is sticky (P.5).**



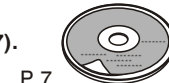
Do not use rental CDs with old labels that are beginning to peel off.

**Stickers that are beginning
to peel away, leaving a
sticky residue (P.6).**



Do not use your CDs with labels or stickers attached.

Labels are attached (P.7).



Do Not Use Special Shape CDs

Be sure to use round shape CDs only for this unit and do not use any special shape CDs. Use of special shape CDs may cause the unit to malfunction. (P.8).



Be sure to use CDs with disc mark

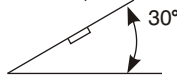


Only for this unit.

CD-Rs and CD-RWs which have not undergone finalization processing cannot be played. (For more information on finalization processing, refer to the manual for your CD-R/CD-RW writing software or CD-R/CD-RW recorder.) Additionally, depending on the recording status, it may prove impossible to play certain CDs record on CD-R or CD-RW.

1. INSTALLATION

- Before finally installing the unit, connect the wiring temporarily and make sure it is all connected up properly and the unit and system work properly.
- Use only the parts included with the unit to ensure proper installation. The use of unauthorized parts can cause malfunctions.
- Consult with your nearest dealer if installation requires the drilling of holes or other modifications of the vehicle.
- Install the unit where it does not get in the driver's way and cannot injure the passenger if there is a sudden stop, like an emergency stop.
- If installation angle exceeds 30° from horizontal, the unit might not give its optimum performance.



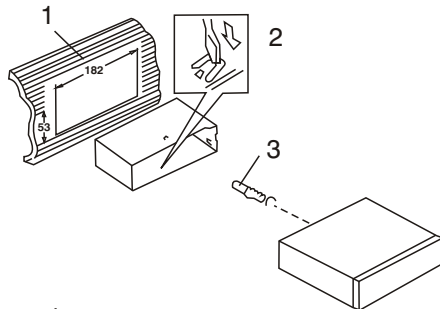
- Avoid installing the unit where it would be subject to high temperature, such as from direct sunlight, or from hot air, from heater, or where it would be subject to dust dirt or excessive vibration.
- Be sure to remove the front panel before installing the unit.

DIN FRONT/REAR-MOUNT

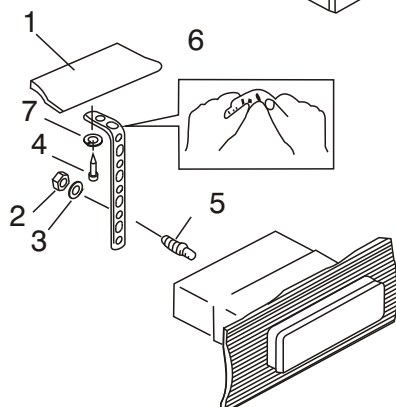
This unit can be properly installed either from "Front" (conventional DIN Front-mount) or "Rear" (DIN Rear-mount installation, utilizing threaded screw holes at the sides of the unit chassis). For details, refer to the following illustrated installation methods A and B.

DIN FRONT-MOUNT (Method A)

Installation the unit

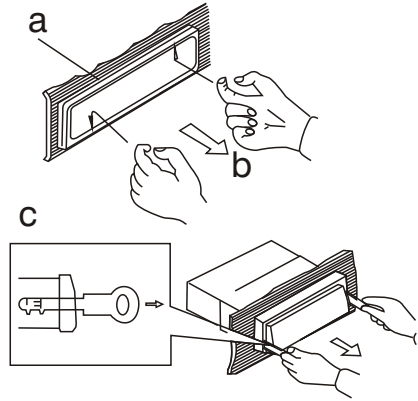


1. Dashboard
2. Holder
After inserting the half sleeve into the dashboard, select the appropriate tab according to the thickness of the dashboard material and bend them inwards to secure the holder in place.
3. Screw



1. Dashboard
2. Nut (5mm)
3. Spring washer
4. Screw (5x25mm)
5. Screw
6. Support Strap
Be sure to use the support strap to secure the back of the unit in place. The strap can be bent by hand to the desired angle.
7. Plain washer

Removing the unit



- a. Frame
- b. Insert fingers into the groove in the front of frame and pull out to remove the frame. (When re-attaching the frame, point the side with a groove down wards and attach it.)
- c. Insert the levers supplied with the unit into the grooves at both sides of the unit as shown in figure until they click. Pulling the levers makes it possible to remove the unit from the dashboard.

Trim Plate Installation:

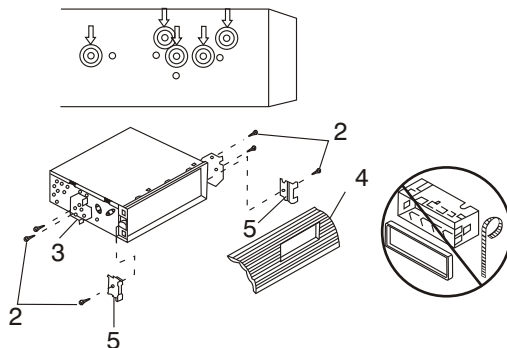
Push the trim plate against the chassis until it is fitted.

You must do this before you install the front panel, otherwise it can't be attached.

DIN REAR-MOUNT (METHOD B)

Installation using the screw holes on the sides of the unit.

Fastening the unit to the factory radio mounting bracket.



1. Select a position where the screw holes of the bracket and the screw holes of the main unit become aligned (are fitted) and tighten the screws at 2 places on each side.
2. Screw
3. Factory radio mounting bracket.
4. Dashboard or Console
5. Hook (Remove this part)

Note: the mounting box, outer trim ring, and half-sleeve are not used for method B installation.

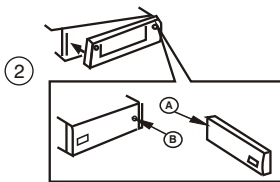
2. DETACHABLE CONTROL PANEL (D.C.P.)

Removing The Detachable Control Panel (D.C.P).



1. Turn the power off
2. Press the D.C.P. release button
3. Remove the D.C.P.

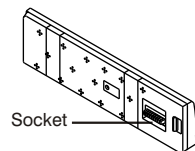
Attaching the DCP



1. Attach the panel at the right side first, with point B on the main unit touching point A on the D.C.P. (As shown on the diagram).
2. Then press the left side of D.C.P. onto the main unit until a "click" sound is heard.

CAUTION

- DO NOT insert the D.C.P. from the left side. Doing so may damage it.
- The D.C.P. can easily be damaged by shocks. After removing it, place it in a protective case and be careful not to drop it or subject it to strong shocks.
- When the release button is pressed and the D.C.P. is unlocked, the car's vibrations may cause it to fall. To prevent damage to the D.C.P, always store it in a protective case after detaching it.
- The rear connector that connects the main unit and the D.C.P. is an extremely important part. Be careful not to damage it by pressing on it with fingernails, pens, screwdrivers, etc.

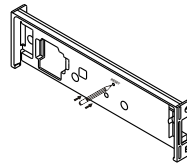


Note:

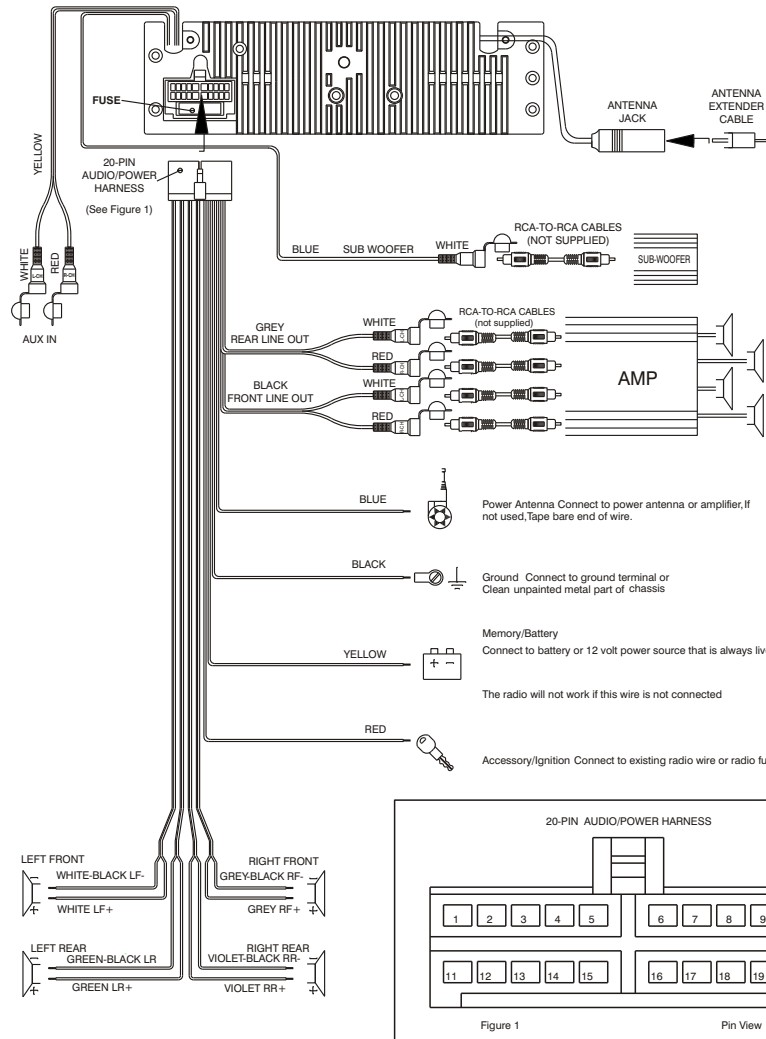
If the D.C.P. is dirty, wipe off the dirt with soft, dry cloth only. And use a cotton swab soaked in isopropyl alcohol to clean the socket on the back of the D.C.P.

RESETTING THE UNIT:

- After releasing the front panel, use a pencil or any non-metallic object to press & hold the reset button for five seconds to reset the unit.
- Long press the eject (open) button for more than 6 seconds to reset / resume the CD Deck mechanism.



3. WIRING DIAGRAM (20 PIN HARNESS PLUG)



PIN	WIRE COLOR	FUNCTION/LABEL
1	GREY/BLACK	RIGHT FRONT SPEAKER (-)
2	GREY	RIGHT FRONT SPEAKER (+)
3	VIOLET	RIGHT REAR SPEAKER (+)
4	VIOLET/BLACK	RIGHT REAR SPEAKER (-)
5		
6	GREEN	LEFT REAR SPEAKER (+)
7	GREEN/BLACK	LEFT REAR SPEAKER (-)
8	RED	IGNITION(ACC)
9	BLACK	REAR PRE-AMP LINE OUT COMMON
10	RED	RIGHT REAR PRE-AMP LINE OUT

PIN	WIRE COLOR	FUNCTION/LABEL
11	WHITE	LEFT FRONT SPEAKER (+)
12	WHITE/BLACK	LEFT FRONT SPEAKER (-)
13		
14	BLUE	POWER ANTENNA
15	YELLOW	BATTERY(+)
16	BLACK	CHASSIS GROUND
17	WHITE	LEFT FRONT PRE-AMP LINE OUT
18	RED	RIGHT FRONT PRE-AMP LINE OUT
19	BLACK	FRONT PRE-AMP LINE OUT COMMON
20	WHITE	LEFT REAR PRE-AMP LINE OUT

4.PANEL OPEN/CLOSE OPERATION **(MOTORIZED SLIDE DOWN VERSION)**

This unit is equipped with the most advanced full logic motorized slide down system. You can enjoy this advance technology with just a single press of the "OPEN" button Please read carefully the following operation instruction before operating the unit.

OPEN / CLOSE THE PANEL:

Press the Open button to slide down (open) a closed panel or to slide up (close) an opened panel.

LOADING A CD

When the panel is in the slide down position, the disc slot becomes accessible.

Insert a CD through the disc slot, the CD will be automatically loaded and the panel will also close automatically & playback will begin.

If no CD is inserted, press Open button again to slide up(close) the panel.

EJECTING A CD

Press Open button to slide down the panel, if a CD is loaded, it will be ejected automatically. No further key press is needed.

If the ejected CD is not being removed, after 10 seconds it will be reloaded automatically. And the panel will automatically slide up after disc has been reloaded.

Warning : If the ejected disc remains in the slot, the Open button will not function, so closing the panel by using Open button is prevented unless the disc is removed or reloaded.

CAUTION:

- A) Please always use the "OPEN" button to slide up/ down the front panel. **Please never try to slide up or down the front panel manually**, this will cause serious & permanent damage to the slide down mechanism, and this will void the warranty.
- B) Please do not try to detach / remove the front panel (by pressing the detach button) or attach the front panel when the panel is in the slide down position. This may cause serious & permanent damage to the unit & panel. Only attach or detach the front panel when the panel is in the slide up position.

5. BASIC OPERATIONS

14) PANEL RELEASE BUTTON (▲)

Press this button to remove the control panel.

1) POWER ON/OFF BUTTON (⏻)

Press POWER button or any other button on the front of the radio (except Open/Eject) to turn the unit on. Press POWER button again to turn the unit off.

2) MODE BUTTON (MODE)

Press MODE button to select a different mode of operation as indicated on the display panel. Available modes include Tuner, CD, MP3, WMA and Aux in .

AUX INPUT

Connect the external signal to the RCA line in jack located at the rear of the unit , then press Mode button to select Aux mode. Press Mode Button again to cancel Aux Mode and return to previous mode.

3) MUTE BUTTON (MUTE)

Press the mute button momentarily to mute the audio volume, and "Mute" will flash in the display. Press the mute button again to restore volume to the previous setting.

4) VOLUME DOWN / UP BUTTON

To increase the volume, press the volume up button. To decrease the volume, press volume down button. When volume is adjusted, the volume level will be shown on the display panel as a number ranging from 0 (lowest) to 46 (highest).

9) SEL BUTTON (SEL/ENTER)

Press the SEL button , the display will be displayed first option is Volume, followed by Bass(only if IEQ5 is currently deactivated), Treble(only if IEQ5 is currently deactivated), Balance, Fader and back to Volume. When adjusting audio functions, the unit will automatically exit audio control mode after 5 seconds of inactivity.

Subwoofer

Press IX-BASS for more than 3 seconds to activate the sub-woofer audio output to an optional subwoofer amplifier. "Subwoofer On" will appear in the display for 5 seconds, and the SUB-W icon will appear and remain in the display. Press IXBASS again for more than 3 seconds to turn the subwoofer off. "Subwoofer Off" will appear in the display for 5 seconds, and the SUB-W icon will disappear.

Press the sel button once, then use volume up/down button to adjust the Subwoofer level from 0 to 12.

If the sub-woofer is currently activated on, press sel button twice, then use the volume up/down button to adjust the Subwoofer level from 0 to 12.

Bass

Press the sel button three times, then use volume up/down button to adjust Bass from -6 to +6. "0" represents a flat response.

Treble

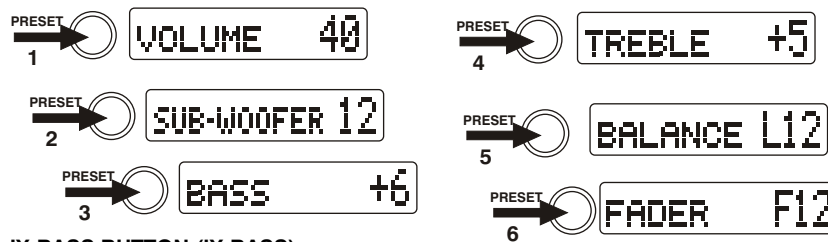
Press the sel button four times, then use volume up/down button to adjust Treble from -6 to +6. "0" represents a flat response.

Balance

Press the sel button five times, then use the volume up/ down button to adjust the balance between the right and left speakers from R12 (full right) to L12 (full left). "C00" Represents a center balance level between the right and left speakers.

Fader

Press the sel button six times, then use the volume up/ down button to adjust the fader between the front and rear speakers from R12 (full rear) to F12 (full front). "C00" Represents a center fader level between the front and rear speakers.



5) IX-BASS BUTTON (IX-BASS)

Press iX-BASS momentarily to activate the iX-BASS feature. When listening to music at low volume levels, this feature will boost the bass and treble ranges to compensate for the characteristics of human hearing. When this feature is activated, "iX-BASS On" will appear in the display momentarily. Press iX-BASS again to select "iX-BASS Off". The iX-BASS icon will appear and remain in the display when the iX-BASS feature is activated.

6) PRESET EQUALIZER BUTTON (IEQ5)

The equalizer function applies preset sound effects to the unit's audio output signal. Press EQUALIZER button to step through the following equalizer options: Off, Pop, Jazz, Classical, Beat and Rock. The equalizer options will appear in the display as they are accessed.

When the equalizer function is activated, the most recently selected bass/treble levels can not be adjusted. When the equalizer function is not active, the unit will return to the most recently Selected bass and treble levels.

7) DISPLAY (D)

Press DISPLAY/MENU momentarily to navigate through the following animation options: EQ animation, Animation Display, PTM (personal text message) and back to the default display. The selected animation will appear in the display when the unit is turned on.



Default Display



Animation 1 (Option)



EQ Animation



Animation 2 (Option)



Personal Text Message

7) MENU FUNCTION LIST (MENU)

Press DISPLAY/MENU to access the menu. "Menu" will appear in the display momentarily. Navigate the menu by pressing DISPLAY/MENU momentarily to move forward to the next option. The menu can also be navigated by using the Tuning Up or Tuning Down Button to move to the next or previous option. Once the desired option appears in the display, adjust that option by using the volume control up or down within 5 seconds. The following options are adjusted through this menu feature.

Contrast

The contrast level of the display is set at "CONTRAST 05" by default. Use the volume control To adjust the contrast level from 00 to 10.

Dimmer

The dimmer feature of the display is set to "DIMMER High" by default. Use the volume Control to turn the dimmer to the low setting.

Clock Format

This option allows selection of a 12 hour or 24 hour clock format. "CLK FORMAT 12H" is the Default setting. Use the volume control up/down button to change to the 24 hour clock format.

Time Set

The time on the clock will be set to 12:00 as the default. Program the current time by using the volume control up button to adjust the minutes and down button to adjust the hours.

AREA (TUNER FREQUENCY SPACING)

This option allows the selection of the frequency spacing appropriate for your area. "Area Europe" is the default setting. Use the volume control button to select the U.S.A, Latin America, or Oirt options.

Programmable Turn-on Volume (VOL PGM)

This option allows selection of the volume level the radio will automatically assume when first turned on. "VOL PGM 12 " is the default setting, which will turn the radio on at the volume level selected when the unit was last turned off.

To program a specific volume level for the radio to turn on at, use the volume control button to select "VOLUME LEVEL". Within 5 seconds.

Beep Tone

The beep tone feature allows the selection of an audible beep tone to be heard each time a button is pressed on the face of the radio. "BEEP TONE On" is the default setting. Use the volume up/down button to select the "BEEP TONE Off" option.

Illumination Color (COLOR)

This option allows selection between two colors for the backlight illumination of the unit. "COLOR 1" is the default color and will illuminate the unit with blue backlight. Use volume up/down button to select "COLOR 2", which will illuminate the unit with red backlight.

Selectable Clock Display (CLK ON LCD)

When the selectable clock display feature is activated, the clock and default greeting note will appear on the display when the radio is turned off but the ignition switch is still on. "CLK ON LCD On" is the default setting for this option. To select the clock and greeting not to be displayed when the unit is powered off, use volume up/down button to select "CLK ON LCD Off".

Key Illumination On/Off (KEY LIGHT)

The Key Light on/off feature controls how the front panel buttons illuminate when the unit is turned off, but the ignition switch is still use on. When the Key Light feature is activated with the unit turned off and the ignition turned on, the front panel buttons will illuminate. When the Key Light feature is deactivated with the unit turned off and the ignition switch turned on, the front panel buttons will not illuminate.

Personal Text Message

Press the MENU button repeatedly until see the "PTM" on the display, this will allow the user to input his favor greeting note on the display. The "INPUT MESSAGE" will be displayed by default. User is allowed to input max. 20 letters or symbols for the "PTM" to be displayed on the LCD.

When "PTM" is displayed on the display, Press "ENTER" button to start up the "PTM" enter process. Use the volume up/down button to input A & Z 0-9, +/- ! etc. Press "ENTER" button to confirm the first letter input. Repeat the procedure and enter the rest of the others letter input. If you want to change the inputted letters , you can press Tuning up /down button to move, the cursor backwards to change the inputted letters. If no more button pressing after 7 seconds the inputted letters will be automatically set as PTM. The previous PTM will be erased automatically once a new PTM is inputted.

Press "DISPLAY" button sequentially (Frequency -> Spectrum -> Animation 1 -> Animation 2 -> PTM). The inputted Message will scroll through the LCD continuously until a new operation of the unit has been inputted.

GREETING NOTE

There are three different greeting note displayed on LCD base on different condition.

1. When the unit is powered on, one of three greeting will display based on the time of day:
Good Morning, Good Afternoon or Good Evening.
2. When the unit is powered off but the ignition remains on, the LCD will scroll through the following messages if the selectable clock display feature is activated: "Enjoy Driving! Have a Safe Trip!"
3. When the ignition is turned off, the message "See you! Have a nice day!" will be displayed Before the unit turns off completely.

GOOD MORNING

GOOD AFTERNOON

ENJOY DRIVING !

HAVE A NICE DAY !

IGNITION OFF CLOCK RECALL

The user can recall to display the clock time by press DISPLAY button, even when ignition is off.

6. TUNER OPERATION

8) BAND BUTTON (BAND/SEARCH)

Press BAND to change between FM bands and AM(MW) bands. Each band stores up to 6 preset stations.

10) TUNING UP/DOWN BUTTON (◀▶)

Manual Tuning

Press the Up Tuning or Down Tuning button for more than 3 seconds to move the radio frequency number up or down one step.

Auto Seek Tuning

Press the Up Tuning or Down Tuning button for less than 3 seconds to move to next station automatically.

11) SCAN BUTTON(SCAN)

Press SCAN button to scan through strong stations in the current band. The radio pauses for 5 seconds at each strong station. Press SCAN button again to listen to the current station.

12) PRESET STATIONS BUTTON

Six numbered preset buttons store and recall stations for each band.

Store a Station

Select a band (if needed), then select a station. Hold a preset button for 3 seconds. The preset number will appear in the display.

Recall a Station

Select a band (if needed). Press a preset button to select the corresponding stored station.

13) AUTOMATICALLY STORE / PRESET SCAN (AS/PS)

Automatically Store

Automatically select 6 strong stations and store them in the current band. Select a band (if needed). Press AS/PS button for more than three seconds. The new stations replace stations already stored in that band.

Preset Scan

Scan stations stored in the current band. Select a band (if needed). Press AS/PS button for less than 3 seconds. The unit will pause for ten seconds at each preset station. Press AS/PS button again to stop scanning when the desired station is reached.

STEREO

The unit will automatically pick up a stereo signal, when available. When in stereo mode, the ST icon appears in the display. When no stereo signal is available, the unit will automatically revert to mono operation, and no icon will be displayed.

17) LOCAL / DISTANCE BUTTON(LO/DX)

This feature is used to designate the strength of the signals at which the radio will stop during automatic tuning. "Distance" is the default, allowing the radio to stop at a broader range of signals. To set the unit to select only strong local stations during automatic tuning, press this button until "Local" appears in the display.

7. CD PLAYER OPERATION

INSERT AND EJECT CD

Insert a CD label-side up with the unit turned on, and the disc will begin to play. Press the Eject button to stop CD play and eject the CD. The unit does not have to be turned on to eject the CD.

PAUSE BUTTON (PAU)

Press the pause button to suspend disc play. Press the pause button again to resume disc Play.

TRACK SELECT

Press the Up Tuning or Down Tuning button (⏮ ⏭) for less than one second to advance to the next track on the CD, The selected track number will appear on the display. Press and hold the Up Tuning or Down Tuning button (⏮ ⏭) for more than one second to fast forward or fast reverse through the disc. CD play starts when the button is released.

REPEAT BUTTON (RPT)

Press REPEAT BUTTON (RPT) during disc play to continuously repeat the track. Press REPEAT BUTTON (RPT) again to stop Repeating.

RANDOM BUTTON (RDM)

Press RANDOM BUTTON (RDM) during disc play to play all tracks on a CD in random, shuffled order. Press RANDOM BUTTON (RDM) again to stop random play.

INTRO SCAN BUTTON (INT)

During disc play, press INTRO SCAN BUTTON (INT) to play the first 10 seconds to each track on the disc. When the desired track is reached, press INTRO SCAN BUTTON (INT) again to end the scan and play the selected track.

CD TEXT

The unit can display the first 11 letters of Album Title, Artist Title. If the recorded information is longer than 11 letters. The rest of text will scroll from right to left on the display.

8. MP3/WMA OPERATION

MP3 and WMA (Windows Media Audio) music files are digital audio files that are compressed to allow more files on a single CD. This unit can play MP3/WMA directly from files contained on a CD-R/RW using the buttons on the receiver (or optional remote). Depending on the media type and recording method, some CD-R/RW's may be incompatible with this unit. The unit supports playback of MP3/WMA and CDDA (CDA), Mixed-Mode CDs and CD-Extra (including multisession discs), but discs on which the session has not been closed will not play.

Notes on MP3/WMA Play

This unit can play MP3 (MPEG1, 2, 2.5 Audio Layer 3). However, the MP3 recording media and accepted formats are limited. When writing MP3/WMA, pay attention to the following restrictions.

Acceptable Media

The MP3/WMA recording media acceptable to this unit are CD-ROM, CD-R and CD-RW. When using CD-RW, use full format rather than quick format to prevent malfunction.

Acceptable Medium Formats

The following formats are available for the media used in this unit. The maximum number of characters used for file name including the delimiter (".") and three-character extension are indicated in parentheses.

- ISO 9660 Level 1 (11 characters)
- ISO 9660 Level 2 (31 characters)
- Joliet (31 characters)
- Romeo (31 characters)

Up to 200 characters can be displayed in the long file name format. For a list of available characters, see the instruction manual of the writing software and the section "Entering File and Folder Names" below. The media reproducible on this unit has the following limitations:

- Maximum number of nested folders: 8
- Maximum number of files per disc: 999
- Maximum number of folders per disc: 255

MP3/WMA written in the formats other than the above may not be successfully played and their file names or folder names may not be properly displayed.

MP3/WMA Encoder and CD Writer Settings

Use the following settings when compressing audio data in MP3 data with the MP3 encoder.

- Transfer bit rate : 32- 320 kbps
- Sampling frequency : 32,44.1,48 kHz(WMA) 16,22.05,24,32,44.1, 48kHz (MP3)

When using a CD writer to record MP3/WMA up to the maximum disc capacity, disable additional writing. For recording on an empty disc up to the maximum capacity at once, check disc at once.

Entering ID3 Tag

This unit supports ID3 tag versions 1.0 and 1.1.

The unit also supports CD-TEXT encoded discs for Album, Track and Artist Title information.

Entering File and Folder Names

Names using the code list characters are the only file names and folder names that can be entered and displayed. Using any other character will cause the file and folder names to be displayed incorrectly. The unit recognizes and plays only files with the MP3/WMA extension.

Note: A file name entered with characters not on the code list may not play correctly.

Writing Files into a Medium

When a medium containing MP3/WMA data is loaded, the unit checks all data. If the medium contains many folders or non-MP3/WMA files, MP3/WMA play will be delayed, it may take time for the unit to move to the next file, and searches may not be performed smoothly. Loading such a medium may produce loud noise and cause damage to the speakers. **Do not attempt to play a medium containing a non-MP3/WMA file with the MP3/WMA extension or a medium containing non MP3/WMA files.**

Electronic Shock Protection

- 40 seconds for CDDA (CDA)
- 120 seconds for MP3 recorded at 44.1kHz, 128kbps
- 200 seconds for WMA recorded at 44.1kHz, 128kbps

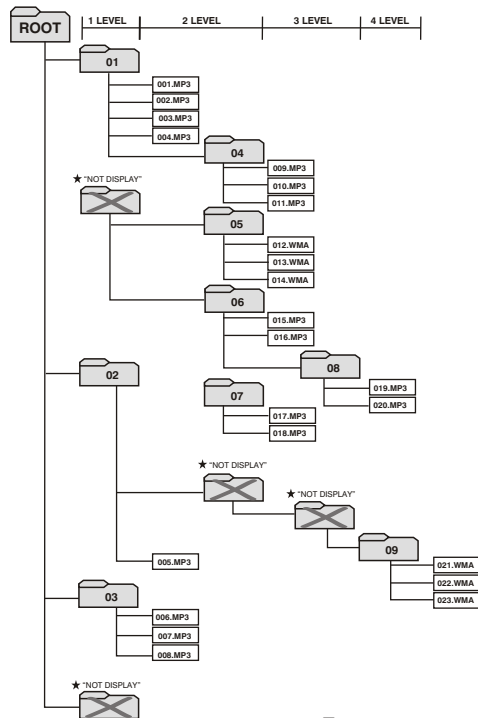
Bit Rates

The unit supports bit rates from 32 - 320 kbps.

MP3 Playing Order

When selected for play, Folder Search, File Search or Folder Select, files and folders are accessed in the order in which they were written by the CD writer. Because of this, the order in which they are expected to be played may not match the order in which they are actually played. You may be able to set the order in which MP3/WMA are to be played by writing them onto a medium such as a CD-R with their file names beginning with play sequence numbers such as "01" to "99". For example, a medium with the following folder/file hierarchy is subject to Folder Search, File Search or Folder Select as shown below.

- An outline of a CD-ROM with MP3/WMA is shown below. Subfolders are shown as folders in the folder currently selected.



- The equipment assigns folder numbers. The user can not assign folder numbers.
- ★ • It is not possible to check folders that do not include MP3/WMA files. (These folders will be skipped without displaying the folder number and name)

FILE/FOLDER PLAY

There are three different play methods as following:

File/Folder Intro play:

- Press M2 button more than 3 seconds during playing MP3/WMA disc for “intro play” all files of the current folder. Intro play should restart from the first song of the current folder, after all files in the current files have been intro-played.
To disable current folder “intro play”, long press M2 button more than 3 seconds
- Press M2 button less than 3 seconds is “intro play” all files on the disc. Intro play should re-start at the very first file of the disc after all files in the disc has been intro played.
To disable all files “intro play”, press M2 button less than 3 seconds

File/Folder Repeat play :

- Press M3 button more than 3 seconds during playing MP3/WMA disc for “repeat play” all files of the current folder. And keep on repeat playing the current folder until “repeat play” is disabled.
To disable current folder “repeat play”, long press M3 button more than 3 seconds
- Press M3 button less than 3 seconds to “repeat play” the current file. And keep on repeat playing the current file until the “repeat play” is disabled.
To disable current file “repeat play”, press M3 button less than 3 seconds

File/Folder Random play:

- Press M4 button more than 3 seconds during playing MP3/WMA disc to “random play” all files of the current folder.
To disable current folder “random play”, long press M4 button more than 3 seconds
- Press M4 button less than 3 seconds is “random play” all files on the disc.
To disable all file “ random play”, press M4 button less than 3 seconds.

9.MP3/WMA FILE OR FOLDER SEARCHING

The unit allows end user have three different method for the file / folder searching.

1)Direct file number searching. "014 MP3 file"

Press MP3 search button (Band button) **once**

LCD will display "number search", Press "Audio Select" key or press volume down/up button to enter the "Number search".

Press volume down up button until "014"

Long Press MP3 enter button (Audio Select button) to confirm & play file "014"

2) Folder /files Navigate searching. Folder "06" & File "016 MP3"

During MP3 or WMA files playback, press MP3 search button (Band Button) **twice**

LCD will display "Navigate search", Press "Audio Select" key or press volume down/up button to enter the "Navigate search".

Press volume down/up button until LCD displayed "06",

Short Press MP3 enter key (Audio Select Button) to go into folder "06"

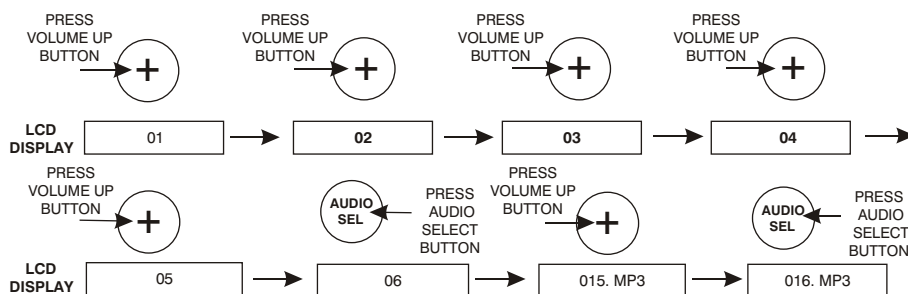
(Note: If MP3 enter key is press more than 3 seconds. The first file "015.MP3" will start playing)The "015.MP3" file will be displayed on the LCD,

Press volume down/up button until LCD displayed "016 MP3"

(Note: Press the "AS/PS" button will allow a quick return back to folder "06" or press volume up button backward to "06"

Long press MP3 enter key (Audio select Button) to confirm play "016 MP3" file

The Folder Navigate sequence on Display is like following;



3) Direct alphabetical input searching . Folder "06" & File "016 MP3"

During MP3 or WMA files playback, press MP3 search button (band button) **three times**

LCD will display "alphabet search" ,Press "Audio Select" key or press "volume down/up button" to enter the Alphabetical search.

Press volume down / up to input "06"

Press volume button to "0" and short press "Audio Select" to input next "6" by press volume button.

(Note: Track up/down button use as the cursor to move to the next or the previous alphabet input.)

Long press "Audio select" key to confirm the input of "06" and "06" will be display on the LCD.

Short press MP3 enter key (Audio select button) to go into folder "06" .






Press volume down/up button will able to navigate through "015 MP3" -> "016 MP3"

Long Press "Audio Select" key to confirm to play "016 MP3" .

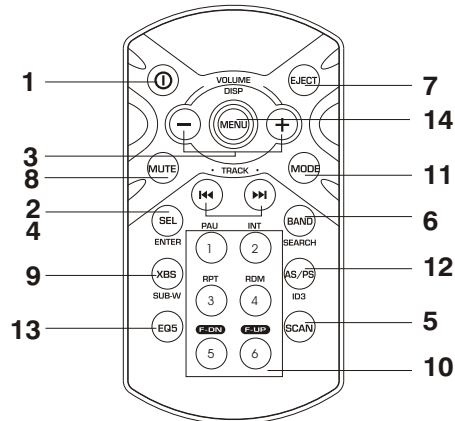
ID3 INFORMATION DISPLAY

If any MP3/WMA file recording with ID3 Tag information. The ID3 information such like Album title, Track title, Artist Title will be displayed and automatic scrolling through the LCD while the file is playing. User also allows pressing the AS/PS button repeatedly to view the ID3 tag information manually.

NOTE OF ID3 ICONS ON DISPLAY

ICON	DESCRIPTION
	FOLDER ICON
	FILE ICON
	TRACK ICON
	ARTIST ICON
	ALBUM ICON

10.REMOTE CONTROL



OPERATIONS:

Key	Radio Mode	CD Player Mode	MP3/WMA Mode
1. Power (⏻)	Power On/Off	Power On/Off	Power On/Off
2. Select (SEL) / Enter	Select Vol, Bas, Tre, Fad, Bal Sub-woofer	Select Vol, Bas, Tre, Fad, Bal Sub-woofer	Select Vol, Bas, Tre, Fad, Bal, MP3 enter Sub-woofer
3. Volume Up/Down	Adjust Vol, Bas, Tre, Fad, Bal Sub-woofer	Adjust Vol, Bas, Tre, Fad, Bal Sub-woofer	Adjust Vol, Bas, Tre, Fad, Bal Sub-woofer
4. Tuning Up/Down	Tuning/Seek Up/Down	Track Up/Down	Track Up/Down
5. Scan	Station Scan	No Function	No Function
6. Band/Search	Band	No Function	MP3/WMA Search
7. Eject	No Function	CD Eject	CD Eject
8. Mute	Mute	Mute	Mute
9. Xbass & Sub-woofer	Xbass & Sub-woofer	Xbass & Sub-woofer	Xbass & Sub-woofer
10. Numeric Key (1)	Preset station 1	Pause	Pause
(2)	Preset station 2	Intro scan	Intro scan
(3)	Preset station 3	Repeat	Repeat
(4)	Preset station 4	Random	Random
(5)	Preset station 5	No Function	Folder Down
(6)	Preset station 6	No Function	Folder Up
11. Mode	Change to CD / MP3/WMA Mode/Aux In	Change to Radio Mode /Aux In	Change to Radio Mode /Aux In
12. AS/PS/ID3	Auto Store/Preset Scan	CD TEXT	ID3 information
13. PEQ (EQ5)	Preset EQ	Preset EQ	Preset EQ
14. DISP/MENU	Display Clock, Spectrum Or animation/menu function	Display Clock, Spectrum Or animation/menu function	Display Clock, Spectrum Or animation/menu function

11.SPECIFICATIONS

CD PLAYER

System	Compact disc audio system
Usable disc	Compact disc
Sampling frequency	44.1KHz
No of quantization bits	1bit
Frequency	5-20,000Hz
Number of channels	2 stereo
S/N Ratio	70dB

RADIO SECTION

FM

Frequency Range	87.5-107.9 MHz
Intermediate Frequency	10.7 MHz
Usable Sensitivity	Better than 15dB at S/N 30 dB
Stereo Separation	25 dB at 1KHz
S/N Ratio	50 dB

AM(MW)

Frequency Range	530-1720 KHz
Intermediate Frequency	450KHz
Usable Sensitivity	Better than 45dB
S/N Ratio	40 dB

GENERAL

Power Supply	DC 11 -14V
Polarity	Negative Ground
Speaker impedance	4 ohms
Power Output	4 x 75W

REMARK :

Specifications subject to change without notice.

12.TROUBLE SHOOTING

Before going through the check list, check wiring connection. If any of the problems persist after check list has been made, consult your nearest service dealer.

Symptom	Cause	Solution
No power	The car ignition is not on.	If the power supply is properly connected to the car accessory terminal, switch the ignition key to "ACC"
	The fuse is blown.	Replace the fuse.
Disc cannot be loaded or ejected	Presence of CD disc inside the player.	Remove the disc in the player, then put a new one.
	Inserting the disc in reverse direction.	Insert the compact disc with the label facing upward.
	Compact disc is extremely dirty or defective disc.	Clean the disc or try to play a new one.
	Temperature inside the car is too high.	Cool off or until the ambient temperature returns to normal.
No sound	Volume is in minimum.	Adjust volume to a desired level.
	Wiring is not properly connected.	Check wiring connection.
The operation keys do not work	The built-in microcomputer is not operating properly due to noise.	Press the RESET button. Front panel is not properly fixed into its place
Sound skips.	The installation angle is more than 30 degrees.	Adjust the installation angle to less than 30 degrees.
	The disc is extremely dirt or defective disc.	Clean the compact disc. Then try to play a new one.
The radio does not work. The radio station automatic selection does not work.	The antenna cable is not connected.	Insert the antenna cable firmly.
	The signals are too weak.	Select a station manually.
ERROR 1	Mechanism Error	Press the reset button to correct the problem. If the error code does not disappear, consult your nearest service dealer.
ERROR 2	Servo Focus Error	Press the reset button to correct the problem. If the error code does not disappear, consult your nearest service dealer.
ERROR 3	Servo Tracking Error	Press the reset button to correct the problem. If the error code does not disappear, consult your nearest service dealer.
ERROR 4	Motorize Panel Error	Press the reset button to correct the problem. If the error code does not disappear, consult your nearest service dealer.
No File	No file Format supports for Playback on the disc	Replace the disc.
Disc Error	Maybe disc dirty / disc scratched /disc upside down.	Replace the disc.

www.lanzar.com

E - 22

Free Manuals Download Website

<http://myh66.com>

<http://usermanuals.us>

<http://www.somanuals.com>

<http://www.4manuals.cc>

<http://www.manual-lib.com>

<http://www.404manual.com>

<http://www.luxmanual.com>

<http://aubethermostatmanual.com>

Golf course search by state

<http://golfingnear.com>

Email search by domain

<http://emailbydomain.com>

Auto manuals search

<http://auto.somanuals.com>

TV manuals search

<http://tv.somanuals.com>