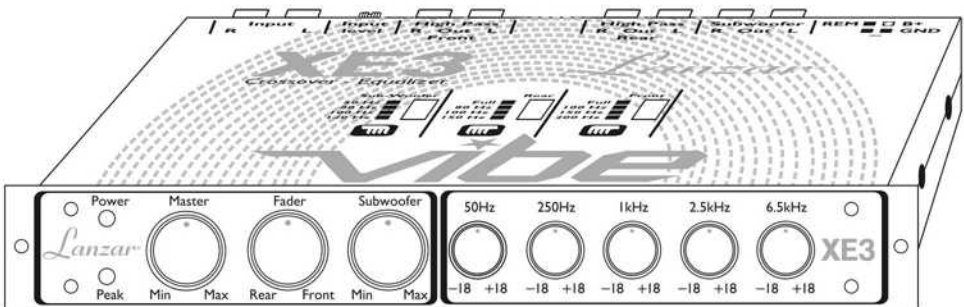


Lanzar®

vibe XE3

OWNER'S MANUAL

Five Bands Crossover Equalizer



- Five Band Equalizer:
50 - 250 - 1000 - 2500 - 6500 Hz
- Fader Control
- Subwoofer Level Control
- Master Level control
- Peak LED
- Input Level Adjustment
- 3 Pre-Outs
- High-Pass Front Full Range , Switchable
100-150-200Hz
- High-Pass Rear Full Range , Switchable
80-100-150Hz
- Low-Pass Switchable
50-80-100-120Hz

CONTENTS

Installation	3
Wire Connection	4
Operation	5
Front panel Operation	5
Top Panel and Connections	6
Level Adjustment	7
Specification	8
Trouble Shooting	9
Care and Maintenance	10

INSTALLATION

MOUNTING THE vibe Xe3

This 1/2 DIN sized unit can easily be mounted in either dash location (if available) or an under the dash position using the mounting hardware supplied. Use the mounting diagram for mounting the vibe Xe3 Crossover/Equalizer.

Notes:

Choose the mounting location where the unit will not interfere with the normal driving function of the driver.

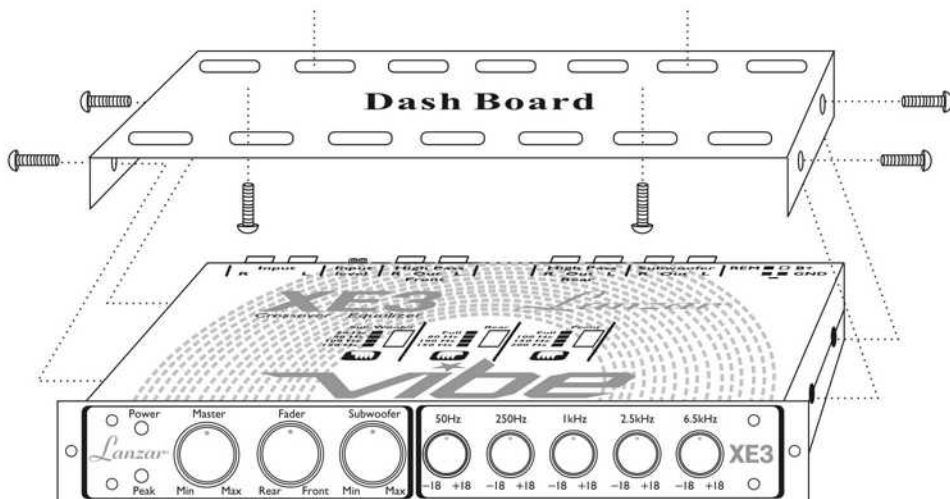
Before finally installing the unit, connect the wiring temporarily and make sure it is all connected up properly and the unit and the system work properly.

Use only the parts included with the unit to ensure proper installation. The use of unauthorized parts can cause malfunctions.

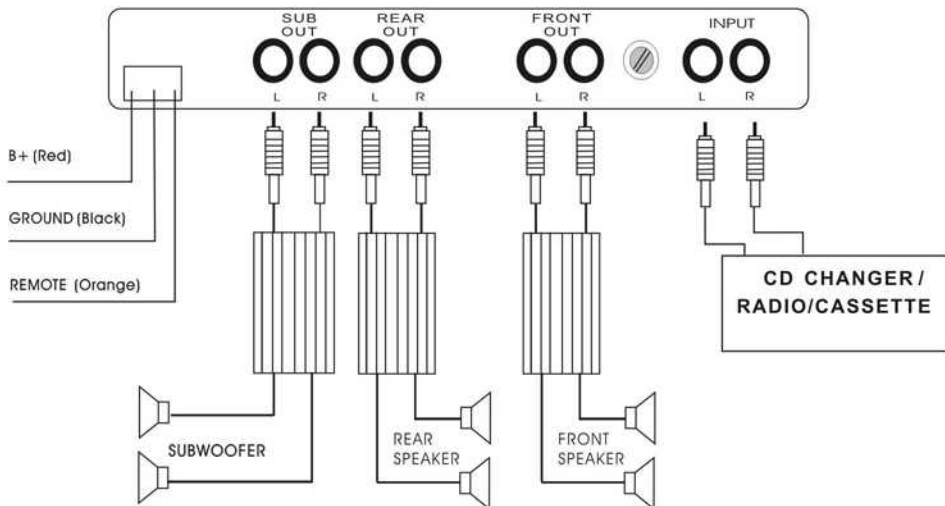
Consult with your nearest dealer if installation requires the drilling of holes or other modifications of the vehicle.

Install the unit where it does not get in the driver's way and cannot injure the passenger if there is a sudden stop, like an emergency stop.

Avoid installing the unit where it would be subject to high temperature, such as from direct sunlight, or from the hot air, from the heater, or where it would be subject to dust, dirt or excessive vibration.



WIRING CONNECTION



The **vibe XE3** come with a three pin modular wiring harness. This wiring harness contains color coded wires. The red wire is the +12V, the black wire is the ground and the orange wire is the remote turn-on lead. Connecting these wires should be fairly easy. Use the following guidelines to assist you in your connections.

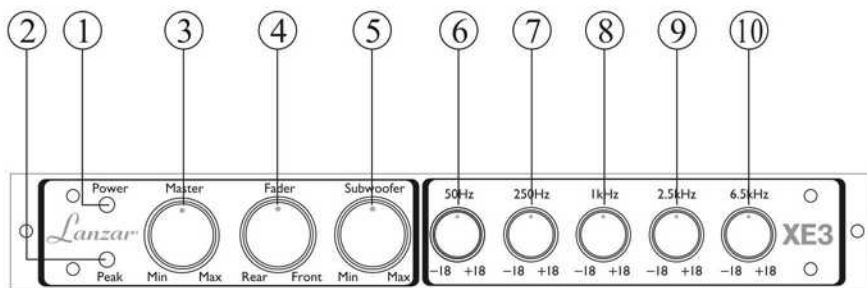
1. Pull your source unit out of the dash far enough until the wires are exposed
2. Use a test light or a (digital) volt meter and find a constant +12V lead for the radio. Splice into this lead. Take the red wire from the wiring harness and connect it inline with the +12V wire using a barrel connector of appropriate size. Crimp the wires back together.
3. Locate the ground wire supplied to the source and splice into it. Take the black wire from the wiring harness and connect it inline with the ground wire using a barrel connector of appropriate size. Crimp the wires back together. If your ground wire is screwed to the back of your source, you may use this to ground the black wire. Be sure to use a ring terminal of the appropriate size and tighten the screw securely. If your source is receiving its ground through the antenna, you will need to find your own grounding point. Locate a metal area close to the **vibe XE3** that is a good source of ground (preferably the floor). Eliminate unwanted paint using a wire brush or sandpaper. Terminate the black wire using the correct size of ring terminal and attach it to the bare metal. Spread silicone over the screw and bare metal to prevent rust.
4. You should now have one wire left, the remote turn-on. This wire is to be connected up to the remote turn-on lead coming out of the source unit. Use a barrel connector of appropriate size to interlink these wires. If your source does not have a remote turn-on lead, you will need to find a switched +12V supply. This can be done by using a toggle switch or using an ignition controlled lead.
5. Plug the modular three pin harness into the corresponding socket on the rear of the **vibe XE3**.

SIGNAL CABLES

Choose the correct length and style of RCA patch cables for your needs. Better RCA's, such as the ones from the Caliber Get Connected series, have gold-plated connectors and multiple layers of shielding for better noise rejection (consult your official LANZAR dealer about these cables and RCA's).

OPERATION

FRONT PANEL



1. Power on/of indicator.

This LED will illuminate when the system is in operation.

2. Peak or clipping indicator.

This LED will illuminate when your VIBE-XE3 is overloaded or when the signal is clipping.

3. Master volume control.

Used to control the system volume when the source unit is preset to a specific volume.

4. Fader.

Adjusts the proportionate level of the front- and rear outputs.

5. Sub-woofer level control.

Adjusts the sub-woofer output level below the crossover frequency selected.

6. 50Hz.

Adjusts the cut of or boost up to 18dB at 50Hz.

7. 250Hz.

Adjusts the cut of or boost up to 18dB at 250Hz.

8. 1KHz.

Adjusts the cut of or boost up to 18dB at 1000Hz.

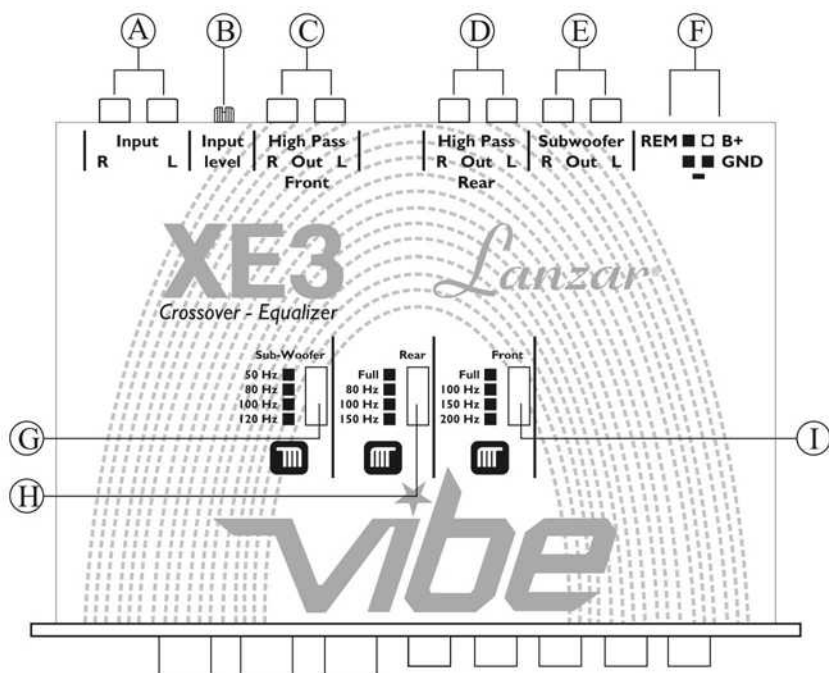
9. 2.5KHz.

Adjusts the cutof or boost up to 18dB at 2500Hz.

10. 6.5KHz.

Adjusts the cut of or boost up to 18dB to the 6500Hz shelving equalizer.

OPERATION



TOP PANEL AND CONNECTIONS

- A. Input.** Docking ports for the RCA connectors arriving from the source unit's output.
- B. Input level control.** Input sensitivity level control adjusts to your source unit's output.
- C. Front output.** Docking ports for the RCA connectors leading to the front speaker amplifier.
- D. Rear output.** Docking ports for the RCA connectors leading to the rear speaker amplifier.
- E. Subwoofer output.** Docking ports for the RCA connectors leading to the subwoofer amplifier.
- F. 3-pin modular socket.** (at the back) Contains the power, ground and remote turn-on input.

CROSSEVERS

G. Sub-woofer crossovers.

This four position switch allows you to select your low-pass crossoverpoint for your sub-woofers at 50Hz, 80Hz, 100Hz or 120Hz.

H. Rear high-pass crossover.

This four position switch allows you to select your high-pass crossoverpoint for your rear speakers at 80Hz, 100Hz, 150Hz or FULL range.

I. Front high-pass crossover.

This four position switch allows you to select your high-pass crossoverpoint for your front speakers at 100Hz, 150Hz, 200Hz or FULL range.

Important! Set your crossoverpoints correctly before you mount your vibe XE3. Consult your official LANZAR dealer if you are unsure of the correct settings.

OPERATION

Run all of the RCA's from the amplifiers to the location of the vibe XE3. make sure you run the RCA's on the opposite side of the vehicle from where you ran the power cables to the amplifiers. Attach the RCA's to the amplifiers and to the corresponding ports of the vibe XE3. The sub-woofer output to the sub-woofer amp, the rear output to the rear amp and the front output to the front amp. Now attach the RCA's to the output of the source and the input of the vibe XE3. Always be careful not to cross the power wires with your RCA cables.

LEVEL ADJUSTMENT

Level adjustment is a very serious. If done incorrect, much damage can be done to your system. If you follow the steps here below one by one, nothing can go wrong , and you will get the best output possible from your vibe XE3.

1. Turn all the input level(s) on your amplifier(s) to a minimum.
2. Turn the input gain on your vibe XE3 to a minimum.
3. Turn the mastervolume of the vibe XE3 (knob 3) to two O'clock.
4. Turn the volume of your radio/cd-player to 80% of the maximum volume.

Now slowly turn up the input gain of the vibe XE3 until you hear distortion in your speakers. Listen carefully when your speakers start to distort. Turn the input gain of the vibe XE3 a little bit back from the point where the distortion began. In this way you will get the optimum performance from your vibe XE3.

Once you have tuned the vibe XE3 to perfection, you are ready to mount it

SPECIFICATION

Pre-amp Input level	0.12V to 4V
Input impedance	10K
Frequency response	10Hz to 30KHz +1dB
T.H.D.	0.03%
Channal separation	>82dB
Signal to noise ratio	>92dB
Maximum output	7.5V RMS
Equalizer frequencies	50Hz, 250Hz, 1000Hz, 2500Hz,6500Hz
Cut/Boost	+/- 12dB
Sub-woofer level control	-6dB to +10dB

Crossover

Sub-woofer output	50Hz, 80Hz, 100Hz, 120Hz
Slope	18dB/Octave
Rear output	80Hz, 100Hz, 150Hz, Full
Slope	12dB/Octave
Front output	100Hz, 150Hz, 200Hz, Full
Slope	12dB/Octave

TROUBLE SHOOTING

Symptom

Possible remedy:

Signal Processor does not turn on.

Check:
*Remote Turn-On wire has (+) 12V
*(+) 12V wire has (+) 12V
*Ground wire is properly connected:

Level of sound is low.

Check:
*Wiring is not loose or cables misconnected/disconnected
*RCA cables are not faulty

Background noise is too high.

Check:
*Wiring is not loose or cables misconnected/disconnected -
ground is important
*RCA cables are not faulty

PRECAUTIONS

Enjoy your system, but use it wisely and safely!

- * Never drive with the volume raised so high you cannot hear what is occurring in traffic around you.
- * Be ware that repeated exposure to excessive volume levels can permanently damage your hearing!
- * Keep all electronics away from moisture, dust, extreme heat or extreme vibrations.

CARE AND MAINTENANCE

Your LANZAR vibe XE 3 Crossover Equalizer is an example of superior design and craftsmanship. The following suggestions will help you care for your equalizer / booster so you can enjoy it for years.



Keep the graphic / equalizer dry. If it does get wet, wipe it dry immediately. Liquids contain minerals that can corrode electronic circuits.



Use and store the graphic / equalizer only in normal temperature environments. Temperature extremes can shorten the life of electronic devices and distort or melt plastic parts.



Handle the graphic / equalizer gently and carefully. Dropping it can damage the circuit boards and can cause it to work improperly.



Keep the graphic / equalizer away from dust and dirt, which can cause premature wear of parts.



Wipe the graphic / equalizer with a damp cloth occasionally to keep it looking new. Do not use harsh chemicals, cleaning solvents, or strong detergents to clean the graphic / equalizer.

www.lanzar.com

Free Manuals Download Website

<http://myh66.com>

<http://usermanuals.us>

<http://www.somanuals.com>

<http://www.4manuals.cc>

<http://www.manual-lib.com>

<http://www.404manual.com>

<http://www.luxmanual.com>

<http://aubethermostatmanual.com>

Golf course search by state

<http://golfingnear.com>

Email search by domain

<http://emailbydomain.com>

Auto manuals search

<http://auto.somanuals.com>

TV manuals search

<http://tv.somanuals.com>