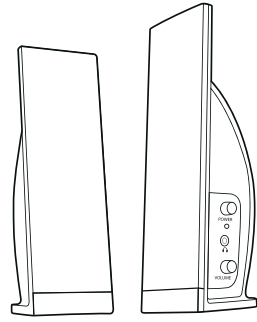
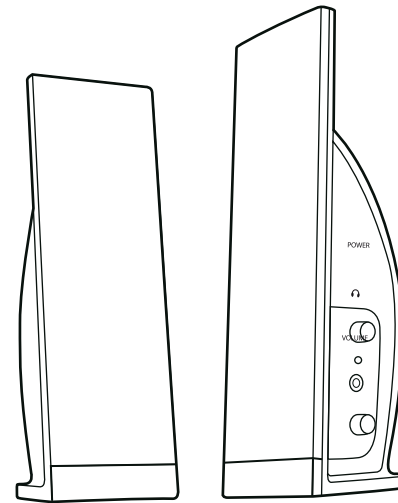


SPK-S10 User Manual



2.0 SPEAKER SYSTEM

For technical support please visit
<http://www.laserco.com.au>



Please read carefully before use

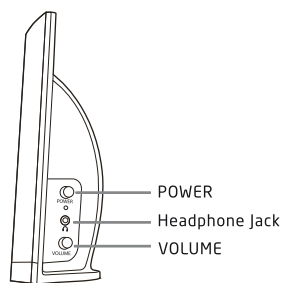
SPK-S10 User Manual

SPECIFICATION

Frequency response 120Hz - 20KHz Speaker : 5090 x 2 FULL RANGE
Power Input: 240VAC/50Hz Audio input: 3.5 mm stereo jack
Dimensions: 67mm (W) X 200mm (H) X 58mm (D).

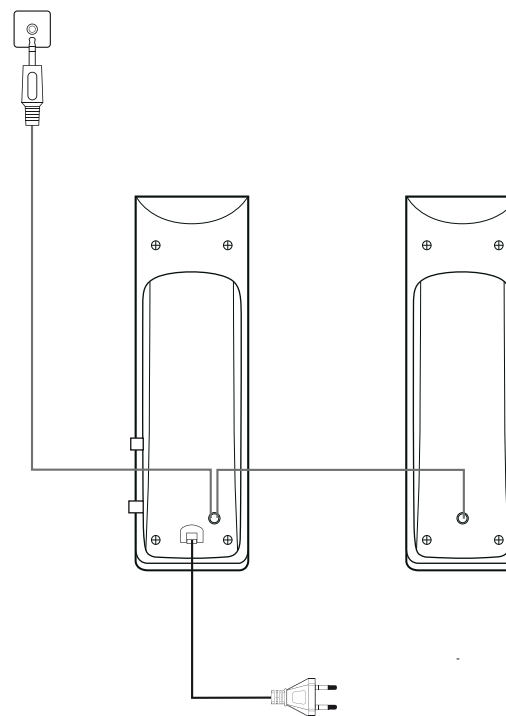
INSTALLATION AND OPERATION GUIDE

- A: Before connecting be sure that all components are switched off.
- B: Insert the 3.5mm stereo jack in to the audio out socket of the PC sound card, MP3 Player or other Audio Devices.
- C: Plug the AC power cable in to the power socket.
- D: Turn the volume control to minimum and then switch the speaker system on by pressing the POWER button. The LED will light up.
- E: Adjust the volume knob to a desirable volume level.



CONNECTIONS

(CD/ MP3/ Radio/ Computer.....) To Audio Source



*Disconnect AC power cord from the power outlet when not in use.

Free Manuals Download Website

<http://myh66.com>

<http://usermanuals.us>

<http://www.somanuals.com>

<http://www.4manuals.cc>

<http://www.manual-lib.com>

<http://www.404manual.com>

<http://www.luxmanual.com>

<http://aubethermostatmanual.com>

Golf course search by state

<http://golfingnear.com>

Email search by domain

<http://emailbydomain.com>

Auto manuals search

<http://auto.somanuals.com>

TV manuals search

<http://tv.somanuals.com>