



MAKING GOOD PRODUCTS GREAT

# User' s Manual Digital Audio Player

## A7



Version : 1.0

- Please read this manual carefully before using your new player.
- LASER shall reserve the right to modify the specifications and other information without further notice.
- Please respect the copyright laws in your area.
- Shape and colour of actual product might be different as the shown picture.
- Display screen in default setting might be different to the screen contents used here.

## Features and specification:

- Stylish aluminium finish
- Flash memory up to 4GB
- LCD display, 128X64 pixels
- Audio format: MP3, WMA, WAV
- Voice recording
- FM radio
- E-Book format: TXT
- Multi playing modes
- Multi EQ modes: Normal, PlayFX, Rock, Pop, Classic, Jazz, User
- Backlight time and brightness adjustable
- Multi languages up to 20 languages
- USB 2.0 High speed
- Movable Disk function
- Rechargeable 3.7V 320mAh battery.

※ Features and specifications are subject to change without notice.



## Precautions:

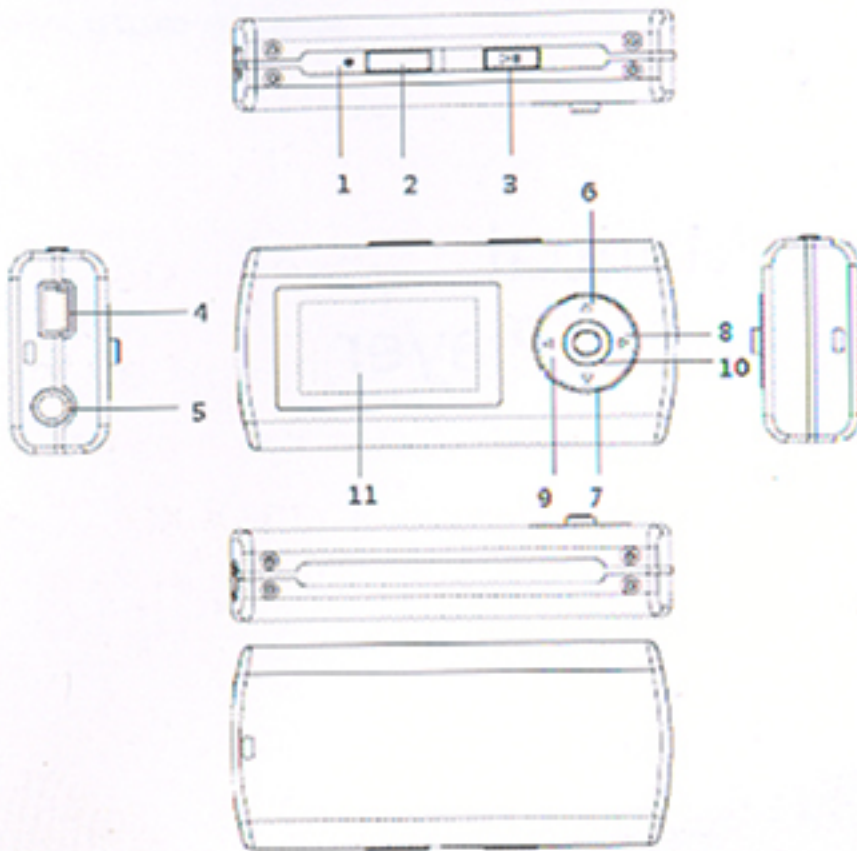
Thank you for purchasing the MP3 player, Please read this user's manual carefully before using it.

- ▶ The player should be kept in the areas free from extreme temperatures, moisture and dust.
- ▶ Avoid from dropping the player, the LCD screen might get damaged and cannot operate properly.
- ▶ Please adjust proper volume to avoid causing damage to your hearing.
- ▶ Please recharge the player in case of : (A) Battery icon display short of power. (B) The player power off automatically, after turn-on again turn off quickly. (C) Operation keys have no reaction.

The player can be recharged by connect to computer's USB port or charger. It's a normal phenomenon when the player is recharging, the temperature is a little high.

- ▶ Please do not interrupt the connection when the player is formatting or uploading and downloading. It may damage data and the player.
- ▶ We don't assume any liability, including but not limited to, data loss arising out of improper operation or accidental damages. Always backup your important data.
- ▶ Don't disassemble the player lead to invalid warranty.
- ▶ Don't clean the surface with alcohol, thinner or benzene, avoid to damage the player.
- ▶ Don't operate the player inside restricted area (e.g. on an aircraft)
- ▶ Don't operate the player while driving or walking avoid to accidents.

# Product overview



- 1. Reset key    2. Hold key    3. Power/Play/Pause key
- 4. USB port    5. Earphone jack    6. Up key
- 7. Down key    8. Right key    9. Left key
- 10. Enter key    11. LCD panel



## Key description:

1. Reset key: If the player hangs up during playback, please use a sharp dielectric to press Reset key inside the hole until the player turns off.
2. Hold key: (A) Lock: Push this key toward lock direction to lock the player's keys to prevent unintentional operation. (B) Unlock: In lock state, push this key toward reverse direction to unlock.
3. Power/Play/Pause key: (A) Power On: long press the key, the player will start and display the main interface after about three seconds. (B) Power Off: long press this key about three seconds to power off. (C) Play/Pause: in Music, voice recording and FM mode, press this key to play or record, again on short, the system will pause. (D) Delete file: In browser, select the file you want to delete , then press this key to pop – up the delete dialog box. (E) Auto play: When reading an E-book, press this key to auto play, press this key again to stop.
4. Up key: (A) Volume adjustment: in Music and FM mode, volume can be increased by pressing the key.  
(B) Previous item: Press this key to select the previous

item in the sub menu.

5. Down key: (A). Volume adjustment: in Music and FM modes, volume can be decrease by pressing this key. (B) Next item: Press this key to select next item in the sub menu.

6. Right key: in play music state, short press this key to play the next file, long press this key to fast forward through the file.

7. Left lkey: (A) in play music state, short press this key to play the previous file, long press this key to fast reverse through the file. (B) in browser and Setting mode, Press this key in submenu to exit to previous menu.

8. Enter key: (A) Enter: Press Left or Right key to select your required function (Music/ Record /FM /E-book/ /Browser /Settings), press this key to enter required function menu. (B) A-B repeat: During the music playback, short press this key twice, the player will realization A-B repeat, if you want to stop A-B Repeat mode pressing this button again.(C) Save: in Record mode, when recording has been completed, press this button to save the file. file names are generates automatically in sequence. (D)Long press this key to exit and return main interface. (E). in FM mode, press this key pop-up sub menu. (F) In settings mode, press this key to confirm the selection.





MAKING GOOD PRODUCTS GREAT

# User' s Manual Digital Audio Player

## A7



Version : 1.0

- Please read this manual carefully before using your new player.
- LASER shall reserve the right to modify the specifications and other information without further notice.
- Please respect the copyright laws in your area.
- Shape and colour of actual product might be different as the shown picture.
- Display screen in default setting might be different to the screen contents used here.

## Free Manuals Download Website

<http://myh66.com>

<http://usermanuals.us>

<http://www.somanuals.com>

<http://www.4manuals.cc>

<http://www.manual-lib.com>

<http://www.404manual.com>

<http://www.luxmanual.com>

<http://aubethermostatmanual.com>

Golf course search by state

<http://golfingnear.com>

Email search by domain

<http://emailbydomain.com>

Auto manuals search

<http://auto.somanuals.com>

TV manuals search

<http://tv.somanuals.com>