

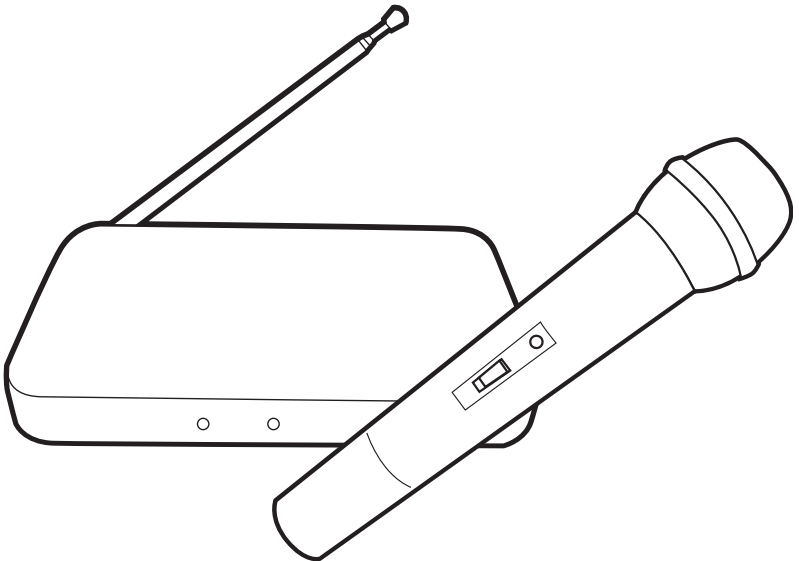
Memorex®

Is it live or is it Memorex?™

MKA381

User's Guide

Wireless Microphone



**Before operating this product,
please read these instructions completely.**

SAFETY PRECAUTIONS

FCC INFORMATION

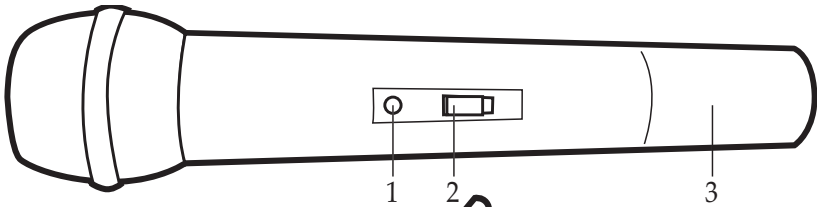
This equipment has been tested and found to comply with the limits for a Class B digital device, pursuant to Part 15 of the FCC Rules. These limits are designed to provide reasonable protection against harmful interference in a residential installation. This equipment generates, uses, and can radiate radio frequency energy and, if not installed and used in accordance with the instructions, may cause harmful interference to radio communications. However, there is no guarantee that interference will not occur in a particular installation. If this equipment does cause harmful interference to radio or television reception, which can be determined by turning the equipment off and on, the user is encouraged to try to correct the interference by one or more of the following measures:

- Reorient or relocate the receiving antenna.
- Increase the separation between the equipment and receiver.
- Connect the equipment into an outlet on a circuit different from that to which the receiver is connected.
- Consult the dealer or an experienced radio/TV technician for help.

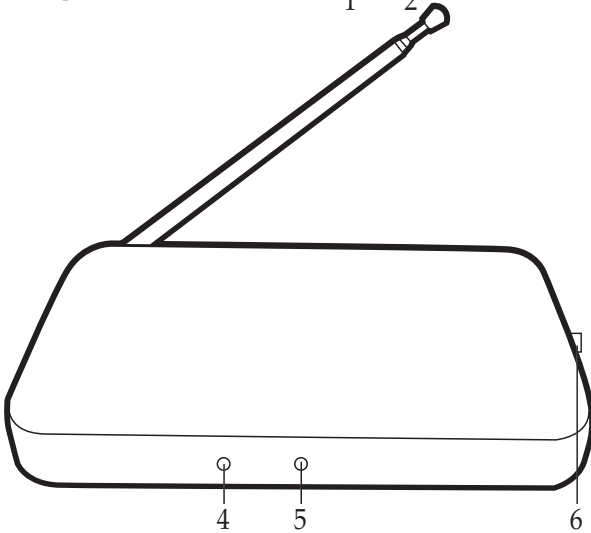
PLEASE KEEP ALL PACKAGING MATERIAL FOR AT LEAST 90 DAYS IN CASE YOU NEED TO RETURN THIS PRODUCT TO YOUR PLACE OF PURCHASE OR MEMOREX.

LOCATION OF CONTROLS

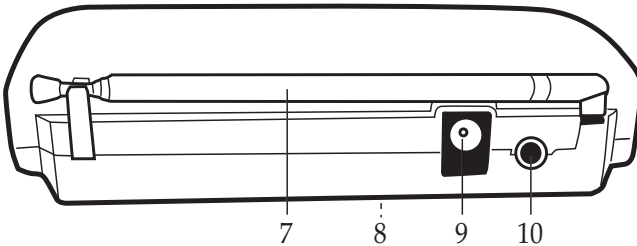
MICROPHONE



RECEIVER FRONT



RECEIVER REAR



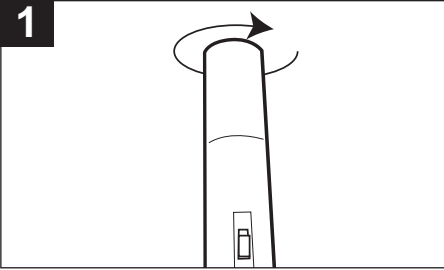
- | | |
|-------------------------------------|---|
| 1. POWER Indicator | 6. POWER ON/OFF Switch |
| 2. Microphone ON/STANDBY/OFF Switch | 7. Antenna |
| 3. Battery Compartment | 8. Battery Compartment (Bottom of Receiver) |
| 4. Microphone ON Indicator | 9. DC 4.5V Jack \ominus \oplus |
| 5. POWER ON Indicator | 10. Line OUT Jack |

INSTALLATION

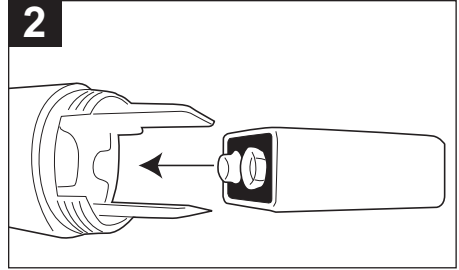
REPLACING THE BATTERIES

If the sound quality starts to become poor or the receiving distance has shortened, replace the batteries in the microphone and the receiver as follows:

INSTALLING THE BATTERY INTO THE MICROPHONE

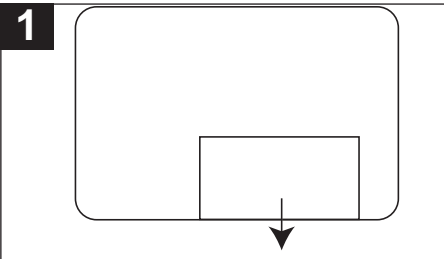


Remove the battery cover at the bottom of the microphone by twisting it counterclockwise.

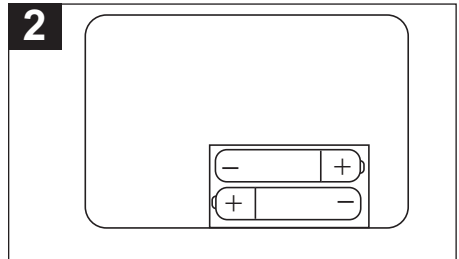


Insert one 9V battery, making sure to observe the correct polarity (+/-). Twist the battery cover clockwise to put it back on.

INSTALLING THE BATTERIES INTO THE RECEIVER



Remove the battery cover by sliding it off.



Insert two (2) "AA" size batteries (not included) following the polarity diagram (+/-). Slide the battery cover back into place.

DC JACK

To use the receiver with the external AC adapter (included) having 4.5V and a positive center pin, insert the AC adapter's plug into the DC 4.5V jack on the receiver. The batteries will be disconnected when the AC adapter is connected.

BATTERY PRECAUTIONS

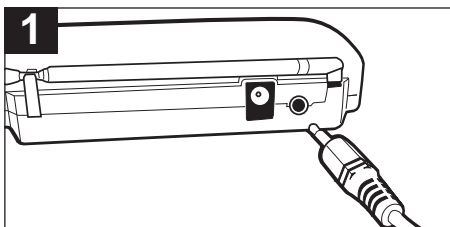
Follow these precautions when using batteries in this device:

1. Use only the size and type of batteries specified.
2. Be sure to follow the correct polarity when installing the batteries as indicated in the battery compartment. Reversed batteries may cause damage to the device.
3. Do not mix different types of batteries together (e.g. Alkaline, Rechargeable and Carbon-zinc) or old batteries with fresh ones.
4. If the device is not to be used for a long period of time, remove the batteries to prevent damage or injury from possible battery leakage.
5. Do not try to recharge batteries not intended to be recharged; they can overheat and rupture. (Follow battery manufacturer's directions.)

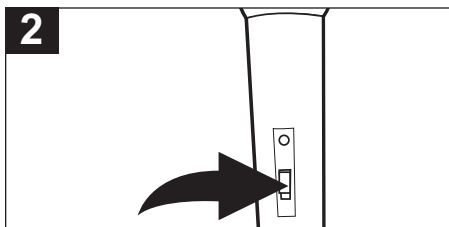
OPERATION

USING YOUR MICROPHONE (TRANSMITTING)

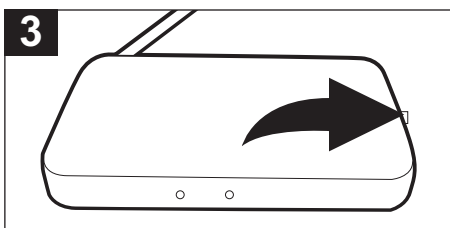
To use your microphone, please see the following:



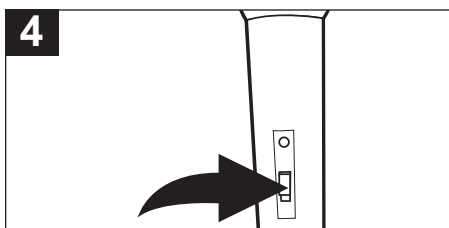
1 Insert the large end of the cord into the Microphone jack on the unit you are connecting this wireless microphone to, and the small end into the Line OUT jack on the receiver.



2 Slide the Microphone ON/STANDBY/OFF switch to the ON position; the POWER indicator on the microphone will light.



3 Slide the Receiver's POWER switch to the ON position; the red POWER indicator on the receiver will light. If the microphone is on, the green Microphone ON indicator on the receiver will also light. Raise the antenna for best reception and speak or sing into the microphone as desired.



4 Slide the Microphone ON/STANDBY/OFF switch to the STNBY (Standby) position to put the microphone in Standby mode (it will be on, but will not transmit). Slide the Microphone ON/STANDBY/OFF switch to the OFF position to turn the microphone off; the POWER indicator on the mic and the green MIC indicator on the receiver will go out.

NOTES:

- When done using the receiver, slide the POWER switch to the OFF position; the red POWER indicator will go out.
- If your microphone is not to be used for a long period of time, remove the batteries in the microphone and the receiver.
- If the microphone is out of range (microphone too far away from the receiver) the green Microphone ON indicator on the receiver will turn off and the microphone will be muted.

SPECIFICATIONS

Power Requirement

ReceiverDC 3V, 2 X LR6 "AA" Alkaline Battery

Microphone.....DC 9V Battery

Frequency171.045MHz

Receive Distance.....7m

Specifications subject to change without notice.

FOR ADDITIONAL SET-UP OR OPERATING ASSISTANCE, PLEASE VISIT OUR WEBSITE AT

WWW.MEMOREXELECTRONICS.COM

OR CONTACT CUSTOMER SERVICE AT 1-800-919-3647.

PLEASE KEEP ALL PACKAGING MATERIAL FOR AT LEAST 90 DAYS IN CASE YOU NEED TO RETURN THIS PRODUCT TO YOUR PLACE OF PURCHASE OR TO MEMOREX.

FOR PARTS AND ACCESSORIES, CONTACT FOX INTERNATIONAL AT 1-800-321-6993.

Memcorp, Inc.
Weston, FL
Printed in Hong Kong

Visit our website at www.memorexelectronics.com

Free Manuals Download Website

<http://myh66.com>

<http://usermanuals.us>

<http://www.somanuals.com>

<http://www.4manuals.cc>

<http://www.manual-lib.com>

<http://www.404manual.com>

<http://www.luxmanual.com>

<http://aubethermostatmanual.com>

Golf course search by state

<http://golfingnear.com>

Email search by domain

<http://emailbydomain.com>

Auto manuals search

<http://auto.somanuals.com>

TV manuals search

<http://tv.somanuals.com>