

Portable Wireless Speaker

I'll Play Your Tunes Wirelessly

User Guide

Please read these instructions completely before operating this product.



Please recycle
Facilities may not be available in your area

memorex.com
MA3911



CAUTION

RISK OF ELECTRIC SHOCK
DO NOT OPEN



CAUTION: TO REDUCE THE RISK OF ELECTRIC SHOCK, DO NOT REMOVE COVER (OR BACK). NO USER-SERVICEABLE PARTS INSIDE. REFER SERVICING TO QUALIFIED SERVICE PERSONNEL.



DANGEROUS VOLTAGE: The lightning flash with arrowhead symbol within an equilateral triangle is intended to alert the user to the presence of uninsulated dangerous voltage within the product's enclosure that may be of sufficient magnitude to constitute a risk of electric shock to persons.



ATTENTION: The exclamation point within an equilateral triangle is intended to alert the user to the presence of important operating and maintenance (servicing) instructions in the literature accompanying the appliance.

FCC WARNING: This equipment may generate or use radio frequency energy. Changes or modifications to this equipment may cause harmful interference unless the modifications are expressly approved in the instruction manual. The user could lose the authority to operate this equipment if an unauthorized change or modification is made.

ATTENTION: POUR ÉVITER LES CHOC ÉLECTRIQUES, INTRODUIRE LA LAME LA PLUS LARGE DE LA FICHE DANS LA BORNE CORRESPONDANTE DE LA PRISES ET POUSSER JUSQU'AU FOND.

This device complies with part 15 of the FCC Rules. Operation is subject to the following two conditions: (1) This device may not cause harmful interference, and (2) this device must accept any interference received, including interference that may cause undesired operation.

NOTE: This equipment has been tested and found to comply with the limits for a Class B digital device, pursuant to part 15 of the FCC Rules. These limits are designed to provide reasonable protection against harmful interference in a residential installation. This equipment generates, uses and can radiate radio frequency energy and, if not installed and used in accordance with the instructions, may cause harmful interference to radio communications. However, there is no guarantee that interference will not occur in a particular installation. If this equipment does cause harmful interference to radio or television reception, which can be determined by turning the equipment off and on, the user is encouraged to try to correct the interference by one or more of the following measures:

- Reorient or relocate the receiving antenna.
- Increase the separation between the equipment and receiver.
- Connect the equipment into an outlet on a circuit different from that to which the receiver is connected.
- Consult the dealer or an experienced radio/TV technician for help.
- The rating information is located at the bottom of the apparatus.

WARNING: TO PREVENT FIRE OR SHOCK HAZARD, DO NOT EXPOSE THIS UNIT TO RAIN OR MOISTURE.

SURGE PROTECTORS: It is recommended to use a surge protector for AC connection. Lightning and power surges ARE NOT covered under warranty for this product.

This Class B digital apparatus complies with Canadian ICES-003.
Cet appareil numérique de la classe B est conforme à la norme NMB-003 du Canada.

Only use attachments/accessories specified by the manufacturer.

To be completely disconnected from the power input, the main plug of the AC/DC adapter should be disconnected from the electrical outlet. The main plug of the AC/DC adapter should not be obstructed OR should be easily accessed during intended use.

Do not expose the product to dripping or splashing. Do not place liquid filled objects such as vases on the product.

The Bluetooth word mark and logos are owned by the Bluetooth SIG, Inc. and any use of such marks by Imation is under license. Other trademarks and trade names are those of their respective owners.

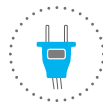
IMPORTANT SAFETY INSTRUCTIONS

1. Read these Instructions.
2. Keep these Instructions.
3. Heed all Warnings.
4. Follow all instructions.
5. Do not use this apparatus near water.
6. Clean only with a dry cloth.
7. Do not block any of the ventilation openings. Install in accordance with the manufacturer's instructions.
8. Do not install near any heat sources such as radiators, heat registers, stoves, or other apparatus (including amplifiers) that produce heat.
9. Do not defeat the safety purpose of the polarized or grounding-type plug. A polarized plug has two blades with one wider than the other. A grounding-type plug has two blades and a third grounding prong. The wide blade or the third prong are provided for your safety. When the provided plug does not fit into your outlet, consult an electrician for replacement of the obsolete outlet.
10. Protect the power cord from being walked on or pinched particularly at plugs, convenience receptacles, and the point where they exit from the apparatus.
11. Only use attachments/accessories specified by the manufacturer.
12. Use only with a cart, stand, tripod, bracket, or table specified by the manufacturer, or sold with the apparatus. When a cart is used, use caution when moving the cart/ apparatus combination to avoid injury from tip-over.
13. Unplug this apparatus during lightning storms or when unused for long periods of time.
14. Refer all servicing to qualified service personnel. Servicing is required when the apparatus has been damaged in any way, such as power-supply cord or plug is damaged, liquid has been spilled or objects have fallen into the apparatus, the apparatus has been exposed to rain or moisture, does not operate normally, or has been dropped.
15. **WARNING:** To reduce the risk of fire or electric shock, do not expose this apparatus to rain or moisture. Do not place objects filled with water, such as a vase, on the apparatus.
16. The AC mains plug is used as the power disconnect device and it should remain readily accessible and operable during intended use. In order to completely disconnect the apparatus from power, the mains plug should be completely removed from the AC outlet socket.
17. **CAUTION:** To reduce the risk of fire or explosion, do not expose batteries to excessive heat such as sunshine, fire or other heat sources.

PORTABLE CART WARNING
(symbol provided by IEC/ETAC)



AC CONNECTION

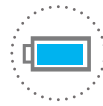


Insert the small end of the AC adapter into the DC In jack ⑩ (located on the rear of the unit). Connect the other end to a wall outlet having 120V AC, 60 Hz.

NOTES:

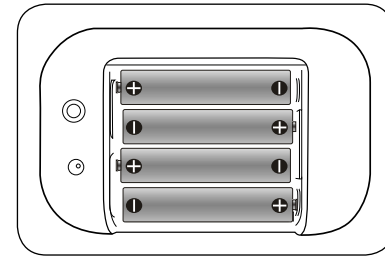
- Remove both the DC plug and the AC-IN plug to disconnect the AC adapter when not in use.
- Only use the supplied AC adapter which has the following specs: DC 5V ⓈⓈⓈ

BATTERY INSTALLATION



You can also use batteries to power this unit as follows:

1. Open the Battery Compartment ⑪ by sliding the compartment cover off.
 2. Install four (4) AAA size batteries, paying attention to the polarity diagram in the compartment.
 3. Replace the Battery Compartment cover ⑪.
 4. When listening to music, the unit can play around 6 hours under battery mode.
 5. The AC adapter must be disconnected from the DC In jack on the rear of the unit in order for the unit to operate on battery power.
- When the batteries are weak and need replacing, the indicator will blink slowly.



NOTE: To avoid battery usage, it is suggested to use AC connection when convenient.

BATTERY PRECAUTIONS

Follow these precautions when using batteries in this device:

1. Warning – Danger of explosion if battery is incorrectly replaced. Replace only with the same or equivalent type.
2. Use only the size and type of batteries specified.
3. Be sure to follow the correct polarity when installing the batteries as indicated in the Battery Compartment. A reversed battery may cause damage to the device.
4. Do not mix different types of batteries together (e.g. Alkaline, Rechargeable and Carbon-zinc) or old batteries with fresh ones.
5. If the device is not to be used for a long period of time, remove the batteries to prevent damage or injury from possible battery leakage.
6. Do not try to recharge a battery not intended to be recharged; it can overheat and rupture. (Follow battery manufacturer's directions.)
7. Remove batteries promptly if consumed.
8. Clean the battery contacts and also those of the device prior to battery installation.

PAIRING A BLUETOOTH ENABLED MOBILE DEVICE



You can listen to your music from your **Bluetooth** enabled mobile device wirelessly through this unit. When your phone rings, simply take the call with a touch of a button. End the call by touching the same button, and return to enjoying your music!

Pair the mobile device as follows:

1. Turn on the speaker by pressing and holding the Power button ④ until the Blue indicator lights and the beeps sound.
2. Turn your mobile device on and place it within around 30 feet (without barrier) of the speaker.
3. Press and hold the Power button ④ until the indicator blinks blue and orange, then release. The speaker is now in Pairing mode.
4. Enable the mobile device's **Bluetooth** function; refer to your mobile device for specific instructions, but it is usually located in the Settings menu or similar location. After enabling, this Memorex device will appear as an option. Select it on your mobile device; the units will then pair with each other, a beep will sound and the orange indicator will light.

NOTES:

- If the mobile device requires a pairing code, use "0000".
- If the **Bluetooth** enabled mobile device cannot pair to the unit within 3 minutes, the indicator will turn back to blue.
- When using this unit as a phone, the sound will only be heard through the right speaker to reduce echo.

LISTENING TO MUSIC

1. Turn your mobile device on and place it within around 30 feet (without barrier) of the speaker.
2. Turn on the speaker by pressing and holding the Power button ④ until the Blue indicator lights and the beeps sound. If the unit has recently been paired with the mobile device, the unit will beep and the indicator will turn orange indicating it is paired. If you have not paired the mobile device or if the orange indicator does not light, pair them as described in the **Pairing a Bluetooth Enabled Device** section above.
3. Play your music on your mobile device and the sound will be heard through this unit.
4. The volume is controlled using the volume setting on your mobile device. You can also raise or lower the volume using the Volume + ② or - ① button on the speaker. Experiment for the best overall sound.
5. To pause the song playing, press the Power button ④. To resume playback, press the Power button ④ again.
6. You can operate the mobile device using its own controls as per its owner's manual.
7. To turn off the unit, press and hold the Power button ④ until the indicator turns off and a series of beeps sound.

NOTE: When the volume is at the maximum or minimum level and the Volume + ② or - ① button is pressed, the orange indicator will blink.

HANDLING PHONE CALLS



1. With the mobile device paired and the speaker on, when you receive a phone call, the music will pause and you will hear your ring tone on this speaker.
2. Press the ③ button to answer the call and you will utilize the speaker (and built-in microphone) to take the call.
3. When done, press the ③ button again to end the call.

NOTE: If the phone rings and you do not want to answer, press and hold the ③ button and the call will be declined and the music will continue.



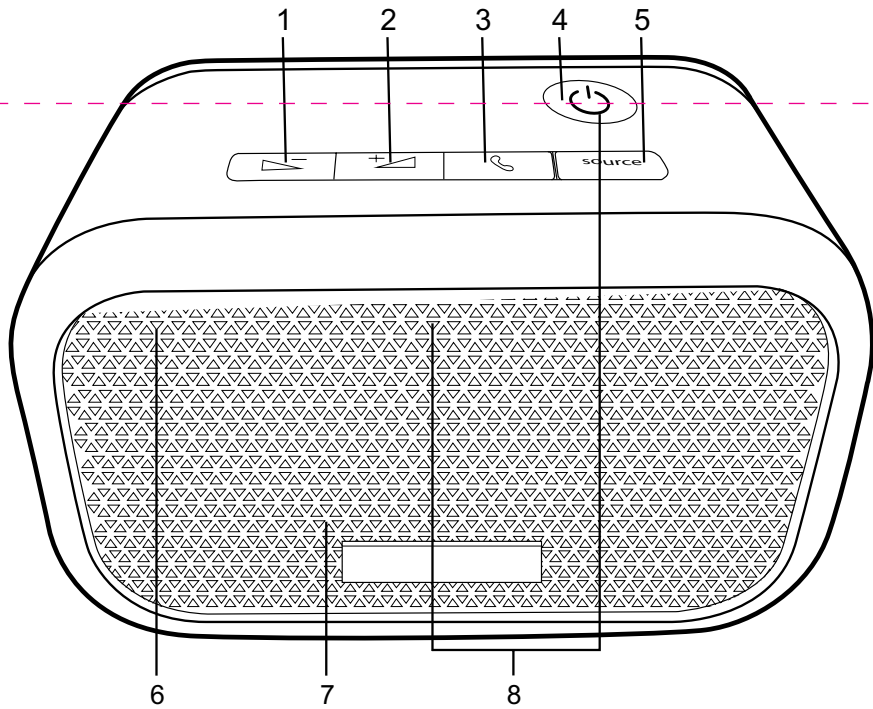
OPTIONAL CONNECTIONS: LINE IN JACK (REAR OF UNIT)

• Insert one end of the audio cable (not included) into the LINE OUT jack on your external audio unit and the other end into the Line In jack 9 on the rear of this unit. To listen to the external audio unit, turn this unit on by pressing and holding the Power button 4 until the indicator lights and turn on the external unit as well. Repeatedly press the Source button 5 to select LINE IN mode; the indicator will light purple. The external audio unit's output sound will be heard through this unit's speaker. If you wish to listen to the Bluetooth enabled mobile device, press the Source button 5 to select Audio Device mode; the indicator will light orange (or blue if not paired).

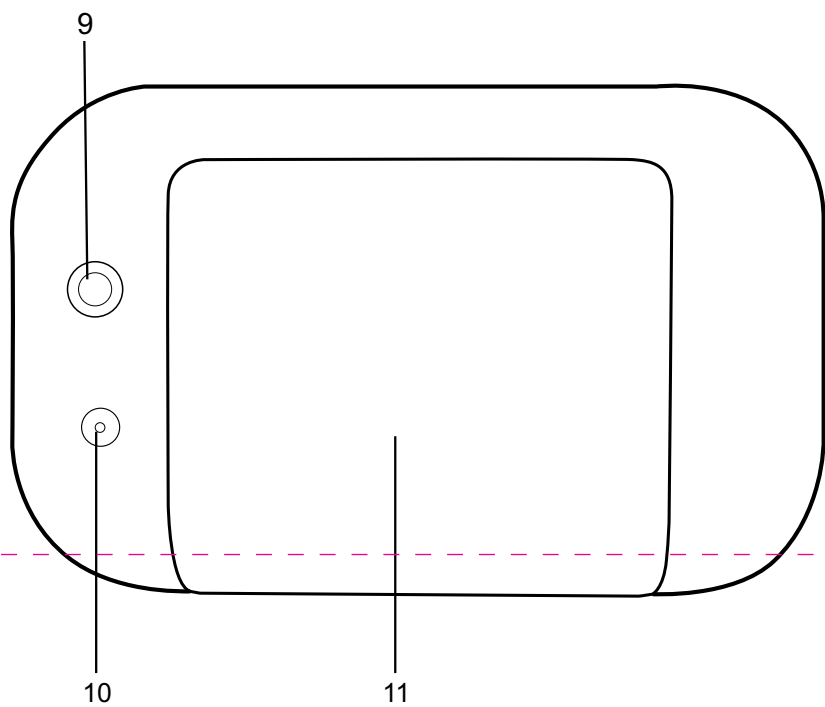
NOTE:

When the volume is at the maximum or minimum level and the Volume + 2 or - 1 button is pressed, the purple indicator will blink. To turn off the unit, press and hold the Power button 4 until the indicator turns off and a series of beeps sound.

LOCATION OF CONTROLS



1. Volume - Button
2. Volume + Button
3. Button
4. Power Button
5. Source Button (Audio Device/Aux In)
6. Microphone
7. Speaker
8. Indicator (Source/Power /Pairing)



9. Line In Jack
10. DC In 5V Jack
(AC Adapter Part No. E18-00745-01*)
11. Battery Compartment
(Battery Compartment Cover Part No. P14-00262-01*)

*For consumer replaceable part(s), verify part number(s) then contact our parts and accessories fulfillment center at: 1-800-379-8439.

TROUBLESHOOTING

SYMPTOM	CAUSE	SOLUTION
No sound.	Volume is set to minimum.	Increase volume.
	Power is not on.	Press and hold the Power button to turn the unit on.
Bluetooth mode: no sound.	Batteries are weak or dead.	Replace batteries.
	Unit is in Aux mode.	Press the Source button to select correct mode.
	Unit is not paired.	Pair unit (see the Pairing a Bluetooth enabled Mobile Device section).

SPECIFICATIONS

GENERAL:

Power Source (AC)DC 5V Adapter (Center Positive)
 Power Source (DC)..... 4 "AAA" size 1.5V Batteries
 Speaker..... 2 x 4 ohm
 Output Power 2 x 1W
 Weight......5.5 oz
 Dimensions..... 4 (W) x 2.4 (D) x 2.5 (H) inches

Specifications are subject to change without notice.

For additional setup or operating assistance, or an electronic version of the MA3911MS user guide, please visit www.memorex.com

For consumer replaceable part(s), verify part number(s) then contact our parts and accessories fulfillment center at: 1-800-379-8439

Imation Enterprises Corp.
 1 Imation Way, Oakdale, MN 55128-3414 USA
www.memorex.com
 © Imation Corp.
 Memorex and the Memorex logo are trademarks of Imation Corp. and its affiliates.

All other trademarks are property of their respective owners.

73952100A

Free Manuals Download Website

<http://myh66.com>

<http://usermanuals.us>

<http://www.somanuals.com>

<http://www.4manuals.cc>

<http://www.manual-lib.com>

<http://www.404manual.com>

<http://www.luxmanual.com>

<http://aubethermostatmanual.com>

Golf course search by state

<http://golfingnear.com>

Email search by domain

<http://emailbydomain.com>

Auto manuals search

<http://auto.somanuals.com>

TV manuals search

<http://tv.somanuals.com>