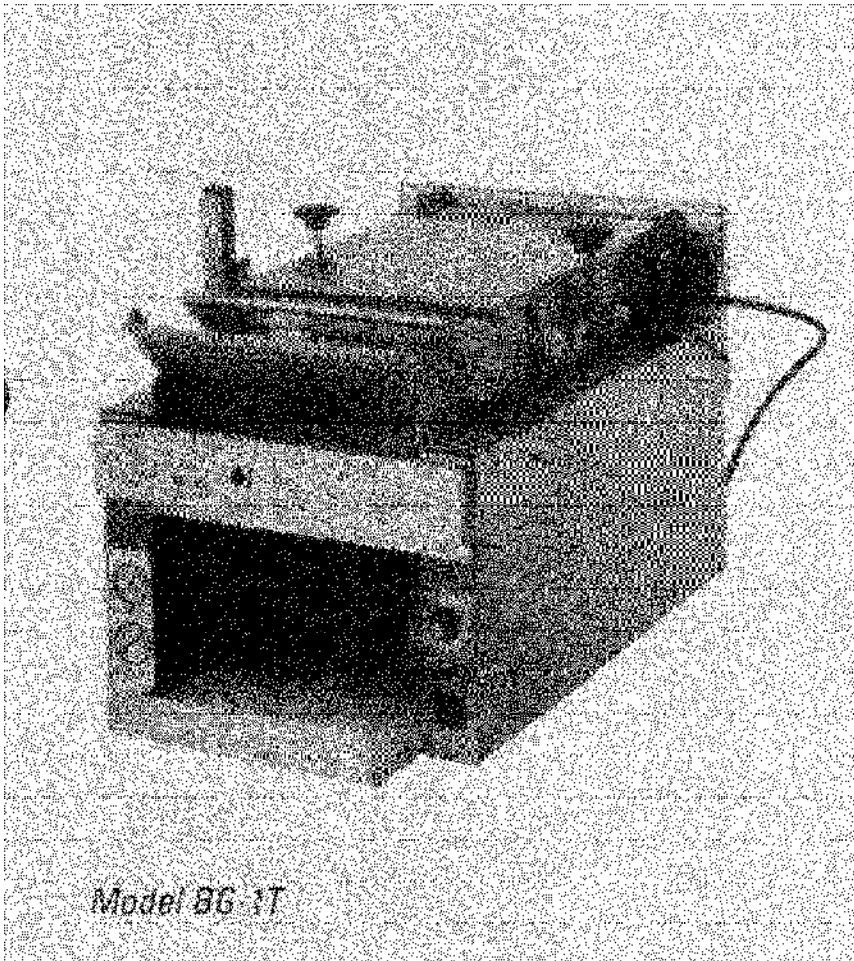


## INSTALLATION & OPERATION MANUAL for the BG-1T Horizontal Conveyor Grilling Toaster



The BG-1T Horizontal Conveyor Grilling Toaster is capable of one-sided toasting of a variety of bread products such as: buns, Texas toast, etc..

The BG-1T has two 5" wide conveyor belts. These two conveyor belts are offset  $\frac{1}{4}$ " to accommodate the difference in thickness between bun crowns and heels.

Set the variable conveyor speed control to desired setting and operation is nearly automatic. A convenient loading ramp is equipped with all models.

**NOTE:** This manual contains important safety, Installation & Operation Instructions. Require all operators to read this manual before using this unit. Failure to follow the instructions contained in this manual may cause injury, damage to the unit, and will void the warranty.

**THIS MANUAL SHOULD BE RETAINED FOR FUTURE USE**

## WARNING

This unit must be plugged into the proper voltage which is specified on the data plate located on the back panel of this unit. Use of any other voltage or altering of plug will damage unit, void warranty and may cause injury.

## BEFORE INSTALLATION

**NOTE:** Upon receipt of this unit, immediately unpack and inspect for possible concealed shipping damage. If unit is found to be damaged, save all packing materials and contact your delivery carrier within 5 days. Refer to "Shipping Damage Instructions" enclosed for detailed instructions. Failure to follow these instructions will negate Merco/Savory's or your ability to file claims and receive compensation for shipping damage.

## INSTALLATION INSTRUCTIONS

Install BG-1T units in the most convenient location for ease of cleaning, maintenance and general operation. Avoid installing in locations with drafts, close proximity to grease or vapor-producing appliance or other high ambient heat equipment. Allow approximately 1" clearance on back and sides of unit for proper air circulation. Allow sufficient overhead clearance at front of unit for proper platen functioning.

**Receiving Pan/Delivery Chute Installation:** as the receiving pan is installed first. Tilt the pan so that the back end slides along the bottom of the opening and passes under and behind the two pins (**Figure B**). With the pan resting flatly on the bottom of opening, gently pull toward you until back is stopped by the pins (**Figure C**). The delivery chute should now be installed through the same opening. Hold the delivery chute so that the notches are closest to you and down. Insert the chute into the cavity up and over the pins until the notches rest directly on the pins. The other end of the delivery chute will rest on the motor housing at the rear of the toaster cavity (**Figure D**).

**Loading Ramp Installation:** Locate the two protruding pins on the toaster (one on each side of the front portion of the toaster). Position the loading ramp so that the notches on the ramp slide over these pins and lock into place (**Figure E**).

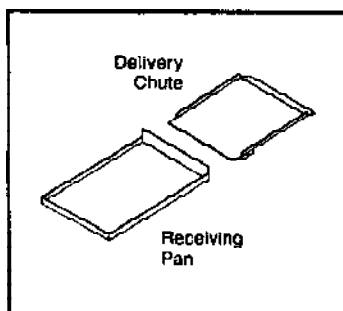


Figure A

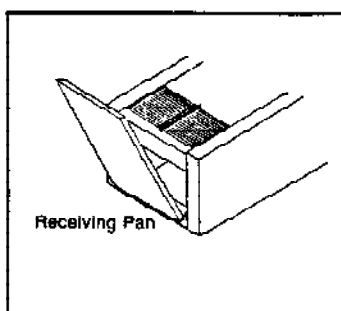


Figure B

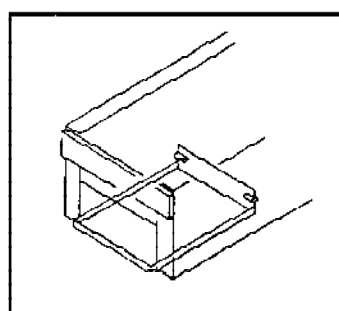


Figure C

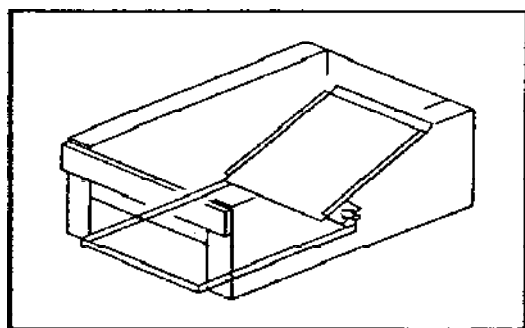


Figure D

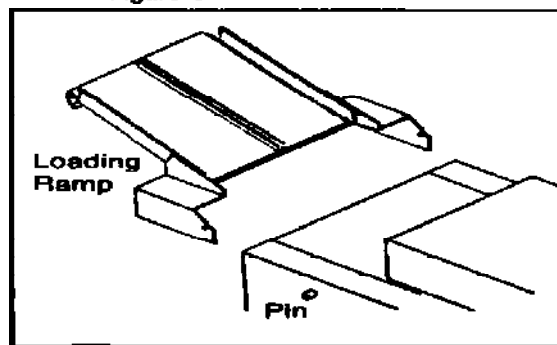


Figure E

# CONTROL PANEL FEATURES

1. **Main Power On/Off Switch** – supplies power to the toaster.
2. **Power Indicator Light** – this red light will illuminate when heating element is energized. Main Power Switch must be in the “ON” position.
3. **Conveyor Speed Control** – regulates the speed of the conveyor belt. Rotate this control to a higher number to increase the speed of the conveyor belt. Rotate to a lower number to decrease speed of the conveyor belt.

## OPERATION INSTRUCTIONS

1. Set **Main Power On/Off Switch** to the “ON” position. Red Power Indicator Light will illuminate.
2. Set **Conveyor Speed Control** for desired setting.
3. **PRE-HEAT FOR 30 MINUTES.**
4. After pre-heat period has elapsed, load product on loading ramp. Make sure that the **CROWNS** are placed on the right side of the conveyor belt and the **HEELS** are placed on the left side of the conveyor.  
**ALWAYS PUT CUT SIDE OF BUN FACING THE PLATEN SURFACE.**
5. If the product you are toasting is too light, decrease the speed of the conveyor belt. If the product is too dark, increase the speed of the conveyor belt.

## CLEANING INSTRUCTIONS

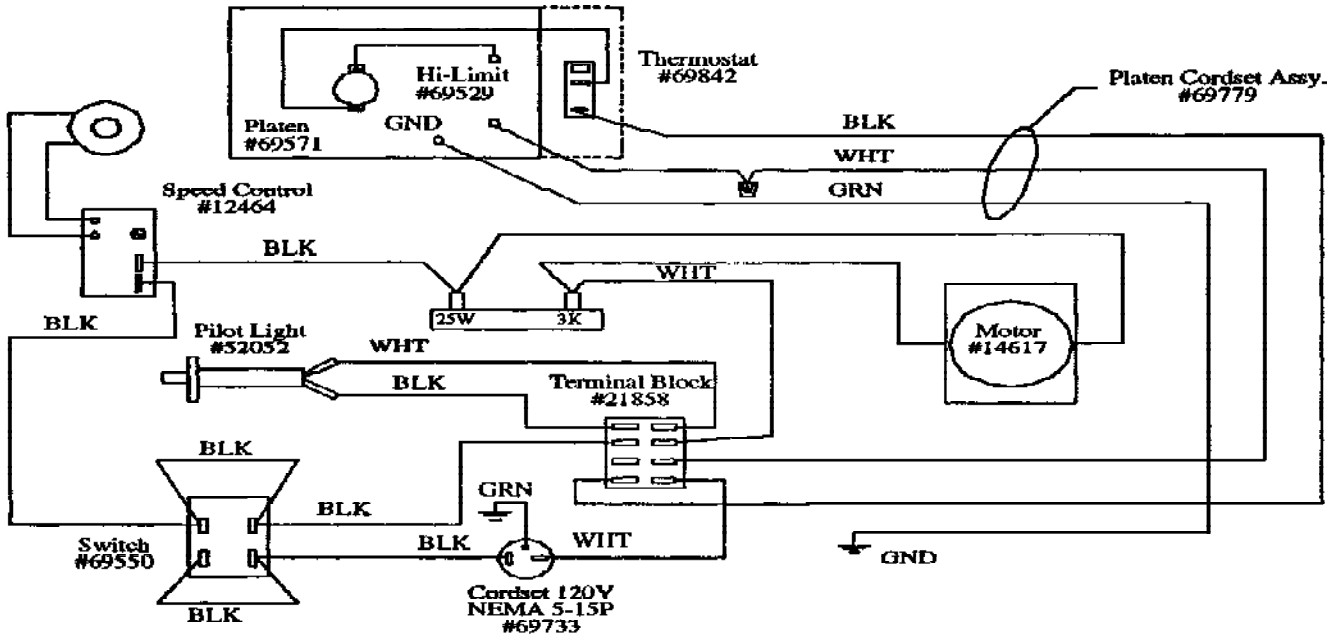
**CAUTION: UNPLUG UNIT AND ALLOW PLATEN TO COOL BEFORE CLEANING.**

1. Do not use product such as steel wool on any part of the toaster.
2. The BG-1T conveyor grilling toaster is designed for easy cleaning. The lustrous outer surfaces need nothing more than a daily wiping with a soft, damp cloth.
3. Daily cleaning of Platen and coated Platen Sheets: After platen has cooled thoroughly, remove the coated platen sheet. Wipe the sheet with a soft, damp cloth and dry thoroughly. Lay coated platen sheet flat. Do not crinkle. With platen in the upright position, scrub with an abrasive plastic pad (i.e. ScotchBrite) until platen is “sparkly” clean.
4. Daily cleaning of conveyor belt: With the conveyor belt running, use a stiff bristled brush (NOT METAL) and with side to side motion, brush away any crumbs that may be present.

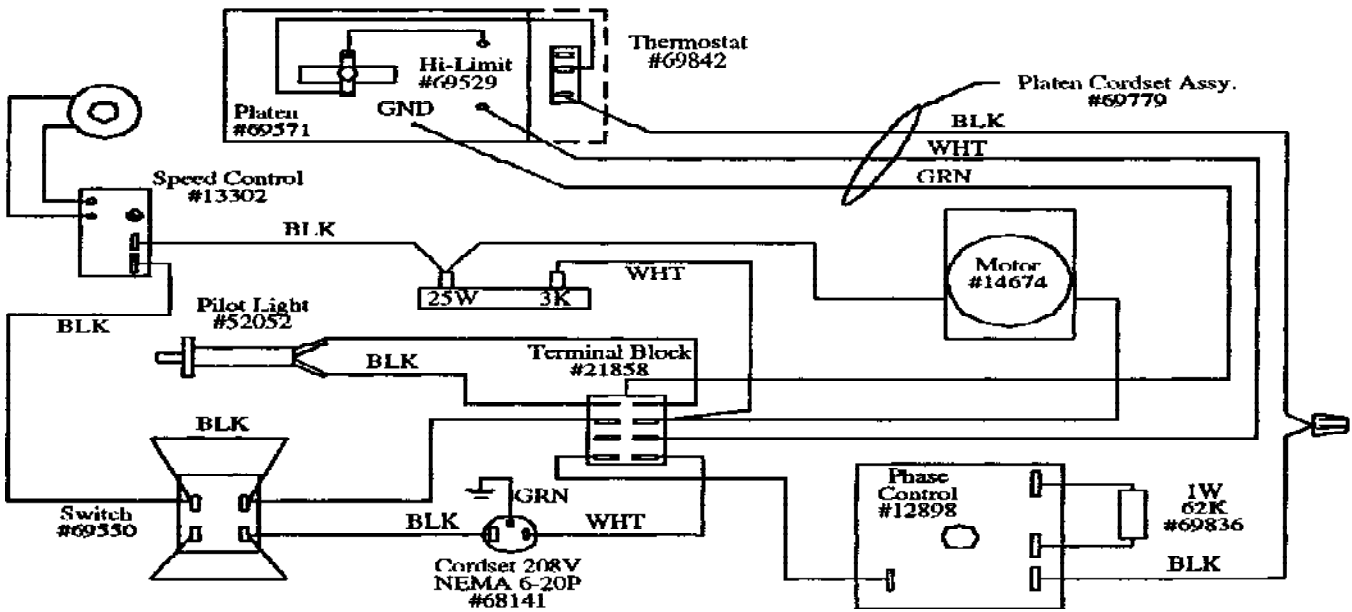
## ELECTRICAL SPECIFICATIONS

<b>Voltage (Volts AC)</b>	<b>Amperage (Amps)</b>	<b>Frequency (HZ)</b>	<b>Phase</b>	<b>Cord (Supplied)</b>	<b>Plug (Supplied)</b>
120	12.6	50/60	1	6'	NEMA 5-15P
208	15.0	50/60	1	6'	NEMA 6-20P

## BG-1T WIRING DIAGRAM 120V



## BG-1T WIRING DIAGRAM 208V



# Merco Savory

Enodis

1111 N Hadley Rd.  
Fort Wayne, In 46804  
Tel. 800-701-2992  
Fax (260) 436-0735 [www.mercosavory.com](http://www.mercosavory.com)

## Free Manuals Download Website

<http://myh66.com>

<http://usermanuals.us>

<http://www.somanuals.com>

<http://www.4manuals.cc>

<http://www.manual-lib.com>

<http://www.404manual.com>

<http://www.luxmanual.com>

<http://aubethermostatmanual.com>

Golf course search by state

<http://golfingnear.com>

Email search by domain

<http://emailbydomain.com>

Auto manuals search

<http://auto.somanuals.com>

TV manuals search

<http://tv.somanuals.com>