

SR-10K

Mag-Stripe Access System

Users Guide



Table of Contents

<u>Section</u>	<u>Page</u>
Overview	3
Quick Start and Configuration Planning	5
Programming Guide	6
Operating Mode Specifications	10
Mode 1: Basic Access Control with Door Monitoring	10
Mode 2: Restricted Access Control with Door Monitoring	11
Mode 3: Access Control and Alarm Panel Control	12
Mode 4: Restricted Access and Alarm Panel Control	13
Mode 5: "Supervisor" Controlled Restricted Access	14
Mode 6: "Two Door" Access Control	14
Mode 7: Access Control with "Door Bell" Feature	15
Mode 8: Dual Output Toggle on Valid Access	15
Installation	16
Maintenance	17
Specifications	17
Dimensions and Typical Configuration Diagrams	18
Addendum: Revision C Circuit Board Dimensions	19

This device complies with part 15 of the FCC Rules. Operation is subject to the following two conditions: (1) This device may not cause harmful interference, and (2) this device must accept any interference received, including interference that may cause undesired operation.

Mercury Security Corporation

2355 MIRA MAR AVE. LONG BEACH, CA 90815-1755
(562) 986-9105, FAX (562) 986-9205
www.mercury-security.com

Description

The SR-10K is a complete stand-alone access controller, using either magnetic-stripe cards or cipher (keypad) codes for identifying valid users.

The Card Reader with Keypad and the Interface Module are the SR-10K system's major components. Separating the door control and other interface connections not only simplifies the installation, but it greatly improves security by placing the door strike relay inside the protected area.

The SR-10K offers unparalleled versatility in its class. The investment an installer makes in learning the SR-10K is greatly rewarded by the number of different applications that can be solved by the SR-10K.

And certainly not least, unlike other strictly stand-alone access controllers, the SR-10K supports expansion to multiple readers at a site.

Programming

A Master Card places the SR-10K into programming mode. Commands are entered via the keypad on the SR-10K reader. In some cases the entry of user cards may also be required. A buzzer and two bicolor LEDs provide immediate feedback to the operator.

Card Database Options

The SR-10K supports three different card database modes:

1 - **RANDOM** mode, supports **up to 100 users** (factory default):

This mode allows the use of any magnetic stripe card with standard 'track-2' encoding, such as the 'MS-SR10CC25', pre-encoded packs of 25 cards, or cards from many other access systems, or even bank cards.

Cards are added into 'user slots' by reading the card at the time of enrollment. Individual or a block of 'user slots' may be deactivated.

2 - **BLOCK** mode, supports **up to 1,600 users**:

This database mode requires that all cards are encoded as a set. (Block orders are typically shipped within a week of the order). Add-on orders can specify an existing block number and a continuation point. The activation and deactivation of block cards may be done without the cards and may be performed either individually or in blocks.

3 - **'FACILITY CODE'** mode, there is **no limit to the number of users** supported, since the SR-10K is not checking for a unique code:

This mode is useful for low security applications where access cards are already in use. The number of leading card digits to check is configured from zero to 9 digits. Setting the number of card digits to check to 'none' causes the SR-10K to accept any magnetic stripe card as a valid user- also known as the ATM Mode, used to accept 'any bank card'.

An additional setting allows the SR-10K to skip up to 15 card digits before assembling the facility code. This feature is used in case the facility code does not start at the beginning of the card.

OVERVIEW, continued

Cipher Codes

The SR-10K supports up to 10 cipher codes. Each code is one to six digits in length - shorter codes are terminated with the '#' key. Cipher codes, like cards, are assigned a User Level, and like cards, may cause different output relay action depending on the direction of the code entry. See the next two sections for more details.

User Levels

Each card and cipher code is assigned a User Level from 1 to 3. The User Level, along with the selected Operating Mode, determines the result of the card or cipher entry. For example, Level 1 users cannot activate the door relay in some modes unless an input sees a closed contact.

Operating Modes

The versatility of the SR-10K is based on its ability to configure the function of its inputs and relays to suit different applications.

The action performed on the door strike relay, for example, depends on the direction of the card (or cipher code) entry, on the User Level, and possibly on the state of one of the inputs. In addition, the color of the upper reader LED may display the status of an external device connected to an input, such as an alarm panel's armed/disarmed indicator.

An Operating Mode is a collection of these functions intended for a specific application. The Operating Modes are described in detail later in this document.

Multi-Reader Sites

Up to 16 SR-10K's may be linked via a '2-wire' cable. Configuration, card, and cipher code database settings can all be made at just one reader and copied to other SR-10K's using simple keypad commands. Modifications can still be made at each reader in cases, for example, where the databases are not identical at every reader.

The data link uses the RS-485 interface standard, allowing the total cable run to extend up to 4,000 feet. The devices must be connected in a 'daisy-chain' configuration. Install the RS-485 termination jumper, J4, on the first and last units only.

This unique feature bridges the gap between complex computer-based integrated access systems and the simpler, individually programmed stand-alone access controllers.

Additional Information

1. The LED's on the interface board are defined as:
 - A = Heartbeat and reader status: Fast flash: normal. Slow flash: Reader communication lost.
 - B = Flashes when there is activity on the RS-485 communication bus.
2. Jumper J3: not used.

Quick Start and Configuration Planning

Quick Start

The factory default setting enables the SR-10K to be used immediately, without any further programming, using the 10 cards shipped with the unit. The database is set to Random Mode, and the cards are enrolled as Level 1 users in slots 01 through 10.

Additional cards are enrolled using Command 10, and Cipher codes may be added using Command 15. Command 32 sets the door strike relay pulse time.

Configuration Planning

The most important selections are the Card Database Mode and the Operating Mode.

Card Database Mode Selection (Command 93)

The 'Random' Database Mode offers great versatility because it allows the use of just about any magnetic stripe card. Leave the SR-10K in this mode if the number of users will not exceed 100.

On the other hand, select the 'Block' Card Database Mode right away if the number of users may exceed 100, because changing database modes deletes all current entries.

Operating Mode Selection (Command 95)

Select the operating mode best suited to the particular site by evaluating the User Level functions, the input and auxiliary output functions of each available operating mode. The selected operating mode determines the installation wiring details and User Level assignment.

Lost Master Card

Follow the steps outlined below to set a new Master Card in case the current Master Card is lost:

- remove power from the SR-10K
- install the jumper in position 8
- apply power for a few seconds, then remove it
- remove the jumper from position 8
- apply power to the SR-10K: the old Master Card has been erased!
- add the Master Card using Command 91

(With no valid Master Card, the SR-10K remains in the Programming Mode with the lower LED set to amber, until a Master Card is set. In fact, only Command 91 is accepted until the new Master Card is set.)

Interpreting the LED and Buzzer Indicators

Normal operation - the upper LED is ON steady red or green:

The lower LED flashes green briefly following the entry of a valid card or cipher code. A red flash along with three short beeps indicate an invalid entry attempt.

Programming mode - the lower LED is ON steady green (amber if no Master Card)

The upper LED is OFF if the SR-10K is ready for a new command (wait for '*' key)

The upper LED flashes red while waiting for keypad data entry, and is flashing green while waiting for card entry.

A single beep echoes a key entry, a double beep indicates the completion of a 'field' (each line on the command spec section is a field). Three beeps indicate an error condition. A long beep indicates proper completion of a command.

SR-10K Programming Guide

The **COMMAND ENTRY MODE** is selected by passing a valid **MASTER** card through the reader. The intergral keypad allows direct data entry on the SR-10K.

The "*" key is used to start a new command entry. The '#' key terminates field entry. For example, selecting user slot 3 for the the 4-digit user slot entry in Command 20 can be entered as 4 digits: '0','0','0','3', or it may be entered as '3', '#'.

A **single short beep** indicates the acceptance of a digit, a **double beep** indicates the acceptance of a field. **Three short beeps** indicate that the command aborted due to an error. One **long beep** indicates succesful completion.

RANDOM and Facility Code Database Mode Commands (Commands 10 through 13)

Use these commands to manage the card holders if the RANDOM database mode was selected Command 93 set to mode "0" - **this mode is the facory default.**

Command 10 - Add card(s)

- | | |
|-------------|--|
| * 1 0 | - select Command 10 |
| 1-3 | - select the user level: 1, 2, or 3 |
| 0-9 0-9 | - select the user number: 00 to 99 |
| user card | - read the card to be added in that slot |
| (user card | - additional cards will be added into successive slots) |
| * 0-9 # | - any other action quits the "add loop" |

Command 11 - Delete a card, using the user slot

- | | |
|---------|------------------------------------|
| * 1 1 | - select Command 11 |
| 0-9 0-9 | - select the user number: 00 to 99 |

Command 12 - Delete a card, using the card

- | | |
|-----------|--|
| * 1 2 | - select Command 12 |
| user card | - read the card to be deleted from that slot |

Command 13 - Delete a range of cards

- | | |
|---------|--|
| * 1 3 | - select Command 13 |
| 0-9 0-9 | - select the first user number to delete: 00 to 99 |
| 0-9 0-9 | - select the last user number to delete: 00 to 99 |

CIPHER CODES Related Commands (Commands 15 through 17)

Up to 10 cipher codes may be defined (user slots 0 through 9). Each cipher code may be from 1 to 6 digits long. Cipher codes shorter than 6 digits are terminated with the "#" key. Just like cards can produce different results when read "upward", cipher codes can be entered in the "reverse" direction. For example, cipher code "123" entered as "3", "2", "1", "#" will produce the action specified for "reverse" entry of a user having the User Level assigned to cipher code "123".

Command 15 - Add Cipher Code(s)

- | | |
|--|--|
| <input type="text" value="*"/> <input type="text" value="1"/> <input type="text" value="5"/> | - select Command 15 |
| <input type="text" value="1-3"/> | - select the user level: 1, 2, or 3 |
| <input type="text" value="0-9"/> | - select the user number: 0 to 9 |
| <input type="text" value="0-9"/> (<input type="text" value="0-9"/>) <input type="text" value="#"/> | - enter a 1 to 6 digit cipher code, end with '#' |
| (<input type="text" value="0-9"/> <input type="text" value="0-9"/> <input type="text" value="#"/>) | - additional codes will be added into successive slots) |
| <input type="text" value="*"/> <input type="text" value="#"/> | - any other action quits the 'add loop' |

Command 16 - Delete a cipher code

- | | |
|--|--|
| <input type="text" value="*"/> <input type="text" value="1"/> <input type="text" value="6"/> | - select Command 16 |
| <input type="text" value="0-9"/> | - select the user number to delete: 0 to 9 |

Command 17 - Delete a range of cipher codes

- | | |
|--|--|
| <input type="text" value="*"/> <input type="text" value="1"/> <input type="text" value="7"/> | - select Command 17 |
| <input type="text" value="0-9"/> | - select the first user number to delete: 0 to 9 |
| <input type="text" value="0-9"/> | - select the last user number to delete: 0 to 9 |

BLOCK Database Mode Commands (Commands 20 through 23)

Use these commands to manage the card holders if the BLOCK database mode was selected (Command 93 set to mode "1"). The block number is set by Command 94.

Command 20 - Add a card (activate a user)

- | | |
|---|---|
| <input type="text" value="*"/> <input type="text" value="2"/> <input type="text" value="0"/> | - select Command 20 |
| <input type="text" value="1-3"/> | - select the user level (1, 2, or 3) |
| <input type="text" value="0-1"/> <input type="text" value="0-9"/> <input type="text" value="0-9"/> <input type="text" value="0-9"/> | - enter the user slot to activate (0000 through 1599) |

Command 21 - Delete a card (deactivate a user)

- | | |
|---|---|
| <input type="text" value="*"/> <input type="text" value="2"/> <input type="text" value="1"/> | - select Command 21 |
| <input type="text" value="0-1"/> <input type="text" value="0-9"/> <input type="text" value="0-9"/> <input type="text" value="0-9"/> | - enter the user slot to deactivate (0000 through 1599) |

Command 22 - Add a range of cards (block activate)

- | | |
|---|---|
| <input type="text" value="*"/> <input type="text" value="2"/> <input type="text" value="2"/> | - select Command 22 |
| <input type="text" value="1-3"/> | - select the user level (1-3) |
| <input type="text" value="0-1"/> <input type="text" value="0-9"/> <input type="text" value="0-9"/> <input type="text" value="0-9"/> | - enter the first user slot to activate (0000 through 1599) |
| <input type="text" value="0-1"/> <input type="text" value="0-9"/> <input type="text" value="0-9"/> <input type="text" value="0-9"/> | - enter the last user slot to activate (0000 through 1599) |

Command 23 - Delete a range of cards (block deactivate)

- | | |
|---|---|
| <input type="text" value="*"/> <input type="text" value="2"/> <input type="text" value="3"/> | - select Command 23 |
| <input type="text" value="0-1"/> <input type="text" value="0-9"/> <input type="text" value="0-9"/> <input type="text" value="0-9"/> | - enter the first user slot to delete (0000 through 1599) |
| <input type="text" value="0-1"/> <input type="text" value="0-9"/> <input type="text" value="0-9"/> <input type="text" value="0-9"/> | - enter the last user slot to delete (0000 through 1599) |

Configuration Settings (Commands 31 through 34)

Command 31 - Set the Door Held Open Time

- select Command 31 (from door opening to held open alarm)
 - select the held open time: 00 to 99 seconds

Command 32 - Set the Door Strike Relay Pulse Time (Output K1)

- select Command 32
 - select the strike pulse time: 00 to 99 seconds (+1/2 second)

Command 33 - Set the Auxiliary Relay Pulse Time (Output K2)

- select Command 33
 - select the pulse time for Output K2: 00 to 99 seconds (+1/2 second)

Command 34 - Set the Auxiliary Relay's Pulse Time (Output K2)

- select Command 34
 - select the pulse type: 1 for normal, 2 for intermittent output

Configuration and Database Copy Commands (Commands 41 through 44)

The following commands allow the configuration and database to be copied from one SR-10K to another SR-10K. These commands transfer the selected database elements from the SR-10K where the command is being entered to the SR-10K whose address is specified in the command.

The SR-10K addresses are set by installing the jumper pattern for the desired address on the Interface Module as shown on the installation diagram.

The color of the upper LED is set to flashing amber for the duration of the data transfer. Periodic short beeps are used by longer transfers to indicate "transfer in progress". The transfer of the entire "block mode" card database (1,600 users) may take up to 1 minute.

The completion of a successful transfer is indicated with the "long-beep". A transfer error condition is signalled with three short beeps along with a red flash on the upper LED. A transfer error is caused by either incorrect wiring, or by incorrect jumper settings. Notice: the transfer commands are not 'broadcast'; each SR10K must be set to a unique address 0 to 15.

Command 41 - Copy the Configuration settings only - no card or cipher databases

- select Command 41 (copies settings entered with commands 31-34, and 91-95)
 - select the address of the SR-10K to copy the data to - 00 to 15

Command 42 - Copy the Cipher Database only

- select Command 42 - copies cipher users 0 through 9
 - select the address of the SR-10K to copy the data to - 00 to 15

Command 43 - Copy the Card Database only

- select Command 43 - copies users 00 through 99, or through 1599
 - select the address of the SR-10K to copy the data to - 00 to 15

Command 44 - Copy ALL: Configuration Settings, Card and Cipher databases

- select Command 44 - combines Commands 41, 42, and 43
 - select the address of the SR-10K to copy the data to - 00 to 15

System Configuration Settings (Commands 91 through 95)

Command 91 - Set a New MASTER Card

- select Command 91
- select which Master Card to change: 1 or 2
- read the card to set as the new Master Card

Usage notes:

- 1 - The second Master Card slot is provided for administrative convenience in cases where the owner does not wish to maintain the user database: The owner may retain one Master Card and allow the installer to enroll his card as Master Card 2, thereby letting the installer update the configuration without having to get the owner's Master Card.
- 2 - Multiple SR-10K's may be set to the same Master Card

Command 92 - Delete MASTER Card 2

- select Command 92: deletes Master Card 2

Command 93 - Set the Database Mode

- select Command 93
- select the database mode: 0 = Random, 1 = Block, 2 = Facility Code, 3 = Facility Code with Offset (Skip [n] digits)
- (- only if Facility Code modes: number of Facility Code digits to check)
- ((- only if Facility Code with Offset: number of digits to skip - 00 to 15 ok))

Usage notes:

- 1 - Changing the card Database Mode clears the card database.
- 2 - Commands 10 through 13 are used with the Random and Facility Code Database Modes
- 3 - Commands 20 through 23 are used with the Block Database Mode
- 4 - The Block Number (Command 94) must be set for Block Database Mode operation.
- 5 - In Facility Code Database Mode, the digit count specifies the the number of card digits to read and verify. For example, setting the count to '3', the SR-10K uses only the first 3 digits on the card. Further, setting the count to '0', the SR-10K will accept any properly encoded card, regardless of the actual data on the card - this configuration is also called the 'ATM Mode'.
In the 'ATM Mode', at least one card must be enrolled in the database. Use command 10 to enroll a card.
- 6 - In Facility Code Database Mode, one card must be enrolled for each 'facility code' that is to be accepted. The cards are enrolled using Command 10.

Command 94 - Set the Block Number

- select Command 94 - required to set if Block Database Mode is used
- enter any user card from the current block

Command 95 - Set the Operating Mode

- select Command 95: determines input/output and user level functions
- select the Operating Mode: 01 through 06 (see manual for details)
- 01 - Basic access control with door alarm monitoring
 - 02 - ...like mode 01, denies User Level 1 based on input contact
 - 03 - Access control with pulsed auxiliary output control (alarm panel)
 - 04 - ...like mode 03, restricts User Level 1 based on input contact
 - 05 - Access control with toggled auxiliary output control
 - 06 - Two-door control
 - 07 - "Door Buzzer" option: *, or #, or REX pulses Output K2
 - 08 - "Dual Output" toggle with restricted access of Level 1 users

Operating Mode 01: Access Control with Door Monitoring

Description

Access Control with Door Monitoring provides for basic access control and door use annunciation.

A downward read of all valid User Cards pulse Output K1, the strike control relay.

The upward read of a Level 2 card toggles the strike control relay, in effect performing a lock/unlock function. The upward read of a Level 1 card will release an unlocked condition.

Output K2 is pulsed to annunciate improper door use, such as

- a) Forced Open condition, which occurs if the door opening was not preceded by the use of a valid card or an exit request, or
- b) Held Open condition, which occurs if the door is kept open longer than the preset open time.

User Level Specifications

User Level 1

- A downward read will pulse Output K1 (no effect if the door is unlocked).
- A upward read will turn off Output K1, ending an unlocked condition.

User Level 2 (and 3)

- A downward read will pulse Output K1 (no effect if the door is unlocked).
- A upward read will toggle the state of Output K1, locking or unlocking the door.

Configuration

Input assignments:

- Input I1 is connected to a door contact: closed contact signifies a closed door.
- Input I2 is connected to a "request to exit" button. Closing the contact initiates the request.

Upper LED assignment:

- The upper LED follows Output K1, the strike control output. Normally RED, the LED turns GREEN when the door strike is energized (either the timed, or unlocked).

Notes

This mode is the factory set default. It represents the "classic" access controller model due to the implementation of the door contact and the request to exit sensors and the door alarm annunciator relay.

The 10 cards included in the original shipment are enrolled as Level 1 users. Be aware, that if they are modified or any subsequent cards are added as **Level 2 users, an upward read will unlock the door** - requiring another upward read (by any user Level) to release the locked condition. Add Level 2 users only if the lock/unlock function is desired.

Operating Mode 02: Restricted Access Control with Door Monitoring

Description

Restricted Access Control with Door Monitoring restricts Level 1 user access based on the status of Input I2 and provides door use annunciation on Output K2.

Level 1 cards are accepted only if the Input I2 sees a closed contact. Level 2 or 3 cards are not dependent on Input I2.

A downward read of all valid User Cards pulse Output K1, the strike control relay.

The upward read of a Level 2 card toggles the strike control relay, K1, in effect performing a lock/unlock function. The upward read of a Level 1 card will release an unlocked condition.

Output K2 is pulsed to annunciate improper door use, such as

- a) Forced Open condition, which occurs if the door opening was not preceded by the use of a valid card or an exit request, or
- b) Held Open condition, which occurs if the door is kept open longer than the preset open time.

User Level Specifications

User Level 1

- A downward read will pulse Output K1 only if Input I2 is closed.
- A upward read ends an unlocked condition, regardless of the status of Input I2.

User Level 2 (and 3)

- A downward read will pulse Output K1 (no effect if the door is unlocked).
- A upward read will toggle the state of Output K1, locking or unlocking the door.

Configuration

Input assignments:

- Input I1 is connected to a door contact: closed contact signifies a closed door
- Input I2 is connected to the access control control contact, such as an external timer. User Level 1 cards are accepted only when a closed contact is presented to this input.

Upper LED assignment:

- The upper LED follows Input I2, the Access Control Input:
 - Open Contact is displayed as RED
 - Closed Contact is displayed as GREEN.

Notes

This mode is very similar to Operating Mode 1. The same caution should be observed regarding the ability to permanently unlock the door:

The 10 cards included in the original shipment are enrolled as Level 1 users. Be aware, that if they are modified or any subsequent cards are added as **Level 2 users, an upward read will unlock the door** - requiring another upward read (by any user Level) to release the locked condition. Add Level 2 users only if the lock/unlock function is desired.

Consider using Operating Mode 4 or 5 if restricted access is required, but the unlock function is not.

Operating Mode 03: Access Control and Alarm Panel Control

Description

The Access Control and Alarm Panel Control configuration provides for basic access control and gives some users the ability to send a pulse to arm and disarm alarm panels.

Both a downward and an upward read of all User Cards pulse Output K1, the strike control relay, to allow entry. In addition, the upward read of a Level 2 card pulses Output K2, allowing the **momentary closure to simulate a key-switch input** to an alarm panel.

User Level Specifications

User Level 1

- Both downward and upward read will pulse Output K1.

User Level 2 (and 3)

- A downward read will pulse Output K1
- An upward read will pulse both Output K1 and Output K2.

Configuration

Input assignments:

- Input I1 is connected to the armed/disarmed status output from the alarm panel.
- Input I2 is connected to a "request to exit" button. Closing the contact initiates the request.

Upper LED assignment:

- The upper LED follows Input I1, displaying the status of the alarm panel:
 - Open Contact is displayed as RED
 - Closed Contact is displayed as GREEN

Operating Mode 04: Restricted Access Control and Alarm Panel Control

Description

Restricted Access Control and Alarm Panel Control provides restricts Level 1 user access based on the status of Input I2 and it gives some users the ability to arm/disarm alarm panels.

Level 1 users are accepted only if Input I2 sees a closed contact. Level 2 or 3 users are not dependent on Input I2.

Both a downward and an upward read of all valid users pulse the strike control relay. In addition, the upward read of a Level 2 card pulses Output K2, allowing the momentary closure to simulate a key-switch input to an alarm panel.

User Level Specifications

User Level 1

Cards having this User Level are rejected if the contact on Input I2 is open. If the contact on Input I2 is closed:

- Both downward and upward read will pulse Output K1.

User Level 2 (and 3)

- A downward read will pulse Output K1, allowing entry.
- An upward read will pulse both Output K1 and Output K2.

Configuration

Input assignments:

- Input I1 is connected to the armed/disarmed status output from the alarm panel.
- Input I2 is connect to an external timer and functions as the access control input. User Level 1 users are valid only when a closed contact is presented to this input.

Upper LED assignment:

- The upper LED follows Input I1, displaying the status of the alarm panel:
 - Open Contact is displayed as RED
 - Closed Contact is displayed as GREEN

Operating Mode 05: "Supervisor" Restricted Access Control

Description

This mode allows Level 2 cards to toggle Output K2, which, connected back to Input I2, restricts Level 1 users. In this mode, Level 1 cards are accepted only if Input I2 sees a closed contact.

User Level Specifications

User Level 1

Cards having this User Level are rejected if the contact on Input I2 is open. If the contact on Input I2 is closed:

- A downward read will pulse Output K1.

User Level 2 (and 3)

- A downward read will pulse Output K1, allowing entry.
- An upward read will toggle Output K2.

Configuration

Input assignments:

- Input I1 is connected to the request to exit (REX) contact.
- Input I2 is connect to Output K2 and functions as the access control input. User Level 1 users are valid only when a closed contact is presented to this input.

Upper LED assignment:

- The upper LED follows Input I2, displaying the status of the access control input:
 - Open Contact is displayed as RED
 - Closed Contact is displayed as GREEN

Operating Mode 06: "Two-Door" Access Control

Description

This mode allows User Level 1 cards to activate Output K1, User Level 2 cards to activate Output K2, and User Level 3 cards to activate either Output K1 or Output K2.

User Level Specifications

User Level 1

- Both downward and upward read will pulse Output K1.

User Level 2

- Both downward and upward read will pulse Output K2.

User Level 3

- Downward read will pulse Output K1.
- Upward read will pulse Output K2.

Configuration

Input assignments:

- The inputs are not used in this mode.

Upper LED assignment:

- Output K1 off is displayed as RED,
- Output K1 on is displayed as GREEN

Operating Mode 07: Access Control with Door Buzzer Control

Description

Access Control with Door Bell Control operates just like Mode 1, with an additional feature for using Output K2 for annunciation.

This mode was created for applications where Output K2 is configured to drive a door bell/buzzer. A valid Level 1 user or a Request to Exit input activation will pulse Output K2 for about one second, creating the "buzz-in" sound.

Pressing the "*" or the "#" keys will act like a door bell. Pressing either "*" or "#" keys will cause a double pulse on Output K2, creating a sound pattern easily distinguished from the normal access or exit cycle.

Access by Level 2 users does not affect Output K2 - creating a "silent" entry.

Refer to Mode 1 description for full operational definition.

Operating Mode 08: Output Toggle on Valid Access

Description

This mode is intended for applications where the outputs need to be toggled, instead of the standard momentary pulse operation. Both outputs are toggled.

Level 1 users alter the outputs only if Input I2 sees a closed contact.

The upper LED reflects the state of the outputs.

User Level Specifications

User Level 1

- A read in either direction will toggle Output K1 and Output K2 only if Input I2 is closed. (The outputs are not affected if Input I2 is open)

User Level 2 (and 3)

- A read in either direction will toggle Output K1 and Output K2, regardless of the state of Input I2.

Configuration

Input assignments:

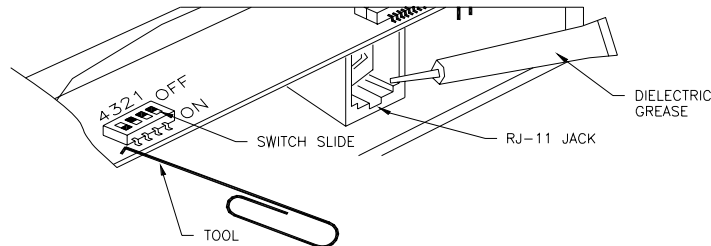
- Input I1 is not used.
- Input I2 is connected to the access control control contact, such as an external timer. User Level 1 cards are accepted only when a closed contact is presented to this input.

Upper LED assignment:

- The upper LED follows Output K1 (and Output K2):
 - Deenergized output is displayed as RED
 - Energized output is displayed as GREEN.

Installation

Find a suitable location to anchor the reader mounting bracket. The mounting of the reader does not require a junction box. However, rigid conduit is required for outdoor application. A single gang junction box may be used to provide transition to rigid conduit. If a single gang junction box is used, a wall plate (optional) may be used to cover the junction box. The reader is then secured to the mounting bracket using a screw. Refer to figures for reader dimensions and typical junction box usage. Connect door hardware/power according to the configuration selected. Wires of 22AWG or larger are recommended for field wiring. See local electrical code.

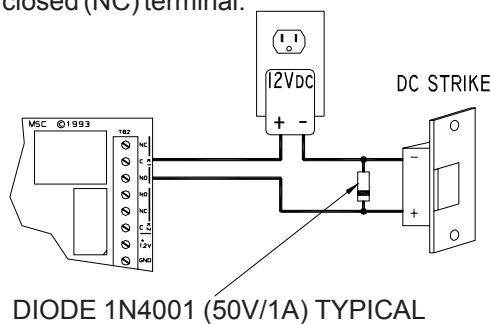


Coat reader connector with the silicone grease supplied to seal off moisture for outdoor mounting. To avoid having ESD (electrostatic discharge) interfering with the operation of the reader, the reader casing shall be grounded. This can be accomplished by tying the mounting bracket to earth ground locally (e.g. grounded conduit).

Reader DIP switch setting: 4 3 2 1 Factory Preset.
OFF OFF OFF ON

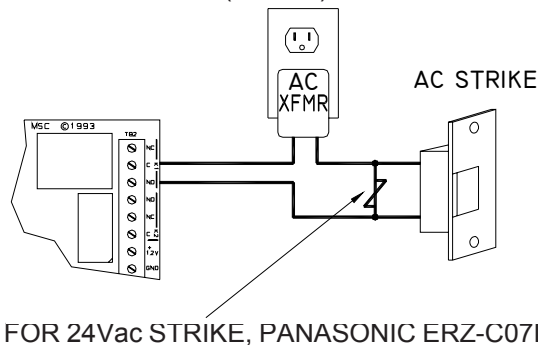
Relay Contact Protection/Noise Suppression

Load switching can cause contact transfer, welding, and abnormal wear, which can cause premature contact failure. The switching of an inductive load (strike) can also cause EMI (electromagnetic interference). To prolong contact life and increase total system reliability, contact protection circuit must be used. The following two circuits are recommended. For DC application, use a diode circuit; for AC application, use a MOV (metal oxide varistor) circuit. Locate the protection circuit as close to the load as possible, as the effectiveness of the circuit will decrease if it is located too far away. As a guideline, the distance should be within 12 inches (30 cm). Mag Locks may have internal noise suppression, please refer to the manufacturer's documentation. Mag Locks should be wired to Output K1 normally closed (NC) terminal.



DIODE SELECTION:

DIODE CURRENT RATING > 1X STRIKE CURRENT
DIODE BREAK DOWN VOLTAGE : 4X STRIKE VOLTAGE



MOV SELECTION:

VOLTAGE RATING > Vac RMS

Maintenance

The SR-10K readers are designed to provide continuous service with minimal routine maintenance. However, contaminants (such as magnetic oxides from badges and dirt) tend to accumulate on the read head. Without regular cleaning, these contaminants will shorten the read head life and increase the probability of card read error. A maintenance schedule should be developed base on the card reader environment (dirty or clean) and the usage frequency (light traffic or heavy traffic). Extreme case may require daily cleaning.

Head cleaning may be done by using disposable, pre-saturated magnetic head cleaning card. These cards are readily obtainable from a number of sources (e.g. Clean Team Co. 800-888-8830, www.cleanteam.com; KIC Products, 207-514-7030, www.kicproducts.com; System ID, 1-888-648-4452, www.systemid.com).

The reader exterior surface is covered with high strength polymer and polyester membrane. It may be cleaned with a soft cloth and mild detergent if required.

Specification:

The reader/Interface are for use in low voltage, class 2 circuits only.

Electrical:	Voltage -	12 Vdc (10.2 to 13.8 Vdc)
	Current -	200mA
	Relay contacts-	K1, 5A@30Vdc; K2, 1A@30Vdc
	Distance between reader/interface -	500' (152m) max., 22AWG
	RS-485 Comm. Cable -	4,000' (1,219m) max. 24AWG, 120 ohm.
Mechanical:	Reader:	
	Dimension -	1.95" (50mm)W x 1.30" (33mm)H x 5.50" (140mm)L
	Weight -	10 oz. (284 g) nominal
	Interface:	
	Dimension -	3.25" (83mm)W x 2.9" (74mm)L x 1.4" (36mm)H
	Weight -	4 oz. (120 g) nominal
Environmental:	Temperature:	-55 to +85 degrees C, storage -40 to +75 degrees C, operating
	Humidity:	Reader- 100% RHNC; Interface- 95% RHNC

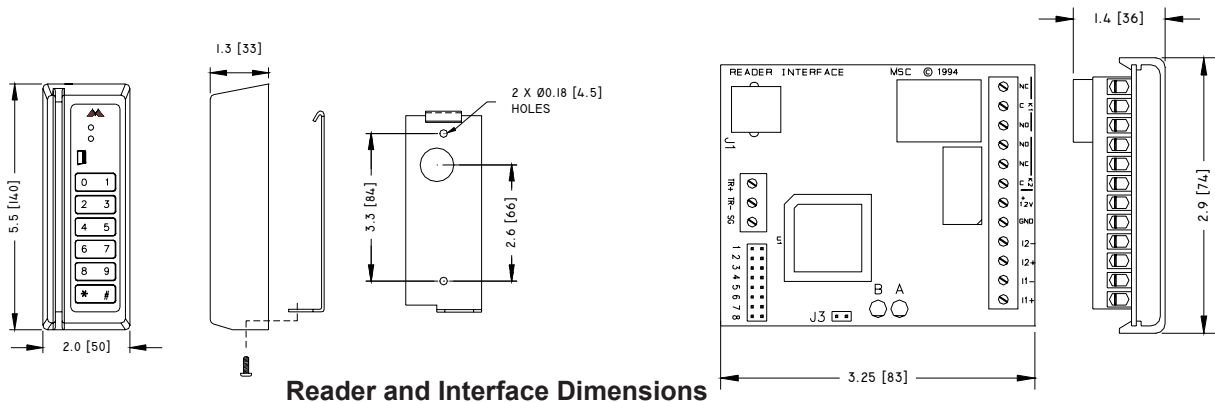
WARRANTY

Mercury Security Corporation warrants that the product is free from defects in material and workmanship under normal use and service for two years from factory shipment. Mercury Security Corporation assumes no responsibility for products damaged by improper handling or installation. This warranty is limited to the repair or replacement of the defective unit.

There is no expressed warranties other than set forth herein. Mercury Security Corporation does not make, intends, nor does it authorize any agent or representative to make any other warranties, implied warranties, and expressly excludes and disclaims all implied warranties of merchantability of fitness for a particular purpose. Returned units are repaired or replaced from a stock of reconditioned units. Returns must be accompanied by a return authorization number obtained form customer service, a purchase order and prepaid postage.

LIABILITY

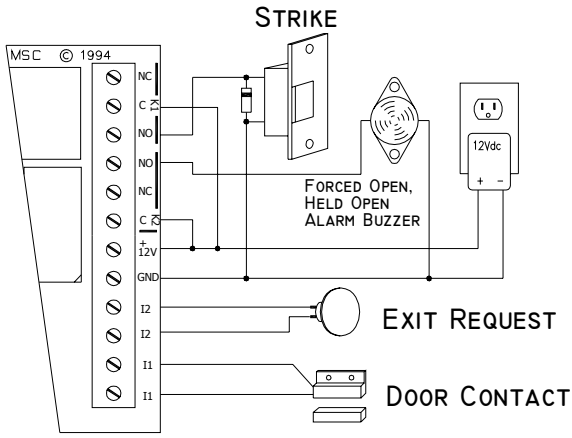
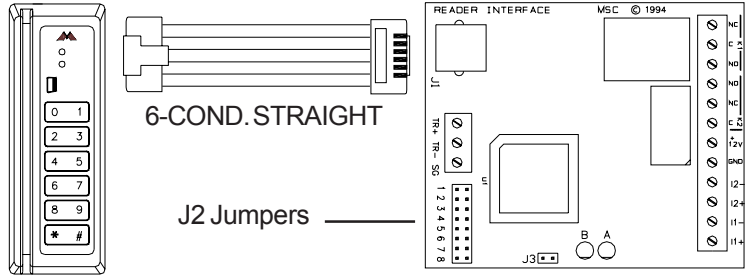
The card readers should only be used to control exits from areas where an alternate method for exit is available. This product is not intended for, nor is rated for operation in life-critical control applications. Mercury Security Corporation is not liable under any circumstances for loss or damage caused by or partially caused by the misapplication or malfunction of the product. Mercury Security Corporation's liability does not extend beyond the purchase price of the product.



Reader and Interface Dimensions

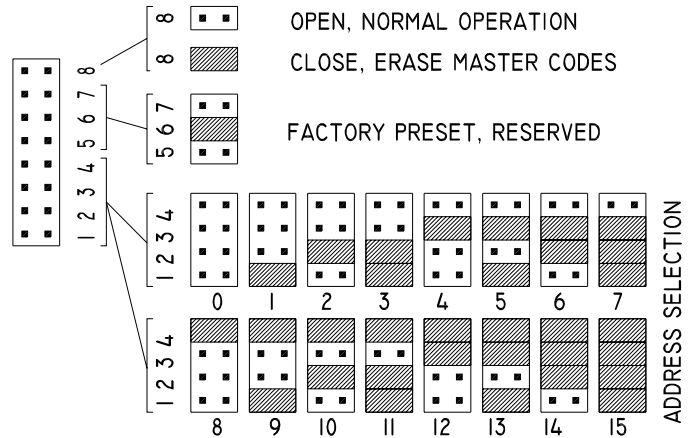
Reader to Interface Connection:

Connect the Reader to the Interface Module using the straight 6-conductor modular cable. DO NOT use cross-over cable. Maximum distance between reader and interface is 500 feet using 22AWG wires.

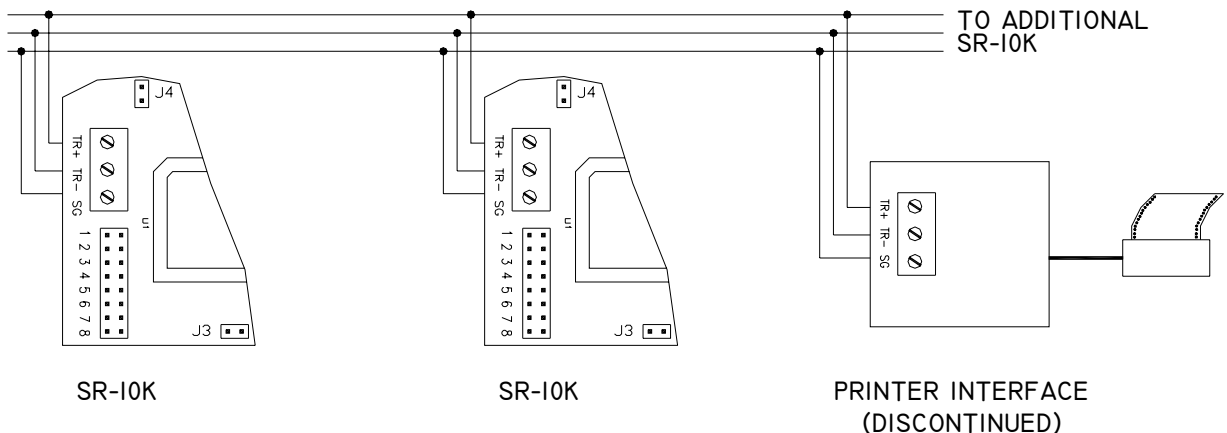


Typical Wiring Configuration

JUMPER SETTING



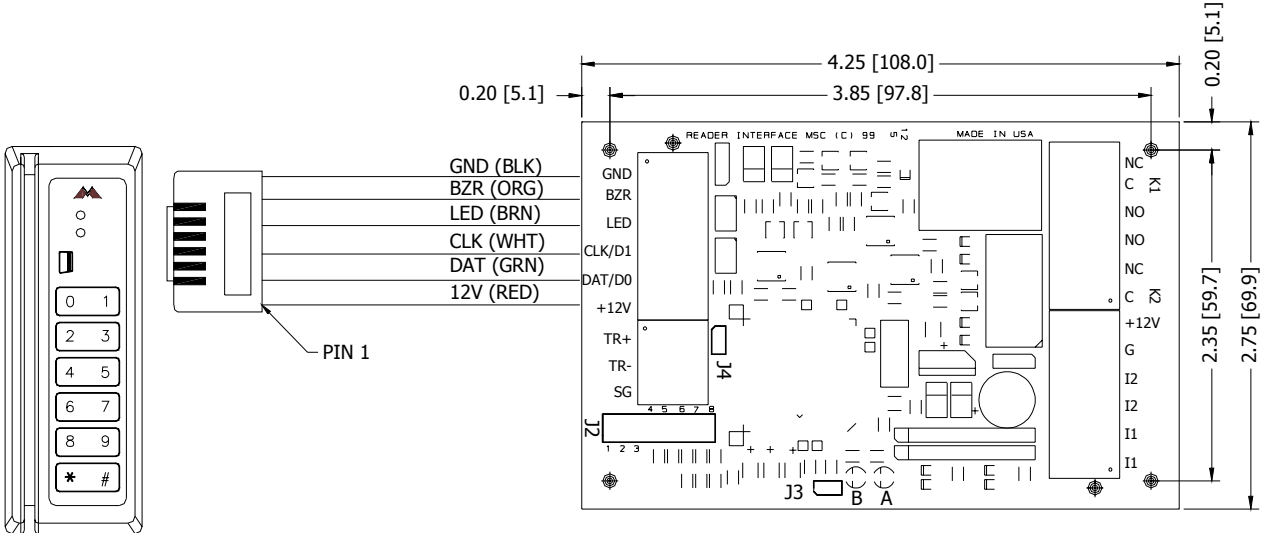
Communication Wiring: Maximum total cable length - 4,000 ft [1,200 m], 24 AWG



Set each interface to unique address. Install RS-485 termination jumper, J4, on the first and last units only.

Addendum - Revision C

This revision changed the door module to accommodate screw mounting instead of using snap track. The new module dimension is 4.25 x 2.75 inches. Connection to the card reader is also changed from modular jack to a screw terminals for more convenient termination.



Free Manuals Download Website

<http://myh66.com>

<http://usermanuals.us>

<http://www.somanuals.com>

<http://www.4manuals.cc>

<http://www.manual-lib.com>

<http://www.404manual.com>

<http://www.luxmanual.com>

<http://aubethermostatmanual.com>

Golf course search by state

<http://golfingnear.com>

Email search by domain

<http://emailbydomain.com>

Auto manuals search

<http://auto.somanuals.com>

TV manuals search

<http://tv.somanuals.com>