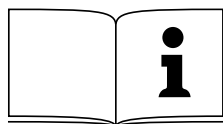
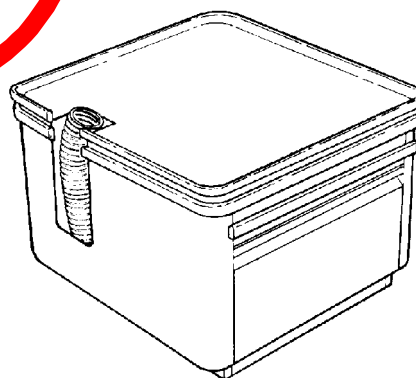









ELEKTRA BECKUM

Ein Unternehmen der Metabo-Gruppe

English only

Absauganlage Multi 180A
Dust Collector Multi 180A
Udsugningsanlæg Multi 180A
Afzuiginstallatie Multi 180A
Aspirateur Multi 180A
Aspirazione Multi 180A
Aspirador Multi 180A



 Betriebsanleitung	2
 Operating Instruction	4
 Betjeningsvejledning	6
 Handleiding	8
 Instructions d'utilisation	10
 Manuale d'istruzioni	12
 Manual de uso	14

1. Safety

1.1 Specified Conditions of Use

This dust collector is intended for the extraction and collection of saw dust and chips, which are generated when working wood or wood-derived materials.

Any other use is not as specified. Use not as specified, alteration of the machine or use of parts that are not approved by the equipment manufacturer, can cause unforeseeable damage!

1.2 General Safety Information

Read and follow also the instructions for the woodworking machine connected to the dust collector.

- **Electrical hazard:**
Operate the machine only on a power source matching the following requirements :
Protection against electric shock by an residual-current device (RCD) of 30 mA sensitivity;
outlets properly installed, earthed and checked.
Use only cables with at least 1.5 mm² lead cross-section.
Do not pull on power supply cable to unplug.
- **Hazard generated by machine faults:**
Do not operate the machine with a faulty part. Replace damaged parts at once! Do not make any changes to the machine.
- **Fire hazard:**
Do not vacuum any hot objects (e.g. chips generated by cutting metals).
- **Hazard generated by unintentional starting of the machine:**
Unplug the dust collector before emptying the dust bag.
Unplug when the dust collector is not in use.
- **Risk of injury by inhaling wood dust:**
Dust of certain timber species (e.g. oak, beech, ash) can cause cancer when inhaled. Wear a dust mask when emptying the dust bag. Dispose of the dust bag's contents in an ecologically safe way.

2. Special Product Features

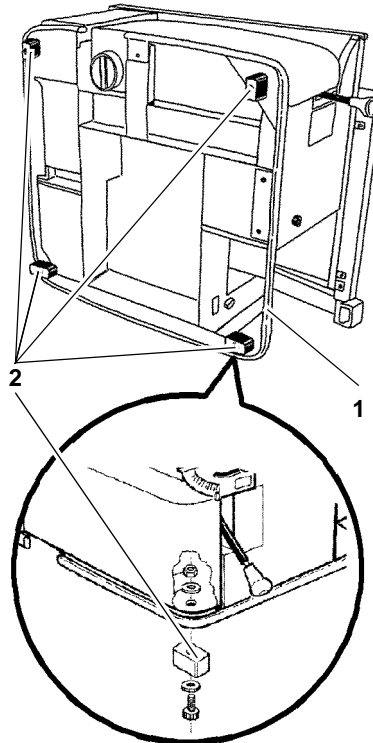
- Easily portable by pull-out handle and two integrated wheels.
- Additional feet on one side to position the dust collector in a upright position to save floorspace.

3. Assembly

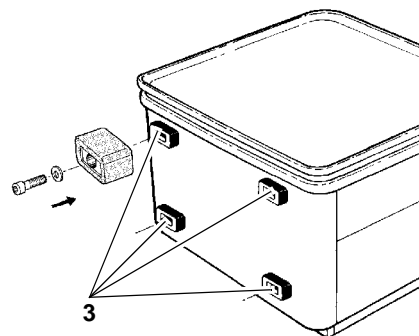
1. Lift combination machine at the carrying frame (1) and place it on the rubber feet on its side.

⚠ Caution!
Always lift the combination machine at the carrying frame only!

2. Install further four rubber feet (2) on the underside of the combination machine.



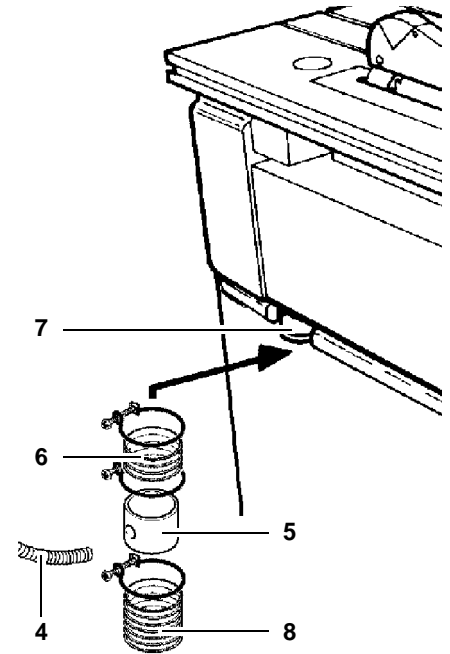
3. Attach four rubber feet (3) to the side of the dust collector.



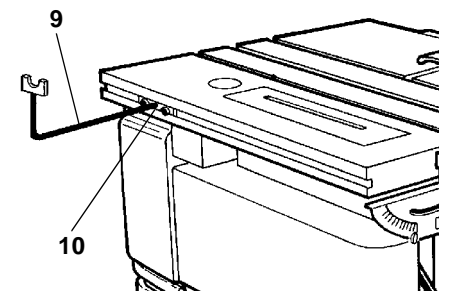
4. Place combination machine on the dust collector.

⚠ Risk of squashing between combination machine and dust collector!

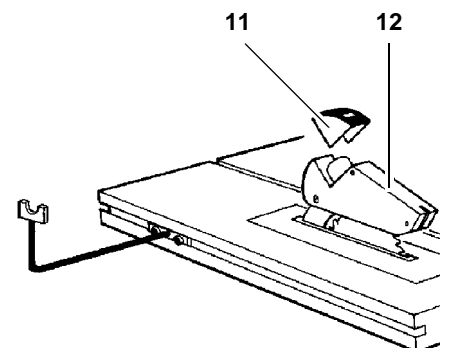
5. Turn the small diameter suction hose (4) approx. 10 mm into the branch piece (5).



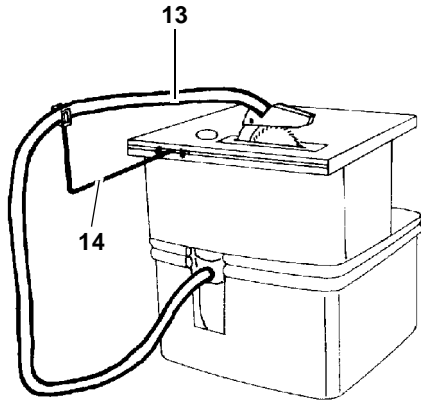
6. Fasten the branch piece (5) as illustrated with the connection hose (6) and two hose clamps to the chip case (7).
7. Slide the short suction hose (100 mm Ø) (8) from below onto the branch piece (5) and secure with a hose clamp.
8. Fit support bracket (9) to the groove (10) of the machine table and secure with screws.



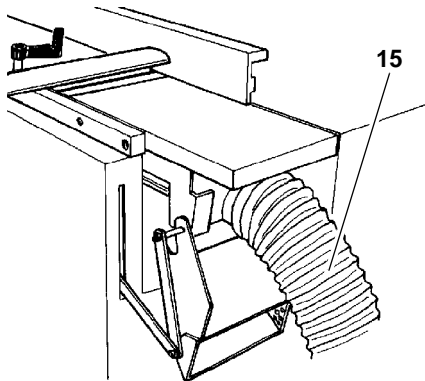
9. Remove cap (11) from the saw's blade guard (12).



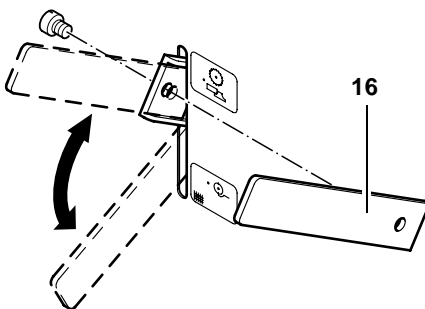
- Connect the other end of the small diameter suction hose (43 mm Ø) (13) to the blade guard.



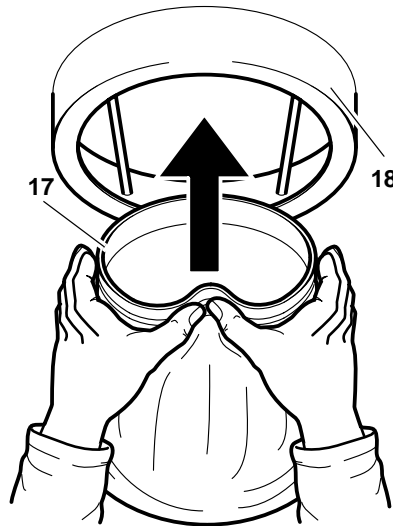
- Hang the small diameter suction hose to the support bracket (14).
- Connect the long suction hose (100 mm Ø) (15) to the planer/thicknesser's suction port.



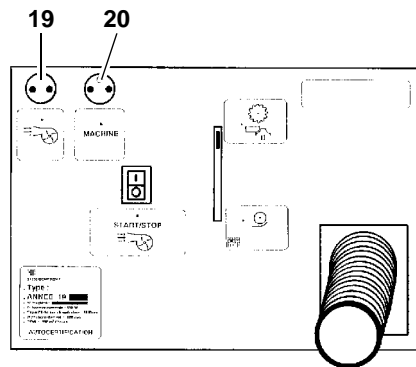
- Put handle (16) on the selector and secure with screw.



- Bend the spring steel ring of the dust bag (17) inward and fit inside the receiver (18), up against the stop.



- Plug the dust collector's short cable into the left outlet (19) of the dust collector.



- Connect the combination machine's power cable plug to the right outlet (20) of the dust collector.
- Connect the long power cable to a mains outlet.

4. Operation

Commissioning

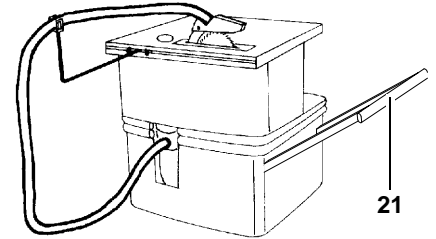
- Set the selector:
 - Selector in upper position: collection for circular saw and spindle moulder.
 - Selector in lower position: collection for planer/thicknesser.
- Start dust collector.
- Start woodworking machine.

Stopping

- Switch woodworking machine OFF.
- Switch dust collector OFF.

Relocation

- Pull handle (21) out.



- With the handle lift the complete unit, until the wheels touch the floor.
- Roll unit to the desired location.

5. Maintenance

Check the dust bag periodically. If the dust bag is filled:

- Unplug the dust collector.
- Open the service door.
- Push the spring steel ring inward and remove the dust bag from the receiver.
- Dispose of the dust bag's contents in an ecologically safe way.
- Replace the dust bag (see Assembly) and close the service door.

6. Technical Specifications

Power supply	230 V / 1 ~ 50 Hz
Power input P ₁ :	0.62 kW
Power output P ₂ :	0.37 kW
Total power input P ₁ (when operated with Combination machine Multi 180A):	1.72 kW
Mains fuse:	16 A, time-lag
Degree of protection:	IP 44
Suction capacity:	600 m ³ /h
Vacuum:	1000 Pa
Dust bag capacity:	68 litres
Suction port Ø: 2 x 100 mm / 1 x 43 mm	
Dimensions (L x W x H):	760 x 760 x 500 mm
Weight:	48 kg
Noise emission:	see combination machine

D DEUTSCH**KONFORMITÄTSERKLÄRUNG**

Wir erklären in alleiniger Verantwortlichkeit, daß dieses Produkt mit den folgenden Normen übereinstimmt* gemäß den Bestimmungen der Richtlinien**

F FRANÇAIS**DECLARATION DE CONFORMITE**

Nous déclarons, sous notre seule responsabilité, que ce produit est en conformité avec les normes ou documents normatifs suivants* en vertu des dispositions des directives**

IT ITALIANO**DICHIARAZIONE DI CONFORMITÀ**

Noi dichiariamo sotto la nostra esclusiva responsabilità che il presente prodotto è conforme alle seguenti norme* in conformità con le disposizioni delle normative**

PT PORTUGUÊS**DECLARAÇÃO DE CONFORMIDADE**

Declaramos sob nossa responsabilidade que este produto está de acordo com as seguintes normas* de acordo com as directrizes dos regulamentos**

FIN SUOMI**VAATIMUKSEN MUKAISUUSVAKUUTUS**

Vakuutamme, että tämä tuote vastaa seuraavia normeja* on direktiivien määräysten mukainen**

DA DANSK**OVERENSSTEMMELSESATTEST**

Hermed erklærer vi på eget ansvar, at dette produkt stemmer overens ed følgende standarder* iht bestemmelserne i direktiverne**

EL ΕΛΛΗΝΙΚΑ**ΔΗΛΩΣΗ ΑΝΤΙΣΤΟΙΧΙΑΣ**

Δηλώνουμε με ίδια ευθύνη ότι το προϊόν αυτό αντιστοιχεί στις ακόλουθες προδιαγραφές* σύμφωνα με τις διατάξεις των οδηγιών**

ENG ENGLISH**DECLARATION OF CONFORMITY**

We herewith declare in our sole responsibility that this product complies with the following standards* in accordance with the regulations of the undermentioned Directives**

NL NEDERLANDS**CONFORMITEITSVERKLARING**

Wij verklaren als enige verantwoordelijke, dat dit product in overeenstemming is met de volgende normen* conform de bepalingen van de richtlijnen**

ES ESPAÑOL**DECLARACION DE CONFORMIDAD**

Declaramos bajo nuestra exclusiva responsabilidad, que el presente producto cumple con las siguientes normas* de acuerdo a lo dispuesto en las directrices**

SV SVENSKA**FÖRSÄKRAN OM ÖVERENSSTÄMMELSE**

Vi försäkrar på eget ansvar att denna produkt överensstämmer med följande standarder* enligt bestämmelserna i direktiven**

NO NORGE**SAMSVARSERKLÆRING**

Vi erklærer under eget ansvar at dette produkt samsvarer med følgende normer* henhold til bestemmelsene i direktiv**

POL POLSKI**OŚWIADCZENIE O ZGODNOŚCI**

Oświadczamy z pełną odpowiedzialnością, że niniejszy produkt odpowiada wymogom następujących norm* według ustaleń wytycznych**

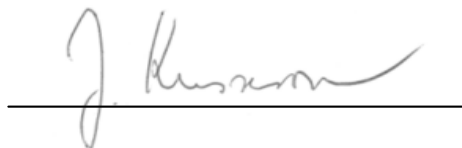
HU MAGYAR**MEGEGYZŐSÉGI NYILATKOZAT**

Kizárólagos felelősségünk tudatában ezennel igazoljuk, hogy ez a termék kielégíti az alábbi szabványokban lefektetett követelményeket* megfelel az alábbi irányelvek előírásainak**

ABSAUGANLAGE F. MULTI 180 A

* EN 60204

** 98/37/EG, 89/336/EWG, 73/23/EWG



Jürgen Kusserow
Vorstand



ELEKTRA BECKUM AG – Daimlerstraße 1 – 49716 Meppen

1000908/ 00

Free Manuals Download Website

<http://myh66.com>

<http://usermanuals.us>

<http://www.somanuals.com>

<http://www.4manuals.cc>

<http://www.manual-lib.com>

<http://www.404manual.com>

<http://www.luxmanual.com>

<http://aubethermostatmanual.com>

Golf course search by state

<http://golfingnear.com>

Email search by domain

<http://emailbydomain.com>

Auto manuals search

<http://auto.somanuals.com>

TV manuals search

<http://tv.somanuals.com>