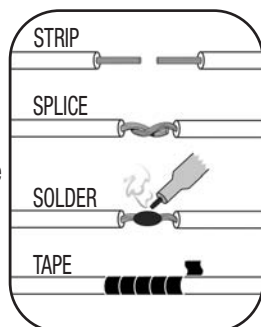


## FINAL WIRING CONNECTIONS

Make wiring connections using the EIA color code chart shown below and the instructions included with the head unit. Metra recommends making connections as shown below; Strip, Splice, Solder, Tape. Isolate and individually tape off ends of any unused wires to prevent electrical short circuit.

### METRA / EIA WIRING CODE

12V Ignition / Acc. . . . .	Red
12V Batt / Memory . . . . .	Yellow
Ground . . . . .	Black*
Power Antenna . . . . .	Blue
Amp Turn-On . . . . .	Blue / White
Amp Ground . . . . .	Black / White
Illumination . . . . .	Orange
Dimmer . . . . .	Orange / White
Right Front (+) . . . . .	Gray
Right Front (-) . . . . .	Gray / Black
Left Front (+) . . . . .	White
Left Front (-) . . . . .	White / Black
Right Rear (+) . . . . .	Violet
Right Rear (-) . . . . .	Violet / Black
Left Rear (+) . . . . .	Green
Left Rear (-) . . . . .	Green / Black



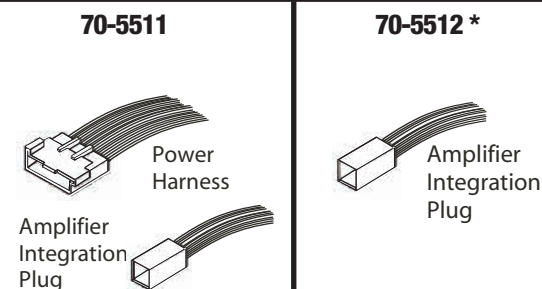
**\*NOTE:** When Black wire is not present, ground radio to vehicle chassis. All colors may not be present on all leads due to manufacturer's specifications.

## INSTALLATION INSTRUCTIONS

### 70-5511 70-5512\*

*Ford Premium Sound System Harness  
To Integrate Aftermarket Radio  
with Factory Amplifiers and Speakers*

#### KIT COMPONENTS



\*Requires 70-1704 power harness

#### TOOLS REQUIRED FOR INSTALLATION

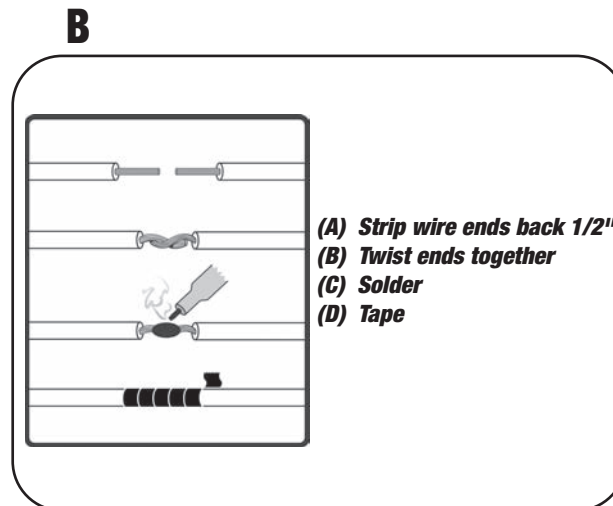
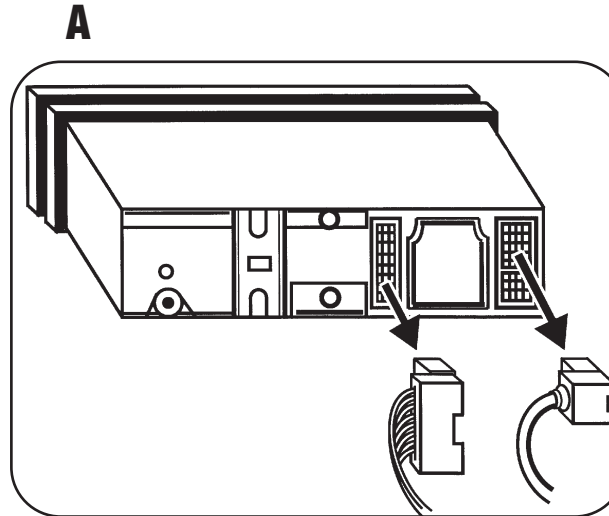
- Cutting Tool • Tape • Crimping Tool • Connectors



## TO INSTALL AN AFTERMARKET RADIO WHILE KEEPING THE FACTORY AMPLIFIER AND SPEAKERS

## NOTES

- 1 Disconnect the negative battery terminal to prevent an accidental short circuit.
- 2 Unplug the power and output connectors from the factory radio. (Figure A)
- 3 Splice the wire from the aftermarket radio to the power and amplifier integration harnesses using the color code on page 4 and the instructions included with the aftermarket radio. (Figure B)
- 4 Plug the power and amplifier integration harnesses into the factory power and output connectors.
- 5 Re-connect the negative battery terminal and test the unit for proper operation.




---

---

---

---

---

---

---

---

---

---

---

---

---

---

---

---

---

---

---

---

---

---

---

---

## Free Manuals Download Website

<http://myh66.com>

<http://usermanuals.us>

<http://www.somanuals.com>

<http://www.4manuals.cc>

<http://www.manual-lib.com>

<http://www.404manual.com>

<http://www.luxmanual.com>

<http://aubethermostatmanual.com>

Golf course search by state

<http://golfingnear.com>

Email search by domain

<http://emailbydomain.com>

Auto manuals search

<http://auto.somanuals.com>

TV manuals search

<http://tv.somanuals.com>