



## INSTALLATION INSTRUCTIONS FOR PART 88-00-2020

**APPLICATIONS**  
**STORAGE POCKET**  
**(TO BE USED WITH INST99-2020**  
**BUICK Regal 1988-1994)**

# 88-00-2020

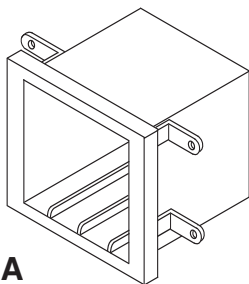
## INSTALLATION INSTRUCTIONS

### KIT FEATURES

- OEM Radio Replacement Pocket

### KIT COMPONENTS

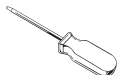
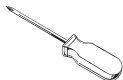
- A) Storage Pocket



**A**

### TOOLS REQUIRED:

- Phillips Screwdriver • Small Flat Blade Screwdriver • Panel Removal Tool



**1-800-221-0932**



**www.metraonline.com**

© COPYRIGHT 2001-2008 METRA ELECTRONICS CORPORATION



**TABLE OF CONTENTS**

***Dash Disassembly - All Vehicles* .....1**

***Final Assembly* .....2**

***\*Note:***

***Refer also to the instructions included with the aftermarket radio.***



**KNOWLEDGE IS POWER**

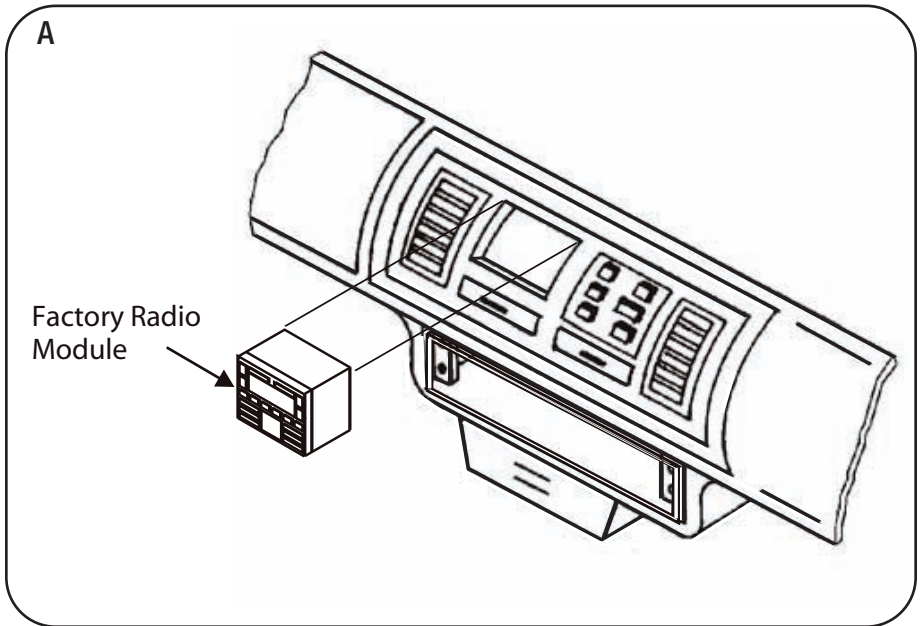
Enhance your installation and fabrication skills by enrolling in the most recognized and respected mobile electronics school in our industry.

Log onto [www.installerinstitute.com](http://www.installerinstitute.com) or call 800-354-6782 for more information and take steps toward a better tomorrow.

## **ALL VEHICLES** **DASH DISASSEMBLY**

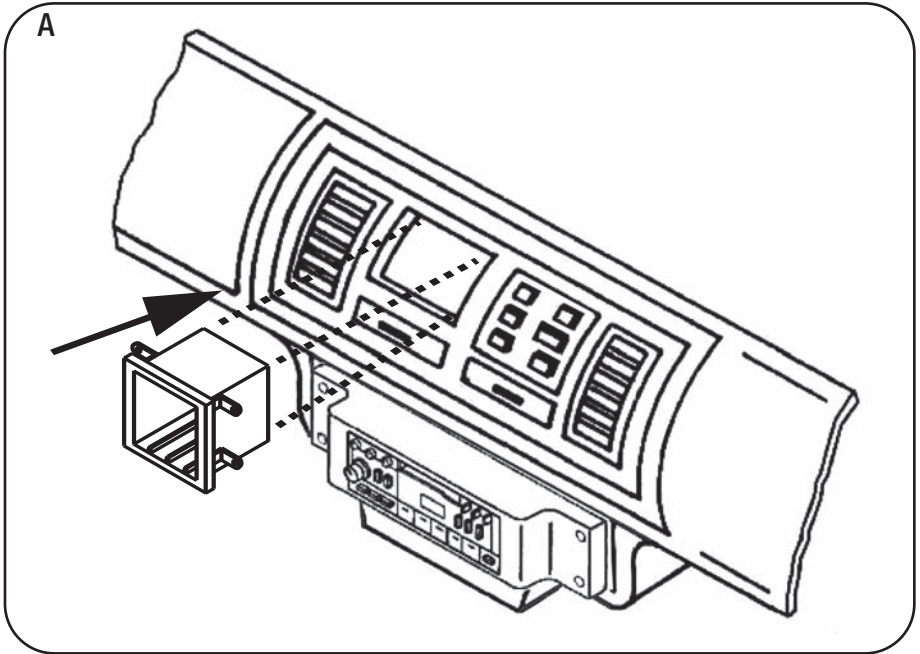
Disconnect the negative battery terminal to prevent an accidental short circuit. Unclip the entire dash trim bezel and remove. Remove 9/32" fasteners from the right side of the factory radio module and (2) fasteners from the left side. Disconnect the wiring and remove the module. Refer also to instructions included with Metra Kit INST99-2020.

**See Fig. A.** Continue to final assembly.



**ALL VEHICLES**  
**FINAL ASSEMBLY**

- 1 Insert the Metra storage pocket in the radio cavity. *(See Fig. A)*



**1-800-221-0932**



**www.metraonline.com**

REV. 12/17/08 © COPYRIGHT 2001-2008 METRA ELECTRONICS CORPORATION INST99-2020

## Free Manuals Download Website

<http://myh66.com>

<http://usermanuals.us>

<http://www.somanuals.com>

<http://www.4manuals.cc>

<http://www.manual-lib.com>

<http://www.404manual.com>

<http://www.luxmanual.com>

<http://aubethermostatmanual.com>

Golf course search by state

<http://golfingnear.com>

Email search by domain

<http://emailbydomain.com>

Auto manuals search

<http://auto.somanuals.com>

TV manuals search

<http://tv.somanuals.com>