



INSTALLATION INSTRUCTIONS FOR PART 95-2009

APPLICATIONS GM/SUZUKI MULTI KIT

95-2009

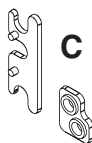
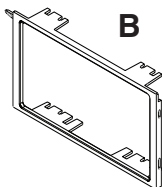
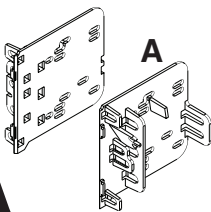
KIT FEATURES

- Double DIN Radio Provision
- Stacked ISO Mount Units Provision



KIT COMPONENTS

- A) Double DIN Brackets
- B) Double DIN Trim Plate
- C) Spacers
- D) (4) Carriage Bolts
- E) (4) Kep Nuts
- F) (3) Screws-(3) Speed Clips



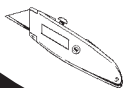
WIRING AND ANTENNA CONNECTIONS

(Sold Separately)

- Wiring Harness - Please see www.metraonline.com for specific interface applications
- Antenna Adapter -
- 40-GM10 - GM Antenna Adapter 1988-up
- 40-CR10 - Chrysler Antenna Adapter 2002-up

TOOLS REQUIRED:

Utility knife • Phillips Screwdriver • Socket Set



1-800-221-0932



www.metraonline.com

© COPYRIGHT 2004-2009 METRA ELECTRONICS CORPORATION

VEHICLE APPLICATION CONTENTS

**Note: Refer also to the instructions included with the aftermarket radio.*

Dash Disassembly

BUICK

Century	1997-2005	3
Le Sabre	1995-2005	4
Park Avenue	1995-2005	5
Rainier	2004-2007	28
Regal	1995-2004	3
Rendezvous	2002-2007	6
Riviera	1996-1999	7
Roadmaster	1995-1996	8
Skylark	1996-1998	9

CADILLAC

Escalade/EXT	2003-2006	10
Fleetwood/Brougham	1990-1996	11-12
Eldorado	1992-1995	13
Seville	1992-1995	13

CHEVROLET

Avalanche	2003-2006	10
Blazer	2002-2005	14
Cavalier	2000-2005	15
Colorado	2004-2010	16
Express Van (full size)	2001-2007	17,18
Impala	2000-2005	19
Malibu	2001-2003	20
Malibu Classic	2004	20
Metro (Geo included)	1995-2001	21
Monte Carlo	2000-2005	22
SSR	2003-2006	23
S-10 Pickup		
with DDIN Radio	2002-2004	14
Silverado (all)	2003-2007	10
Suburban	2003-2006	10
Tahoe	2003-2006	10
Tracker	1992-2004	24
Trailblazer	2002-2009	25
Venture	2000-2005	26,27

GMC

Canyon	2004-2010	16
Envoy	2002-2009	28
Savanna	2001-2007	17,18
Sierra	2003-2007	10
Sonoma	2002-2004	14
Yukon/Denali/XL	2003-2006	10

HONDA

Passport	1998-2002	29
----------	-----------	----

HUMMER

H2	2003-2007	30,31
----	-----------	-------

ISUZU

Ascender	2003-2009	28
Amigo	1998-2000	29
I-290/1370	2007-2008	16
I-280/1350	2006	16
Rodeo	1998-2004	29
Rodeo Sport	2001-2003	29

OLDSMOBILE

Achieva	1996-1998	32
Alero	1999-2004	33
Aurora	1995-2003	34
Bravada	1998-2001	14
Bravada	2002-2004	28
Cutlass	1997-1999	35
Cutlass Supreme	1995-1997	35
Eighty-Eight	1994-1999	36
Intrigue	1998-2003	37
LSS	1996-1999	38
Ninety-Eight	1994-1996	36
Regency	1997-1998	38
Silhouette	2000-2004	26,27

PONTIAC

Aztec	2001-2005	39
Bonneville	2000-2005	40
Grand Am	2001-2005	41
Montana	2000-2005	26,27
Sunfire	2000-2005	42
Vibe	2003-2008	43

SUZUKI

Aerio	2002	44
Esteem	1995-2003	45
Sidekick	1992-1998	24
Swift	1995-2001	21
Vitara	1999-2005	24
Grand Vitara	1999-2002	24
XL-7	2001-2002	24

TOYOTA

Matrix	2003-2004	43
--------	-----------	----

Tab Instructions

CHEVY/GM/METRO/SUZUKI/	
CADILLAC - FLEETWOOD/BROUGHAM	46
ISUZU/PONTIAC/TOYOTA/	
CADILLAC - ELDORADO/SEVILLE	47

Kit Assembly

CADILLAC - FLEETWOOD/BROUGHAM	48
CADILLAC - ELDORADO/SEVILLE	49
DOUBLE DIN RADIO/STACKED ISO MOUNT UNITS	
PROVISION	50

<u>Final Assembly</u>	51
---------------------------------	----

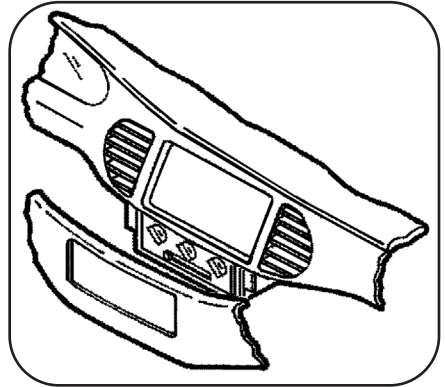


KNOWLEDGE IS POWER

Enhance your installation and fabrication skills by enrolling in the most recognized and respected mobile electronics school in our industry. Log onto www.installerinstitute.com or call 800-354-6782 for more information and take steps toward a better tomorrow.

BUICK • CENTURY 1997-2005 / REGAL 1995-2004

- 1** Disconnect the negative battery terminal to prevent an accidental short circuit.
- 2** Remove the plastic trim piece to the left of the glove box and (1) Phillips screw exposed.
- 3** Unsnap the top edge of the knee bolster panel.
- 4** Remove (1) Phillips screw from the panel.
- 5** Remove the ashtray cluster and (2) Phillips screws from each side.
- 6** Unclip the entire dash trim bezel and remove.
- 7** Open doors and unsnap end caps from each side of dash.
- 8** Unsnap and remove radio/instrument cluster panel.
- 9** Remove (3) screws in order to remove radio.

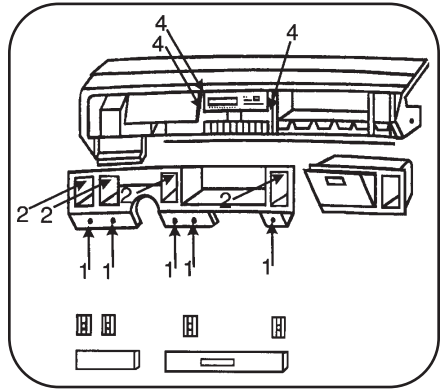


Continue to kit assembly.

BUICK • LESABRE / PARK AVENUE 1995-1999

- 1** Disconnect the negative battery terminal to prevent an accidental short circuit.
- 2** Unsnap the climate control trim panel (from door to door) and remove (4) Phillips screws exposed.
- 3** Pop out the a/c vents and remove (1) Phillips screw exposed in each vent cavity.
- 4** Unclip the radio trim bezel and remove.
- 5** Remove the screws securing the factory head unit and disconnect the wiring.

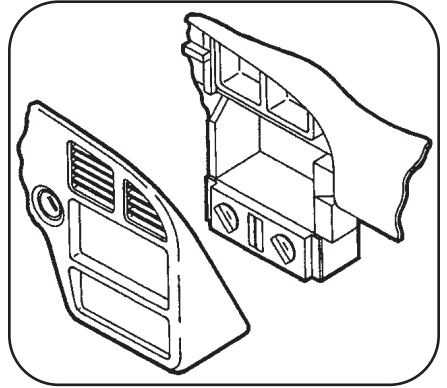
Continue to kit assembly.



BUICK • LESABRE / PARK AVENUE 2000-2005

- 1** Disconnect the negative battery terminal to prevent an accidental short circuit.
- 2** Open drivers door and unsnap and remove dash end cap.
- 3** Unsnap and remove trim along center of dash. (One piece on right and one on left of wheel)
- 4** Unsnap and remove radio/instrument bezel.
- 5** Remove (2) screws in order to remove radio.

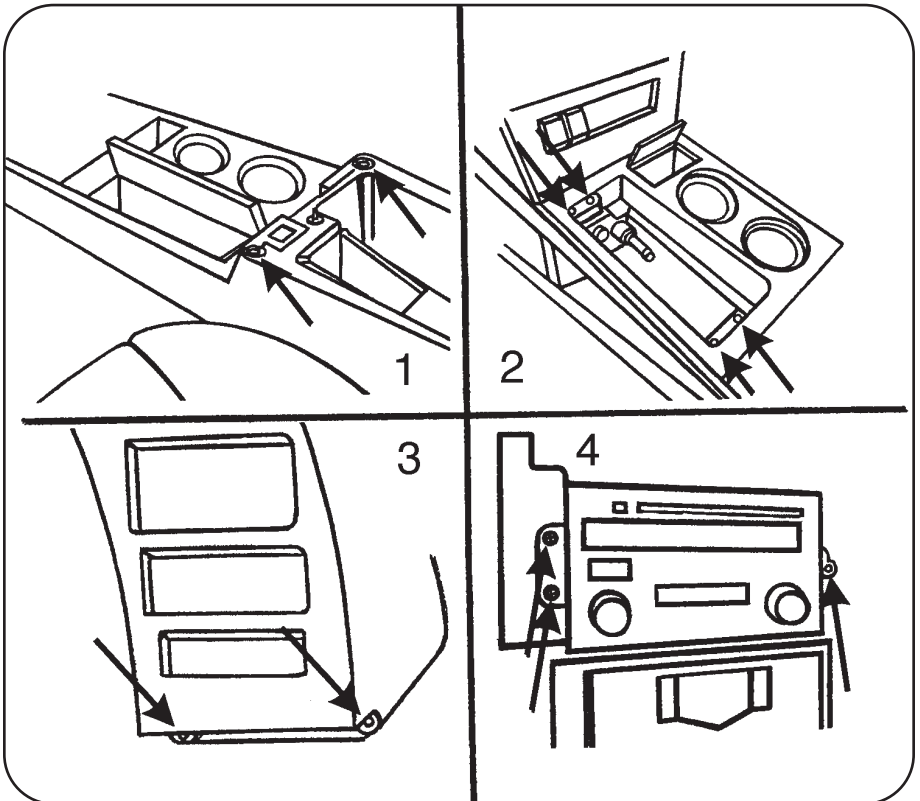
Continue to kit assembly.



BUICK • RENDEZVOUS 2002-2007

- 1 Disconnect the negative battery terminal to prevent an accidental short circuit.
- 2 Open center console and remove 2 screws at front of console opening.
- 3 Remove liners from cup holders and storage pocket next to cup holders, then remove screws. Unsnap and remove panel.
- 4 Remove (2) screws from bottom of radio/climate control bezel, unclip and remove.
- 5 Remove (3) 9/32" hex head screws to remove radio.

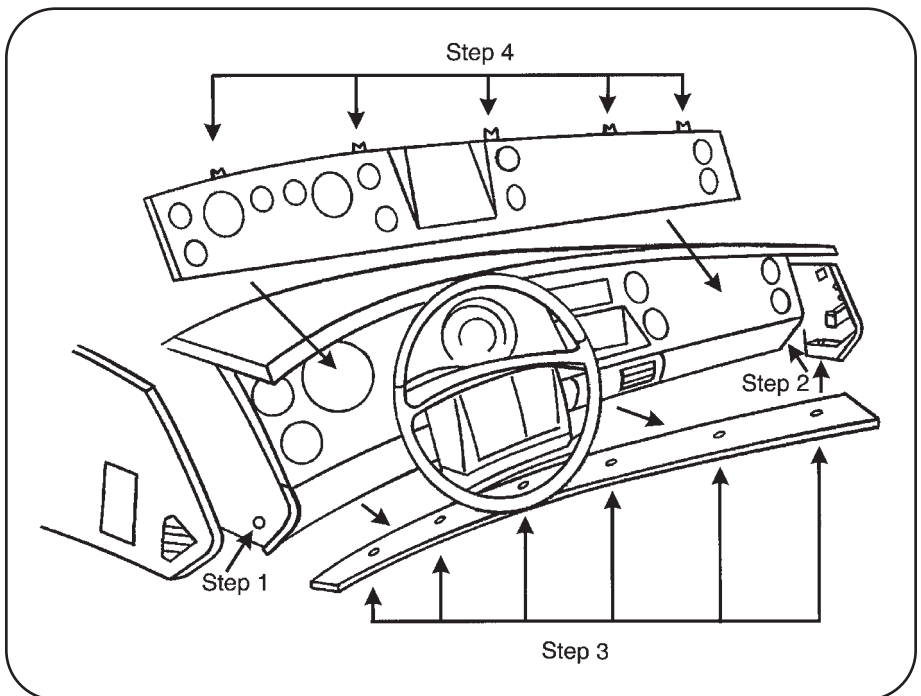
Continue to kit assembly.



BUICK • RIVIERA 1996-

- 1** Disconnect the negative battery terminal to prevent an accidental short circuit.
- 2** Unsnap left side panel exposing (1) Phillips screw to remove.
- 3** Remove (1) Phillips screw and unsnap right side panel to expose (1) Phillips screw beneath panel and remove.
- 4** Unsnap underside of overhanging dash to unsnap (6) plastic rivets and remove panel.
- 5** Remove (5) hex head screws now exposed under overhang.
- 6** Unsnap bottom edge of trim bezel, then while holding overhang up, unsnap and remove trim bezel by removing any necessary harnesses.
- 7** Remove (3) Phillips screw to remove climate control.
- 8** Remove (2) Phillips screws to remove rear support and (3) 9/32" hex head screws to remove radio.

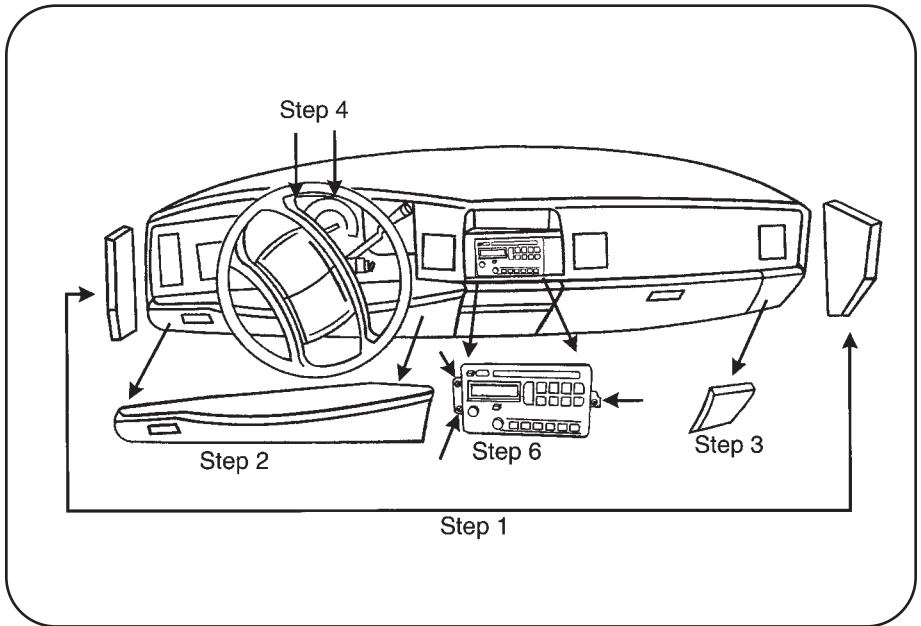
Continue to kit assembly.



BUICK • ROADMASTER 1995-1996

- 1 Disconnect the negative battery terminal to prevent an accidental short circuit.
- 2 Unclip dash panel sides and remove.
- 3 Unclip panel below steering column and remove.
- 4 Remove (2) 7mm screws above instrument cluster.
- 5 Set parking brake, turn car on, and move shifter to the lowest gear. Tilt steering wheel down then unsnap entire instrument cluster/radio panel and remove.
- 6 Remove (3) 7mm screws to remove radio.

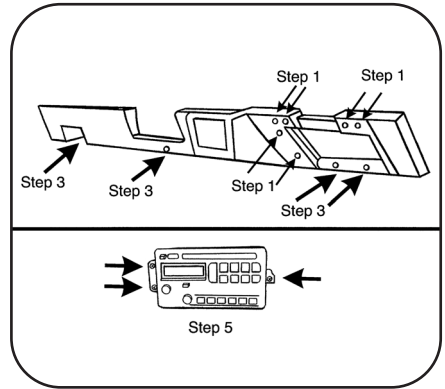
Continue to kit assembly.



BUICK • SKYLARK 1996-1998

- 1** Disconnect the negative battery terminal to prevent an accidental short circuit.
- 2** Remove (6) 9/32" screws inside glove box.
- 3** Under glove box and drivers knee bolster, remove (2) plastic panels by turning (2) 1/4 turn fasteners per side.
- 4** Remove (4) 9/32" screws revealed. (2 per side).
- 5** Unsnap panel from driver's side to passenger's side.
- 6** Remove (3) 9/32" screws to remove radio.

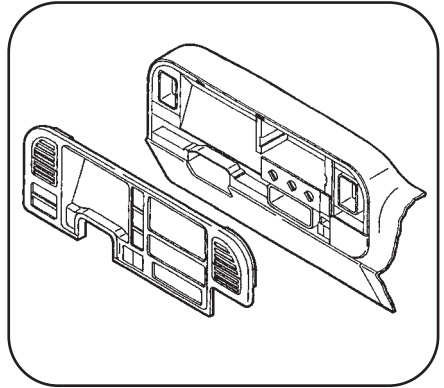
Continue to kit assembly.



CADILLAC • ESCALADE 2003-2006
CHEVROLET • AVALANCHE 2003-2006
SILVERADO 2003-2007 / SUBURBAN 2003-2006
TAHOE 2003-2006
GMC • SIERRA 2003-2007
YUKON / DENALI / XL 2003-2006

- 1** Disconnect the negative battery terminal to prevent an accidental short circuit.
- 2** Unsnap and remove dash bezel.
- 3** Remove (3) 9/32" screws and remove radio.

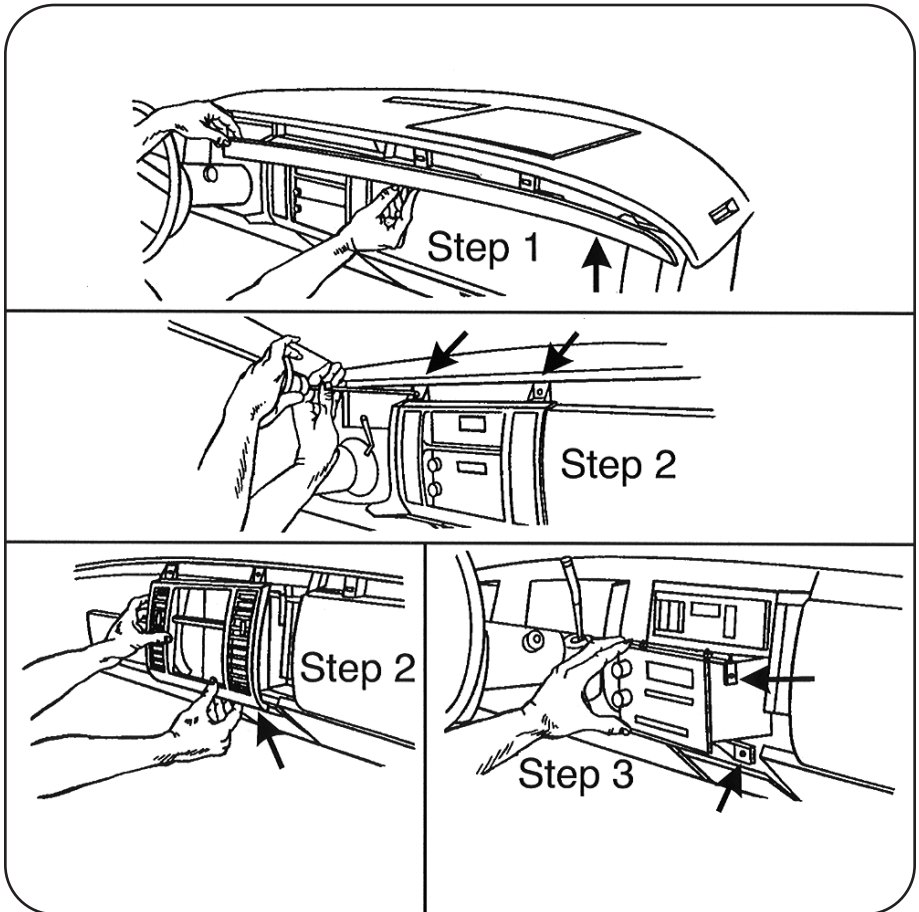
Continue to kit assembly.



**CADILLAC • FLEETWOOD
FLEETWOOD BROUGHAM 1990-1996**

- 1 Disconnect the negative battery terminal to prevent an accidental short circuit.
- 2 Carefully unsnap trim panel above a/c controls.
- 3 Remove (2) 7mm screws at the top of the radio/air conditioning bezel, then unclip panel and remove.
- 4 Remove (4) 7mm screws that hold the radio in, slide radio out, unplug the radio harnesses and remove radio.

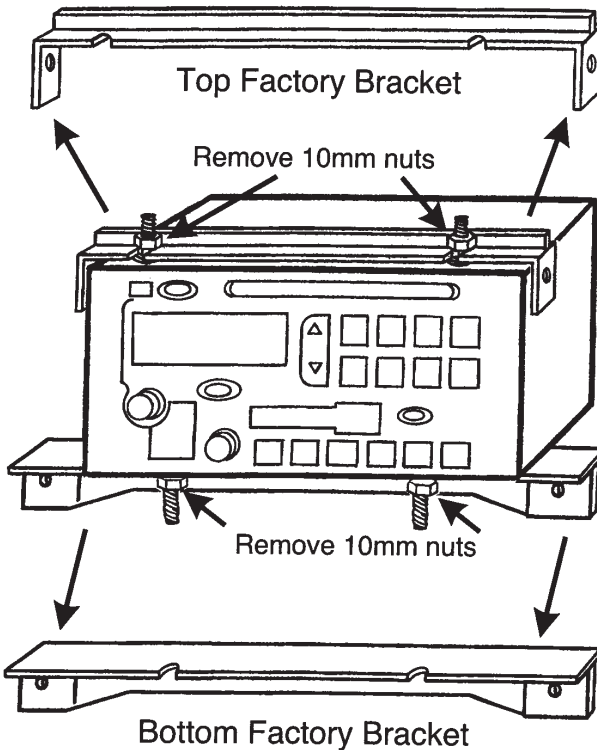
Continue to kit assembly.



**CADILLAC • FLEETWOOD
FLEETWOOD BROUGHAM 1990-1996
RADIO BRACKET DISASSEMBLY**

- 1 Remove (4) 10mm nuts, (2) on top of the radio and (2) on the bottom of the radio, that hold the factory mounting brackets on. save brackets and nuts for kit assembly.

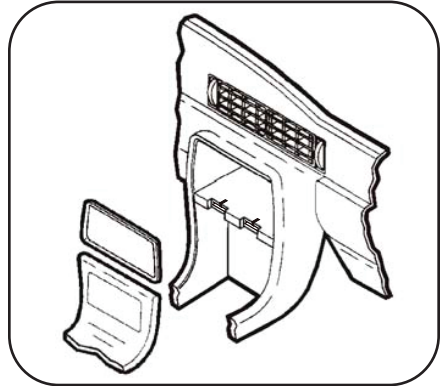
**Cadillac Fleetwood/Brougham
Radio Bracket Disassembly**



**CADILLAC • ELDORADO 1992-1995
SEVILLE 1992-1995**

- 1** Disconnect the negative battery terminal to prevent an accidental short circuit.
- 2** Using a panel removal tool, pry out on the radio trim ring and remove. **Use extreme care when removing).**
- 3** Gently pry up on the ashtray/gear shifter trim bezel and remove. **(CAUTION: Some models are equipped with bezels made of real wood.)**
- 4** Remove (2) nuts securing the bottom of the factory head unit and disconnect the wiring.

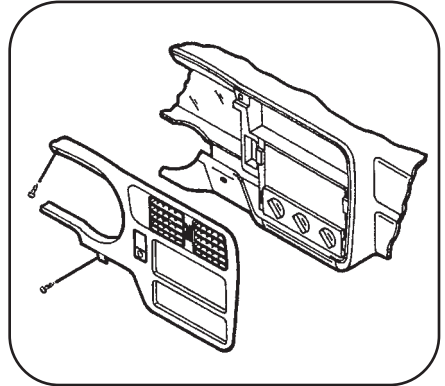
Continue to kit assembly.



**CHEVROLET • BLAZER 2002-2005
S-10 2002-2004 (WITH DOUBLE DIN RADIO)
GMC • SONOMA 2002-2004
OLDSMOBILE • BRAVADA 1998-2001**

- 1** Disconnect the negative battery terminal to prevent an accidental short circuit.
- 2** Remove (2) 9/32" hex-head screws from the knee bolster panel.
- 3** Pull down on the panel and remove the 9/32" hex-head screws exposed on the bottom of the dash trim bezel.
- 4** Remove (1) Phillips screw above the instrument cluster.
- 5** Unclip the dash trim bezel and remove.
- 6** Remove (2) 9/32" hex-head screws securing the factory head unit and disconnect the wiring.

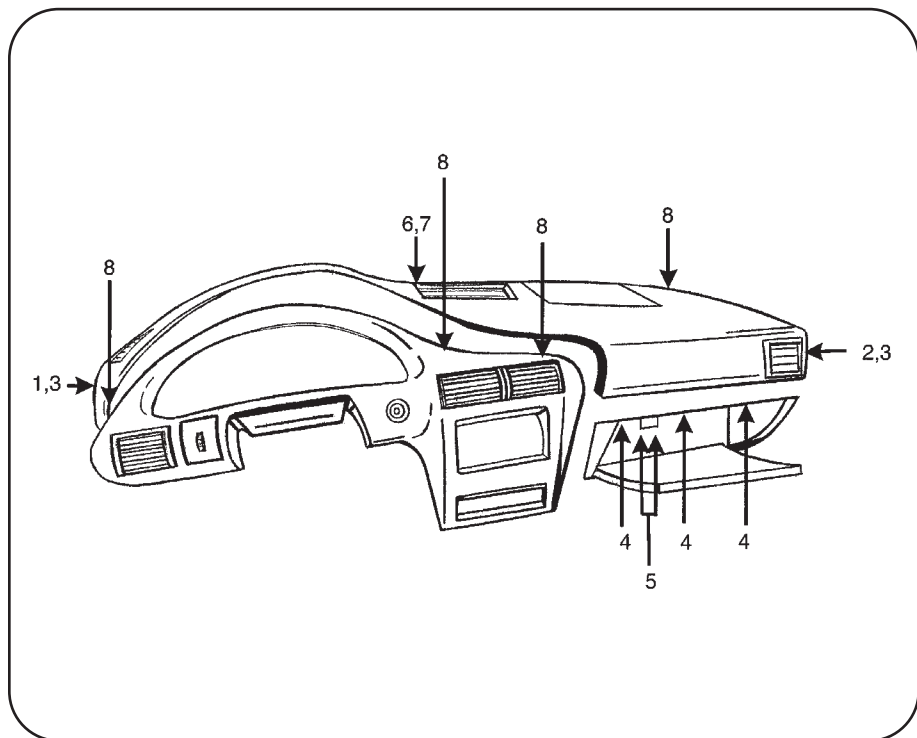
Continue to kit assembly.



CHEVROLET • CAVALIER 2000-2005

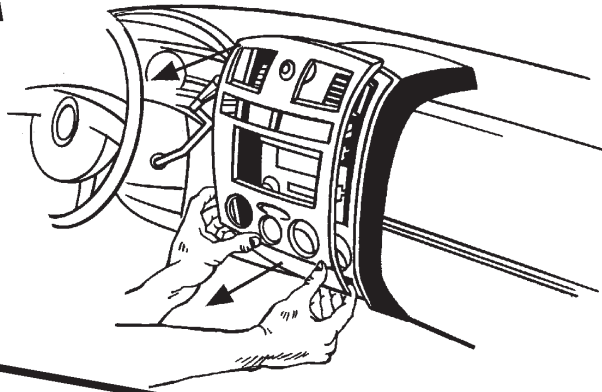
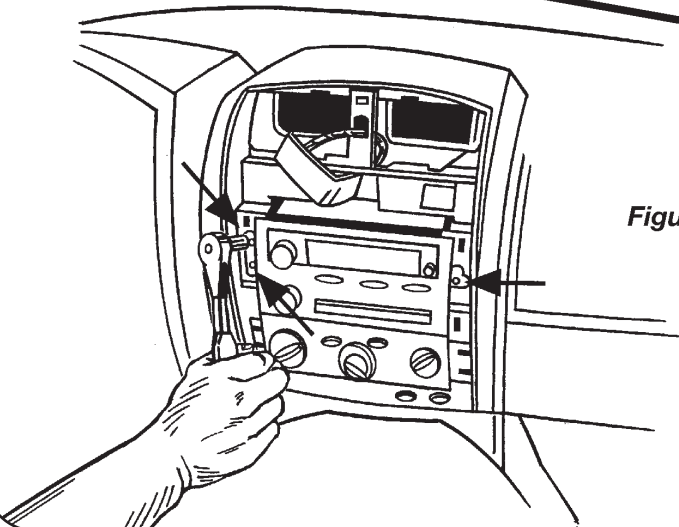
- 1 Disconnect the negative battery terminal to prevent an accidental short circuit.
- 2 Open drivers door and remove fuse panel on end of dash.
- 3 Open passenger door and remove panel on end of dash.
- 4 Remove (1) Phillips screw from each side exposed.
- 5 Remove (3) screws from top of glove box liner.
- 6 Remove (2) screws from the top-left corner of the glove box cavity.
- 7 Remove (1) Phillips screw from the defroster duct.
- 8 Remove the ductwork and (1) Phillips screw exposed.
- 9 Remove the dash pad and (3) Phillips screws exposed at the top of the radio trim bezel.

Continue to kit assembly.



CHEVROLET • COLORADO 2004-2010
GMC • CANYON 2004-2010
ISUZU • I-290/I-370 2007-2008
I-280/I-350 2006

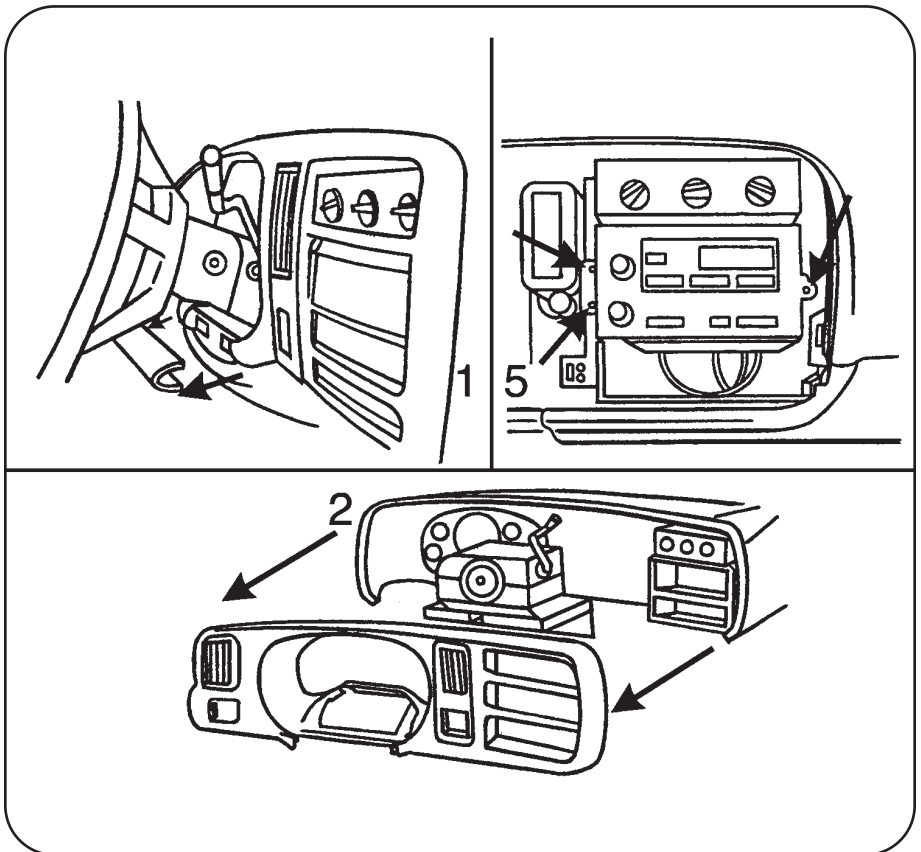
- 1 Disconnect the negative battery terminal to prevent an accidental short circuit.
- 2 Unsnap and remove the entire panel surrounding the radio and A/C controls. (Figure A)
- 3 Remove (3) 9/32" screws securing the radio to remove. (Figure B)
Continue to kit assembly.

Figure A

Figure B


**CHEVROLET • EXPRESS VAN 2001-2002
GMC • SAVANNA 2001-2002**

- 1 Disconnect the negative battery terminal to prevent an accidental short circuit.
- 2 Unsnap and remove small trim panel below steering column.
- 3 Unsnap radio/climate/instrument panel.
- 4 Move shift lever to first gear position.
- 5 Rotate panel counterclockwise to lift over steering column and remove.
- 6 Remove (3) 9/32" hex head screws to remove radio.

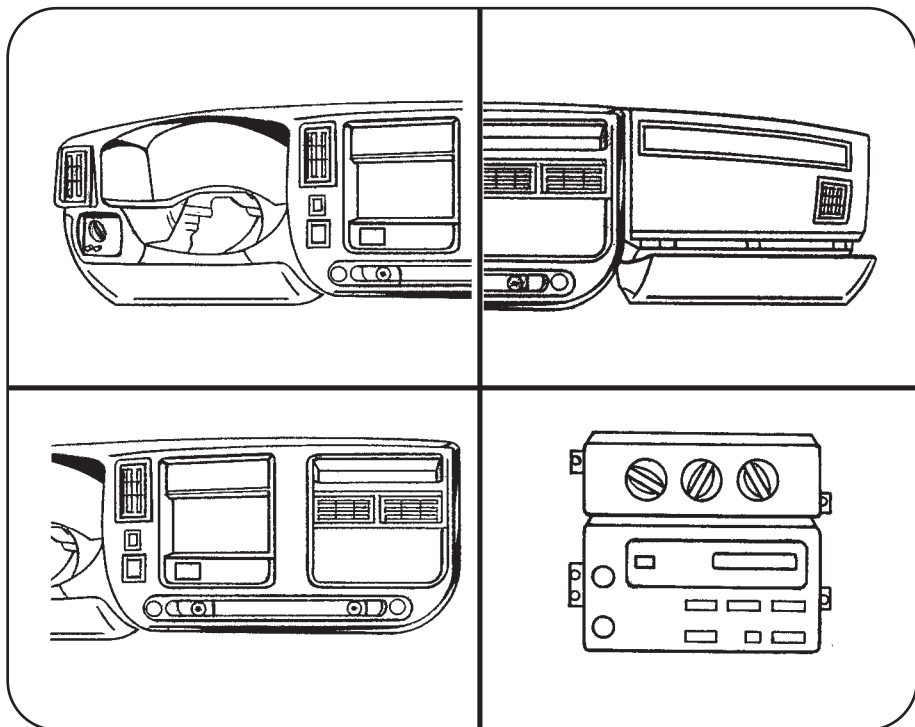
Continue to kit assembly.



**CHEVROLET • EXPRESS VAN 2003-2007
GMC • SAVANNA 2003-2007**

- 1 Disconnect the negative battery terminal to prevent an accidental short circuit.
- 2 Remove (2) 10mm bolts from below knee bolster under steering column and remove panel.
- 3 Remove (2) 10mm bolts from panel below passenger dash airbag and remove panel.
- 4 Remove (2) 10mm nuts from inside center pocket between power outlets.
- 5 Unsnap and remove radio and instrument cluster panel. (May not be necessary to completely remove radio and instrument cluster panel to access radio.)
- 6 Remove (3) 9/32" bolts to remove radio.

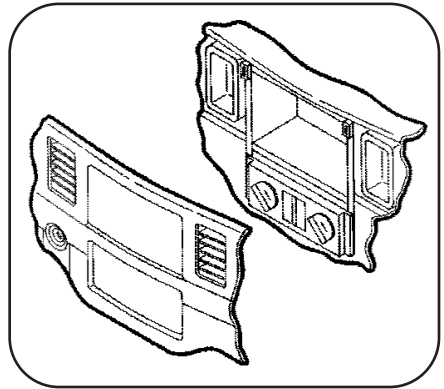
Continue to kit assembly.



CHEVROLET • IMPALA 2000-2005

- 1** Disconnect the negative battery terminal to prevent an accidental short circuit.
- 2** Unclip each side of the dash trim bezel (fuse access) and remove (1) Phillips screw exposed on each side.
- 3** Remove (2) Phillips screws under the instrument cluster.
- 4** Unclip the trim panel above the pedals. (It is not necessary to remove the panel it can be left hanging).
- 5** Remove (2) Phillips screws from the knee panel.
- 6** Unclip the knee panel and remove (1) phillips screw exposed on the right side of the steering column.
- 7** Unclip and remove the entire dash trim bezel.

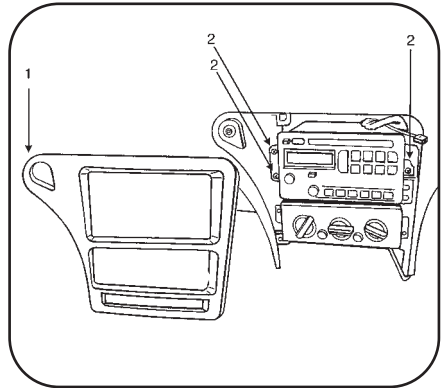
Continue to kit assembly.



**CHEVROLET • MALIBU 2001-2003
MALIBU CLASSIC 2004**

- 1 Disconnect the negative battery terminal to prevent an accidental short circuit.
- 2 Unsnap and remove radio bezel.
- 3 Remove (3) bolts and remove radio.

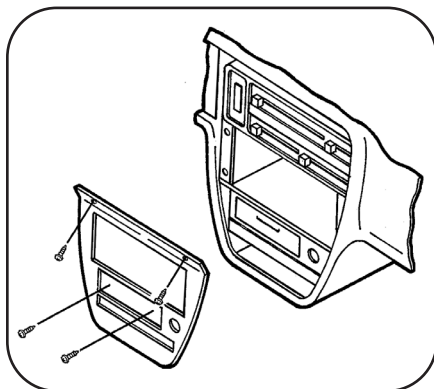
Continue to kit assembly.



**CHEVROLET • METRO 1995-2001
SUZUKI • SWIFT 1995-2001**

- 1** Disconnect the negative battery terminal to prevent an accidental short circuit.
- 2** Remove the ashtray and (2) Phillips screws exposed.
- 3** Remove (2) Phillips screws above the radio opening.
- 4** Unclip the radio trim bezel and disconnect the cigarette lighter wiring.
- 5** Remove (2) screws securing each side of the factory head unit and (1) screw from the rear support.
- 6** Slide the unit out and disconnect the wiring.

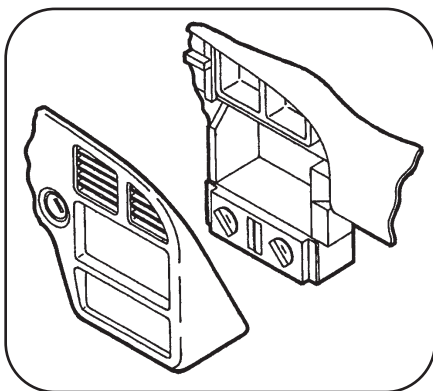
Continue to kit assembly.



CHEVROLET • MONTE CARLO 2000-2005

- 1** Disconnect the negative battery terminal to prevent an accidental short circuit.
- 2** Unclip the trim panel above the pedals. (It is NOT necessary to remove the panel it may be left hanging).
- 3** Remove (2) 9/32" screws from the knee panel and unclip the panel.
- 4** Unsnap the driver's side fuse panel cover and remove (1) 9/32" screw.
- 5** Open the glove box and remove (1) 9/32" screw from the upper left corner.
- 6** Remove (3) 9/32" screws securing the factory radio and disconnect the wiring.

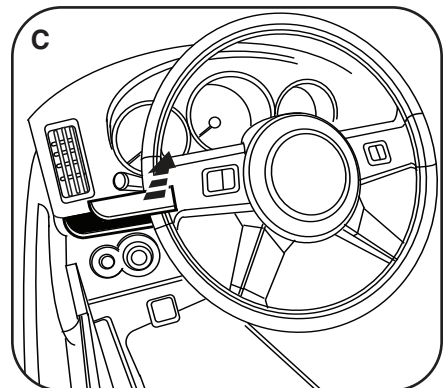
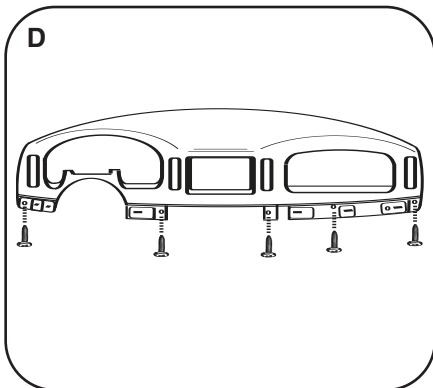
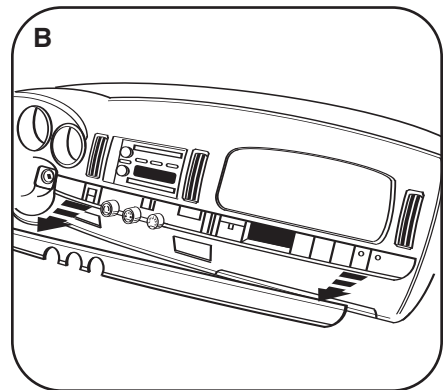
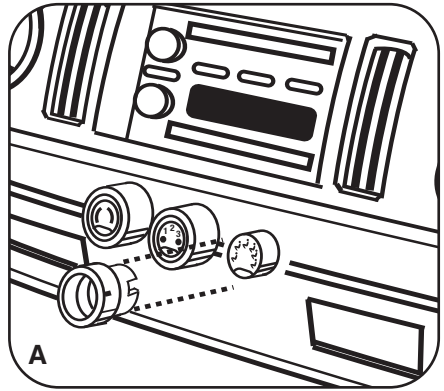
Continue to kit assembly.



CHEVROLET • SSR 2003-2006

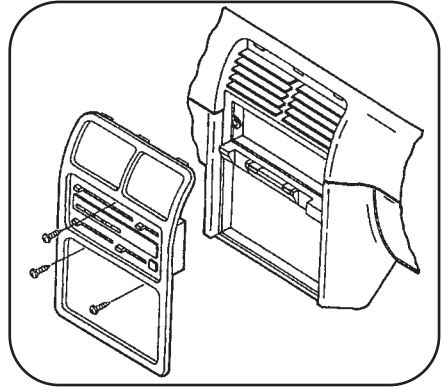
- 1** Disconnect the negative battery terminal to prevent an accidental short circuit.
- 2** Unclip and remove the (3) climate control knobs. (Figure A)
- 3** Unclip and remove the long trim panel below the radio and passenger air bag. (Figure B)
- 4** Unclip and remove the small trim panel to the left of the steering wheel. (Figure C)
- 5** Remove the (5) 9/32" screws securing the radio/instrument panel then unclip and remove the panel. (Figure D)
- 6** Remove the screws securing the factory head unit and disconnect the wiring.

Continue to kit assembly.



CHEVROLET • TRACKER 1992-2004
SUZUKI • SIDEKICK 1992-1998 / VITARA 1999-2005
GRAND VITARA 1999-2002
XL-7 2001-2002

- 1** Disconnect the negative battery terminal to prevent an accidental short circuit.
- 2** Remove the cigarette lighter and climate control knobs.
- 3** Remove the ashtray and (1) screw exposed.
- 4** Pull out on the climate control cluster and remove (2) screws exposed.
- 5** Unclip the radio trim bezel.
- 6** Remove (4) screws from the factory head unit, slide the unit out and disconnect the wiring.

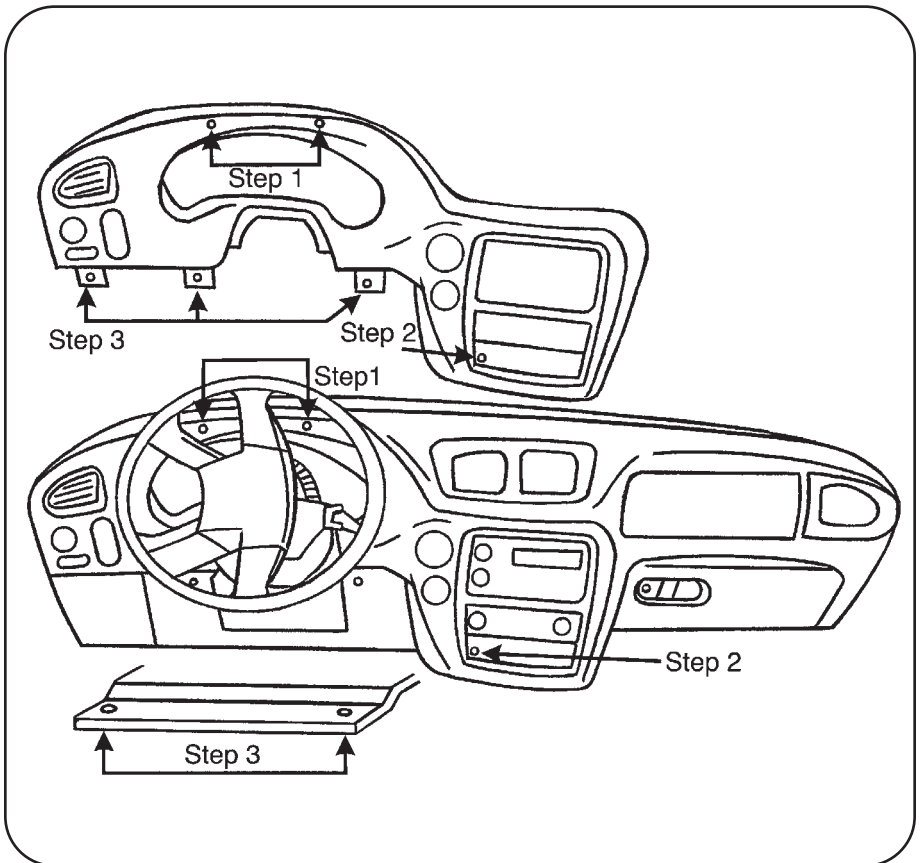


Continue to kit assembly.

CHEVROLET • TRAILBLAZER 2002-2009

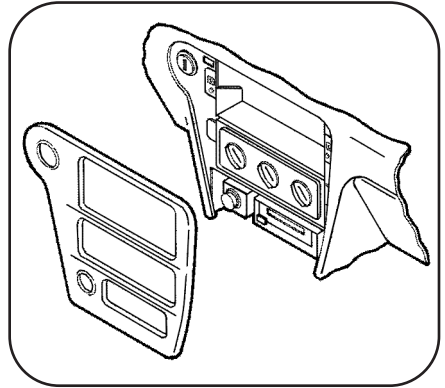
- 1 Disconnect the negative battery terminal to prevent an accidental short circuit.
- 2 Remove (2) Phillips screws inside instrument cluster.
- 3 Remove (1) Phillips screw under climate controls to the left of the power outlet.
- 4 Remove (2) 7mm hex heads from under steering column and lower the panel. Remove (3) Phillips screws around steering wheel.
- 5 Unsnap and remove bezel. (Use caution pulling over hazard switch.) Remove (3) 7mm hex head screws to remove radio.

Continue to kit assembly.



**CHEVROLET • VENTURE 2000
OLDSMOBILE • SILHOUETTE 2000
PONTIAC • MONTANA (EXCEPT SV6) 2000**

- 1** Disconnect the negative battery terminal to prevent an accidental short circuit.
- 2** Remove the ashtray and (1) phillips screw exposed in the ashtray cavity.
- 3** Remove (1) Phillips screw from the cigarette lighter compartment.
- 4** Remove (2) Phillips screws securing the factory head unit and disconnect the wiring.

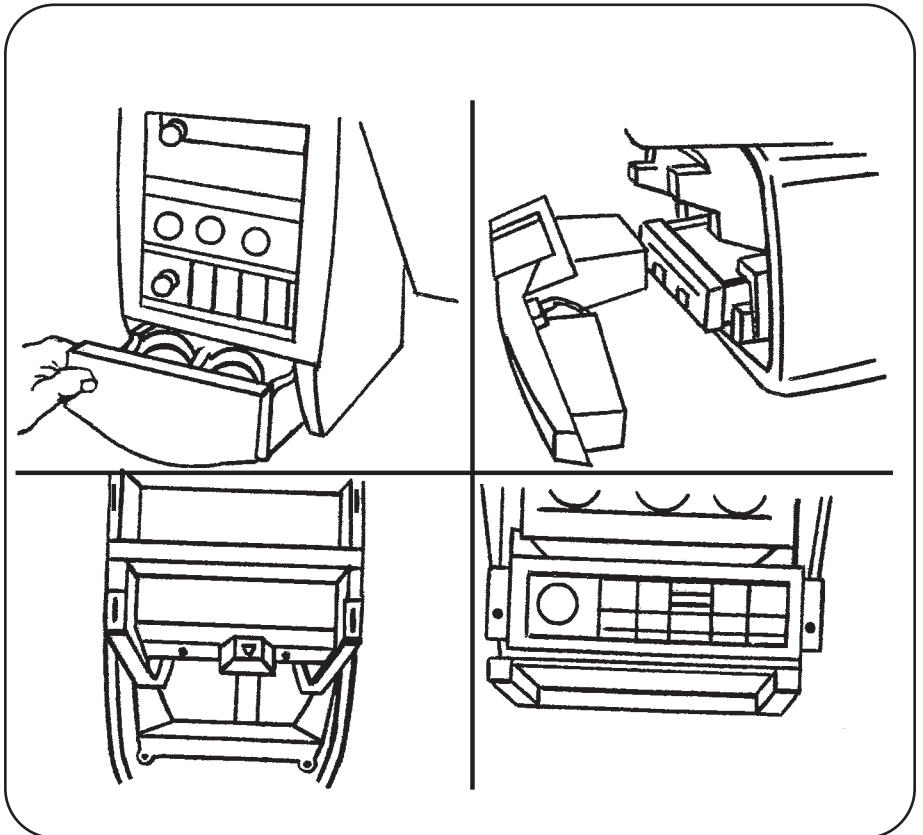


Continue to kit assembly.

CHEVROLET • VENTURE 2001-2005
OLDSMOBILE • SILHOUETTE 2001-2004
PONTIAC • MONTANA (EXCEPT SV6) 2001-2005

- 1 Disconnect the negative battery terminal to prevent an accidental short circuit.
- 2 Remove the ashtray and (1) phillips screw exposed in the ashtray cavity.
- 3 Remove (1) Phillips screw from the cigarette lighter compartment.
- 4 Remove (2) Phillips screws securing the factory head unit and disconnect the wiring.

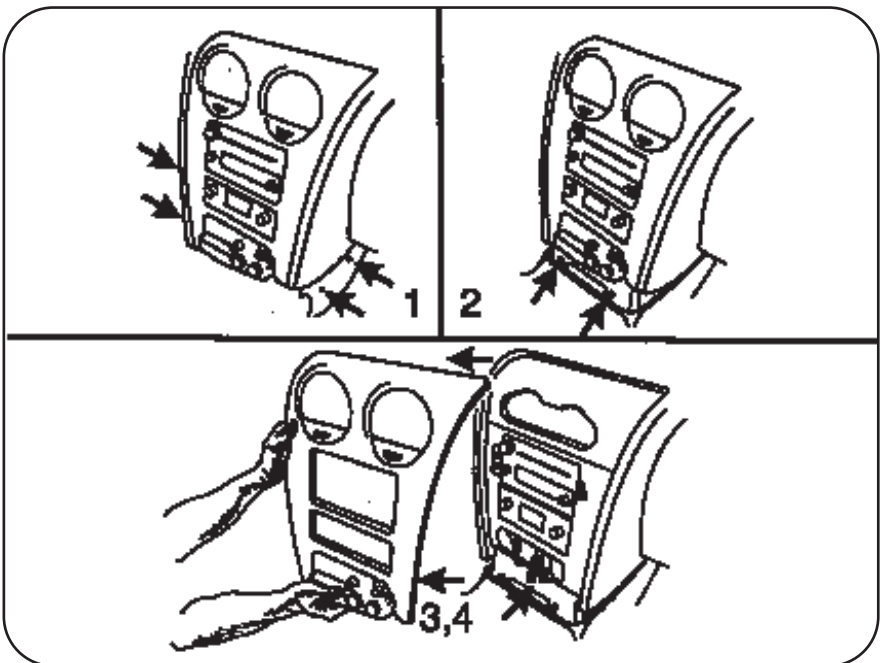
Continue to kit assembly.



**GMC • ENVOY 2002-2009 / ISUZU ASCENDER 2003-2009
 OLDSMOBILE • BRAVADA 1998-2004
 BUICK • RAINIER 2004-2007**

- 1 Disconnect the negative battery terminal to prevent an accidental short circuit.
2. Remove (4) Phillips screws, (2) from left and (2) from right of carpeted panel.
3. Slide carpeted panel down and backwards to reveal (2) Phillips screws and remove.
4. Unsnap radio bezel and unplug cigarette lighter and accessories.
5. Remove (3) screws and remove radio.

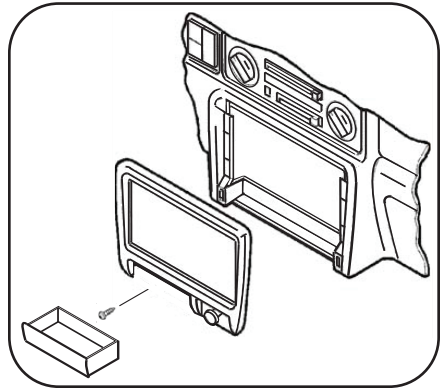
Continue to kit assembly.



HONDA • PASSPORT 1998-2002**ISUZU • AMIGO 1998-2000 / RODEO 1998-2004****RODEO SPORT 2001-2003**

- 1** Disconnect the negative battery terminal to prevent an accidental short circuit.
- 2** Remove the ashtray and (1) Phillips screw exposed in the ashtray cavity. Unclip and remove the trim panel surrounding the factory radio. Remove (4) Phillips screws securing the factory radio and disconnect the wiring.

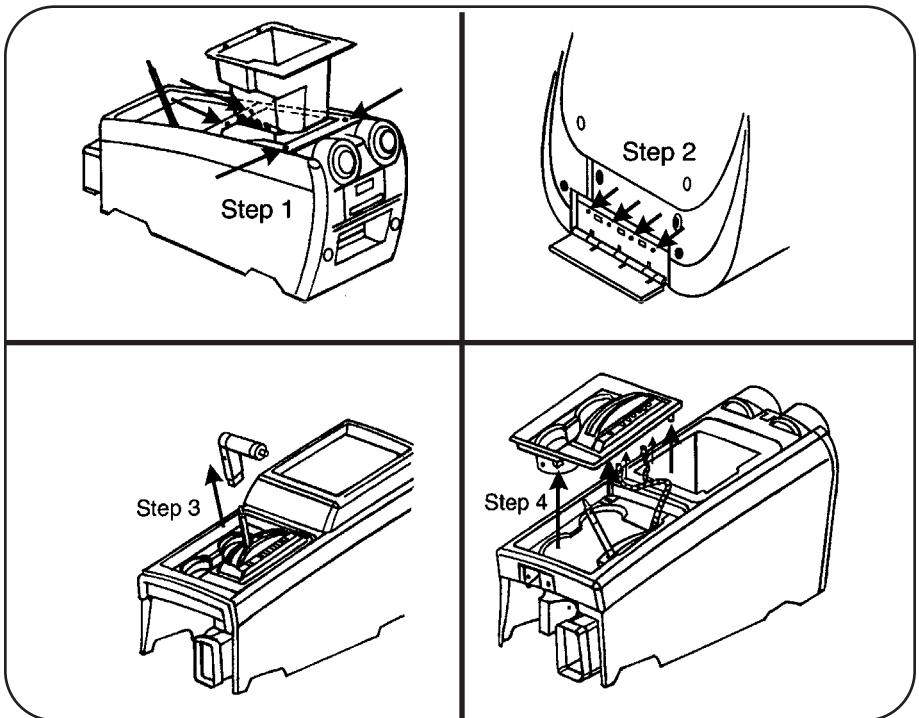
Continue to kit assembly.



HUMMER • H2 2003-2007

- 1** Disconnect the negative battery terminal to prevent an accidental short circuit.
- 2** Open center console and remove (4) 9/32" screws from console box and remove box.
- 3** Remove (4) phillips screws from hinge on console door inside console and remove door.
- 4** Loosen (1) T-15 torx on forward facing side of shift lever and pull up to remove.
- 5** Unclip cup holder/shifter trim assembly and remove.
- 6** Remove (6) Phillips screws from top of center console.
- 7** Remove (2) Phillips screws from inside pocket on back of center console, then unclip and remove.

Continued on page 30.

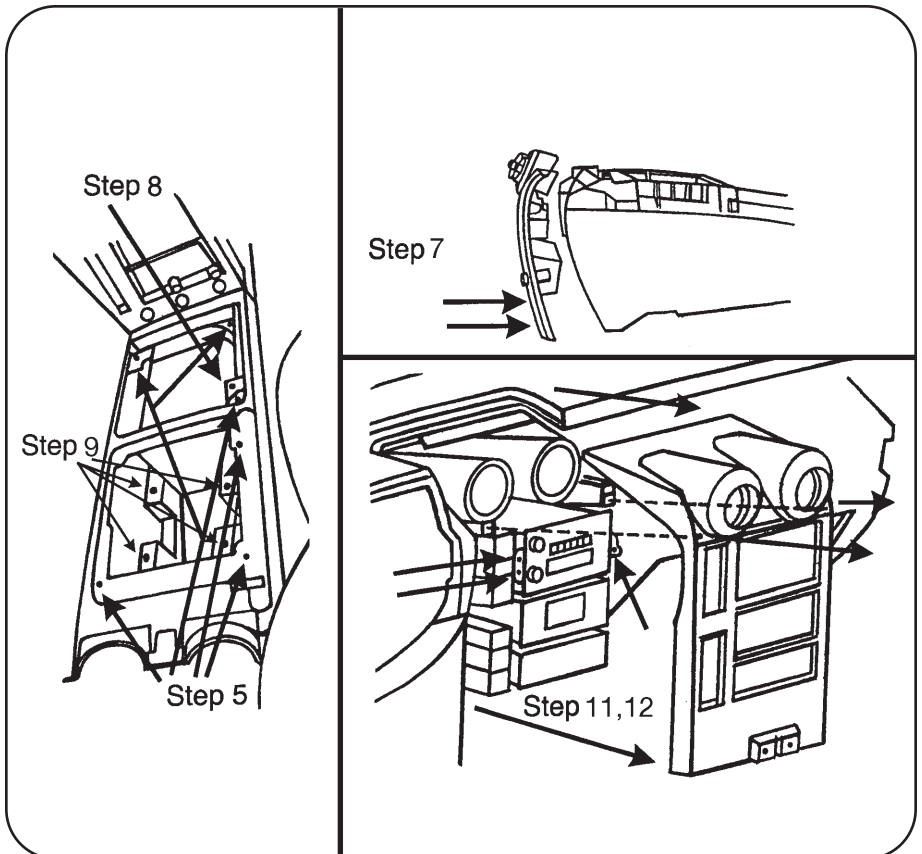


HUMMER • H2 2003-2007

Continued from page 30.

- 8** Remove (1) 10mm bolt to right of shift lever.
- 9** Remove (2) Phillips screws from under console box on drivers side and (2) Phillips screws from under console trimtop on passenger side.
- 10**-Slide control assembly rearwards.
- 11** Remove (2) T-30 torx bolts from top of rado/climate control trim and unclip and remove.
- 12** Remove (3) 9/32" screws that hold the radio in.

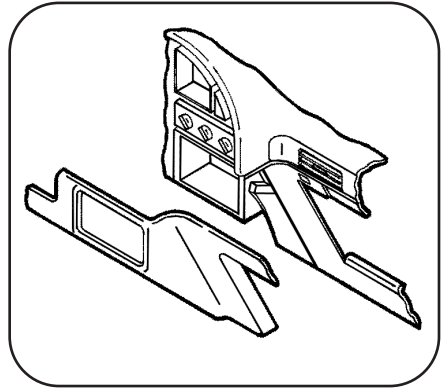
Continue to kit assembly.



OLDSMOBILE • ACHIEVA 1996-

- 1** Disconnect the negative battery terminal to prevent an accidental short circuit.
- 2** Open the glove box, press inward on the walls of the glove box liner and remove the liner.
- 3** Remove (10) torx-head screws from the glove box location.
- 4** Remove (2) 9/32" hex-head screws under the steering column.
- 5** Unclip the dash trim bezel.
- 6** Remove the screws securing the factory head unit and disconnect the wiring.

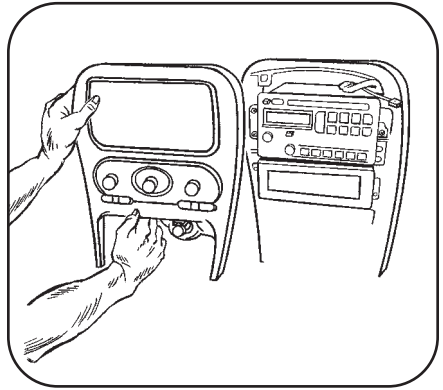
Continue to kit assembly.



OLDSMOBILE • ALERO 1999-2004

- 1** Disconnect the negative battery terminal to prevent an accidental short circuit.
- 2** Remove shift knob by using a small screwdriver to remove U-clip from front of shifter and pull upward.
- 3** Unclip and remove shifter trim panel.
- 4** Unclip and remove radio and climate control panel by pulling from bottom.
- 5** Remove (3) 9/32" screws from radio and remove.

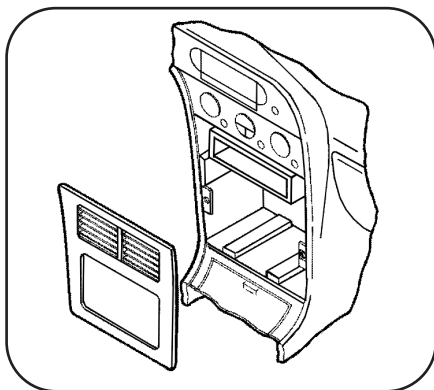
Continue to kit assembly.



OLDSMOBILE • AURORA 1995-2003

- 1** Disconnect the negative battery terminal to prevent an accidental short circuit.
- 2** Unclip the radio trim bezel and remove the bezel.
- 3** Remove (2) 7mm screws securing the factory head unit and disconnect the wiring.

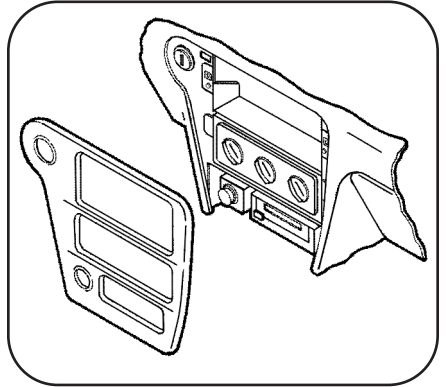
Continue to kit assembly.



**OLDSMOBILE • CUTLASS 1997-1999
CUTLASS SUPREME 1995-1997**

- 1** Disconnect the negative battery terminal to prevent an accidental short circuit.
- 2** Unclip the radio trim bezel and remove.
- 3** Remove (2) 9/32" hex-head screws securing the factory head unit and disconnect the wiring.

Continue to kit assembly.



OLDSMOBILE • EIGHTY EIGHT 1994-1999

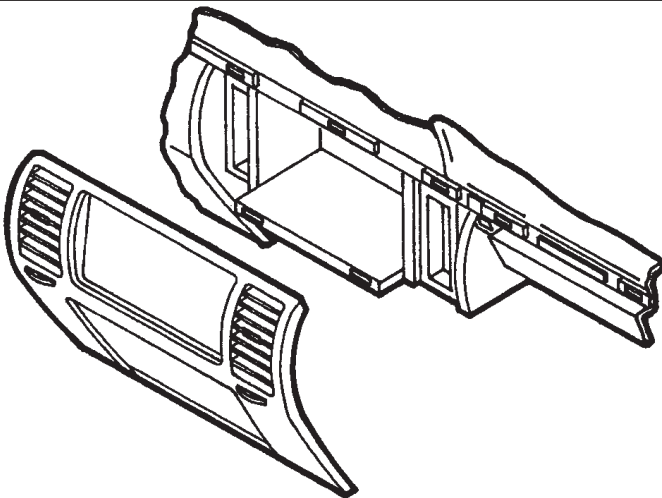
- 1 Disconnect the negative battery terminal to prevent an accidental short circuit.
- 2 Unclip the radio trim bezel and remove.
- 3 Remove (2) 9/32" hex-head screws securing the factory head unit and disconnect the wiring.

Continue to kit assembly.

OLDSMOBILE • NINETY EIGHT 1994-1996

- 1 Disconnect the negative battery terminal to prevent an accidental short circuit.
- 2 Open the glove box and remove (2) hex-head screws securing the wood trim.
- 3 Unsnap the wood trim and remove.
- 4 Remove (2) hex-head screws below the radio trim bezel.
- 5 Lift up on the bezel and remove.
- 6 Remove (3) Phillips hex-head screws securing the factory head unit and disconnect the wiring.

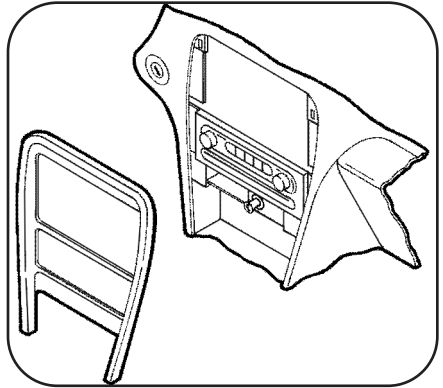
Continue to kit assembly.



OLDSMOBILE • INTRIGUE 1998-2003

- 1 Disconnect the negative battery terminal to prevent an accidental short circuit.
- 2 Open the center console storage compartment and remove (2) 9/32" hex-head screws exposed.
- 3 Remove the center console.
- 4 Unclip the radio trim bezel and remove.
- 5 Remove (2) 9/32" hex-head screws securing the factory head unit and disconnect the wiring.

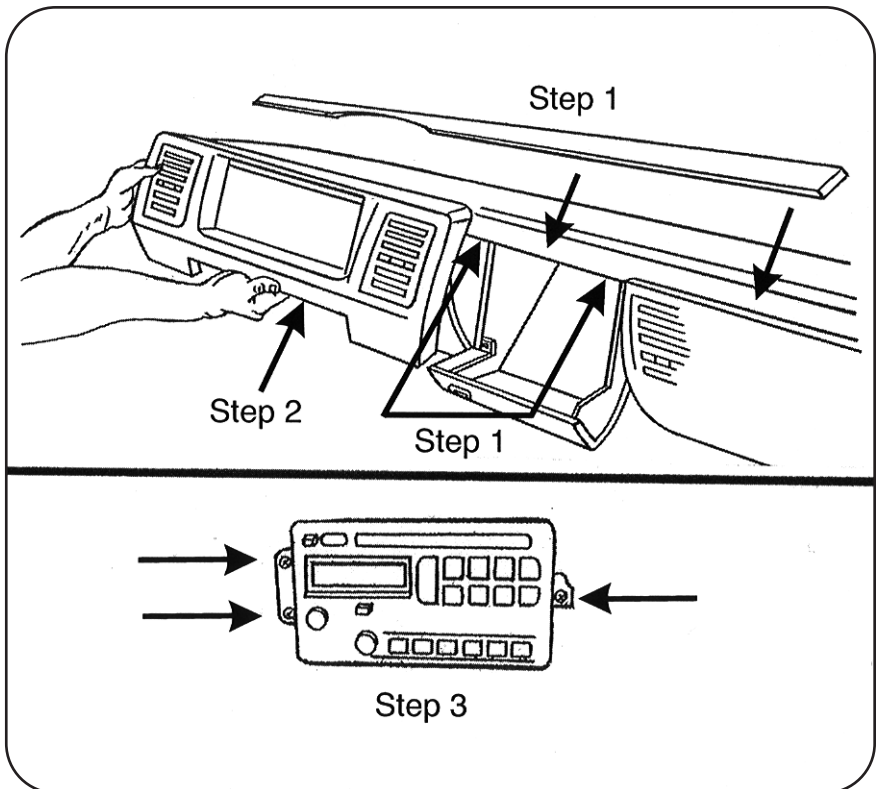
Continue to kit assembly.



OLDSMOBILE • L55 1996-1999 / REGENCY 1997-1998

- 1 Disconnect the negative battery terminal to prevent an accidental short circuit.
- 2 Open glove box and remove two-center trim bezels attached by screws.
- 3 Unsnap and remove radio trim bezel.
- 4 Remove (3) 9/32" hex-head screws and remove radio.

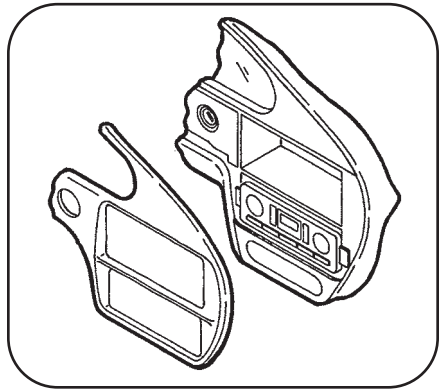
Continue to kit assembly.



PONTIAC • AZTEC 2001-2005

- 1** Disconnect the negative battery terminal to prevent an accidental short circuit.
- 2** Pull out cup holder inserts.
- 3** Remove (1) Phillips screw exposed inside bottom cup holder.
- 4** Unsnap and remove shifter trim with cup holders.
- 5** Remove (2) #15 torx at bottom of radio/climate bezel.

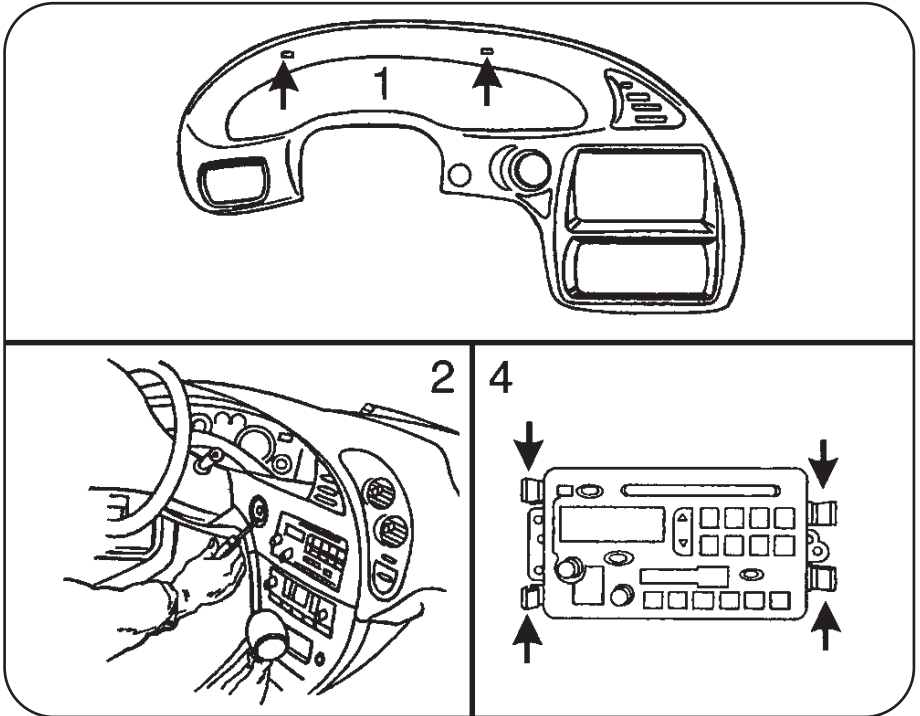
Continue to kit assembly.



PONTIAC • BONNEVILLE 2000-2005

- 1 Disconnect the negative battery terminal to prevent an accidental short circuit.
- 2 Remove (2) Phillips screws from the instrument cluster.
- 3 Unclip the ignition trim and remove.
- 4 Unclip the climate control/radio trim bezel and remove.
- 5 Depress the spring clips on each side of the factory head unit and remove.

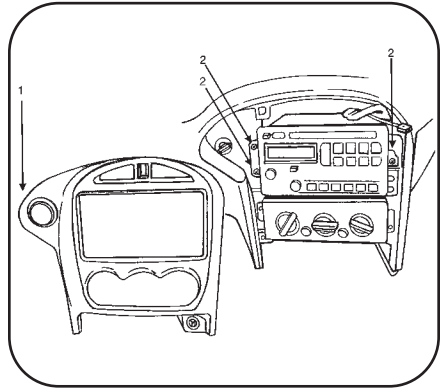
Continue to kit assembly.



PONTIAC • GRAND AM 2001-2005

- 1** Disconnect the negative battery terminal to prevent an accidental short circuit.
- 2** Unsnap and remove radio trim bezel.
- 3** Remove (3) 9/32" screws from radio brackets and remove radio.

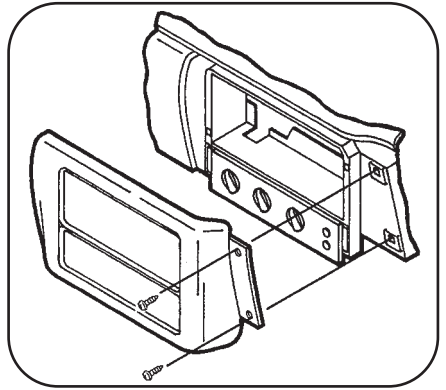
Continue to kit assembly.



PONTIAC • SUNFIRE 2000-2005

- 1** Disconnect the negative battery terminal to prevent an accidental short circuit.
- 2** Open the glove box and remove (2) Phillips screws exposed on the right edge of the radio trim bezel.
- 3** Unclip the bezel and remove.
- 4** Remove (2) 7mm hex-head screws securing the factory head unit and disconnect the wiring.

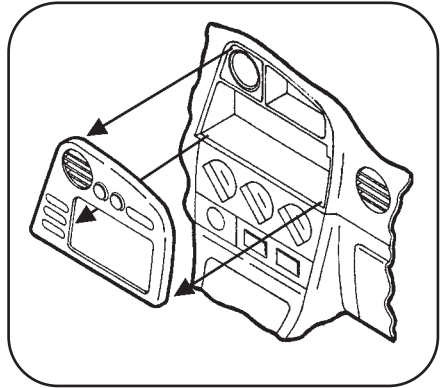
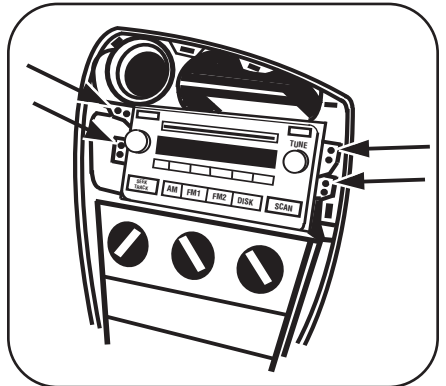
Continue to kit assembly.



**TOYOTA • MATRIX 2003-2004
 PONTIAC • VIBE 2003-2008**

- 1** Disconnect the negative battery terminal to prevent an accidental short circuit.
- 2** Unclip the bottom edge of the radio trim panel then lift up and out to remove. (Figure A)
- 3** Remove (4) 10MM bolts securing the factory radio. (Figure B)

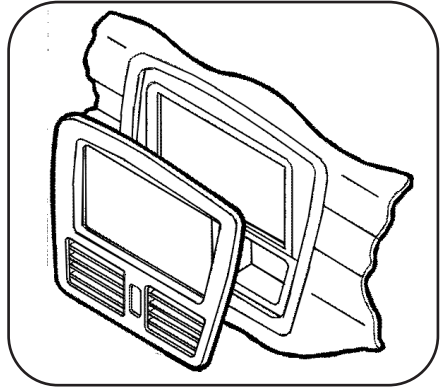
Continue to kit assembly.

A

B


SUZUKI • AERIO 2002

- 1 Disconnect the negative battery terminal to prevent an accidental short circuit.
- 2 Unclip the dash trim bezel and remove.
- 3 Remove (4) Phillips screws securing the factory head unit and disconnect the wiring.

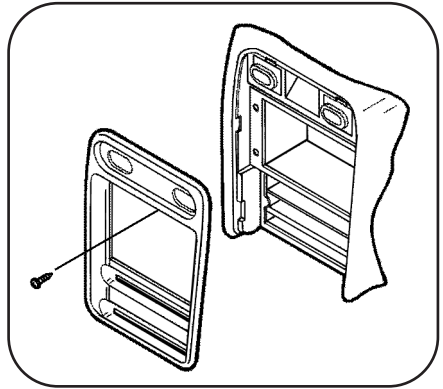
Continue to kit assembly.



SUZUKI • ESTEEM 1995-

- 1** Disconnect the negative battery terminal to prevent an accidental short circuit.
- 2** Remove the climate control knobs.
- 3** Remove (1) Phillips screw located above the radio opening.
- 4** Unclip the radio trim bezel.
- 5** Remove (4) screws from the factory head unit, slide the unit out and disconnect the wiring.

Continue to kit assembly.



CHEVY/GM/METRO/SUZUKI CADILLAC-FLEETWOOD/BROUGHAM

**Note: Refer also to the instructions included with the aftermarket radio.*

1 GM vehicles.

Cut tabs highlighted on both sides of both brackets. (Figure A)

2 CHEVY Tracker/METRO/SUZUKI.

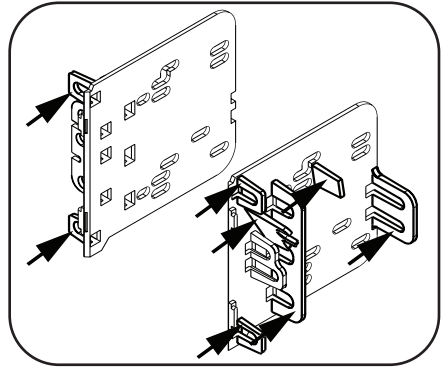
Cut tabs highlighted on both sides of both brackets. (Figure B)

3 CADILLAC Fleetwood/Brougham.

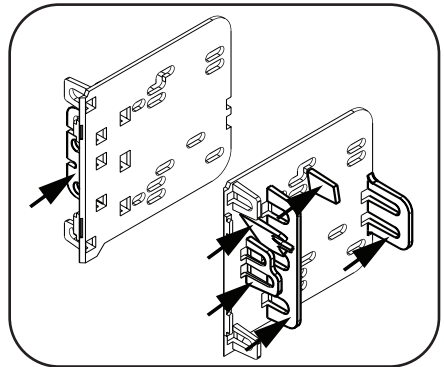
Cut all tabs highlighted on both sides of both brackets. (Figure C)

Continued on page 46.

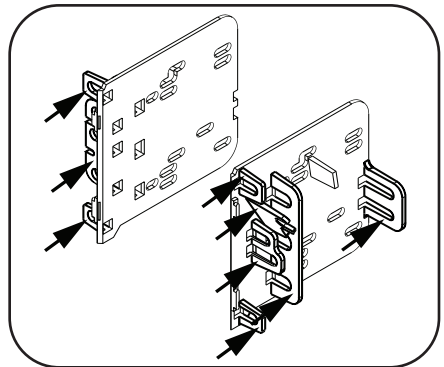
A



B



C



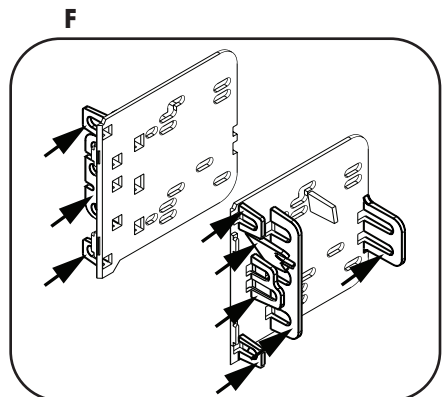
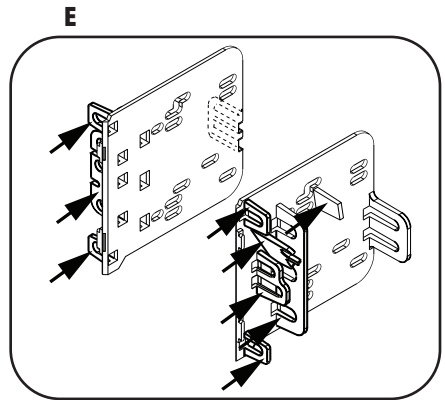
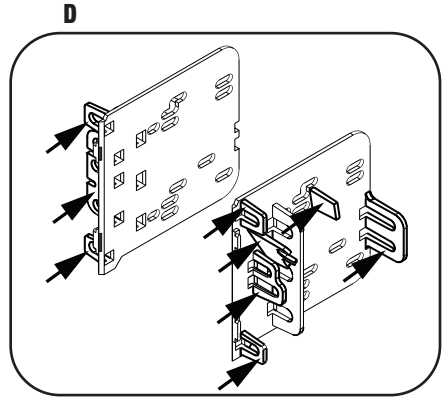
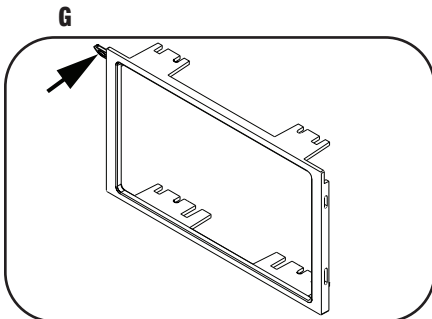
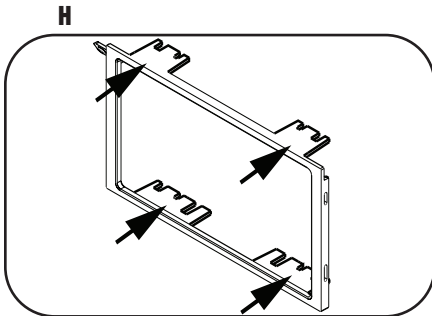
**ISUZU-PONTIAC/TOYOTA/
CADILLAC-ELDORADO/SEVILLE**

**Note: Refer also to the instructions included with the aftermarket radio.*

Continued from page 46.

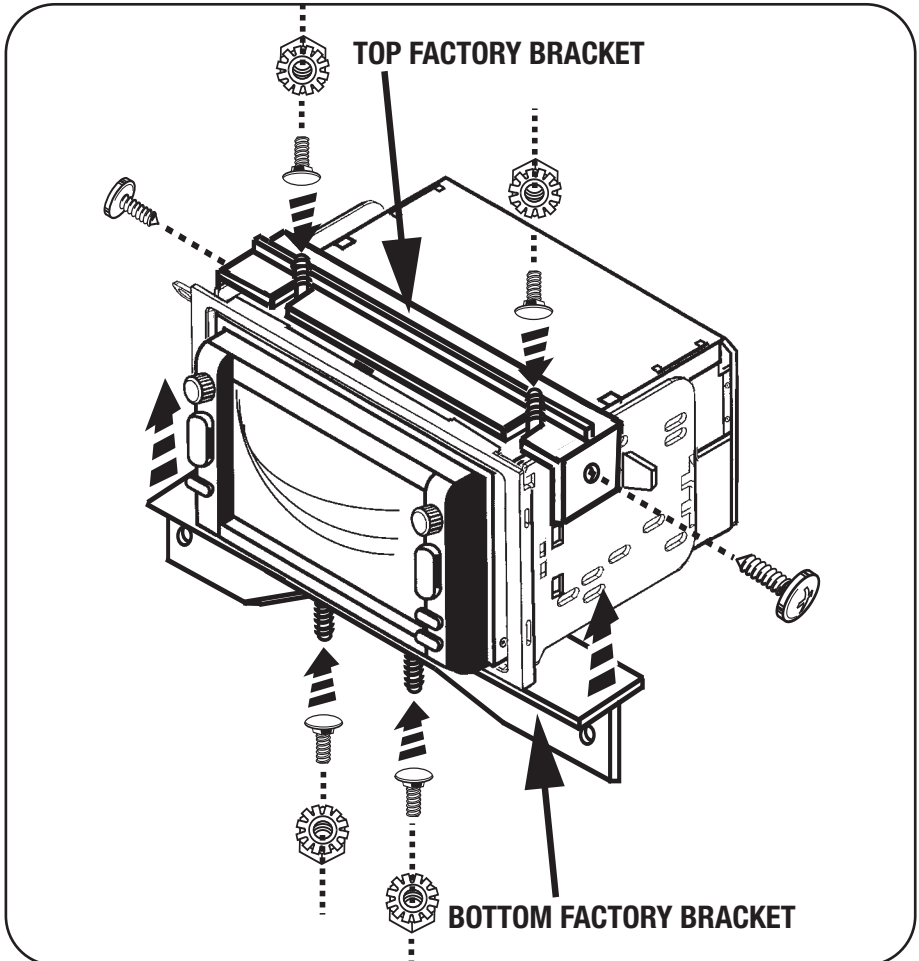
- 4 **ISUZU** Amigo/Rodeo/Rodeo Sport.
Cut tabs highlighted. (Figure D)
- 5 **TOYOTA** Matrix/**PONTIAC** Vibe.
Cut tabs highlighted. (Figure E)
Cut (4) tabs highlighted on double DIN
trim plate. (Figure H)
- 6 **CADILLAC** Eldorado/Seville.
Cut tabs highlighted on double DIN
brackets. (Figure F)
Cut (1) tab highlighted on top left corner
of double DIN trim plate. (Figure G)

Continue to final assembly.



**CADILLAC • FLEETWOOD
FLEETWOOD BROUGHAM 1990-1996
KIT ASSEMBLY WITH FACTORY BRACKETS**

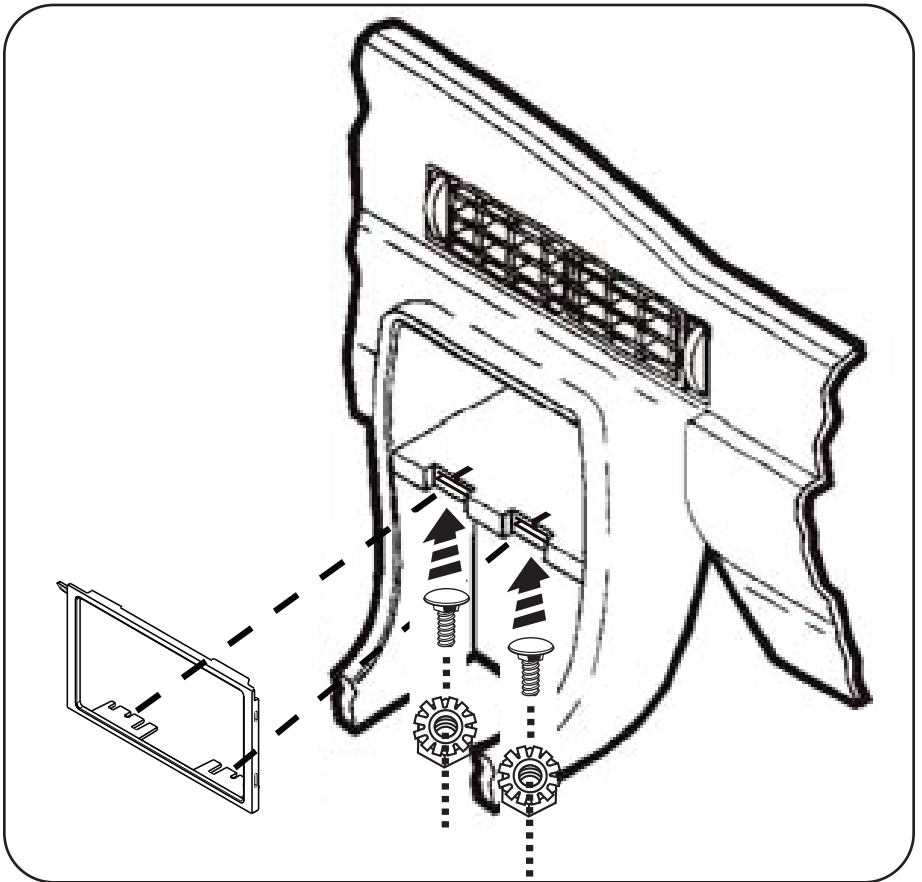
- 1 Using carriage bolts and Keps nuts supplied, mount the factory brackets to the double DIN trim plate/double DIN bracket assembly, keeping in mind which bracket is top and which one is bottom.



**CADILLAC • ELDORADO 1992-1995
SEVILLE 1992-1995**

- 1 Disconnect the negative battery terminal to prevent an accidental short circuit.
- 2 Align the tabs on the bottom of the double DIN trim plate with notches in sub dash.
- 3 Secure with the (2) Carriage bolts and (2) Kep nuts provided.

Continue to kit assembly.



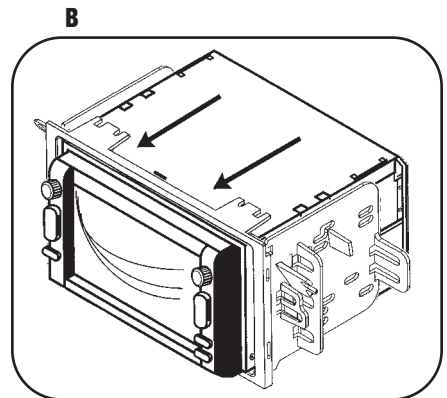
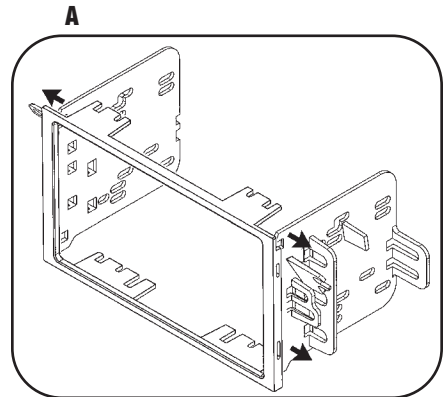
DOUBLE DIN RADIO PROVISION STACKED ISO MOUNT UNIT(S) PROVISION

**Note: Refer also to the instructions included with the aftermarket radio.*

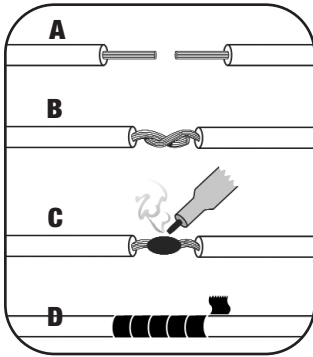
- 1 Snap the Double DIN brackets to the edge of the Double DIN trim plate. (Figure A)
- 2 Slide the Double DIN head unit or stacked ISO head units into the bracket/radio housing assembly and secure the Double DIN head unit or stacked ISO head units to the assembly using the screws supplied with the radio. (Figure B)

Note: For the Buick Le Sabre, Oldsmobile Aurora and the Pontiac Bonneville the (3) speed clips and screws provided with the kit will need to be installed into the sub dash where the screw holes line up on the kit.

Continue to final assembly.



FINAL ASSEMBLY



(A) Strip wire ends back 1/2"

B) Twist ends together

C) Solder

D) Tape

- 1** Locate the factory wiring harness in the dash. Metra recommends using the proper mating adapter and making connections as shown. (Isolate and individually tape off the ends of any unused wires to prevent electrical short circuit.)
- 2** Re-connect the negative battery terminal and test the unit for proper operation.
- 3** Reassemble radio and dash assemblies in reverse order of disassembly.

FINAL WIRING CONNECTIONS

Make wiring connections using the EIA color code chart shown below and the instructions included with the head unit. Metra recommends making connections as shown below; Strip, Splice, Solder, Tape. Isolate and individually tape off ends of any unused wires to prevent electrical short circuit.

METRA / EIA WIRING CODE

12V Ignition / Acc. Red	Right Front (+) Gray
12V Batt / Memory Yellow	Right Front (-) Gray/ Black
Ground Black*	Left Front (+) White
Power Antenna Blue	Left Front (-) White / Black
Amp Turn-On Blue / White	Right Rear (+) Violet
Amp Ground Black / White	Right Rear (-) Violet / Black
Illumination Orange	Left Rear (+) Green
Dimmer Orange / White	Left Rear (-) Green / Black

***NOTE:** When a Black wire is not present, ground radio to vehicle chassis.
All colors may not be present on all leads due to manufacturer's specifications.

95-2009 INSTRUCTIONS



1-800-221-0932



www.metraonline.com

REV. 04/15/09 © COPYRIGHT 2004-2009 METRA ELECTRONICS CORPORATION INST95-2009

Free Manuals Download Website

<http://myh66.com>

<http://usermanuals.us>

<http://www.somanuals.com>

<http://www.4manuals.cc>

<http://www.manual-lib.com>

<http://www.404manual.com>

<http://www.luxmanual.com>

<http://aubethermostatmanual.com>

Golf course search by state

<http://golfingnear.com>

Email search by domain

<http://emailbydomain.com>

Auto manuals search

<http://auto.somanuals.com>

TV manuals search

<http://tv.somanuals.com>