



INSTALLATION INSTRUCTIONS FOR PART 95-5818

APPLICATIONS

FORD

F-150 2004 Heritage / F-150 1997-2003

Expedition 1997-2002

F650 2005-2008

LINCOLN

Navigator 1997-2002/Blackwood 2001-2003

95-5818

KIT FEATURES

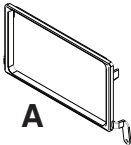
- Double DIN Head Unit Provision
- Stacked ISO Mounts Units Provision

NOTE: Major sub dash modifications are necessary to use this dash kit. You will need to trim the sub dash to gain suitable depth and height.



KIT COMPONENTS

- A) & B) (2) Double Din Trim Plates
- C) Double Din Brackets



A

WIRING AND ANTENNA CONNECTIONS

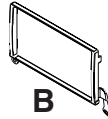
(Sold Separately)

Wiring Harness:

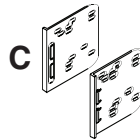
- See www.metraonline.com for specific interface

Antenna Adapter:

- Not required



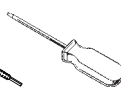
B



C

TOOLS REQUIRED:

- Dremel or Suitable Cutting Tool
- Small Flat Blade Screwdriver
- Panel Removal Tool
- Socket Wrench
- Metra 86-5618 Removal Keys



1-800-221-0932



www.metraonline.com

© COPYRIGHT 2009-10 METRA ELECTRONICS CORPORATION



TABLE OF CONTENTS

Dash Disassembly

**-150 2004 Heritage / F-150 1997-2003 / Expedition 1997-2002 /
F650 2005-20081**

Lincoln

-Lincoln Navigator 1997-2002 / Blackwood 2001-20031

Kit Assembly

- Double DIN/Stacked ISO Mount Units Provision 2

***Note:**

Refer also to the instructions included with the aftermarket radio.



KNOWLEDGE IS POWER

Enhance your installation and fabrication skills by enrolling in the most recognized and respected mobile electronics school in our industry. Log onto www.installerinstitute.com or call 800-354-6782 for more information and take steps toward a better tomorrow.

FORD F-150 2004 HERITAGE/F-150 1997-2003

EXPEDITION 1997-2002/

F650 2005-2008/

LINCOLN NAVIGATOR 1997-2002/BLACKWOOD 2001-2003

1 Disconnect the negative battery terminal to prevent an accidental short circuit.

2 Unclip and remove the panel surrounding the radio. (Figure A)

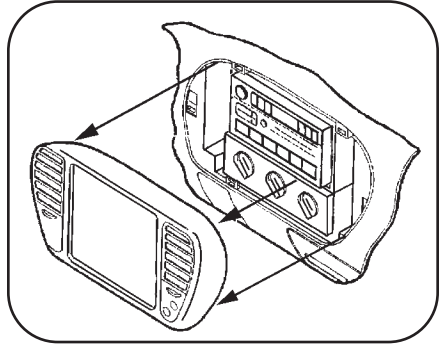
3 Using the Metra 86-5618 removal keys, slide the radio out of the radio cavity. Unplug and remove the radio. (Figure B)

4 Remove the (4) 7 MM screws at the sides of the factory climate control and remove the factory climate control. (Figure C)

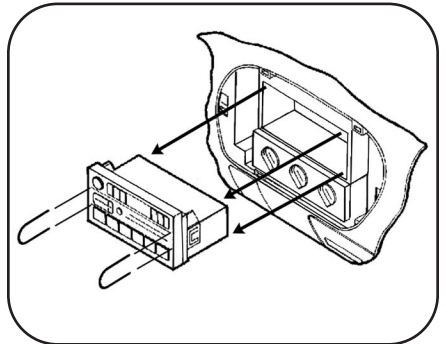
5 Cut and remove obstructions in dash cavity. (Be careful not to cut into harnesses or electronic components) (Figure D)

Continue to kit assembly.

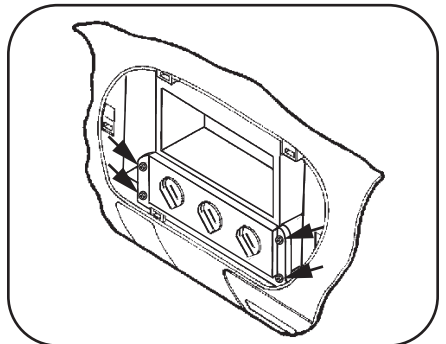
A



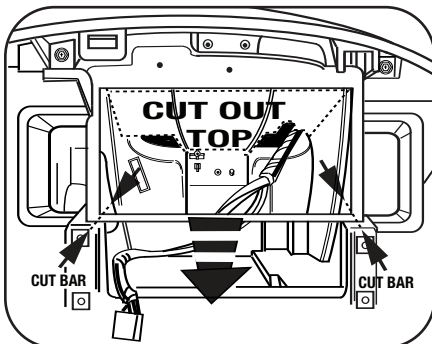
B



C



D

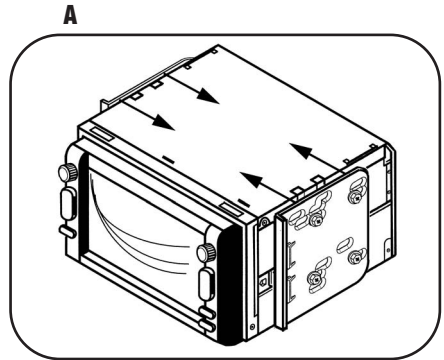


DOUBLE DIN/STACKED ISO MOUNT UNIT(S) PROVISION

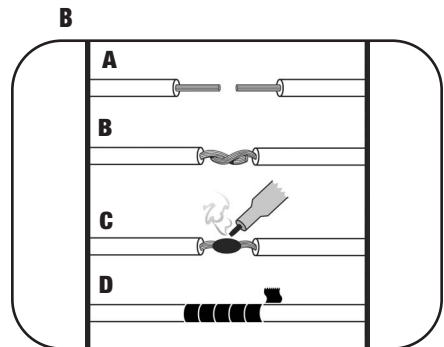
**Note: Refer also to the instructions included with the aftermarket radio.*

NOTE: Major sub dash modifications are necessary to use this dash kit. You will need to trim the sub dash to gain suitable depth and height.

- 1 Attach the double DIN brackets to the double DIN or stacked ISO Mount unit(s) using the screws supplied with the unit(s). (Figure A)



- 2 Locate the factory wiring harness in the dash. Metra recommends using the proper mating adapter and making the connections as shown. (Isolate and individually tape off the ends of any unused wires to prevent electrical short circuit). (Figure B)
- 3 Re-connect the negative battery terminal and test the unit for proper operation.



(A) Strip wire ends back 1/2"

B) Twist ends together

C) Solder

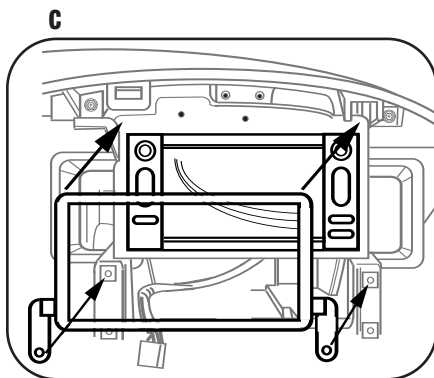
D) Tape

Continued on page 3.

NOTE: Major sub dash modifications are necessary to use this dash kit. You will need to trim the sub dash to gain suitable depth and height.

Continued from page 2.

- 4 Slide the double DIN radio or stacked ISO Mount unit assembly into the modified sub dash until it clicks into place.
- 5 Attach the appropriate double DIN trim plate using the top 2 screw positions of the climate control. (Figure C)
- 6 Reassemble the rest of the dash in reverse order of disassembly.



FINAL WIRING CONNECTIONS

Make wiring connections using the EIA color code chart shown below and the instructions included with the head unit. Metra recommends making connections shown below; Strip, Splice, Solder, Tape. Isolate and individually tape off ends of any unused wires to prevent electrical short circuit.

METRA / EIA WIRING CODE

12V Ignition / Acc. Red	Right Front (+) Gray
12V Batt / Memory Yellow	Right Front (-) Gray / Black
Ground Black*	Left Front (+) White
Power Antenna Blue	Left Front (-) White / Black
Amp Turn-On Blue / White	Right Rear (+) Violet
Amp Ground Black / White	Right Rear (-) Violet / Black
Illumination Orange	Left Rear (+) Green
Dimmer Orange / White	Left Rear (-) Green / Black

****NOTE: When a Black wire is not present, ground radio to vehicle chassis. All colors may not be present on all leads due to manufacturer's specifications.***

Enjoy your newly installed radio!

95-5818 INSTRUCTIONS



1-800-221-0932



www.metraonline.com

REV. 06/08/10 © COPYRIGHT 2009-10 METRA ELECTRONICS CORPORATION INST95-5818

Free Manuals Download Website

<http://myh66.com>

<http://usermanuals.us>

<http://www.somanuals.com>

<http://www.4manuals.cc>

<http://www.manual-lib.com>

<http://www.404manual.com>

<http://www.luxmanual.com>

<http://aubethermostatmanual.com>

Golf course search by state

<http://golfingnear.com>

Email search by domain

<http://emailbydomain.com>

Auto manuals search

<http://auto.somanuals.com>

TV manuals search

<http://tv.somanuals.com>