



INSTALLATION INSTRUCTIONS FOR PART 95-7337B

APPLICATIONS

KIA Soul 2010

95-7337B

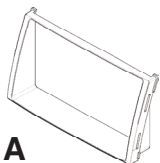
KIT FEATURES

- DDIN Head Unit Provision
- ISO Stacked Head Unit Provision
- Painted Matte Black

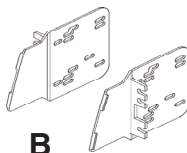


KIT COMPONENTS

A) Double DIN Trim Plate B) Double DIN Brackets



A



B

WIRING AND ANTENNA CONNECTIONS (Sold Separately)

Harness:

- 70-7303 - Kia / Hyundai Harness 2009-up

Antenna Adapter:

- 40-K111 - Kia / Hyundai Antenna Adapter 2007-up

TOOLS REQUIRED:

- Small Flat Blade Screwdriver
- Panel Removal Tool
- Phillips Screwdriver



1-800-221-0932



www.metraonline.com

© COPYRIGHT 2007-2009

METRA ELECTRONICS CORPORATION

TABLE OF CONTENTS

Dash Disassembly

- KIA Soul 2010 1

Kit Assembly

- DDIN / Stacked ISO DIN Head Unit Provisions 2

Final Assembly 3

***Note:**

Refer also to the instructions included with the aftermarket radio.



KNOWLEDGE IS POWER

Enhance your installation and fabrication skills by enrolling in the most recognized and respected mobile electronics school in our industry. Log onto www.installerinstitute.com or call 800-354-6782 for more information and take steps toward a better tomorrow.

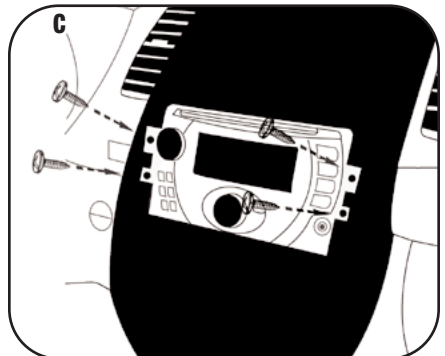
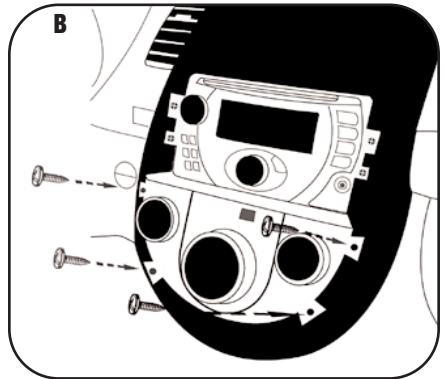
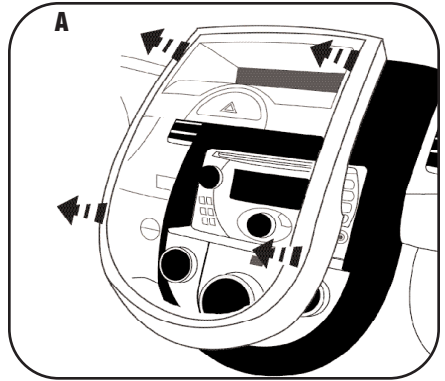


Metra recommends MECP certified technicians.

KIA SOUL 2010

- 1** Disconnect the negative battery terminal to prevent an accidental short circuit.
- 2** Unclip and remove the radio/climate control trim panel. (Figure A)
- 3** Remove (4) Phillips screws securing the climate control. (Figure B)
- 4** Remove (4) Phillips screws securing the radio. (Figure C)

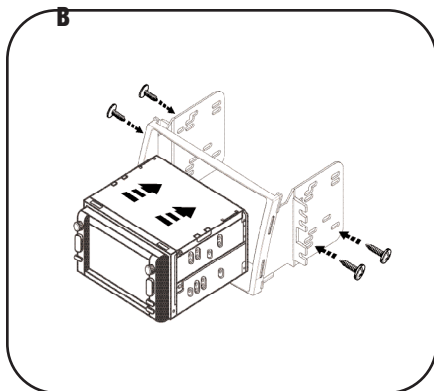
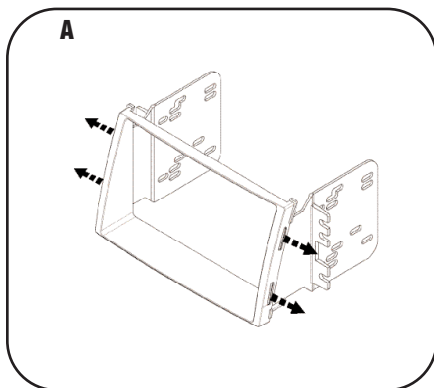
Continue to kit assembly.



DOUBLE DIN / STACKED ISO DIN HEAD UNIT PROVISIONS

**Note: Refer also to the instructions included with the aftermarket radio.*

- 1** Locate the factory wiring harness in the dash. Metra recommends using the proper mating adapter from Metra or AXXESS. Re-connect the negative battery terminal and test the unit for proper operation.
- 2** Attach the Double DIN brackets to the Double DIN Trim Plate. (Figure A)
- 3** Slide the radio into the bracket/radio housing assembly and secure using the screws supplied with the radio. (Figure B)
- 4** Reassemble dash in reverse order of disassembly.



NOTES

NOTES

NOTES

95-7337B INSTRUCTIONS



1-800-221-0932



www.metraonline.com

REV. 11/03/09 © COPYRIGHT 2003-2009 METRA ELECTRONICS CORPORATION INST95-7337B

Free Manuals Download Website

<http://myh66.com>

<http://usermanuals.us>

<http://www.somanuals.com>

<http://www.4manuals.cc>

<http://www.manual-lib.com>

<http://www.404manual.com>

<http://www.luxmanual.com>

<http://aubethermostatmanual.com>

Golf course search by state

<http://golfingnear.com>

Email search by domain

<http://emailbydomain.com>

Auto manuals search

<http://auto.somanuals.com>

TV manuals search

<http://tv.somanuals.com>