



INSTALLATION INSTRUCTIONS FOR PART 99-7423

APPLICATIONS

NISSAN Altima 2007-2011

99-7423

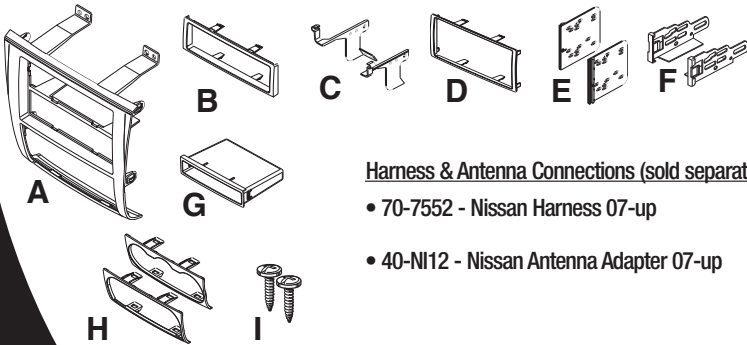
KIT FEATURES

- DIN Radio Provision with Pocket
- ISO Mount Radio Provision with Pocket
- Double DIN Radio Provision
- Stacked ISO Mount Units Provision



KIT COMPONENTS

- A) Radio Housing • B) Radio Housing Trim Plate • C) Radio Housing Brackets
- D) Double DIN Trim Plate • E) Double DIN Brackets • F) ISO Brackets • G) Pocket
- H) (2) Climate Control Trim Panels • I) (2) #8 3/8" Screws



TOOLS REQUIRED:

- Flat Blade Screwdriver/ Panel Removal Tool
- Phillips Screwdriver • Torx Screwdriver



1-800-221-0932



www.metraonline.com

© COPYRIGHT 2007-2010 METRA ELECTRONICS CORPORATION

TABLE OF CONTENTS

Dash Disassembly

- NISSAN Altima 2007 -2011 1

Kit Preparation 2

Kit Assembly

- DIN Radio Provision with Pocket 3

- ISO Mount Radio Provision with Pocket 4

- Double DIN Radio Provision 5

- Stacked ISO Units Provision 6

Final Assembly 7

***Note:**

Refer also to the instructions included with the aftermarket radio.



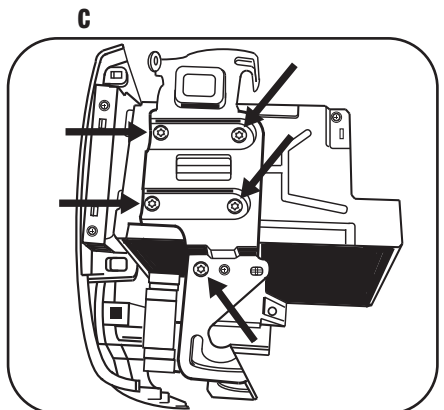
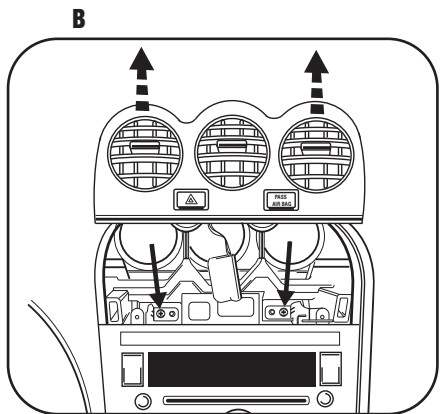
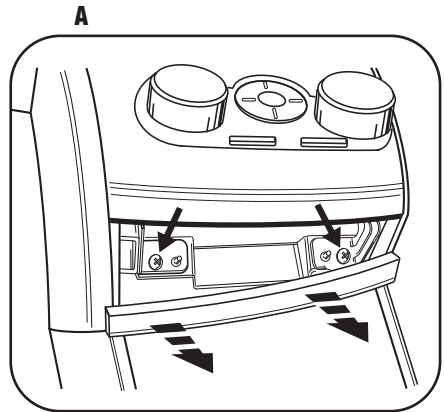
KNOWLEDGE IS POWER

Enhance your installation and fabrication skills by enrolling in the most recognized and respected mobile electronics school in our industry. Log onto www.installerinstitute.com or call 800-354-6782 for more information and take steps toward a better tomorrow.

NISSAN ALTIMA 2007-2011

- 1** Disconnect the negative battery terminal to prevent an accidental short circuit.
- 2** Unclip and remove trim panel between the shifter and the radio/ climate control panel. (Figure A)
- 3** Remove (2) Phillips screws exposed behind panel below radio/climate control panel. (Figure A)
- 4** Unclip and remove the climate control vent trim panel then remove (2) Phillips screws exposed behind panel. (Figure B)
- 5** Unclip, unplug and remove entire radio/climate control panel. (Figure B)
- 6** Remove (5) T-20 Torx screws securing the radio/climate control brackets then unclip and remove the climate control. (Retain the factory climate controls for reuse during kit assembly.) (Figure C)

Continue to kit assembly.



NISSAN ALTIMA 2007-2011

1 Clip the corresponding climate control trim panel into the radio housing.

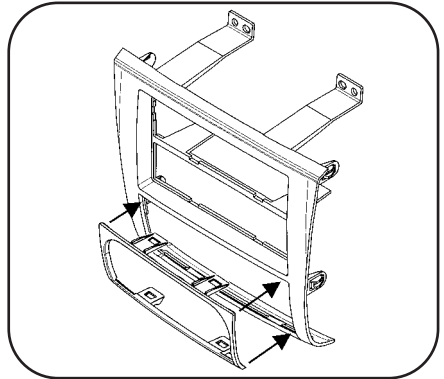
Note: There are (2) different climate control trim panels. One for auto climate control and one for manual climate control. (Figure A)

2 Attach the (2) radio housing brackets to the climate controls using the factory screws. (Figure B)

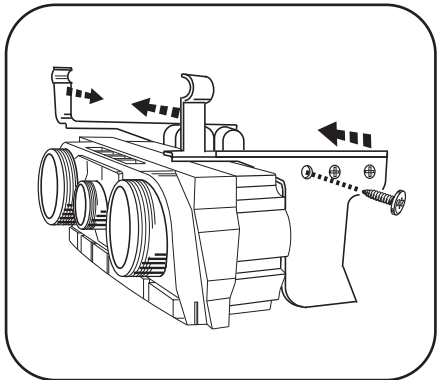
3 Attach the bracket/climate control assembly to the radio housing using the (2) #8 3/8" screws supplied with this kit. (Figure C)

Continue to kit assembly.

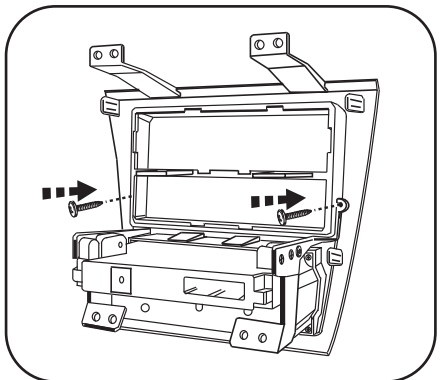
A



B



C

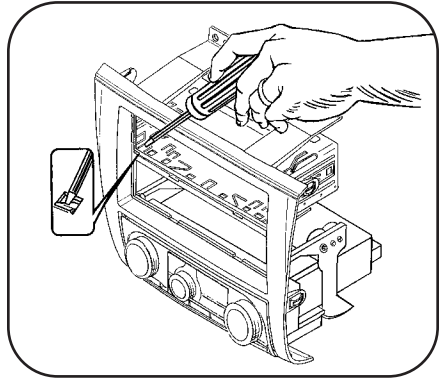
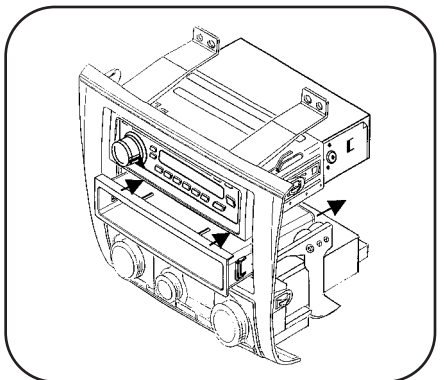
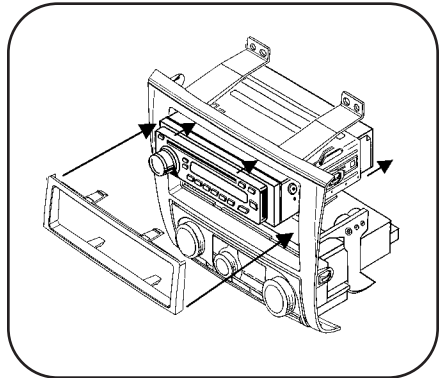


DIN RADIO PROVISION WITH POCKET

**Note: Refer also to the instructions included with the aftermarket radio.*

- 1 Slide the DIN cage into the Radio Housing and secure by bending the metal locking tabs outward. (Figure A)
- 2 Slide the aftermarket radio into the cage until it snaps into place. (Figure B)
- 3 Attach the radio housing trim plate supplied with the kit to the assembly.
- 4 Snap in the pocket into the assembly. (Figure C)

Continue to final assembly.

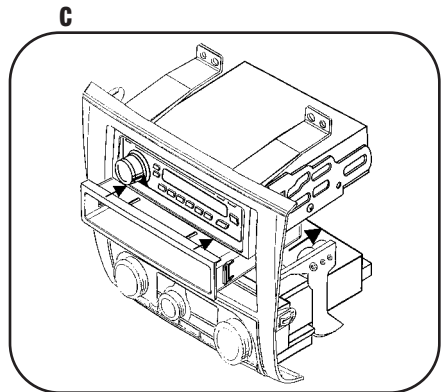
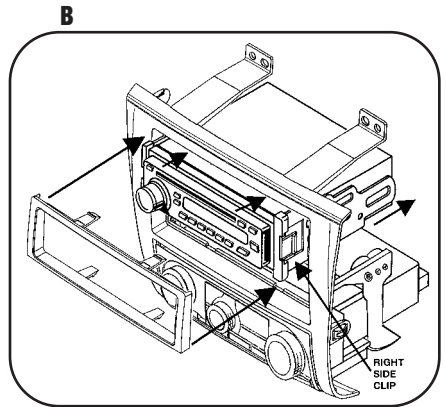
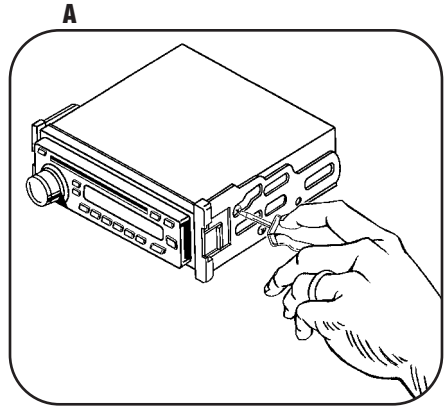
A

B


ISO MOUNT RADIO PROVISION WITH POCKET

**Note: Refer also to the instructions included with the aftermarket radio.*

- 1 Mount the ISO Brackets to the radio with the screws supplied with the radio. (Figure A)
- 2 Slide the radio into the radio housing until it snaps into place. (Figure B)
- 3 Attach the radio housing trim plate supplied with the kit to the assembly. (Figure B)
- 4 Snap the pocket into the assembly. (Figure C)

Continue to final assembly.



DOUBLE DIN RADIO PROVISION

**Note: Refer also to the instructions included with the aftermarket radio.*

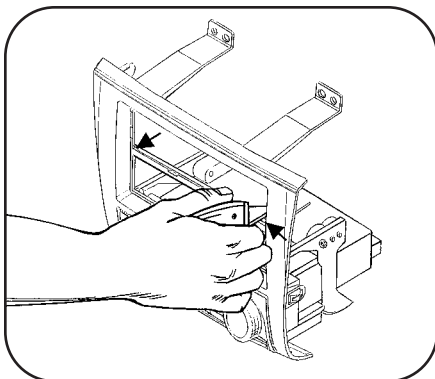
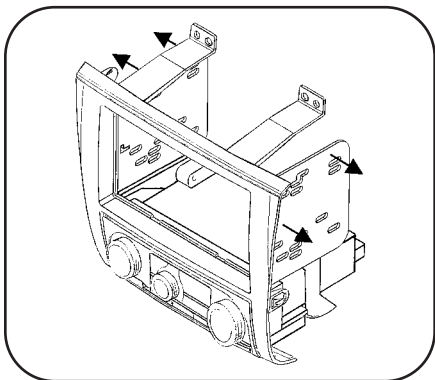
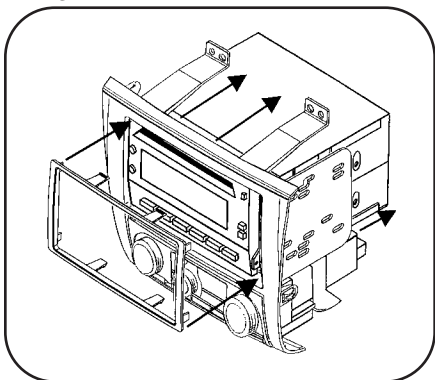
1 Cut and remove the center bar from the radio housing assembly. (Figure A)

2 Snap the Double DIN brackets to the inside edge of the radio housing assembly. (Figure B)

3 Slide the Double DIN radio into the bracket/radio housing assembly and secure the radio to the assembly using the screws supplied with the radio. (Figure C)

4 Snap the Double DIN trim plate onto the front of the radio/housing assembly. (Figure C)

Continue to final assembly.

A

B

C


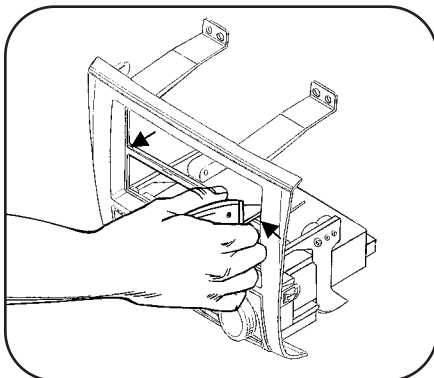
STACKED ISO UNITS PROVISION

**Note: Refer also to the instructions included with the aftermarket radio.*

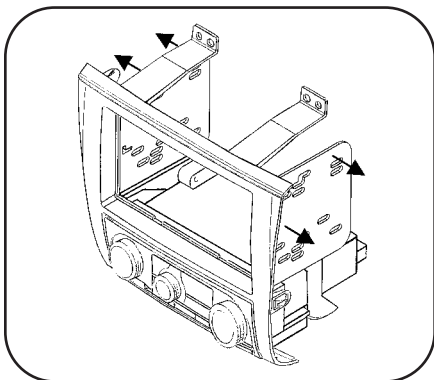
- 1 Cut and remove the center bar from the radio housing assembly. (Figure A)
- 2 Snap the Double DIN brackets to the inside edge of the radio housing assembly. (Figure B)
- 3 Slide the stacked ISO units into the bracket/radio housing assembly and secure the units to the kit using the screws supplied with the units. (Figure C)
- 4 Snap the Double DIN trim plate onto the front of the radio/housing assembly. (Figure C)

Continue to final assembly.

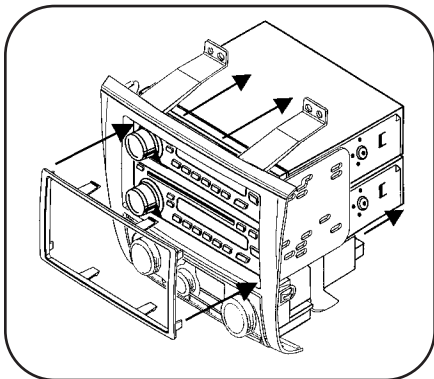
A



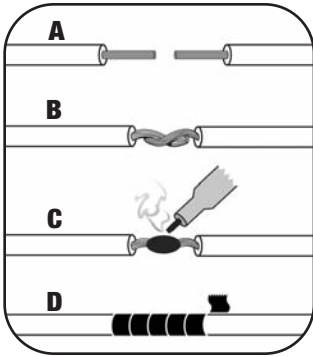
B



C



FINAL ASSEMBLY



- (A) Strip wire ends back 1/2"**
- B) Twist ends together**
- C) Solder**
- D) Tape**

- 1** Locate the factory wiring harness in the dash. Metra recommends using the proper mating adapter and making connections as shown. (Isolate and individually tape off the ends of any unused wires to prevent electrical short circuit.)
- 2** Re-connect the negative battery terminal and test the unit for proper operation.
- 3** Reassemble radio and dash assemblies in reverse order of disassembly.

FINAL WIRING CONNECTIONS

Make wiring connections using the EIA color code chart shown below and the instructions included with the head unit. Metra recommends making connections as shown below; Strip, Splice, Solder, Tape. Isolate and individually tape off ends of any unused wires to prevent electrical short circuit.

METRA / EIA WIRING CODE

12V Ignition / Acc. Red	Right Front (+) Gray
12V Batt / Memory. Yellow	Right Front (-) Gray/ Black
Ground Black*	Left Front (+) White
Power Antenna. Blue	Left Front (-) White / Black
Amp Turn-On Blue / White	Right Rear (+) Violet
Amp Ground. Black / White	Right Rear (-) Violet / Black
Illumination Orange	Left Rear (+) Green
Dimmer Orange / White	

***NOTE:** When a Black wire is not present, ground radio to vehicle chassis.
All colors may not be present on all leads due to manufacturer's specifications.

99-7423 INSTRUCTIONS



1-800-221-0932



www.metraonline.com

REV. 12/10/10 © COPYRIGHT 2007-2010 METRA ELECTRONICS CORPORATION INST99-7423

Free Manuals Download Website

<http://myh66.com>

<http://usermanuals.us>

<http://www.somanuals.com>

<http://www.4manuals.cc>

<http://www.manual-lib.com>

<http://www.404manual.com>

<http://www.luxmanual.com>

<http://aubethermostatmanual.com>

Golf course search by state

<http://golfingnear.com>

Email search by domain

<http://emailbydomain.com>

Auto manuals search

<http://auto.somanuals.com>

TV manuals search

<http://tv.somanuals.com>