



## INSTALLATION INSTRUCTIONS FOR PART 99-78775

# APPLICATIONS Honda Fit 2009-10

## 99-78775

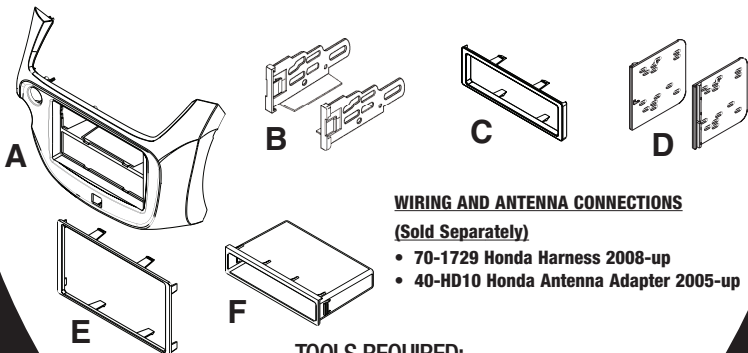
### KIT FEATURES

- DIN Radio Provision with Pocket
- ISO Mount Radio Provision with Pocket
- Double DIN Radio Provision
- Stacked ISO Mount Units Provision
- ***Painted To Match Factory Dash***  
**"S" = SILVER**



### KIT COMPONENTS

- A) Radio Housing • B) ISO Brackets • C) ISO Trim Plate • D) Double DIN Brackets
- E) Double DIN Trim Plate • F) Pocket



### WIRING AND ANTENNA CONNECTIONS

(Sold Separately)

- 70-1729 Honda Harness 2008-up
- 40-HD10 Honda Antenna Adapter 2005-up

### TOOLS REQUIRED:

Small Flat Blade Screwdriver/ Panel Removal Tool

- Phillips Screwdriver • Socket Set



1-800-221-0932



[www.metraonline.com](http://www.metraonline.com)

© COPYRIGHT 2010 METRA ELECTRONICS CORPORATION



## **TABLE OF CONTENTS**

### **Dash Disassembly**

**- Honda Fit 2009-10 . . . . . 1**

### **Kit Assembly**

**- Kit Preparation . . . . . 2**

**- DIN Radio Provision with Pocket . . . . . 3**

**- ISO Mount Radio Provision with Pocket. . . . . 4**

**- Double DIN Radio/ Stacked ISO Mount Units Provision . . . . . 5**

**\*Note:**

**Refer also to the instructions included with the aftermarket radio.**



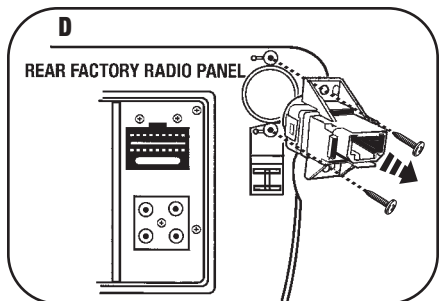
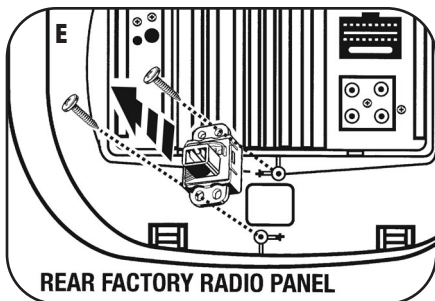
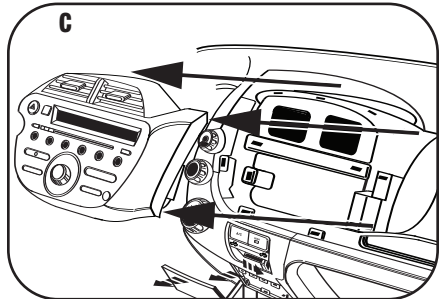
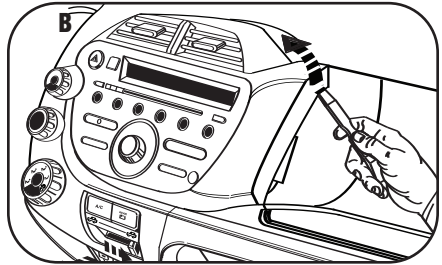
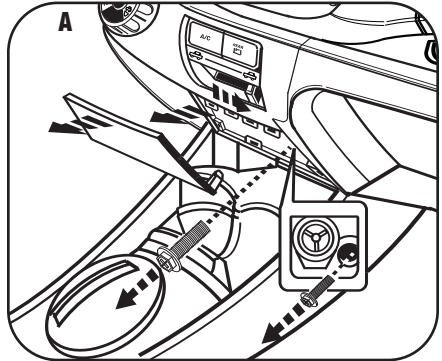
### **KNOWLEDGE IS POWER**

Enhance your installation and fabrication skills by enrolling in the most recognized and respected mobile electronics school in our industry. Log onto [www.installerinstitute.com](http://www.installerinstitute.com) or call 800-354-6782 for more information and take steps toward a better tomorrow.

**HONDA FIT 2009-10**

- 1 Disconnect the negative battery terminal to prevent an accidental short circuit.
- 2 Unclip and remove the lower center panel below radio. (Figure A)
- 3 Remove (1) 8 MM bolt facing up behind center panel.  
**Note: Slide the recirculation control lever to FRESH for better access to bolt.** (Figure A)
- 4 Open the upper glove box then use a pry tool to unclip and remove the radio/climate control assembly. (Figure B & C)
- 5 Remove (2) Phillips screws securing the hazard switch to the back of the factory radio panel. (Figure D)
- 6 Remove (2) Phillips screws securing the air bag light to the back of the factory radio panel. (Figure E)
- 7 Remove (5) Phillips screws securing the a/c vents to the radio panel.
- 8 Remove (7) retaining clips from radio housing to be used later in kit preparation.

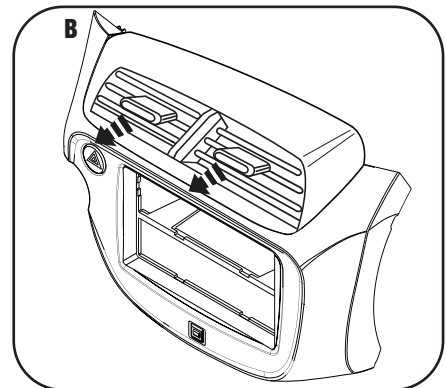
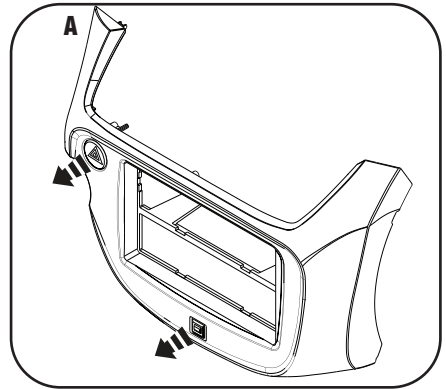
*Continue to kit preparation.*



**KIT PREPARATION**

- 1 Secure the hazard switch into the radio housing panel using the factory hardware. (Figure A)
- 2 Secure the air bag light into the radio housing panel using the factory hardware. (Figure A)
- 3 Secure the a/c vents to the radio housing using the factory hardware. (Figure B)
- 4 Attach the (7) retaining clips to the radio housing panel in the same location as removed from the factory radio panel.

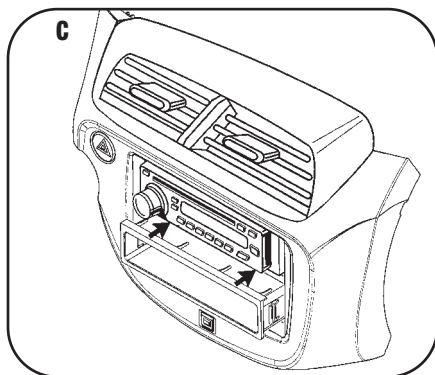
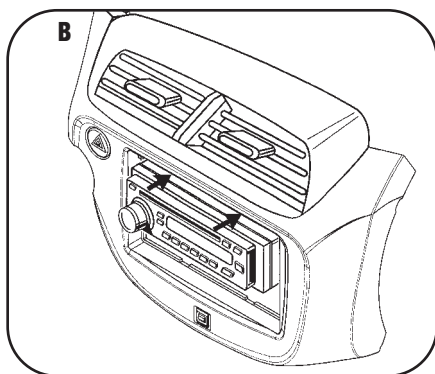
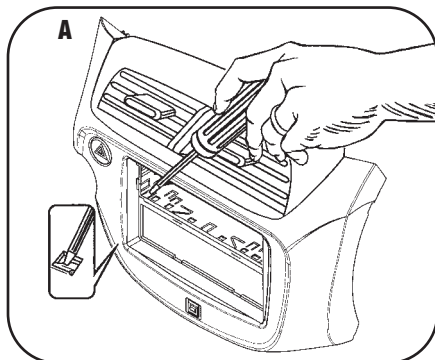
*Continue to kit assembly.*



## DIN MOUNT RADIO PROVISION WITH POCKET

*\*Note: Refer also to the instructions included with the aftermarket radio.*

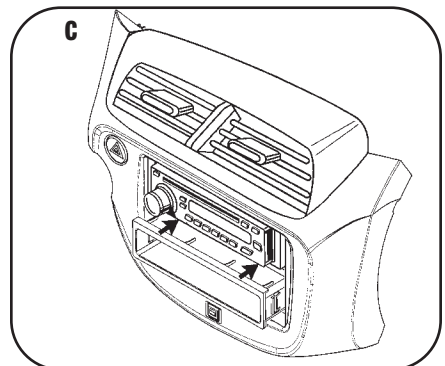
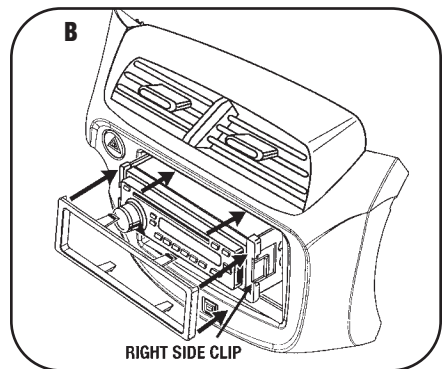
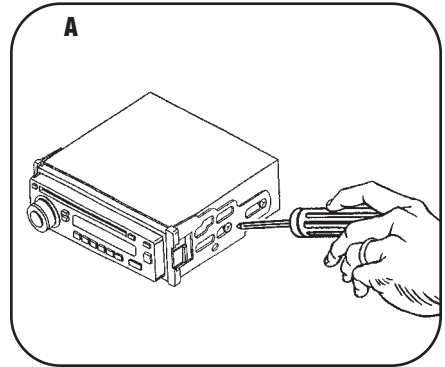
- 1 Locate the factory wiring harness in the dash. Metra recommends using the proper mating adapter from Metra or AXCESS. Re-connect the negative battery terminal and test the unit for proper operation.
- 2 Slide the DIN cage into the Radio Housing and secure by bending the metal locking tabs down. (Figure A)
- 3 Slide the aftermarket head unit into the cage and secure. (Figure B)
- 4 Snap the pocket into the Radio Housing. (Figure C)
- 5 Re-assemble dash in reverse order of disassembly.



## ISO MOUNT RADIO PROVISION WITH POCKET

*\*Note: Refer also to the instructions included with the aftermarket radio.*

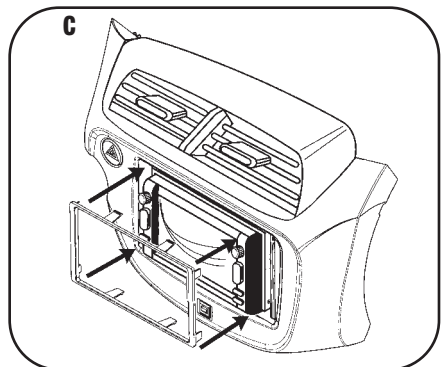
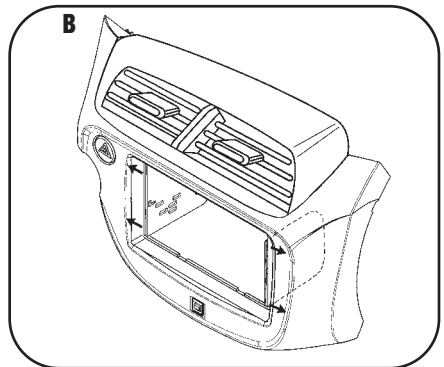
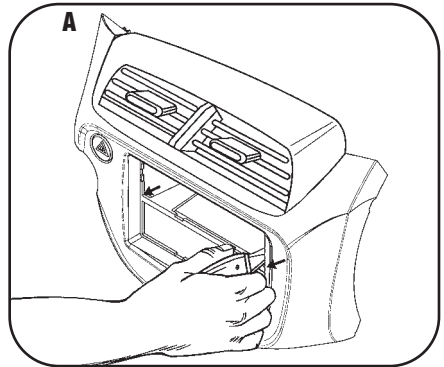
- 1 Locate the factory wiring harness in the dash. Metra recommends using the proper mating adapter from Metra or AXCESS. Re-connect the negative battery terminal and test the unit for proper operation.
- 2 Mount the ISO Brackets to the head unit with the screws supplied with the unit. (Figure A)
- 3 Slide the head unit into the radio opening until the side clips engage. (Figure B)
- 4 Snap the Trim plate into the Radio Housing. (Figure B)
- 5 Snap the Pocket into the radio housing. (Figure C)
- 6 Re-assemble dash in reverse order of disassembly.



## DOUBLE DIN RADIO PROVISION/ STACKED ISO MOUNT UNITS PROVISION

*\*Note: Refer also to the instructions included with the aftermarket radio.*

- 1 Locate the factory wiring harness in the dash. Metra recommends using the proper mating adapter from Metra or AXCESS. Re-connect the negative battery terminal and test the unit for proper operation.
- 2 Cut and remove the center bar from the radio housing. (Figure A)
- 3 Snap the Double DIN brackets to the inside edge of the Radio Housing. (Figure B)
- 4 Slide the Double DIN head unit or stacked ISO head units into the bracket/radio housing assembly and secure the Double DIN head unit or stacked ISO head units to the assembly using the screws supplied with the radio. (Figure C)
- 5 Snap the Double DIN trim plate onto the front of the radio/housing assembly. (Figure C)
- 6 Re-assemble dash in reverse order of disassembly.



# 99-78775 INSTRUCTIONS



**1-800-221-0932**



**[www.metraonline.com](http://www.metraonline.com)**

REV. 4/22/10 © COPYRIGHT 2010 METRA ELECTRONICS CORPORATION INST99-7877



## Free Manuals Download Website

<http://myh66.com>

<http://usermanuals.us>

<http://www.somanuals.com>

<http://www.4manuals.cc>

<http://www.manual-lib.com>

<http://www.404manual.com>

<http://www.luxmanual.com>

<http://aubethermostatmanual.com>

Golf course search by state

<http://golfingnear.com>

Email search by domain

<http://emailbydomain.com>

Auto manuals search

<http://auto.somanuals.com>

TV manuals search

<http://tv.somanuals.com>