



INSTALLATION INSTRUCTIONS FOR PART 99-7953

APPLICATIONS

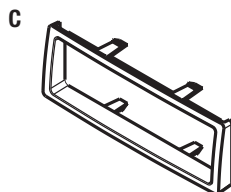
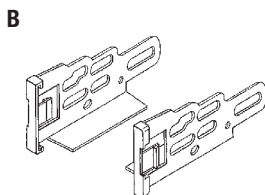
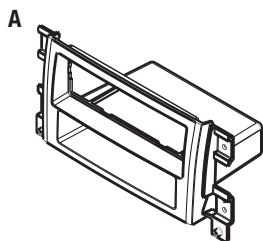
Suzuki Grand Vitara 2006-up 99-7953

KIT FEATURES

- DIN head unit provision with pocket
 - ISO DIN head unit provision with pocket
-

KIT COMPONENTS

- A) Radio Housing • B) ISO Brackets • C) Trim Plate
-



WIRING & ANTENNA CONNECTIONS (Sold Separately)

Wiring Harness:

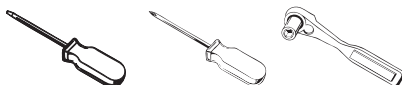
- 70-1721 - Honda harness 1998-up

Antenna Adapter:

- Not Required

TOOLS REQUIRED

Small Flat Blade Screwdriver • Phillips Screwdriver • Socket Wrench



METRA. THE WORLD'S BEST KITS.™



1-800-221-0932



metraonline.com

© COPYRIGHT 2004-2011 METRA ELECTRONICS CORPORATION

Download from www.Somanuals.com. All Manuals Search And Download.



99-7953

Table of Contents

Dash Disassembly

- Suzuki Grand Vitara 2006-up 3

Kit Assembly

- DIN head unit provision 4
- ISO DIN head unit provision 5

Caution

Metra recommends disconnecting the negative battery terminal before beginning any installation. All accessories, switches, and especially air bag indicator lights must be plugged in before reconnecting the battery or cycling the ignition.

****NOTE: Refer also to the instructions included with the aftermarket radio.***



KNOWLEDGE IS POWER

Enhance your installation and fabrication skills by enrolling in the most recognized and respected mobile electronics school in our industry. Log onto www.installerinstitute.com or call 800-354-6782 for more information and take steps toward a better tomorrow.

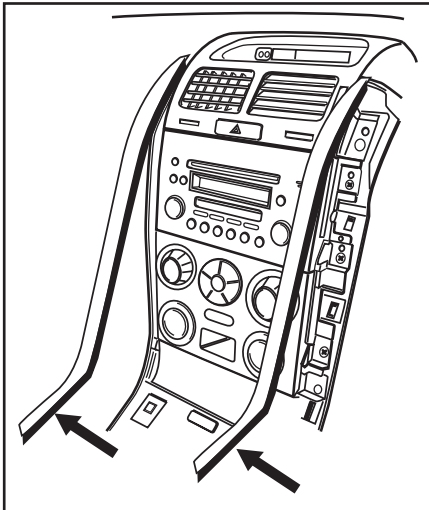


Metra recommends MECP certified technicians

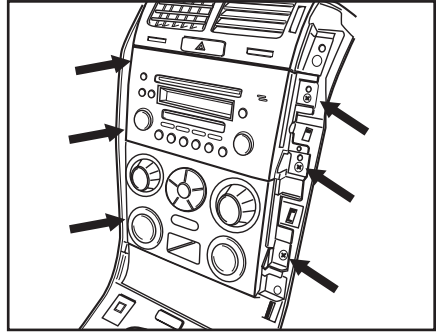
Dash Disassembly

1. Unclip and remove the (2) outside trim panels. (Figure A)
2. Remove (6) Phillips screws securing the radio and climate controls to the sub dash. (Figure B)
3. Remove the (2) Phillips screws securing the factory radio bracket to the radio/ climate control assembly. (Figure C)
4. Separate the bracket and factory radio from the climate control. (Figure D)

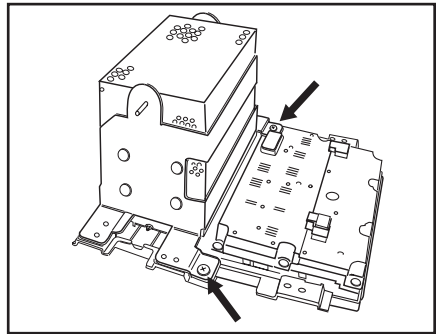
Continued on next page



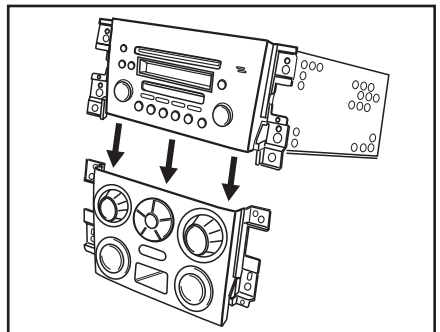
(Figure A)



(Figure B)



(Figure C)



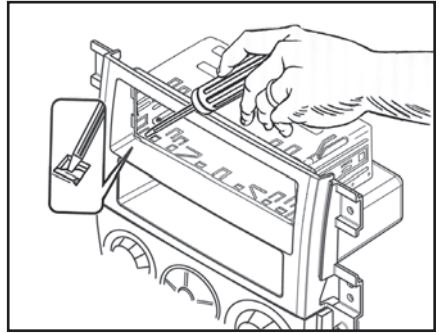
(Figure D)



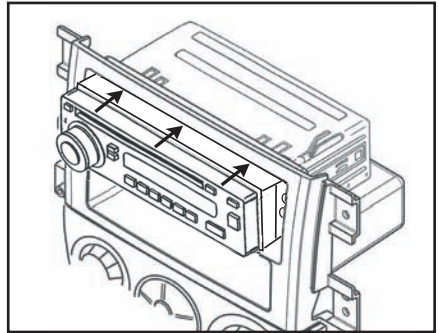
Kit Assembly 99-7953

DIN head unit provision

1. Locate the factory wiring harness and antenna plug in the dash. Metra recommends using the proper mating adapters from Metra and/or AXCESS.
2. Slide the DIN cage into the radio housing and secure by bending the metal locking tabs down. (Figure A)
3. Slide the aftermarket head unit into the cage until secure. (Figure B)
4. Reassemble dash in reverse order of disassembly.



(Figure A)



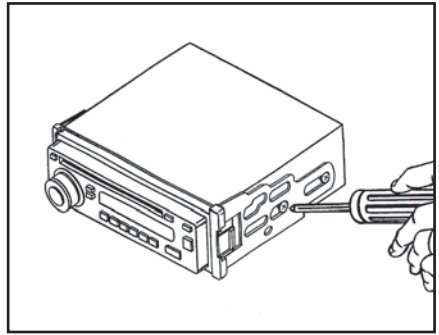
(Figure B)



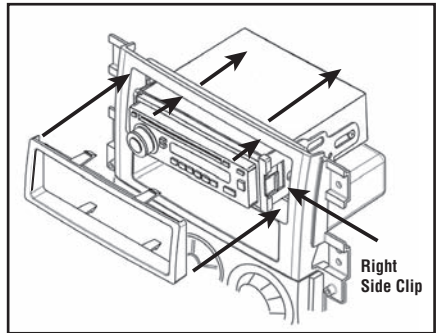
Kit Assembly 99-7953

ISO DIN head unit provision

1. Locate the factory wiring harness and antenna plug in the dash. Metra recommends using the proper mating adapters from Metra and/or AXCESS.
2. Mount the ISO brackets to the head unit with the screws supplied with the unit. (Figure A)
3. Slide the head unit into the radio opening until the side clips engage. (Figure B)
4. Snap the trim plate into the radio housing. (Figure B)
5. Reassemble dash in reverse order of disassembly.



(Figure A)



(Figure B)



Notes



INSTALLATION INSTRUCTIONS FOR PART 99-7953

REV. 5/18/11

METRA. THE WORLD'S BEST KITS.™



1-800-221-0932



metraonline.com

© COPYRIGHT 2004-2011 METRA ELECTRONICS CORPORATION

Download from www.Somanuals.com. All Manuals Search And Download.

Free Manuals Download Website

<http://myh66.com>

<http://usermanuals.us>

<http://www.somanuals.com>

<http://www.4manuals.cc>

<http://www.manual-lib.com>

<http://www.404manual.com>

<http://www.luxmanual.com>

<http://aubethermostatmanual.com>

Golf course search by state

<http://golfingnear.com>

Email search by domain

<http://emailbydomain.com>

Auto manuals search

<http://auto.somanuals.com>

TV manuals search

<http://tv.somanuals.com>