



INSTALLATION INSTRUCTIONS FOR PART 99-8218

APPLICATIONS TOYOTA CAMRY / CAMRY HYBRID 2007-2011

99-8218

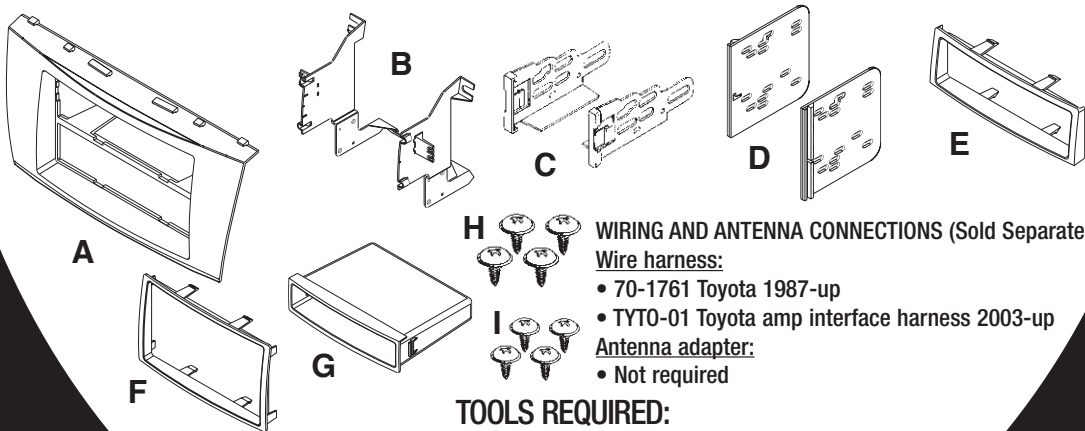
KIT FEATURES

- DIN Radio Provision with Pocket
- ISO Radio Provision with Pocket
- Double DIN Radio Provision
- Stacked ISO Units Provision



KIT COMPONENTS

- A) Radio Housing • B) Radio Housing Brackets • C) ISO Snap-In Brackets • D) Double DIN Brackets
E) Trim Plate • F) Double DIN Trim Plate • G) Pocket • H) (4) # 8 x 3/8 Phillips Screws • I) (4) #4 x 1/4 Phillips Screws



TOOLS REQUIRED:

- Phillips Screwdriver • Socket
Small Flat Blade Screwdriver or Panel Removal Tool
-



1-800-221-0932



www.metraonline.com

© COPYRIGHT 2004-2010 METRA ELECTRONICS CORPORATION

TABLE OF CONTENTS

Dash Disassembly

- **Toyota Camry / Camry Hybrid 2007-2011 1, 2**

Kit Assembly

- **DIN Radio Provision with Pocket 3**
- **ISO Radio Provision with Pocket 4**
- **Double DIN Radio Provision 5**
- **Stacked ISO Units Provision 6**

- **Final Assembly 7**

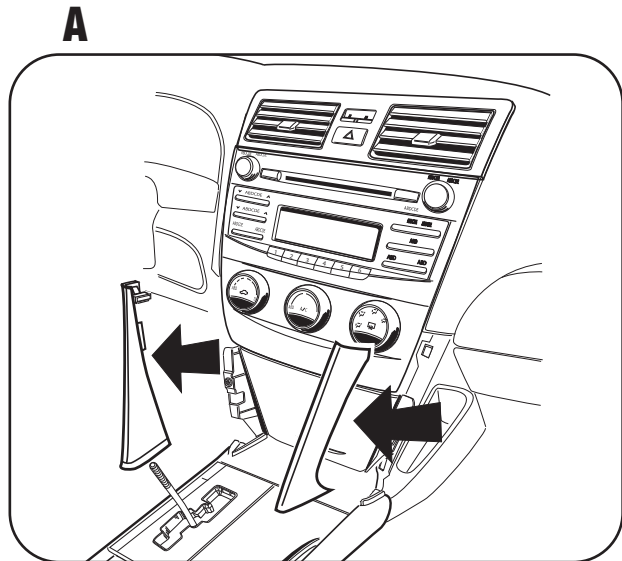


KNOWLEDGE IS POWER

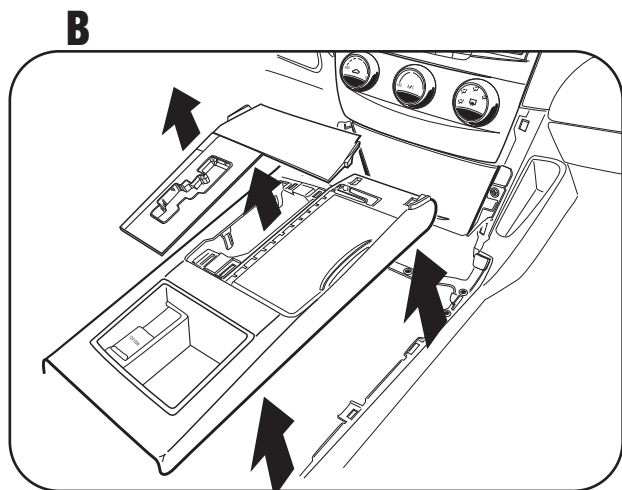
Enhance your installation and fabrication skills by enrolling in the most recognized and respected mobile electronics school in our industry. Log onto www.installerinstitute.com or call 800-354-6782 for more information and take steps toward a better tomorrow.

TOYOTA CAMRY/CAMRY HYBRID 2007-2011

- 1 Disconnect the negative battery terminal to prevent an accidental short circuit.
- 2 Turn the shift knob counterclockwise to remove.
- 3 Unclip and remove (1) trim panel from each side of the pocket below the radio/climate control assembly. (2 panels total) **(Figure A)**

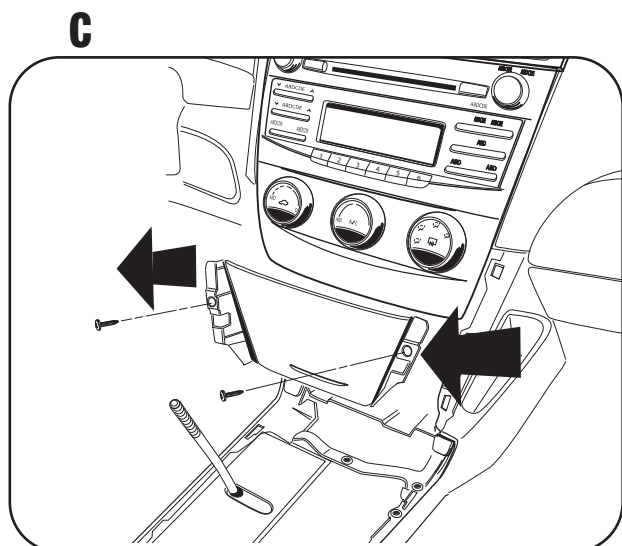


- 4 Unclip and remove the shift knob trim panel. **(Figure B)**
- 5 Unclip and remove the top of the center console including the cup holders. **(Figure B)**



- 6 Remove (1) Phillips screw from each side of pocket below the radio/climate control assembly (2 screws total). **(Figure C)**

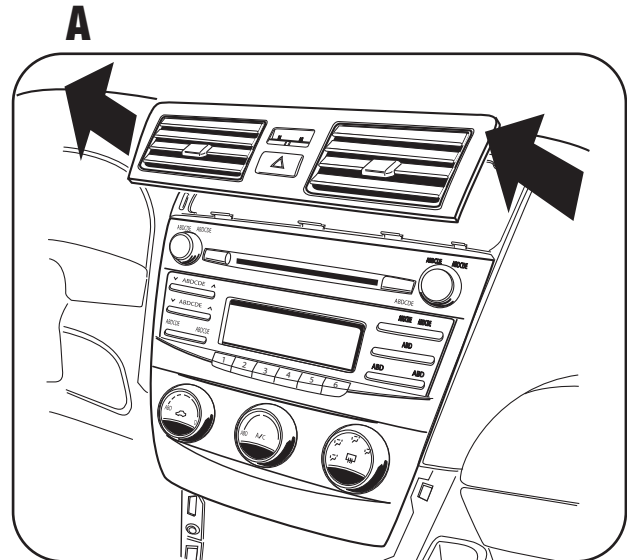
- 7 Unclip and remove the pocket. **(Figure C)**



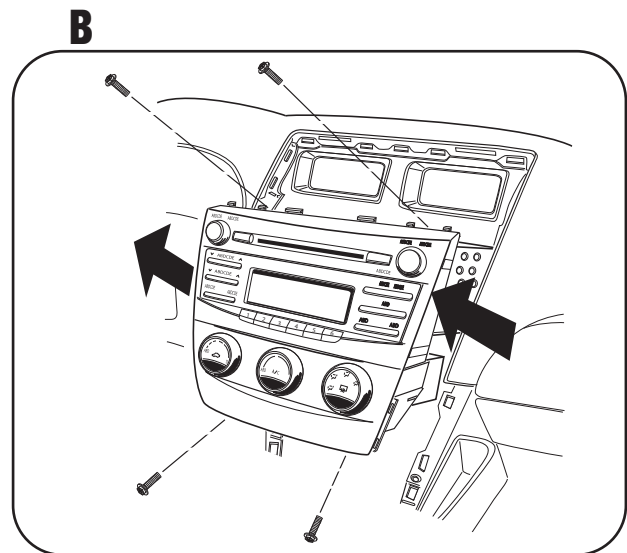
Continued on Page 2.

TOYOTA CAMRY / CAMRY HYBRID 2007-2011

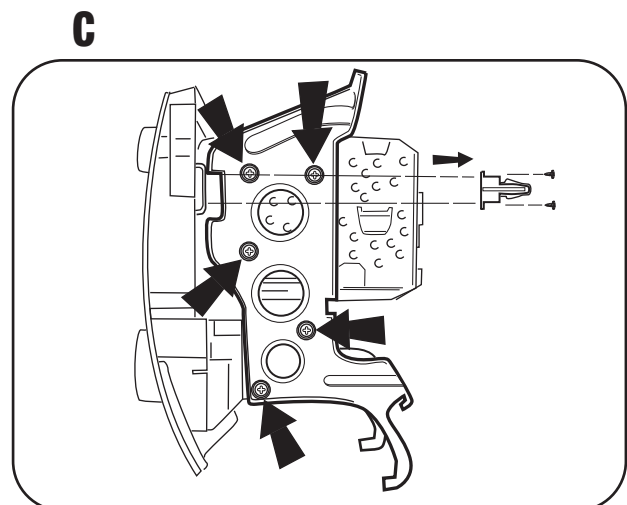
- 8** Unclip and remove the A/C vents above the radio. (Take care not to scratch the dash panel. **(Figure A)**)



- 9** Remove (2) 10mm bolts above the radio (behind the A/C vents) and (2) 10mm bolts below the climate controls (behind pocket) then unplug and remove the radio/climate control assembly. **(Figure B)**



- 10** Remove the (10) Phillips screws securing the brackets to the radio/climate control assembly and separate the radio from the climate controls. (Retain climate controls and screws for use during kit assembly). **(Figure C)**



- 11** Unscrew and remove the (2) Clips from the back of the factory radio. (Retain clips for use during kit assembly). **(Figure C)**

Continue to kit assembly.

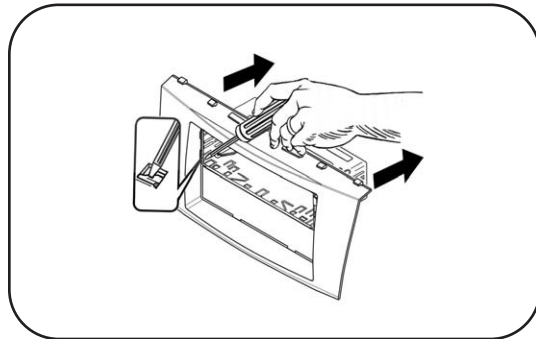
DIN RADIO PROVISION WITH POCKET

NOTE: Refer also to the instructions included with the aftermarket radio.

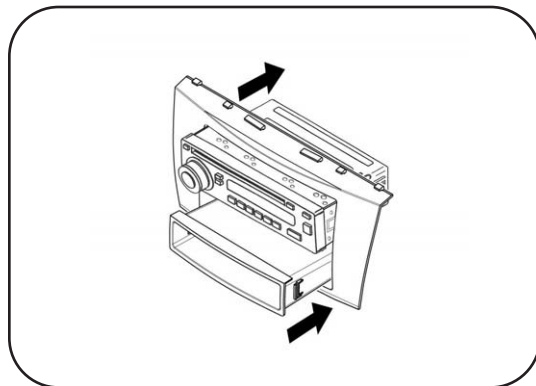
- 1** Slide the DIN cage into the Radio Housing and secure by bending the metal locking tabs down. **(Figure A)**
- 2** Slide the after-market radio into the cage until it snaps into place. **(Figure B)**
- 3** Snap the pocket into the radio housing. **(Figure B)**
- 4** Align the small legs on the bottom of the radio housing with the slots in the top of the climate control. Then slide the climate control sideways to engage together. **(Figure C)**
- 5** Attach the radio housing brackets to the radio housing using the included Phillips screws. **(Figure D)**
- 6** Secure the radio housing brackets to the climate control using the factory hardware. **(Figure D)**
- 7** Attach the (2) clips removed in step 11 in dash disassembly to the radio housing brackets using the supplied small Phillips screws. **(Figure D)**

Continue to Final Assembly.

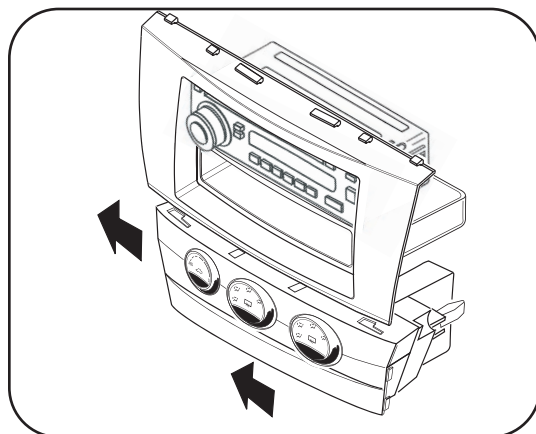
A



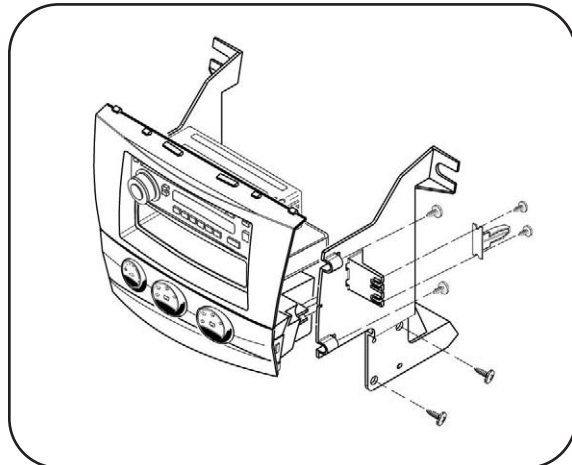
B



C



D



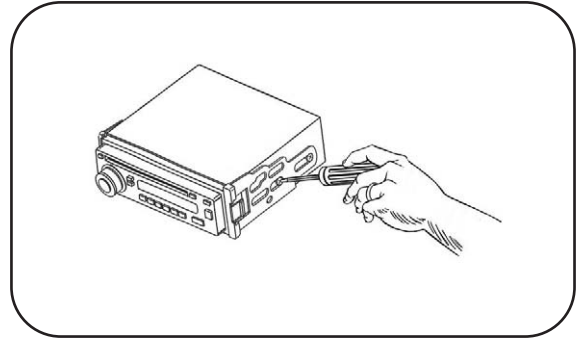
ISO RADIO PROVISION WITH POCKET

NOTE: Refer also to the instructions included with the aftermarket radio.

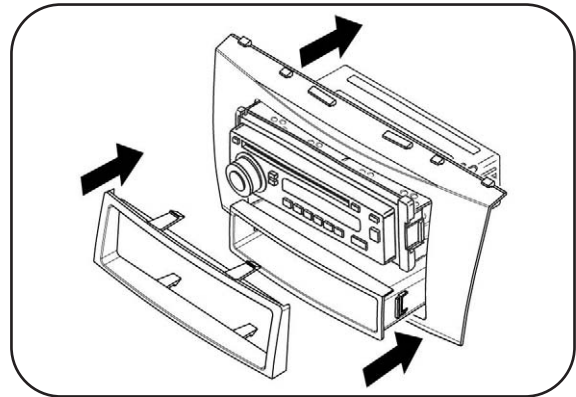
- 1** Mount the ISO Brackets to the radio with the screws supplied with the radio. **(Figure A)**
- 2** Slide the radio into the radio opening until the side clips engage. **(Figure B)**
- 3** Snap the Trim plate into the Radio Housing. **(Figure B)**
- 4** Snap the pocket into the radio housing. **(Figure B)**
- 5** Align the small legs on the bottom of the radio housing with the slots in the top of the climate control. Then slide the climate control sideways to engage together. **(Figure C)**
- 6** Attach the radio housing brackets to the radio housing using the included Phillips screws. **(Figure D)**
- 7** Secure the radio housing brackets to the climate control using the factory hardware. **(Figure D)**
- 8** Attach the (2) clips removed in step 11 in dash disassembly to the radio housing brackets using the supplied small Phillips screws. **(Figure D)**

Continue to Final Assembly.

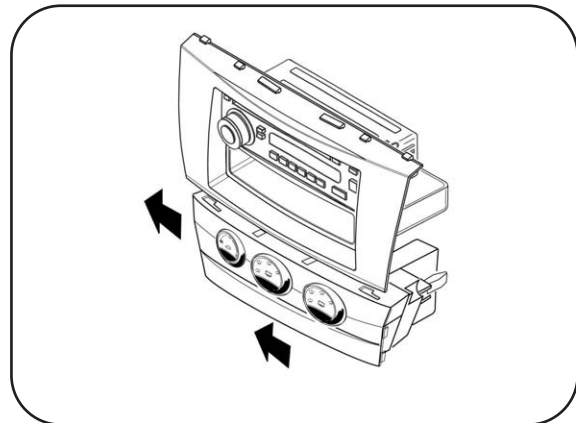
A



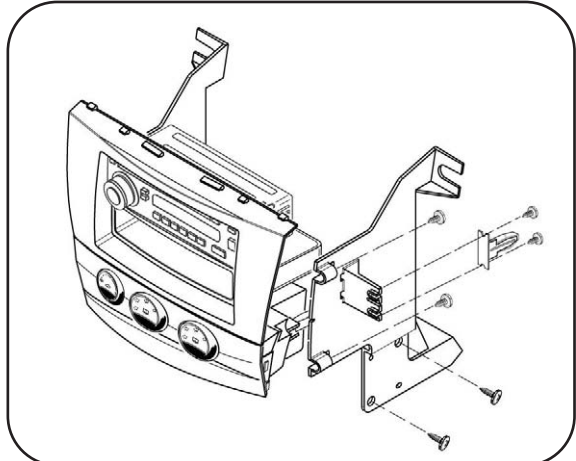
B



C



D

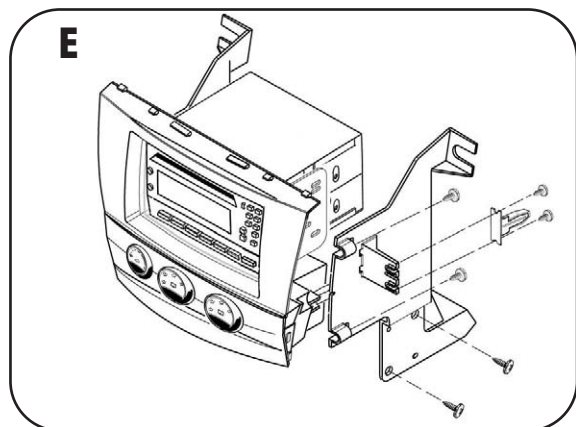
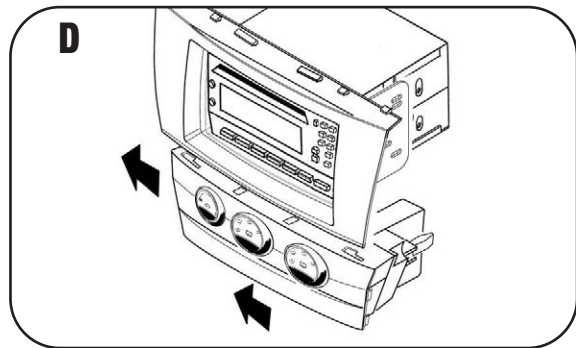
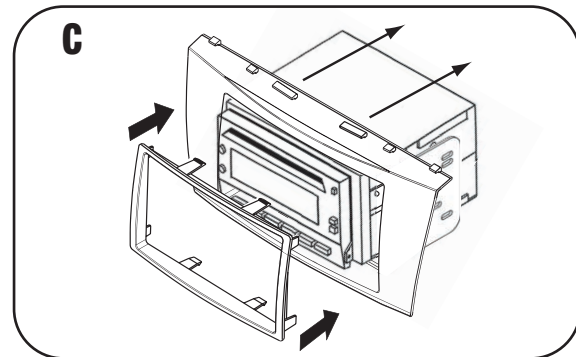
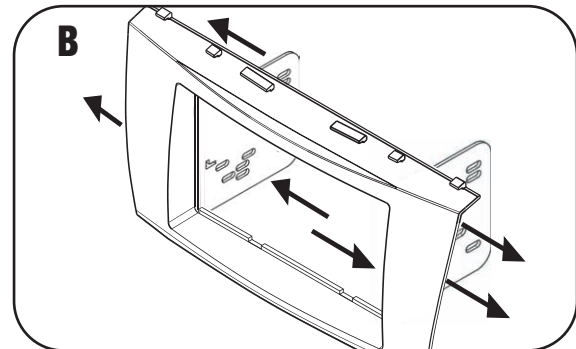
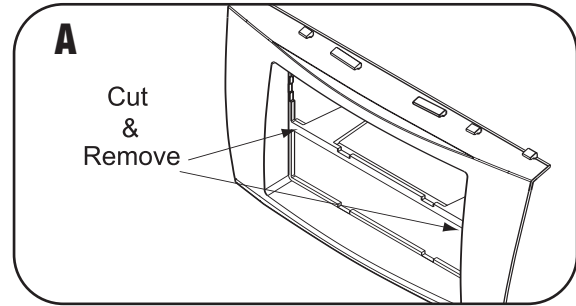


DOUBLE DIN RADIO PROVISION

NOTE: Refer also to the instructions included with the aftermarket radio.

- 1 Cut and remove center divider from radio housing. (**Figure A**)
- 2 Snap the Double DIN brackets to the inside edge of the radio housing. (**Figure B**)
- 3 Slide the Double DIN radio into the Double DIN bracket/radio housing assembly and secure the radio to the assembly using the screws supplied with the radio. (**Figure C**)
- 4 Snap the Double DIN trim-plate into the housing/radio assembly. (**Figure C**)
- 5 Align the small legs on the bottom of the radio housing with the slots in the top of the climate control then slide the climate control sideways to engage together. (**Figure D**)
- 6 Attach the corresponding radio housing bracket to the radio housing using the included Phillips screws. (**Figure E**)
- 7 Secure the radio housing brackets to the climate control using the factory hardware. (**Figure E**)
- 8 Attach the (2) clips removed in step 11 in dash disassembly to the radio housing brackets using the supplied small Phillips screws. (**Figure E**)

Continue to Final Assembly.

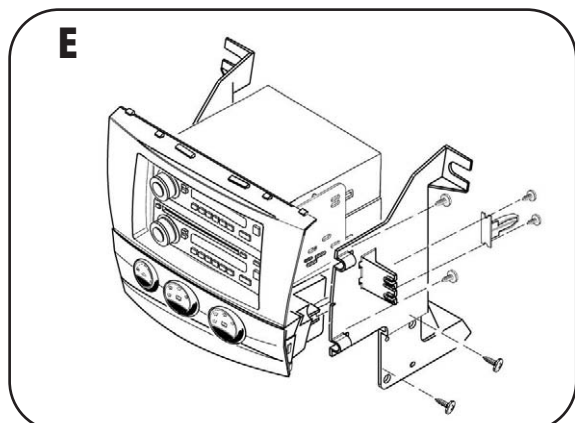
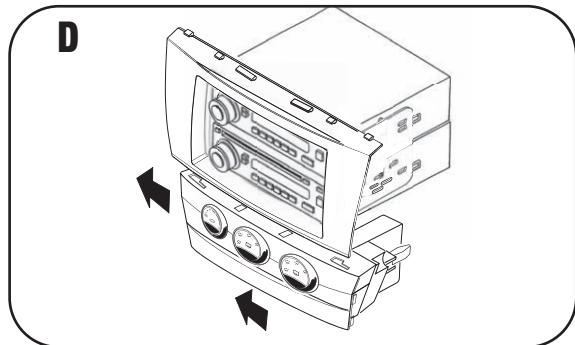
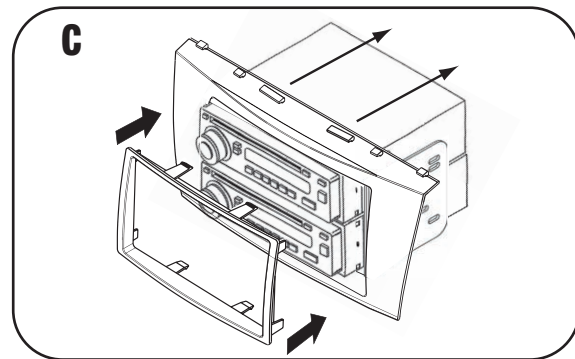
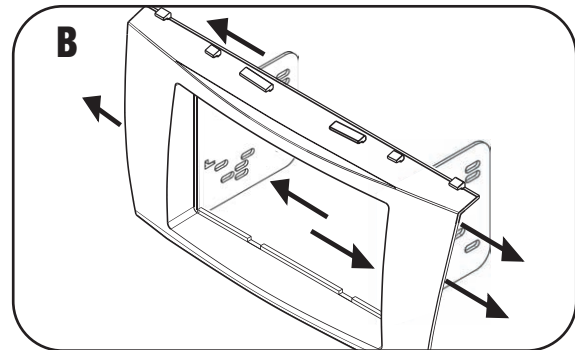
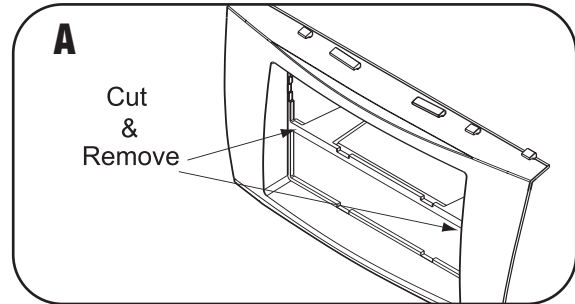


STACKED ISO UNITS PROVISION

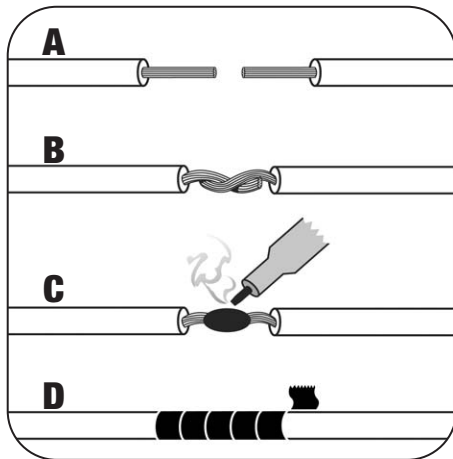
NOTE: Refer also to the instructions included with the aftermarket radio.

- 1** Cut and remove center divider from radio housing. (**Figure A**)
- 2** Snap the Double DIN brackets to the inside edge of the radio housing. (**Figure B**)
- 3** Slide the Stacked ISO units into the Double DIN bracket/radio housing assembly and secure the radio to the assembly using the screws supplied with the units. (**Figure C**)
- 4** Snap the Double DIN trim-plate into the housing/radio assembly. (**Figure C**)
- 5** Align the small legs on the bottom of the radio housing with the slots in the top of the climate control then slide the climate control sideways to engage together. (**Figure D**)
- 6** Attach the corresponding radio housing bracket to the radio housing using the included Phillips screws. (**Figure E**)
- 7** Secure the radio housing brackets to the climate control using the factory hardware. (**Figure E**)
- 8** Attach the (2) clips removed in step 11 in dash disassembly to the radio housing brackets using the supplied small Phillips screws. (**Figure E**)

Continue to Final Assembly.



FINAL ASSEMBLY



- A) Strip wire ends back 1/2"**
- B) Twist ends together**
- C) Solder**
- D) Tape**

- 1** Locate the factory wiring harness in the dash. Metra recommends using the proper mating adapter and making connections as shown. (Isolate and individually tape off the ends of any unused wires to prevent electrical short circuit.)
- 2** Re-connect the negative battery terminal and test the unit for proper operation.
- 3** Reassemble radio and dash assemblies in reverse order of disassembly.

FINAL WIRING CONNECTIONS

Make wiring connections using the EIA color code chart shown below and the instructions included with the head unit. Metra recommends making connections as shown below; Strip, Splice, Solder, Tape. Isolate and individually tape off ends of any unused wires to prevent electrical short circuit.

METRA / EIA WIRING CODE

12V Ignition / Acc . . . Red	Dimmer Orange / White
12V Batt / Memory . . Yellow	Right Front (+) White
Ground Black*	Left Front (-) White / Black
Power Antenna Blue	Right Rear (+) Violet
Amp Turn-On Blue / White	Right Rear (-) Violet / Black
Amp Ground Black / White	Left Rear (+) Green
Illumination Orange	Left Rear (-) Green / Black

***NOTE:** When Black a wire is not present, ground radio to vehicle chassis.
All colors may not be present on all leads due to manufacturer's specifications.

99-8218 INSTRUCTIONS



1-800-221-0932



www.metraonline.com

REV. 07-22-10

© COPYRIGHT 2004-2010 METRA ELECTRONICS CORPORATION

INST99-8218

Free Manuals Download Website

<http://myh66.com>

<http://usermanuals.us>

<http://www.somanuals.com>

<http://www.4manuals.cc>

<http://www.manual-lib.com>

<http://www.404manual.com>

<http://www.luxmanual.com>

<http://aubethermostatmanual.com>

Golf course search by state

<http://golfingnear.com>

Email search by domain

<http://emailbydomain.com>

Auto manuals search

<http://auto.somanuals.com>

TV manuals search

<http://tv.somanuals.com>