



## INSTALLATION INSTRUCTIONS FOR PART 99-8220

# APPLICATIONS Toyota Tundra 2007-2011 Sequoia 2008-2011 **99-8220**

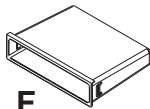
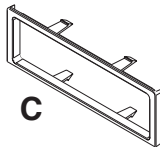
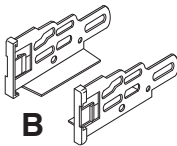
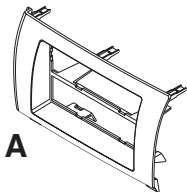
### KIT FEATURES

- DIN Radio Provision with Pocket
- ISO Mount Radio Provision with Pocket
- Double DIN Radio Provision
- Stacked ISO Mount Units Provision
- 99-8220 - Scratch Resistant Matte Black
- 99-8220HG - High Gloss Black
- 99-8220CHG - High Gloss Charcoal (matches 2010-UP models)



### KIT COMPONENTS

- A) Radio Housing • B) ISO Brackets • C) ISO Trim Plate • D) Double DIN Brackets
- E) Double DIN Trim Plate • F) Pocket



#### WIRING AND ANTENNA CONNECTIONS (Sold Separately)

##### Wire harness:

- 70-1761 Toyota 87-up
- TYTO-01 Toyota amp interface harness 03-up

##### Antenna adapter:

- Not required

#### TOOLS REQUIRED:

Small Flat Blade Screwdriver/ Panel Removal Tool

- Phillips Screwdriver • Socket Set



1-800-221-0932



www.metraonline.com

© COPYRIGHT 2007-2010 METRA ELECTRONICS CORPORATION



**TABLE OF CONTENTS**

**Dash Disassembly**

- ***Toyota Tundra (Console Shift ) 2007-2011 . . . . . 1,2***
- ***Toyota Sequoia 2008-2011 . . . . . 1,2***
- ***Toyota Tundra (Column Shift ) 2007 -2011 . . . . . 3***
- ***Toyota Sequoia 2008-2011 . . . . . 3***

**Kit Assembly**

- ***DIN Radio Provision with Pocket . . . . . 4***
- ***ISO Mount Radio Provision with Pocket. . . . . 5***
- ***Double DIN Radio Provision . . . . . 6***
- ***Stacked ISO Mount Units Provision . . . . . 7***

**Final Assembly . . . . . 8**

**\*Note:**

**Refer also to the instructions included with the aftermarket radio.**



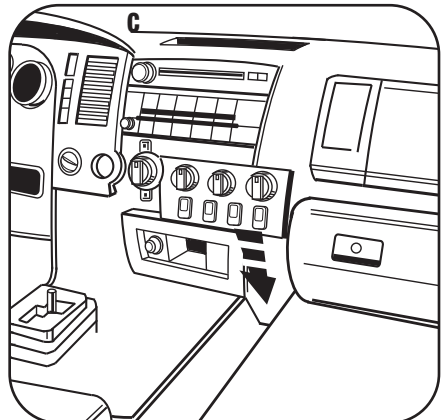
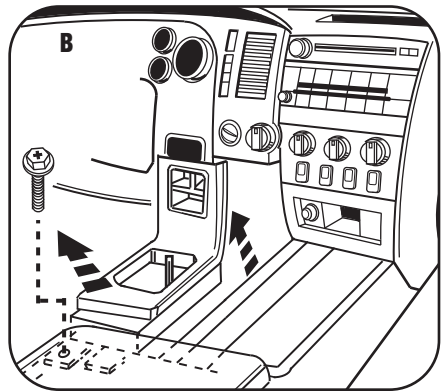
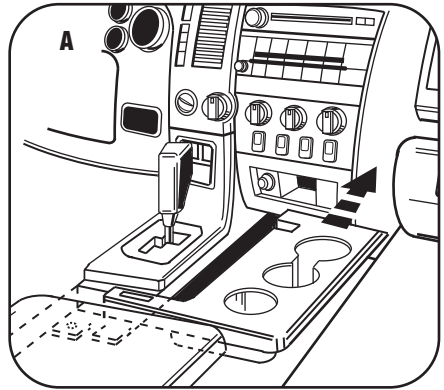
**KNOWLEDGE IS POWER**  
 Enhance your installation and fabrication skills by enrolling in the most recognized and respected mobile electronics school in our industry. Log onto [www.installerinstitute.com](http://www.installerinstitute.com) or call 800-354-6782 for more information and take steps toward a better tomorrow.

## TOYOTA TUNDRA (Console Shift) 2007-2011

## TOYOTA SEQUOIA 2008-2011

- 1 Disconnect the negative battery terminal to prevent an accidental short circuit.
- 2 Unclip and remove the top trim panel around cup holders. (Figure A)
- 3 Remove (1) Phillips screw from shifter trim panel and remove panel. (Figure B)
- 4 Unclip, unplug and remove the climate control assembly. (Figure C)

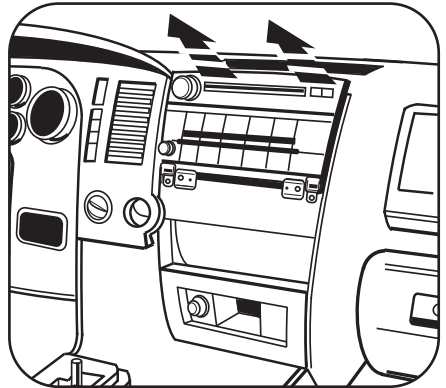
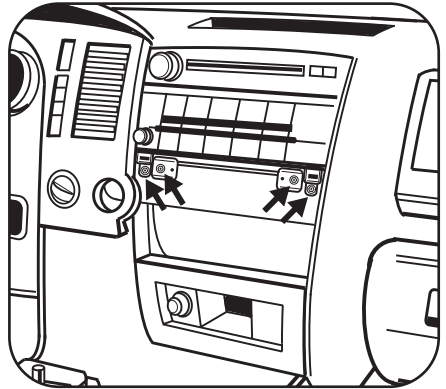
*Continue dash disassembly.*



**TOYOTA TUNDRA (Console Shift) 2007-2011**
**TOYOTA SEQUOIA 2008-2011**

- 5** Remove (4) 10 MM bolts securing the radio. (Figure D)
- 6** Unclip the right side of the instrument panel trim and pull back the trim, then unclip, unplug and remove radio. (Figure E)

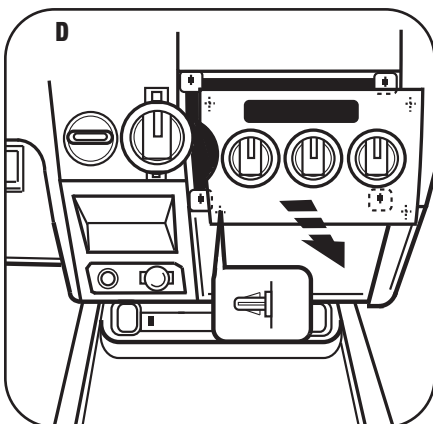
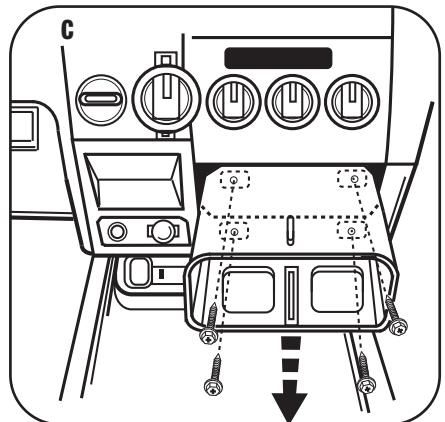
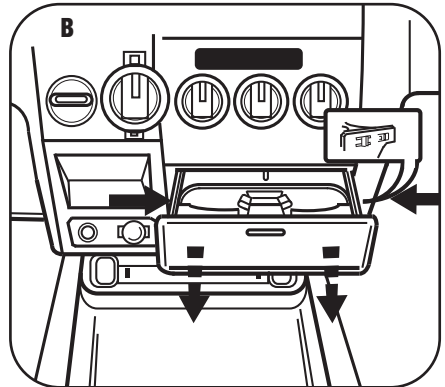
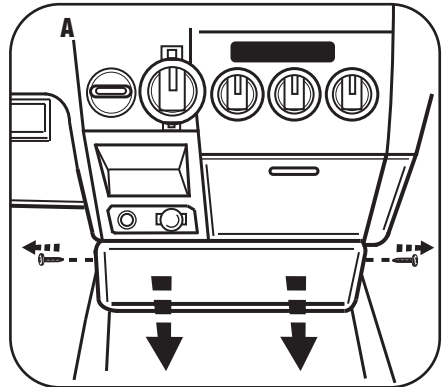
*Continue to kit assembly.*



**TOYOTA TUNDRA (Column Shift) 2007-2011**
**TOYOTA SEQUOIA 2008-2011**

- 1** Disconnect the negative battery terminal to prevent an accidental short circuit.
- 2** Remove (2) plastic Phillips screws one from each side of the trim panel below the cup holder then unclip and remove the panel. (Figure A)
- 3** Pull the cup holder out and depress the (2) clips on each side to slide cup holder out of cup holder panel. (Figure B)
- 4** Remove (4) Phillips screws from cup holder panel assembly then unclip and remove assembly. (Figure C)
- 5** Unclip and remove the climate control assembly. (Figure D)
- 6** Remove (4) 10 MM bolts securing the radio.
- 7** Unclip the right side of the instrument panel trim and pull back then unclip and remove radio.

*Continue to kit assembly.*



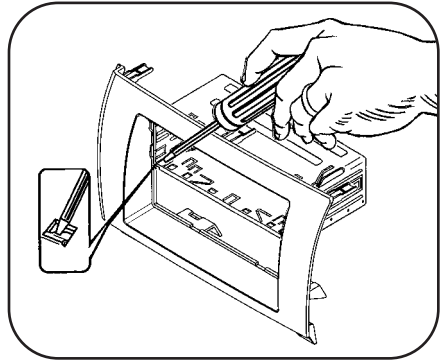
## DIN MOUNT RADIO PROVISION WITH POCKET

*\*Note: Refer also to the instructions included with the aftermarket radio.*

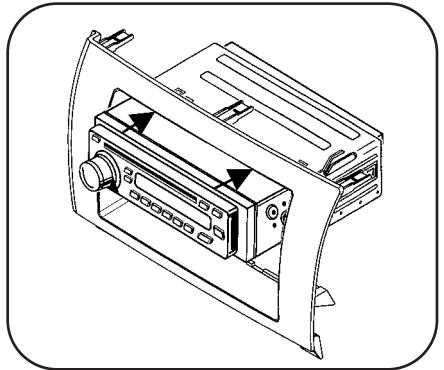
- 1 Slide the DIN cage into the radio housing and secure by bending the metal locking tabs outward. (Figure A)
- 2 Slide the aftermarket radio into the cage until it snaps into place. (Figure B)
- 3 Snap the pocket into the radio housing. (Figure C)

*Continue to final assembly.*

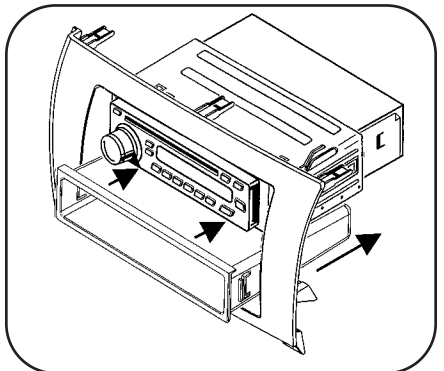
**A**



**B**



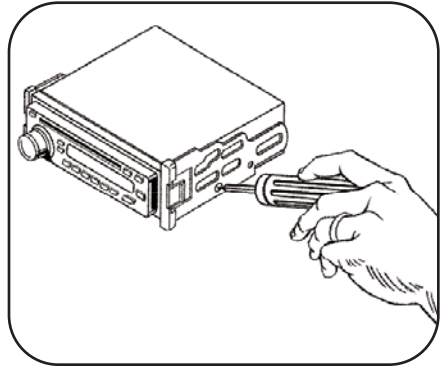
**C**



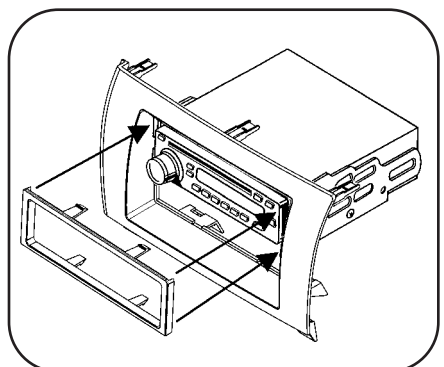
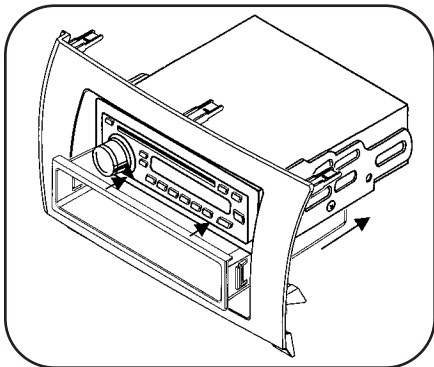
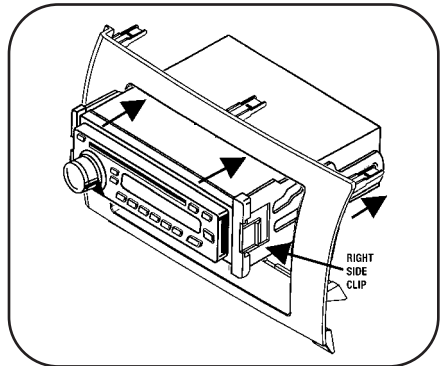
## ISO MOUNT RADIO PROVISION WITH POCKET

*\*Note: Refer also to the instructions included with the aftermarket radio.*

- 1 Mount the ISO Brackets to the radio using the screws supplied with the radio. (Figure A)
- 2 Slide the radio into the radio housing until it snaps into place. (Figure B)
- 3 Snap the trim plate onto the front of the Radio/Housing assembly. (Figure C)
- 4 Snap the Pocket into the radio housing. (Figure D)



*Continue to final assembly.*

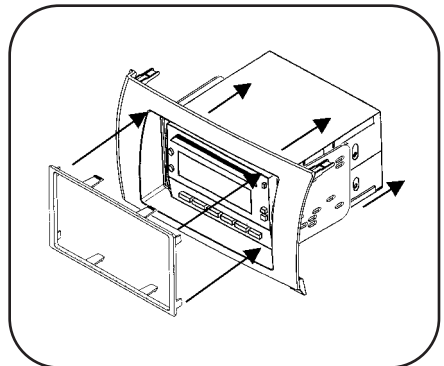
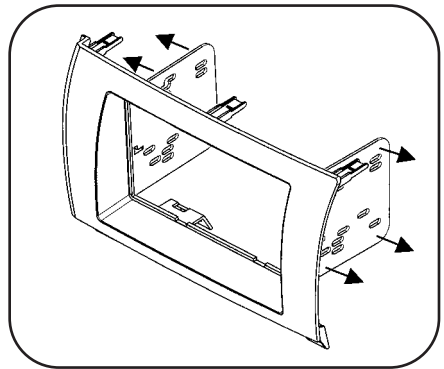
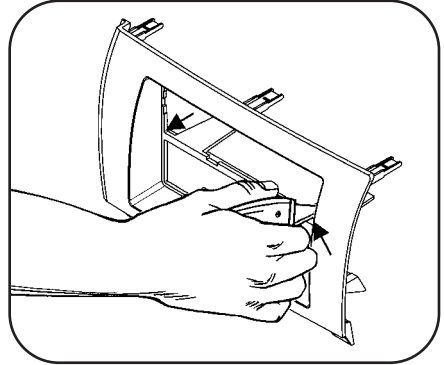


## DOUBLE DIN RADIO PROVISION

*\*Note: Refer also to the instructions included with the aftermarket radio.*

- 1** Cut and remove the center bar from the radio housing. (Figure A)
- 2** Snap the Double DIN brackets to the inside edge of the radio housing. (Figure B)
- 3** Slide the Double DIN radio into the bracket/radio housing assembly and secure the radio to the assembly using the screws supplied with the radio. (Figure C)
- 4** Snap the Double DIN trim plate onto the front of the radio/housing assembly. (Figure C)

*Continue to final assembly.*



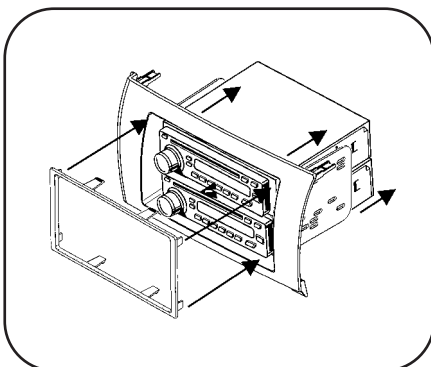
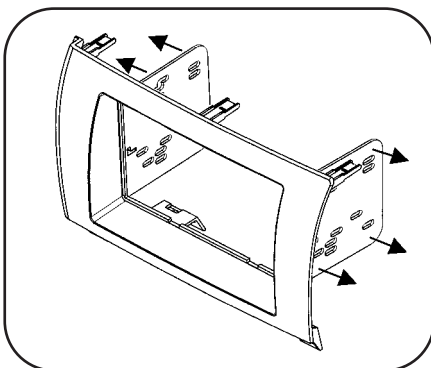
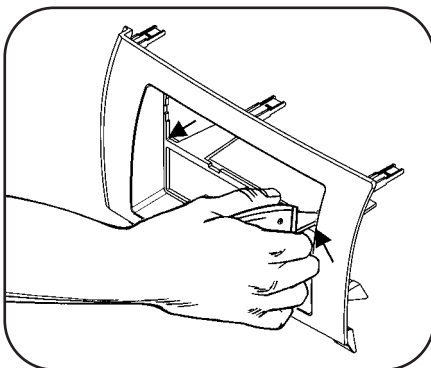


## STACKED ISO MOUNT UNITS PROVISION

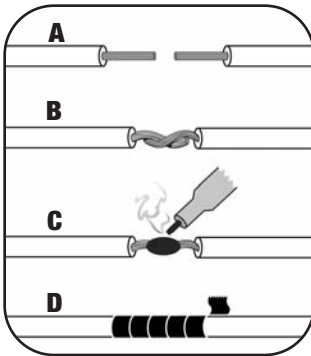
*\*Note: Refer also to the instructions included with the aftermarket radio.*

- 1** Cut and remove the center bar from the radio housing. (Figure A)
- 2** Snap the Double DIN brackets to the inside edge of the radio housing. (Figure B)
- 3** Slide the stacked ISO mount units into the bracket/housing assembly and secure the units to the assembly using the screws supplied with the units. (Figure C)
- 4** Snap the Double DIN trim plate onto the front of the radio/housing assembly. (Figure C)

*Continue to final assembly.*



# FINAL ASSEMBLY



- (A) Strip wire ends back 1/2"**
- (B) Twist ends together**
- (C) Solder**
- (D) Tape**

- 1** Locate the factory wiring harness in the dash. Metra recommends using the proper mating adapter and making connections as shown. (Isolate and individually tape off the ends of any unused wires to prevent electrical short circuit.)
- 2** Re-connect the negative battery terminal and test the unit for proper operation.
- 3** Reassemble radio and dash assemblies in reverse order of disassembly.

## FINAL WIRING CONNECTIONS

Make wiring connections using the EIA color code chart shown below and the instructions included with the head unit. Metra recommends making connections as shown below; Strip, Splice, Solder, Tape. Isolate and individually tape off ends of any unused wires to prevent electrical short circuit.

### METRA / EIA WIRING CODE

12V Ignition / Acc. . . . . Red	Right Front (+) . . . . . Gray
12V Batt / Memory . . . . . Yellow	Right Front (-) . . . . . Gray/ Black
Ground . . . . . Black*	Left Front (+) . . . . . White
Power Antenna . . . . . Blue	Left Front (-) . . . . . White / Black
Amp Turn-On . . . . . Blue / White	Right Rear (+) . . . . . Violet
Amp Ground . . . . . Black / White	Right Rear (-) . . . . . Violet / Black
Illumination . . . . . Orange	Left Rear (+) . . . . . Green
Dimmer . . . . . Orange / White	Left Rear (-) . . . . . Green / Black

**\*NOTE:** When a Black wire is not present, ground radio to vehicle chassis.  
All colors may not be present on all leads due to manufacturer's specifications.



# 99-8220 INSTRUCTIONS



**1-800-221-0932**



**[www.metraonline.com](http://www.metraonline.com)**

REV. 11/22/10 © COPYRIGHT 2007-2010 METRA ELECTRONICS CORPORATION INST99-8220

## Free Manuals Download Website

<http://myh66.com>

<http://usermanuals.us>

<http://www.somanuals.com>

<http://www.4manuals.cc>

<http://www.manual-lib.com>

<http://www.404manual.com>

<http://www.luxmanual.com>

<http://aubethermostatmanual.com>

Golf course search by state

<http://golfingnear.com>

Email search by domain

<http://emailbydomain.com>

Auto manuals search

<http://auto.somanuals.com>

TV manuals search

<http://tv.somanuals.com>