



INSTALLATION INSTRUCTIONS FOR PART 99-8903B

APPLICATIONS

SUBARU LEGACY & OUTBACK 2010-11

(FOR NON-NAVIGATION RADIOS ONLY)

99-8903B

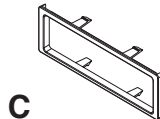
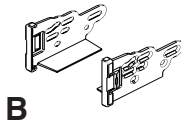
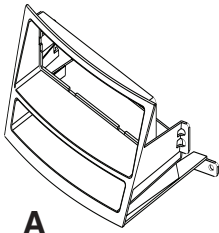
KIT FEATURES

- DIN radio provision with pocket
- ISO radio provision with pocket
- Painted scratch resistant matte black



KIT COMPONENTS

A) Radio Housing B) ISO Brackets C) Trim plate



WIRING AND ANTENNA CONNECTIONS (Sold Separately)

Wiring Harness:

- 70-8901 Subaru Harness 1990-Up
- 70-7552 Nissan Harness 2007-Up

Antenna Adapter:

- 40-SB10 Subaru Antenna Adapter 2005-Up

TOOLS REQUIRED:

- Small Flat Blade Screwdriver
- Phillips Screwdriver
- Panel Removal Tool
- Socket Wrench



METRA. THE WORLD'S BEST KITS.™



1-800-221-0932



www.metraonline.com

© COPYRIGHT 2007-2010 METRA ELECTRONICS CORPORATION



TABLE OF CONTENTS

Dash Disassembly

- 2010-11 Subaru Legacy **1**

- 2010-11 Subaru Outback **1**

Kit Assembly

- DIN Head Unit Provision **2**

- ISO DIN Head Unit Provision **3**

***Note:**

Refer also to the instructions included with the aftermarket radio.



KNOWLEDGE IS POWER

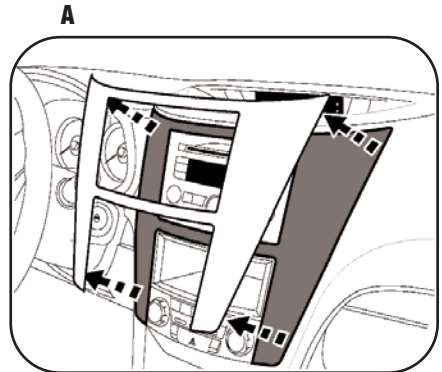
Enhance your installation and fabrication skills by enrolling in the most recognized and respected mobile electronics school in our industry. Log onto www.installerinstitute.com or call 800-354-6782 for more information and take steps toward a better tomorrow.



Metra recommends MECP certified technicians.

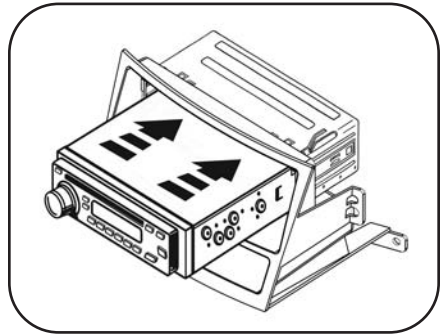
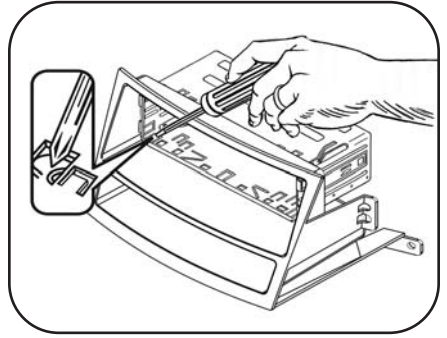
2010-11 SUBARU LEGACY / OUTBACK

- 1** Disconnect the negative battery terminal to prevent an accidental short circuit.
- 2** Unclip and remove the radio trim panel including the a/c vents. (Figure A)
- 3** Remove (4) Phillips screws securing the factory radio.



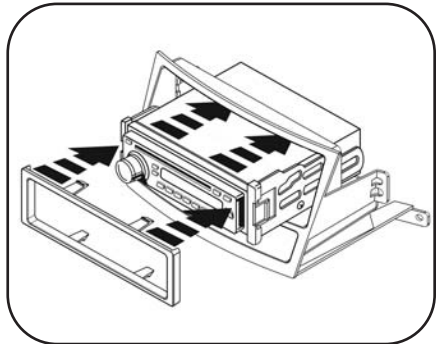
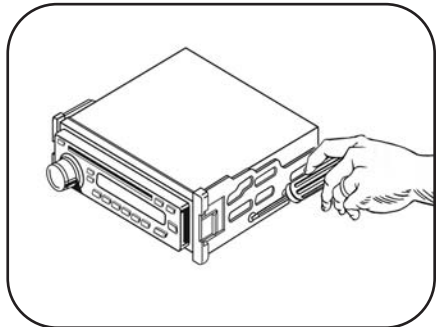
2010-11 SUBARU LEGACY / OUTBACK**DIN HEAD UNIT PROVISION**

- 1 Locate the factory wiring harness in the dash. Metra recommends using the proper mating adapter from Metra or AXCESS. Re-connect the negative battery terminal and test the unit for proper operation.
- 2 Slide the DIN cage into the Radio Housing and secure by bending the metal locking tabs down. (Figure A)
- 3 Slide the aftermarket head unit into the cage and secure. (Figure B)
- 4 Reassemble dash in reverse order of disassembly.



2010-11 SUBARU LEGACY / OUTBACK**ISO DIN HEAD UNIT PROVISION**

- 1 Locate the factory wiring harness in the dash. Metra recommends using the proper mating adapter from Metra or AXCESS. Re-connect the negative battery terminal and test the unit for proper operation.
- 2 Mount the ISO Brackets to the head unit with the screws supplied with the unit. (Figure A)
- 3 Slide the head unit into the radio opening until the side clips engage. (Figure B)
- 4 Snap the Trim plate into the Radio Housing. (Figure B)
- 5 Reassemble dash in reverse order of disassembly.





NOTES



NOTES

99-8903B INSTRUCTIONS

METRA. THE WORLD'S BEST KITS.™



1-800-221-0932



www.metraonline.com

REV. 11/18/10 © COPYRIGHT 2003-2010 METRA ELECTRONICS CORPORATION INST99-8903B

Free Manuals Download Website

<http://myh66.com>

<http://usermanuals.us>

<http://www.somanuals.com>

<http://www.4manuals.cc>

<http://www.manual-lib.com>

<http://www.404manual.com>

<http://www.luxmanual.com>

<http://aubethermostatmanual.com>

Golf course search by state

<http://golfingnear.com>

Email search by domain

<http://emailbydomain.com>

Auto manuals search

<http://auto.somanuals.com>

TV manuals search

<http://tv.somanuals.com>