



INSTALLATION INSTRUCTIONS FOR PART 99-9107B

APPLICATIONS

Audi A4 / S4 2002-2008 (With Symphony Radio)

99-9107B

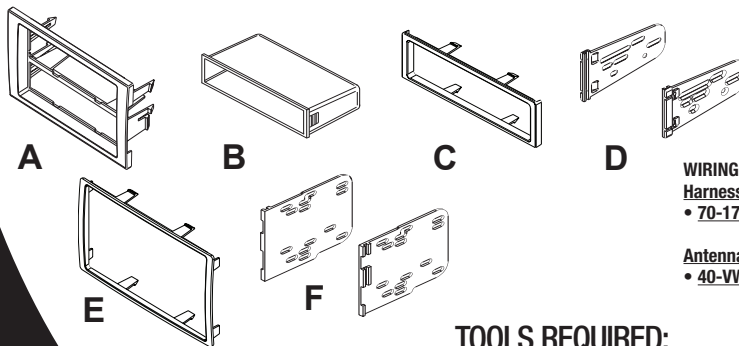
KIT FEATURES

- DIN Head Unit Provision with Pocket
- ISO DIN Head Unit Provision with Pocket
- Double DIN Head Unit Provision
- Painted Matte Black to Match Factory



KIT COMPONENTS

- A) Radio Housing • B) Pocket • C) Trim Plate • D) ISO Brackets • E) Double DIN Trim Plate
- F) Double DIN Brackets



WIRING AND ANTENNA CONNECTIONS (Sold Separately)

Harness:

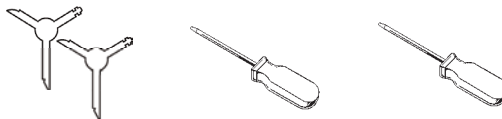
- 70-1787 - VW / Audi Harness 1993-up

Antenna Adapter:

- 40-VW10 - Euro Antenna Adapter 1986-up

TOOLS REQUIRED:

- (2) 86-9001 Head Unit Removal Tools • Small Flat Blade Screwdriver • Phillips Screwdriver



1-800-221-0932



www.metraonline.com

© COPYRIGHT 2004-09 METRA ELECTRONICS CORPORATION



TABLE OF CONTENTS

Dash Disassembly

- Audi A4 / S4 2002-2008 w/Symphony Radio 1

Kit Assembly

- DIN Head Unit Provision with Pocket 2

- ISO DIN Head Unit Provision with Pocket 3

- Double DIN Head Unit Provision 4

Final Assembly 5



KNOWLEDGE IS POWER

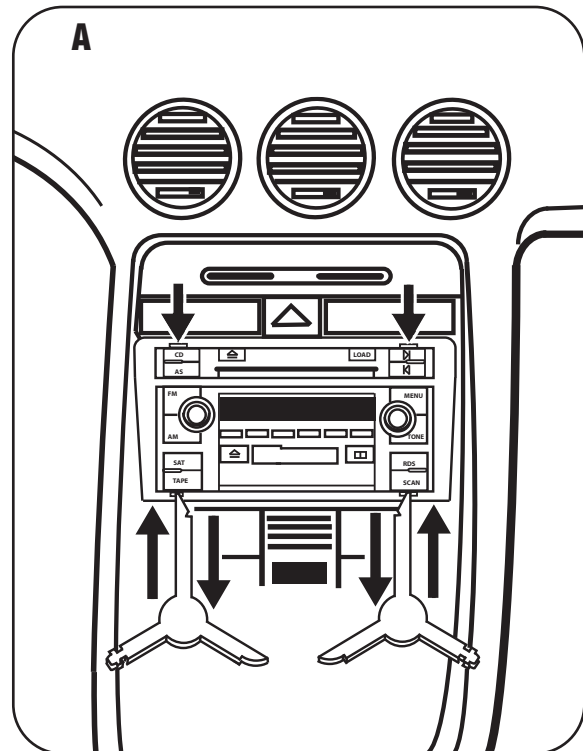
Enhance your installation and fabrication skills by enrolling in the most recognized and respected mobile electronics school in our industry. Log onto www.installerinstitute.com or call 800-354-6782 for more information and take steps toward a better tomorrow.



Metra recommends MECP certified technicians..

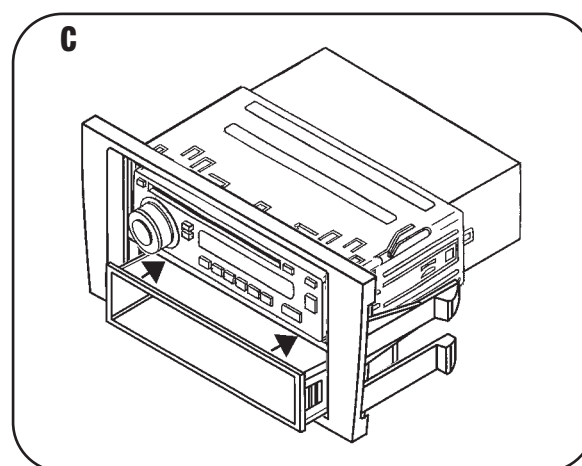
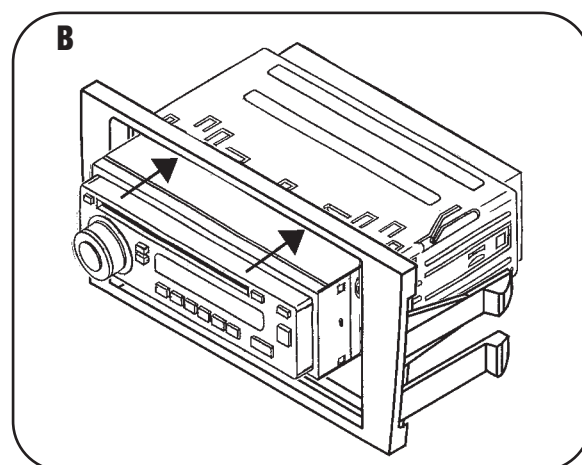
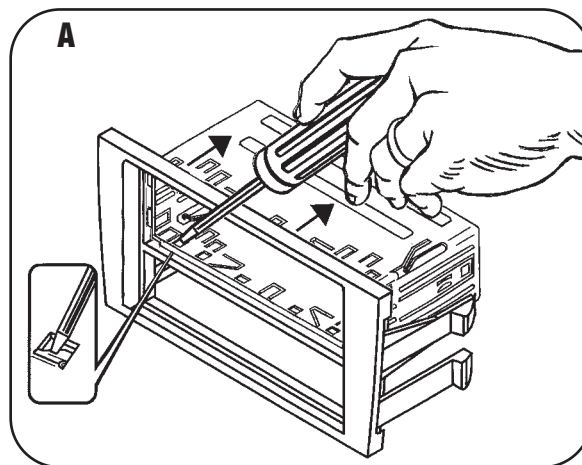
AUDI A4 / S4 2002-2008 W/SYMPHONY RADIO

- 1 Disconnect the negative battery terminal to prevent an accidental short circuit.
- 2 Insert Metra's 86-9001 into the slots in the factory head unit and pull the unit out. (Figure A)
- 3 Disconnect the wiring.



DIN HEAD UNIT PROVISION WITH POCKET

- 1** Snap the DIN cage into the Radio Housing and secure by bending the metal locking tabs down. (Figure A)
- 2** Locate the factory wiring harness in the dash. Metra recommends using the proper mating adapter from Metra or AXCESS. Re-connect the negative battery terminal and test the unit for proper operation.
- 3** Snap radio assembly into factory radio opening.
- 4** Slide the aftermarket radio into the cage and secure. (Figure B)
- 5** Snap the pocket into the Radio Housing until secure. (Figure C)



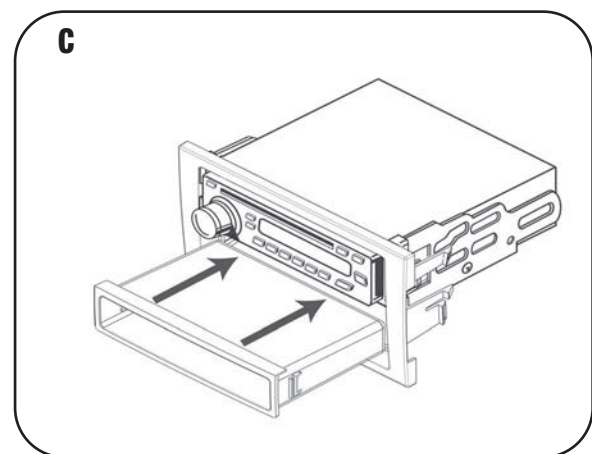
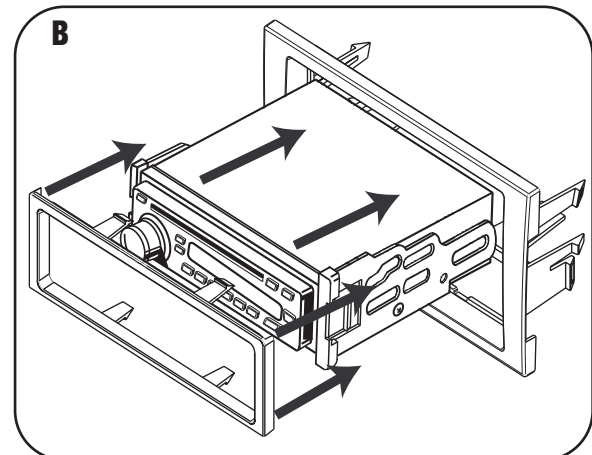
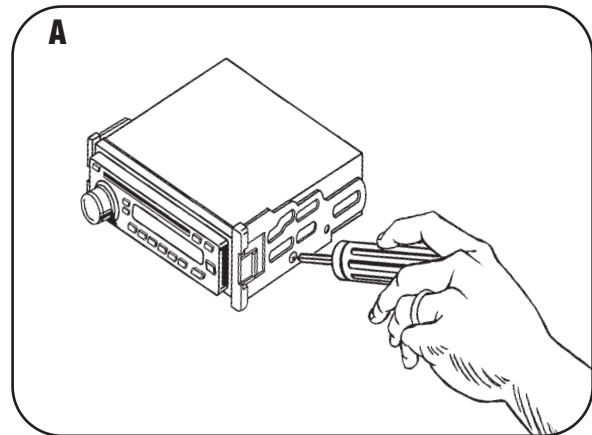
NOTE: Once the dash kit is snapped in, it cannot be removed without dash panel removal



ISO DIN HEAD UNIT PROVISION

- 1** Mount the ISO Brackets to the head unit with the screws supplied with the unit. (Figure A)
- 2** Slide the head unit into the radio opening until the slide clips engage. (Figure B)
- 3** Snap the ISO Trim Plate into the Radio Housing. (Figure B)
- 4** Snap the pocket into the Radio Housing. (Figure C)
- 5** Locate the factory wiring harness in the dash. Metra recommends using the proper mating adapter from Metra or AXXESS. Re-connect the negative battery terminal and test the unit for proper operation.
- 6** Snap the radio assembly into the factory radio opening.

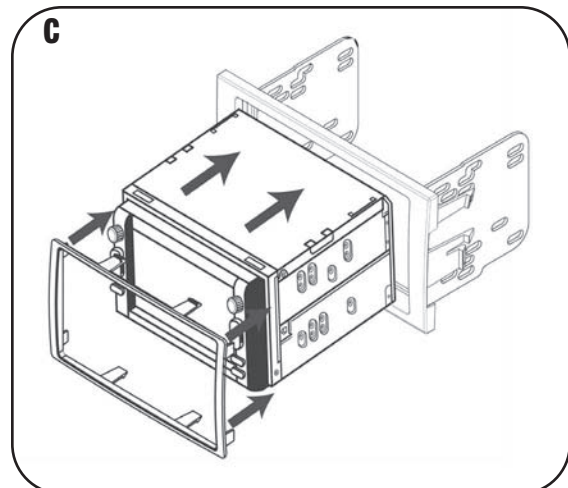
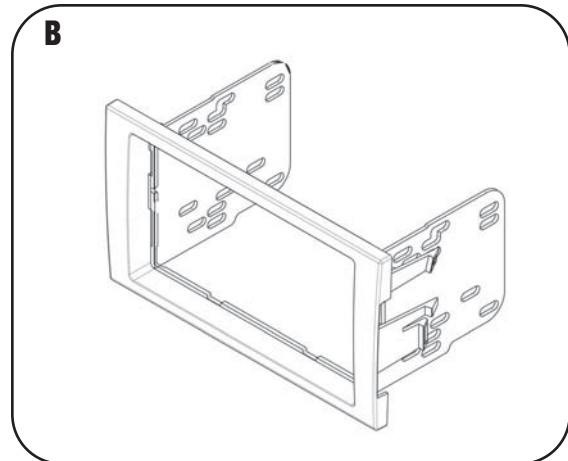
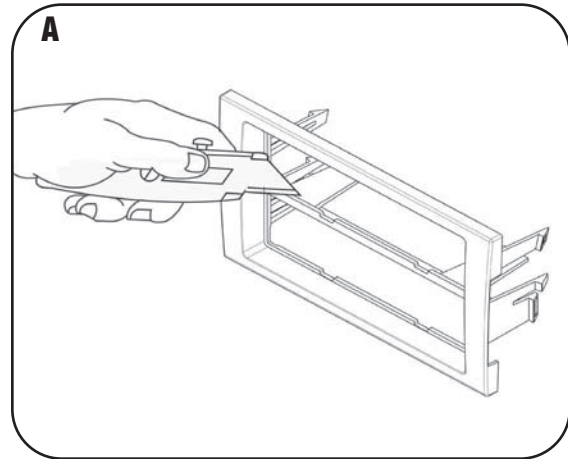
NOTE: Once the dash kit is snapped in, it cannot be removed without dash panel removal





DOUBLE DIN HEAD UNIT PROVISION

- 1 Cut and remove center divider from radio housing. (Figure A)
- 2 Snap the DDIN brackets to the inside edge of the radio housing. (Figure B)
- 3 Slide the DDIN radio unit into the DDIN bracket/radio housing assembly and secure the unit to the kit using the screws supplied with the head unit. (Figure C)
- 4 Snap the DDIN trim-plate onto the housing/radio assembly. (Figure C)
- 5 Locate the factory wiring harness in the dash. Metra recommends using the proper mating adapter from Metra or AXXESS. Re-connect the negative battery terminal and test the unit for proper operation.
- 6 Snap radio assembly into factory radio opening.



NOTE: Once the dash kit is snapped in, it cannot be removed without dash panel removal

99-9107B INSTRUCTIONS



1-800-221-0932



www.metraonline.com

REV. 10/26/09

© COPYRIGHT 2004-09 METRA ELECTRONICS CORPORATION

INST99-9107B

Free Manuals Download Website

<http://myh66.com>

<http://usermanuals.us>

<http://www.somanuals.com>

<http://www.4manuals.cc>

<http://www.manual-lib.com>

<http://www.404manual.com>

<http://www.luxmanual.com>

<http://aubethermostatmanual.com>

Golf course search by state

<http://golfingnear.com>

Email search by domain

<http://emailbydomain.com>

Auto manuals search

<http://auto.somanuals.com>

TV manuals search

<http://tv.somanuals.com>