



INSTALLATION INSTRUCTIONS FOR PART 99-8711

APPLICATIONS

**Mercedes C-Class 2001-2004
Mercedes CLK 2004**

99-8711

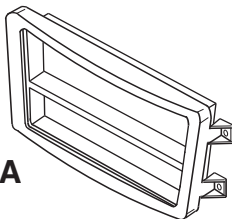
KIT FEATURES

- DIN Radio Provision with Pocket
- Stacked DIN Units Provision

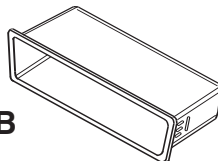


KIT COMPONENTS

A) Radio Housing B) Pocket



A



B

TOOLS REQUIRED:

- Small Flat Blade Screwdriver/ Panel Removal Tool
• Phillips Screwdriver • Torx Screwdriver



1-800-221-0932



www.metraonline.com

© COPYRIGHT 2004 METRA ELECTRONICS CORPORATION



TABLE OF CONTENTS

Dash Disassembly

- Mercedes C-Class 2001-2004 1
- Mercedes CLK 2004 2

Kit Assembly

- DIN Mount Radio Provision 3
- Stacked DIN Units Provision 4

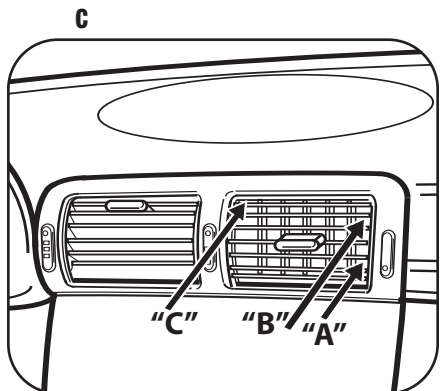
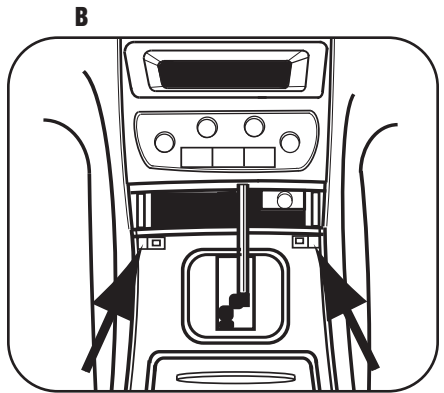
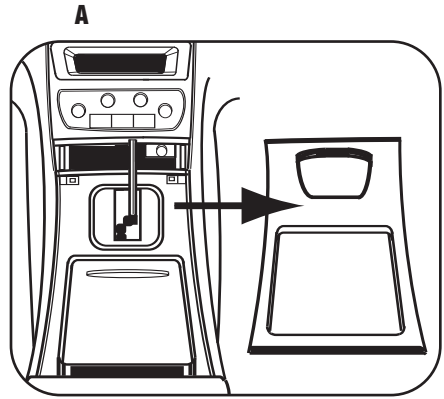
- Final Assembly** 5

***Note:**

Refer also to the instructions included with the aftermarket radio.

MERCEDES C-CLASS 2001-2004

- 1** Disconnect the negative battery terminal to prevent an accidental short circuit.
- 2** Unclip shifter trim (with gear indicators).
- 3** Unclip and remove center console trim panel. (Figure A)
- 4** Remove the ashtray insert by releasing (2) plastic clips on the bottom lip of the ashtray assembly. (Figure B)
- 5** Using a small flat screwdriver push the lower clip ("A") inward and rotate the vent upward to expose (1) Torx head screw. Loosen the Torx screw. (It is not necessary to remove the screw.) (Figure C)
- 6** Using a small flat screwdriver push the upper clip ("B") inward and rotate the vent downward to expose (1) spring clip in the top corner ("C"). Push down on the spring clip. (Figure C)
- 7** Repeat steps 5 and 6 for the other vent and remove vent assembly.
- 8** Unclip the (2) metal clips at the bottom edge of the climate control/radio trim panel and remove trim panel.
- 9** Remove (4) Phillips screws securing factory radio then unplug and remove the radio.



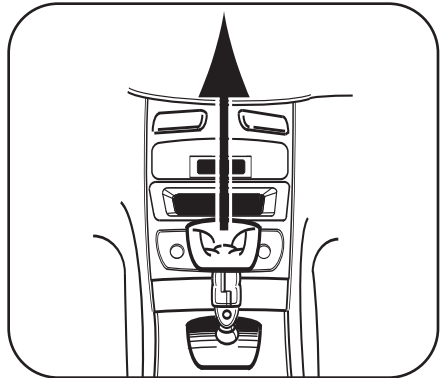
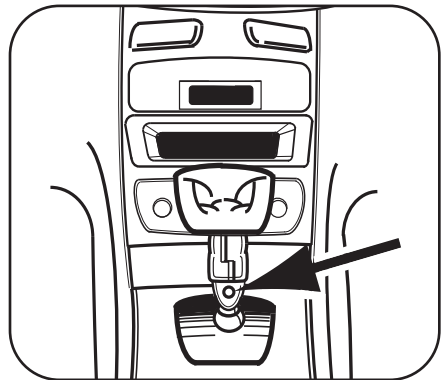
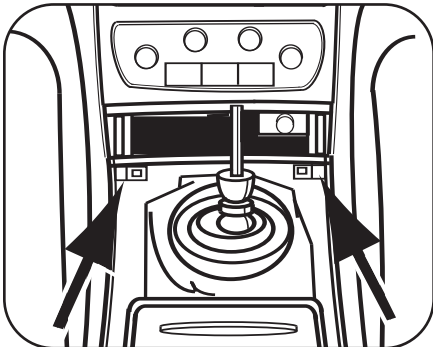
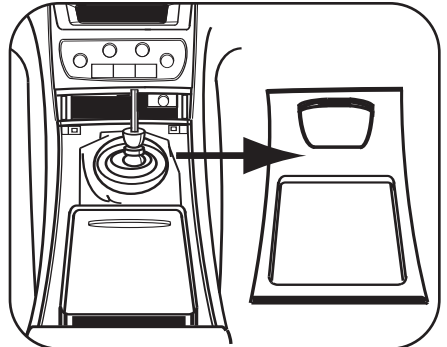
Continue to kit assembly.

MERCEDES CLK 2004

**Note: Refer also to the instructions included with the aftermarket radio.*

- 1 Disconnect the negative battery terminal to prevent an accidental short circuit.
- 2 Loosen shifter boot and pull up over shifter handle. (Figure A)
- 3 Turn the retainer on the shifter 1/2 turn to remove shifter handle and boot. (Figure B)
- 4 Unclip and remove the shifter trim panel. (Figure C)
- 5 Remove the ashtray insert by releasing (2) plastic clips on the bottom lip of the ashtray assembly. (Figure D)
- 6 Remove (2) screws from bottom of climate control/radio trim panel.
- 7 Unclip climate control/radio trim panel. Unplug and remove trim panel.
- 8 Remove the (4) screws securing the radio then unplug and remove the radio.

Continue to final assembly.

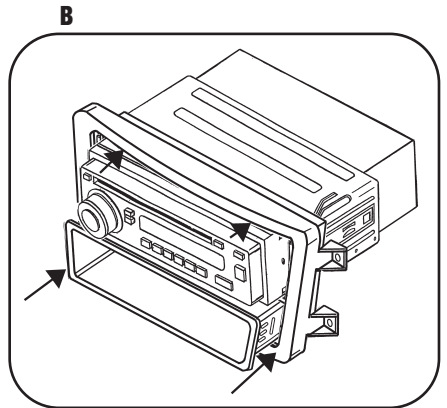
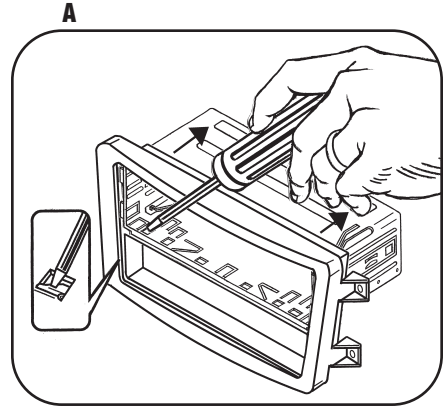
A

B

D

C


DIN MOUNT RADIO PROVISION

**Note: Refer also to the instructions included with the aftermarket radio.*

- 1 Slide the DIN cage into the Radio Housing and secure by bending the metal locking tabs outward. (Figure A)
- 2 Slide the aftermarket radio into the cage until it snaps into place. (Figure B)
- 3 Slide the pocket into the radio housing until it snaps into place. (Figure B)

Continue to final assembly.

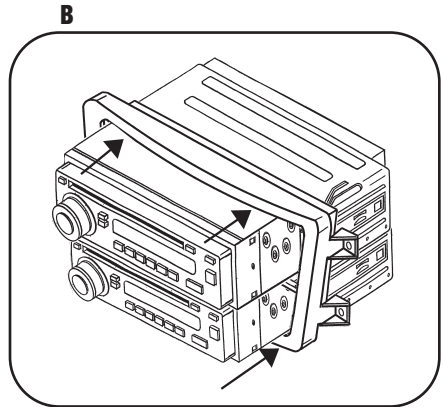
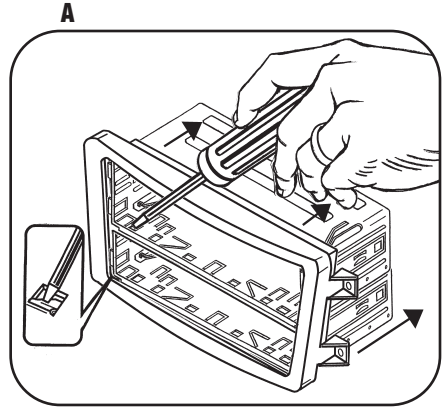


STACKED DIN UNITS PROVISION

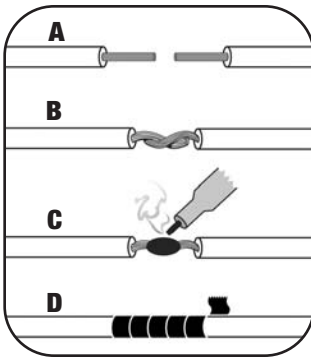
**Note: Refer also to the instructions included with the aftermarket radio.*

- 1 Slide the DIN cages into the Radio Housing and secure by bending the metal locking tabs outward. (Figure A)
- 2 Slide the aftermarket units into the cages until they snap into place. (Figure B)

Continue to final assembly.



FINAL ASSEMBLY



(A) Strip wire ends back 1/2"

B) Twist ends together

C) Solder

D) Tape

- 1 Locate the factory wiring harness in the dash. Metra recommends using the proper mating adapter and making connections as shown. (Isolate and individually tape off the ends of any unused wires to prevent electrical short circuit.)
- 2 Re-connect the negative battery terminal and test the unit for proper operation.
- 3 Reassemble radio and dash assemblies in reverse order of disassembly.

FINAL WIRING CONNECTIONS

Make wiring connections using the EIA color code chart shown below and the instructions included with the head unit. Metra recommends making connections as shown below; Strip, Splice, Solder, Tape. Isolate and individually tape off ends of any unused wires to prevent electrical short circuit.

METRA / EIA WIRING CODE

12V Ignition / Acc. Red	Right Front (+) Gray
12V Batt / Memory. Yellow	Right Front (-). Gray/ Black
Ground. Black*	Left Front (+) White
Power Antenna. Blue	Left Front (-). White / Black
Amp Turn-On Blue / White	Right Rear (+) Violet
Amp Ground. Black / White	Right Rear (-). Violet / Black
Illumination Orange	Left Rear (+) Green
Dimmer Orange / White	Left Rear (-). Green / Black

***NOTE:** When a Black wire is not present, ground radio to vehicle chassis.

All colors may not be present on all leads due to manufacturer's specifications.

99-8711 INSTRUCTIONS



1-800-221-0932



www.metraonline.com

REV. 10/20/06 © COPYRIGHT 2004 METRA ELECTRONICS CORPORATION

INST99-8711

Free Manuals Download Website

<http://myh66.com>

<http://usermanuals.us>

<http://www.somanuals.com>

<http://www.4manuals.cc>

<http://www.manual-lib.com>

<http://www.404manual.com>

<http://www.luxmanual.com>

<http://aubethermostatmanual.com>

Golf course search by state

<http://golfingnear.com>

Email search by domain

<http://emailbydomain.com>

Auto manuals search

<http://auto.somanuals.com>

TV manuals search

<http://tv.somanuals.com>