



## INSTALLATION INSTRUCTIONS FOR PART 99-8714

# APPLICATIONS SMART FORTWO 2008

# 99-8714

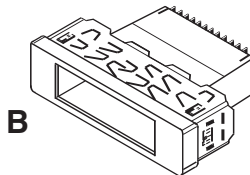
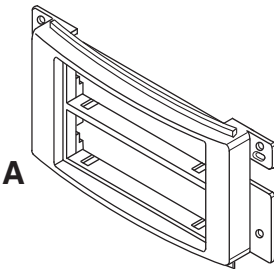
### KIT FEATURES

- DIN Radio Provision with Pocket
- Stacked DIN Units Provision



### KIT COMPONENTS

A) Radio Housing • B) Pocket



### TOOLS REQUIRED:

- Small Flat Blade Screwdriver/ Panel Removal Tool
- T-20 Torx Screwdriver



1-800-221-0932



[www.metraonline.com](http://www.metraonline.com)

© COPYRIGHT 2008

METRA ELECTRONICS CORPORATION



**TABLE OF CONTENTS**

**Dash Disassembly**

**- Smart Fortwo 2008 .....1**

**Kit Assembly**

**- DIN Radio Provision with Pocket .....2**

**- Stacked DIN Units Provision .....3**

**Final Assembly .....4**

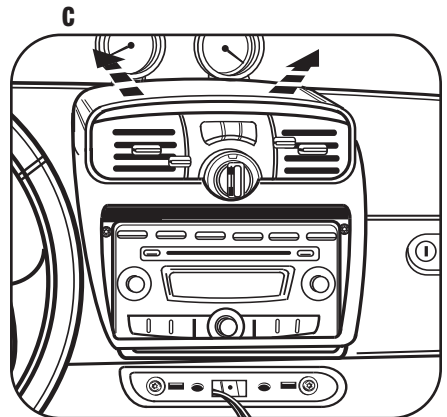
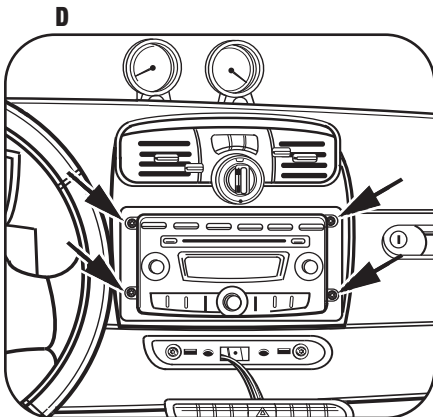
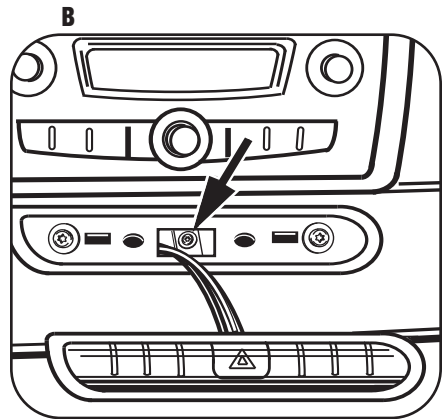
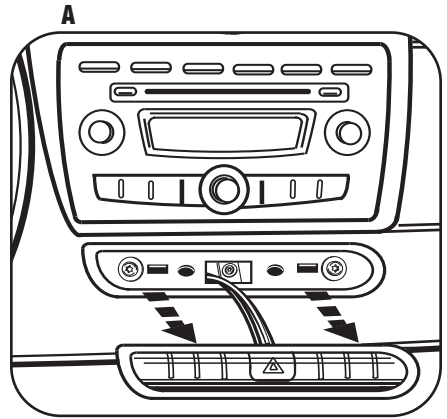
**\*Note:**

**Refer also to the instructions included with the aftermarket radio.**

## SMART FORTWO 2008

- 1 Disconnect the negative battery terminal to prevent an accidental short circuit.
- 2 Unclip the Hazard button switch panel. (Figure A)
- 3 Remove (1) T-20 Torx head screw. (Figure B)
- 4 Carefully unclip the panel surrounding the radio, start at the top of the dash and work your way down. (Figure C)
- 5 Remove (4) T-20 Torx head screws from around the radio. (Figure D)
- 6 Disconnect the wire harness and antenna and remove radio.

*Continue to kit assembly.*



## DIN RADIO PROVISION WITH POCKET

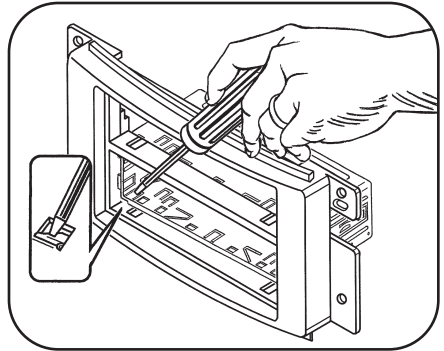
*Note: Refer also to the instructions included with the aftermarket radio.*

- 1 Slide the DIN cage into the radio housing and secure by bending the metal locking tabs outward. (Figure A)
- 2 Slide the aftermarket radio into the cage until it snaps into place. (Figure B)
- 3 Snap the pocket into the radio housing. (Figure C)

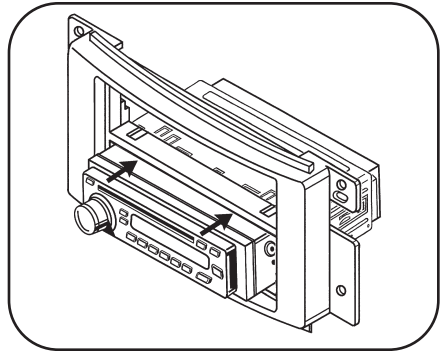
*Continue to final assembly.*

**NOTE:** Pocket may be installed in top or bottom of radio housing.

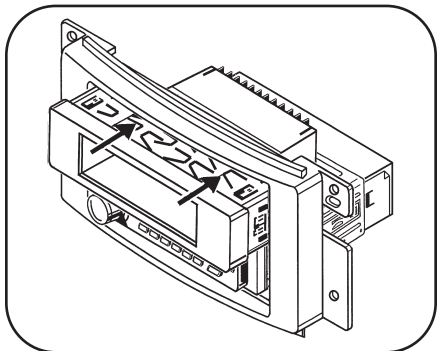
**A**



**B**



**C**

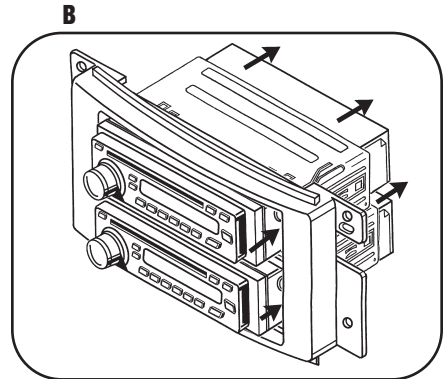
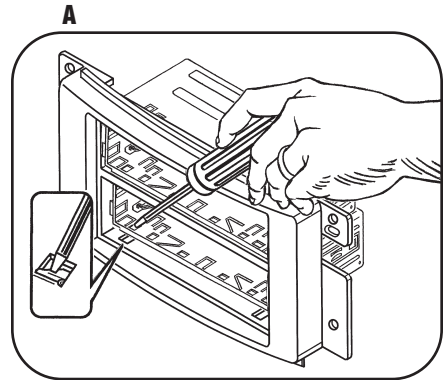


## STACKED DIN UNITS PROVISION

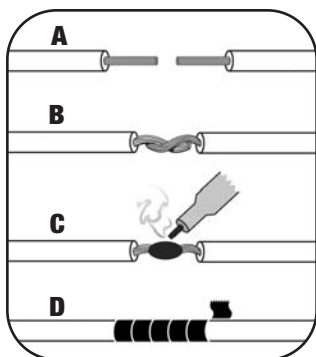
*Note: Refer also to the instructions included with the aftermarket radio.*

- 1 Slide the DIN cages into the radio housing and secure by bending the metal locking tabs outward. (Figure A)
- 2 Slide the aftermarket units into the cage until it snaps into place. (Figure B)

*Continue to final assembly.*



## FINAL ASSEMBLY



**(A) Strip wire ends back 1/2"**

**B) Twist ends together**

**C) Solder**

**D) Tape**

- 1 Locate the factory wiring harness in the dash. Metra recommends using the proper mating adapter and making connections as shown. (Isolate and individually tape off the ends of any unused wires to prevent electrical short circuit.)
- 2 Re-connect the negative battery terminal and test the unit for proper operation.
- 3 Reassemble radio and dash assemblies in reverse order of disassembly.

### FINAL WIRING CONNECTIONS

Make wiring connections using the EIA color code chart shown below and the instructions included with the head unit. Metra recommends making connections as shown below; Strip, Splice, Solder, Tape. Isolate and individually tape off ends of any unused wires to prevent electrical short circuit.

#### METRA / EIA WIRING CODE

12V Ignition / Acc. . . . .	Red	Right Front (+) . . . . .	Gray
12V Batt / Memory. . . . .	Yellow	Right Front (-). . . . .	Gray/ Black
Ground . . . . .	Black*	Left Front (+) . . . . .	White
Power Antenna. . . . .	Blue	Left Front (-). . . . .	White / Black
Amp Turn-On . . . . .	Blue / White	Right Rear (+) . . . . .	Violet
Amp Ground. . . . .	Black / White	Right Rear (-). . . . .	Violet / Black
Illumination . . . . .	Orange	Left Rear (+) . . . . .	Green
Dimmer . . . . .	Orange / White	Left Rear (-) . . . . .	Green / Black

**\*NOTE:** When a Black wire is not present, ground radio to vehicle chassis.

All colors may not be present on all leads due to manufacturer's specifications.



# 99-8714 INSTRUCTIONS



**1-800-221-0932**



**[www.metraonline.com](http://www.metraonline.com)**

REV. 03/27/08 © COPYRIGHT 2008 METRA ELECTRONICS CORPORATION INST99-8714



## Free Manuals Download Website

<http://myh66.com>

<http://usermanuals.us>

<http://www.somanuals.com>

<http://www.4manuals.cc>

<http://www.manual-lib.com>

<http://www.404manual.com>

<http://www.luxmanual.com>

<http://aubethermostatmanual.com>

Golf course search by state

<http://golfingnear.com>

Email search by domain

<http://emailbydomain.com>

Auto manuals search

<http://auto.somanuals.com>

TV manuals search

<http://tv.somanuals.com>