



INSTALLATION INSTRUCTIONS FOR PART 99-9305

APPLICATIONS
BMW X3
2004-2010
(NON-NAV MODELS)

99-9305

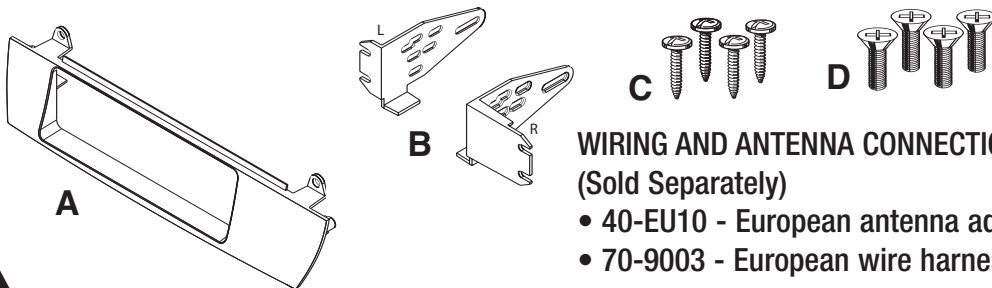


KIT FEATURES

- ISO DIN Head Unit Provision

KIT COMPONENTS

- A) Radio Housing • B) ISO Brackets • C) (4) Phillips Screws • D) (4) Phillips ISO Screws

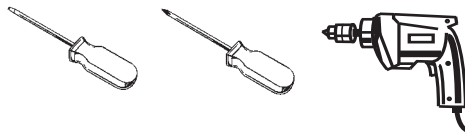


WIRING AND ANTENNA CONNECTIONS (Sold Separately)

- 40-EU10 - European antenna adapter
- 70-9003 - European wire harness

TOOLS REQUIRED:

- Flat Blade Screwdriver • Phillips Screwdriver • Drill



1-800-221-0932

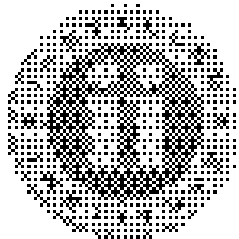


www.metraonline.com

© COPYRIGHT 2004-2010 METRA ELECTRONICS CORPORATION

TABLE OF CONTENTS

<i>Dash Disassembly</i>	
<i>2004-2010 BMW X3.....</i>	<i>1</i>
<i>Kit Assembly</i>	<i>2</i>
<i>Final Assembly</i>	<i>3</i>



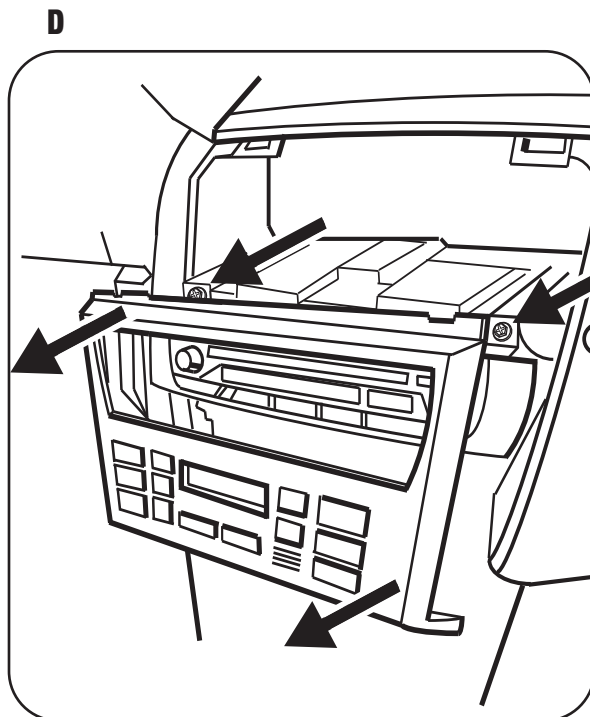
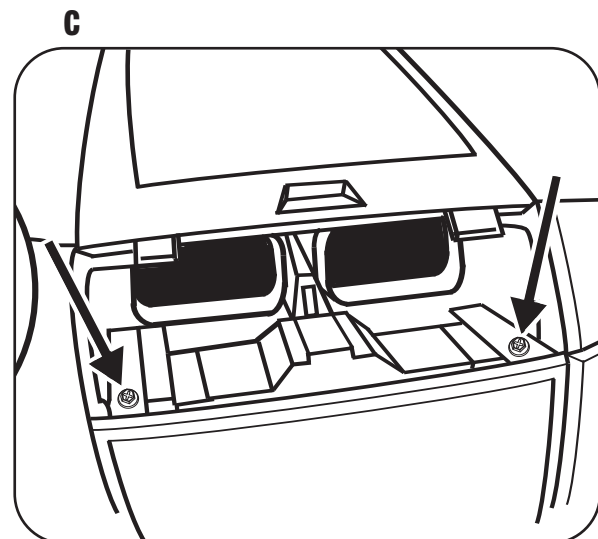
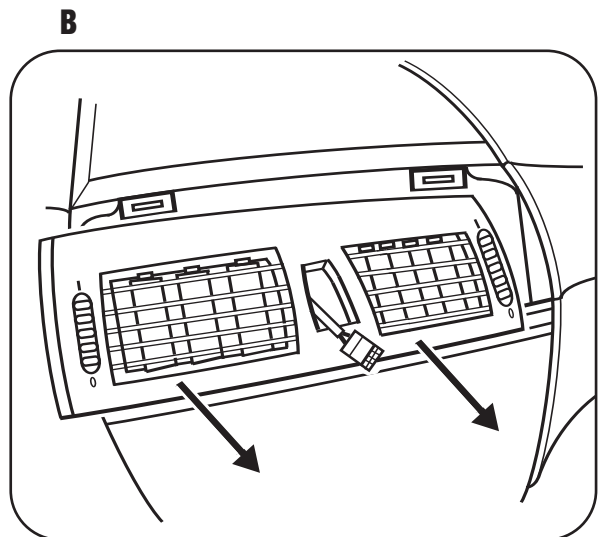
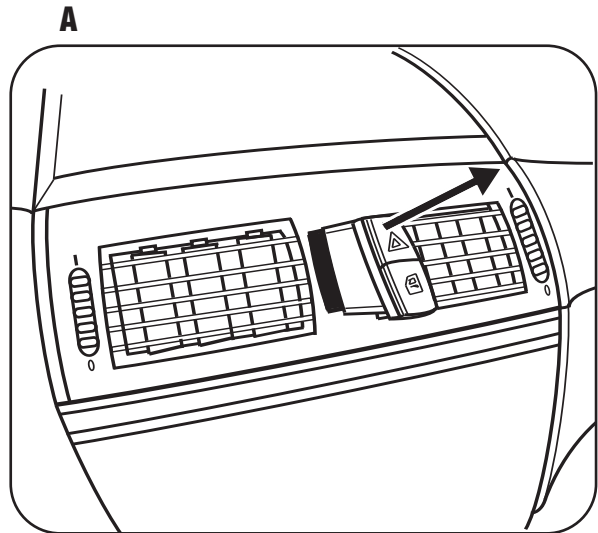
KNOWLEDGE IS POWER

Enhance your installation and fabrication skills by upgrading to the latest equipment and connected mobile electronics solutions in our industry. Log onto www.metradirect.com or call 800-804-8888 for more information and take steps toward a better tomorrow.

BMW X3 2004-2010

(NON-NAV MODELS)

- 1** Disconnect the negative battery terminal to prevent an accidental short circuit.
- 2** Unclip and remove the hazard/door lock switch. (Figure A)
- 3** Unclip and remove the a/c vents above the radio. (Figure B)
- 4** Remove (2) Phillips screws on top of the radio/climate control panel facing down. (Figure C)
- 5** Unclip and remove the radio/climate control panel. (Figure D)
- 6** Remove (2) Phillips screws securing the radio. (Figure D)

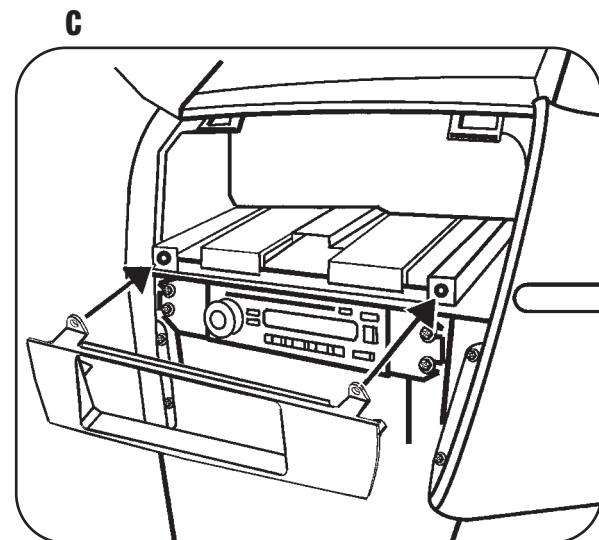
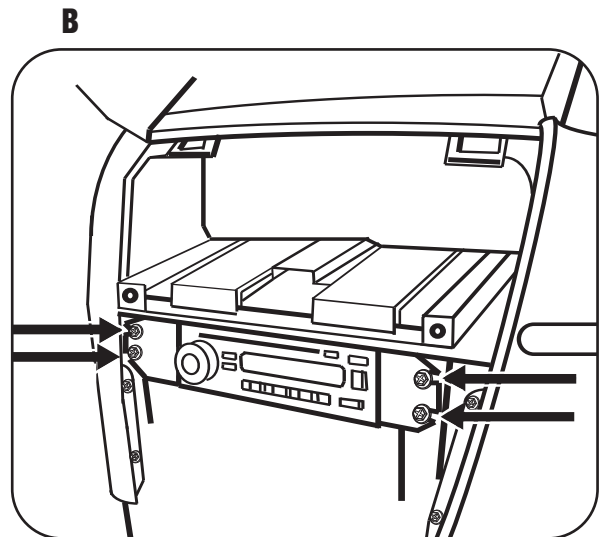
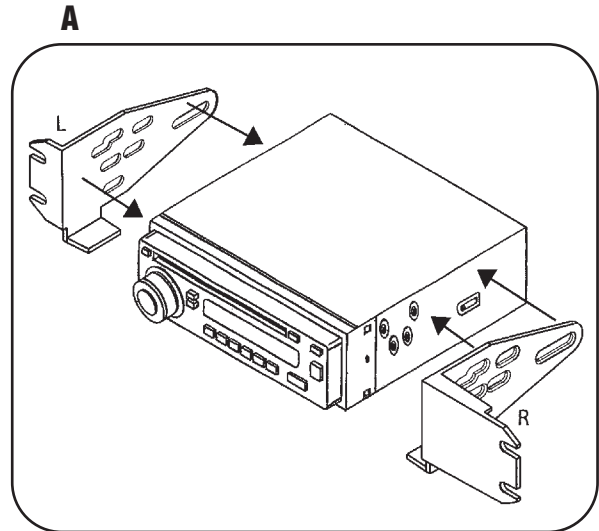


ISO DIN HEAD UNIT PROVISION

- 1 Secure the corresponding bracket to the aftermarket radio using the hardware supplied with the radio. (Figure A)

NOTE: If the ISO screws supplied with the aftermarket radio are too big, use the supplied (4) Phillips ISO screws.

- 2 Using a drill screw the radio/bracket assembly into the dash using the supplied (4) Phillips screws. (Figure B)
- 3 Position the radio housing over the radio face and secure using the factory hardware. (Figure C)

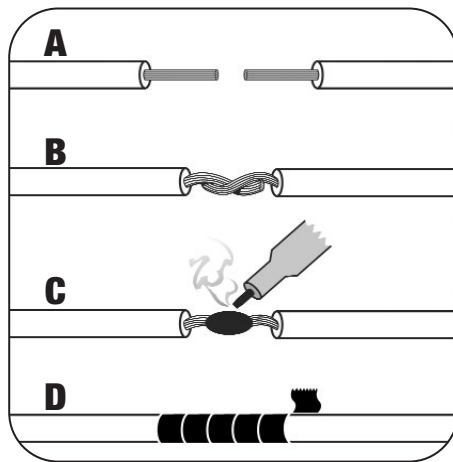


FINAL ASSEMBLY

- 1 Locate the factory wiring harness in the dash and make the connection as shown. Metra recommends using the proper mating adapter and making the connections as shown. (Isolate and individually tape off the ends of any unused wires to prevent electrical short circuit.)
- 2 Re-connect the negative battery terminal and test the unit for proper operation.
- 3 Reassemble radio and dash assemblies in reverse order of disassembly.

FINAL WIRING CONNECTIONS

Make wiring connections using the EIA color code chart shown below and the instructions included with the head unit. Metra recommends making connections as shown below; Strip, Splice, Solder, Tape. Isolate and individually tape off ends of any unused wires to prevent electrical short circuit.



- A) Strip wire ends back 1/2"**
- B) Twist ends together**
- C) Solder**
- D) Tape**

METRA / EIA WIRING CODE

12V Ignition / Acc . . . Red	Right Front (+) Gray
12V Batt / Memory . . . Yellow	Right Front (-) Gray / Black
Ground Black*	Left Front (+) White
Power Antenna Blue	Left Front (-) White / Black
Amp Turn-On Blue / White	Right Rear (+) Violet
Amp Ground Black / White	Right Rear (-) Violet / Black
Illumination Orange	Left Rear (+) Green
Dimmer Orange / White	Left Rear (-) Green / Black

***NOTE:** When Black a wire is not present, ground radio to vehicle chassis.

All colors may not be present on all leads due to manufacturer's specifications.

99-9305 INSTRUCTIONS



1-800-221-0932



www.metraonline.com

REV. 04/26/09

© COPYRIGHT 2004-2010 METRA ELECTRONICS CORPORATION

INST99-9305

Free Manuals Download Website

<http://myh66.com>

<http://usermanuals.us>

<http://www.somanuals.com>

<http://www.4manuals.cc>

<http://www.manual-lib.com>

<http://www.404manual.com>

<http://www.luxmanual.com>

<http://aubethermostatmanual.com>

Golf course search by state

<http://golfingnear.com>

Email search by domain

<http://emailbydomain.com>

Auto manuals search

<http://auto.somanuals.com>

TV manuals search

<http://tv.somanuals.com>