



INSTALLATION INSTRUCTIONS FOR PART 99-2001, AW-200GM

APPLICATIONS

See application list inside

GM multi-kit 1994 - 2008

99-2001

AW-200GM

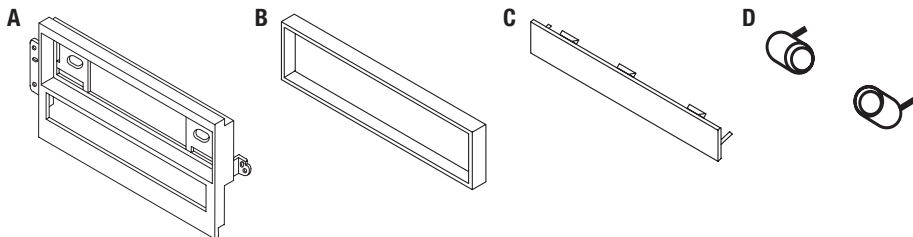


KIT FEATURES

- DIN head unit with equalizer provision

KIT COMPONENTS

- A) Radio Housing • B) Spacer • C) Equalizer Dummy Plate • D) Shaft Masks



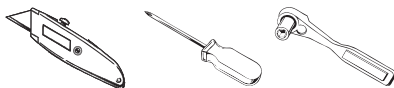
WIRING & ANTENNA CONNECTIONS (Sold Separately)

Wiring Harness: Please see www.metraonline.com for specific interface applications

- Antenna Adapter: • 40-GM10 GM Antenna Adapter 1988-up
• 40-CR10 Chrysler antenna adapter 2002-up

TOOLS REQUIRED

Utility Knife • Phillips Screwdriver • Socket Set



METRA. THE WORLD'S BEST KITS.™



1-800-221-0932



metraonline.com

© COPYRIGHT 2004-2011 METRA ELECTRONICS CORPORATION

Download from www.Somanuals.com. All Manuals Search And Download.



99-2001, AW-2006M

Applications

Buick

Century	1997-2005
Le Sabre	1995-2005
Park Avenue	1995-2005
Rainier	2004-2007
Regal	1995-2004
Rendezvous	2002-2007
Riviera	1996-1999
Roadmaster	1995-1996
Skyllark	1996-1998

Cadillac

Escalade	2003-2006
----------	-----------

Chevrolet

Avalanche	2003-2006
Blazer	2002-2005
Cavalier	2000-2005
Colorado	2004-2008
Express Van (full size)	2001-2007
Impala	2000-2005
Malibu	2001-2003
Malibu Classic	2004-2005
Monte Carlo	2000-2005
S-10	2002-2004

Chevrolet (cont.)

Silverado	2003-2006
Silverado Classic	2007
Suburban	2003-2006
Tahoe	2003-2006
Traiblazer	2002-2007
Venture	2000-2005

GMC

Canyon	2004-2008
Denali	2003
Envoy	2002-2007
Savanna	2001-2007
Sierra	2003-2006
Sierra Classic	2007
Sonoma	2002-2004
Yukon/Denali/XL	2003-2006

Hummer

H2	2003-2007
----	-----------

Isuzu

Ascender	2003-2005
I-290/I370	2007-2008
I-280/I350	2006

Oldsmobile

Achieva	1996-1998
Alero	1999-2004
Aurora	1995-2003
Bravada	1998-2001
Bravada	2002-2004
Cutlass	1997-1999
Cutlass Supreme	1995-1997
Eighty-Eight	1994-1999
Intrigue	1998-2002
LSS	1996-1999
Ninety-Eight	1994-1996
Regency	1997-1998
Silhouette	2000-2004

Pontiac

Aztec	2001-2005
Bonneville	2000-2005
Grand Am	2001-2005
Montana	2000-2005
Sunfire	2000-2005

Caution

Metra recommends disconnecting the negative battery terminal before beginning any installation.

All accessories, switches, and especially air bag indicator lights must be plugged in before reconnecting the battery or cycling the ignition.

***NOTE: Refer also to the instructions included with the aftermarket radio.**



KNOWLEDGE IS POWER

Enhance your installation and fabrication skills by enrolling in the most recognized and respected mobile electronics school in our industry. Log onto www.installerinstitute.com or call 800-354-6782 for more information and take steps toward a better tomorrow.



Metra recommends MECP certified technicians



Table of Contents

Dash Disassembly

Buick

Century 1997-2005.....	5
Le Sabre 1995-2005.....	6
Park Avenue 1995-2005.....	6
Rainier 2004-2007.....	22
Regal 1995-2004.....	5
Rendezvous 2002-2007.....	7
Riviera 1996-1999.....	8
Roadmaster 1995-1996.....	9
Skylark 1996-1998.....	10

Cadillac

Escalade/EXT 2003-2006.....	11
-----------------------------	----

Chevrolet

Avalanche 2003-2006.....	11
Blazer 2002-2005.....	12
Cavalier 2000-2005.....	13
Colorado 2004-2008.....	14
Express Van (full size) 2001-2002.....	15
Express Van (full size) 2003-2007.....	16
Impala 2000-2005.....	17
Malibu 2001-2003.....	17
Malibu Classic 2004.....	17
Monte Carlo 2000-2005.....	18

Chevrolet (cont.)

S-10 2002-2004.....	12
Silverado 2003-2006.....	11
Silverado Classic 2007.....	11
Suburban 2003-2006.....	11
Tahoe 2003-2006.....	11
Trailblazer 2002-2007.....	19
Venture 2000.....	20
Venture 2001-2005.....	21

GMC

Canyon 2004-2008.....	14
Denali 2003.....	11
Envoy 2002-2007.....	22
Savanna 2001-2002.....	15
Savanna 2003-2007.....	16
Sierra 2003-2006.....	11
Sierra Classic 2007.....	11
Sonoma 2002-2004.....	12
Yukon/Denali/XL 2003-2006.....	11

Hummer

H2 2003-2007.....	23-24
-------------------	-------

Continued on next page



99-2001, AW-200GM

Table of Contents *(continued)*

Isuzu

Ascender 2003-2005	22
I-290/I370 2007-2008	14
I-280/I350 2006	14

Oldsmobile

Achieva 1996-1998	25
Alero 1999-2004	25
Aurora 1995-2003	26
Bravada 1998-2001	12
Bravada 2002-2004	22
Cutlass 1997-1999	26
Cutlass Supreme 1995-1997	26
Eighty-Eight 1994-1999	27
Intrigue 1998-2002	27
LSS 1996-1999	28
Ninety-Eight 1994-1996	27
Regency 1997-1998	28
Silhouette 2000	20
Silhouette 2001-2004	21

Pontiac

Aztec 2001-2005	29
Bonneville 2000-2005	29
Grand Am 2001-2005	30
Montana 2000	20
Montana 2001-2005	21
Sunfire 2000-2005	30

Kit Assembly

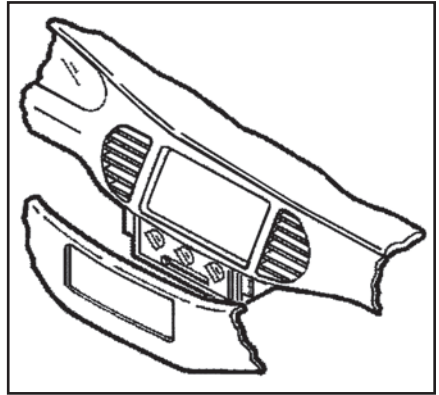
All vehicles-DIN head unit provisions ...	31
All vehicles-shaft head unit provisions ..	31



Dash Disassembly 99-2001, AW-2006M

Buick Century 1997-2005 **Buick Regal 1995-2004**

1. Remove the plastic trim piece to the left of the glove box and (1) Phillips screw exposed.
2. Unsnap the top edge of the knee bolster panel.
3. Remove (1) Phillips screw from the panel.
4. Remove the ashtray cluster and (2) Phillips screws from each side.
5. Unclip the entire dash trim bezel and remove.
6. Open doors and unsnap end caps from each side of dash.
7. Unsnap and remove radio/instrument cluster panel.
8. Remove (3) screws in order to remove radio.

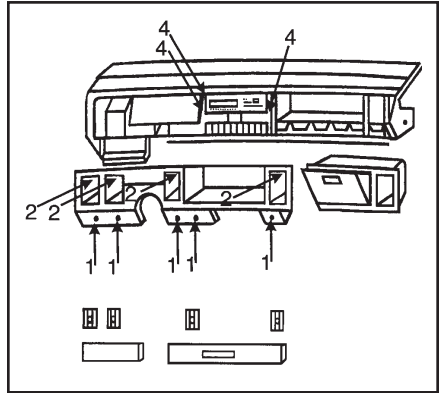


Continue to kit assembly

Buick Le Sabre 1995-1999 Buick Park Avenue 1995-1999

1. Unsnap the climate control trim panel (from door to door) and remove (4) Phillips screws exposed.
2. Pop out the a/c vents and remove (1) Phillips screw exposed in each vent cavity.
3. Unclip the radio trim bezel and remove.
4. Remove the screws securing the factory head unit and disconnect the wiring.

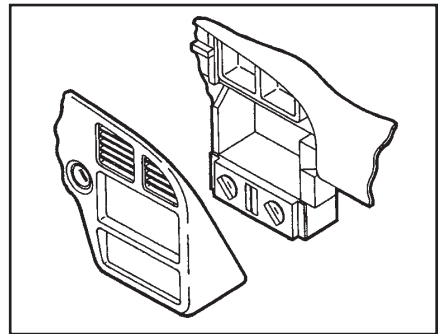
Continue to kit assembly



Buick Le Sabre 2000-2005 Buick Park Avenue 2000-2005

1. Open drivers door and unsnap and remove dash end cap.
2. Unsnap and remove trim along center of dash. (*One piece on right and one on left of wheel*)
3. Unsnap and remove radio/instrument bezel.
4. Remove (2) screws in order to remove radio.

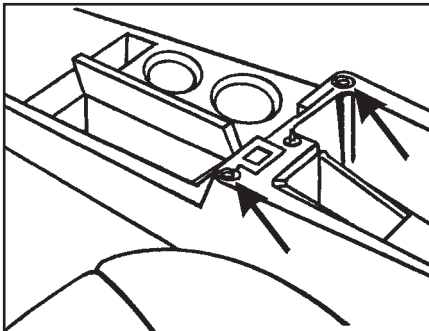
Continue to kit assembly



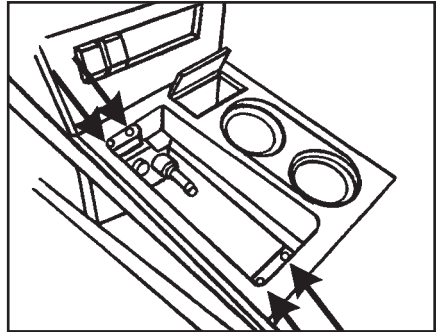
Buick Rendezvous 2002-2007

1. Open center console and remove 2 screws at front of console opening. (Figure A)
2. Remove liners from cup holders and storage pocket next to cup holders, then remove screws. Unsnap and remove panel. (Figure B)
3. Remove (2) screws from bottom of radio/climate control bezel, unclip and remove. (Figure C)
4. Remove (3) 9/32" hex head screws to remove radio. (Figure D)

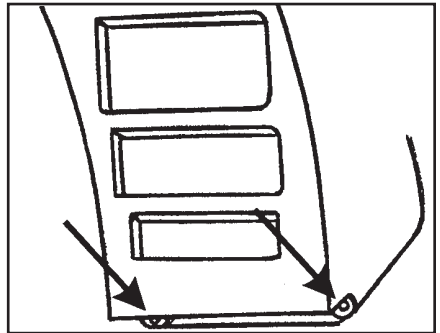
Continue to kit assembly



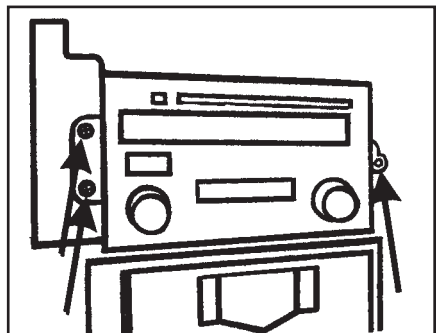
(Figure A)



(Figure B)



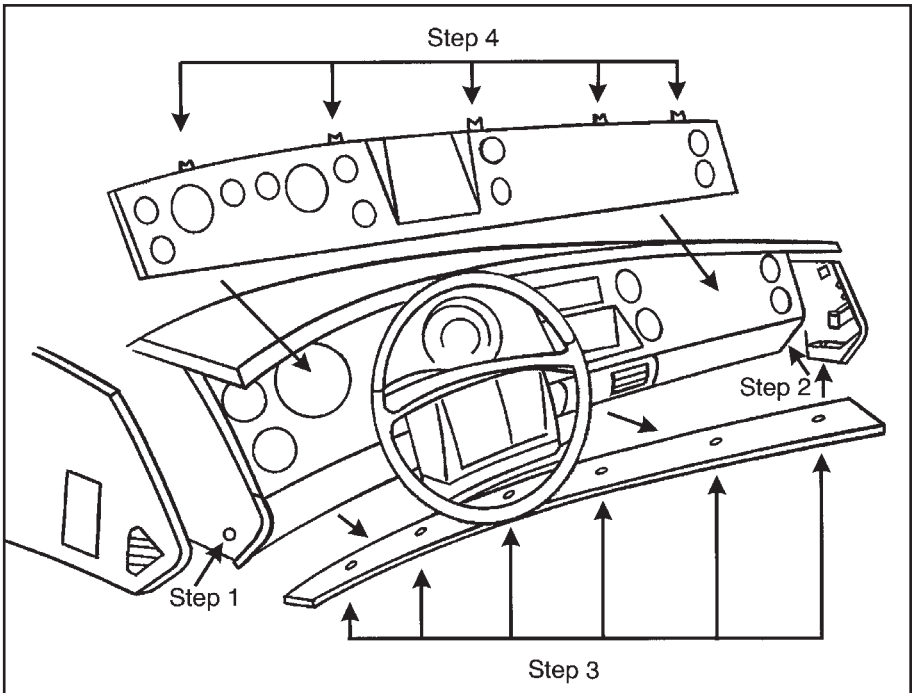
(Figure C)



(Figure D)

Buick Riviera 1996-1999

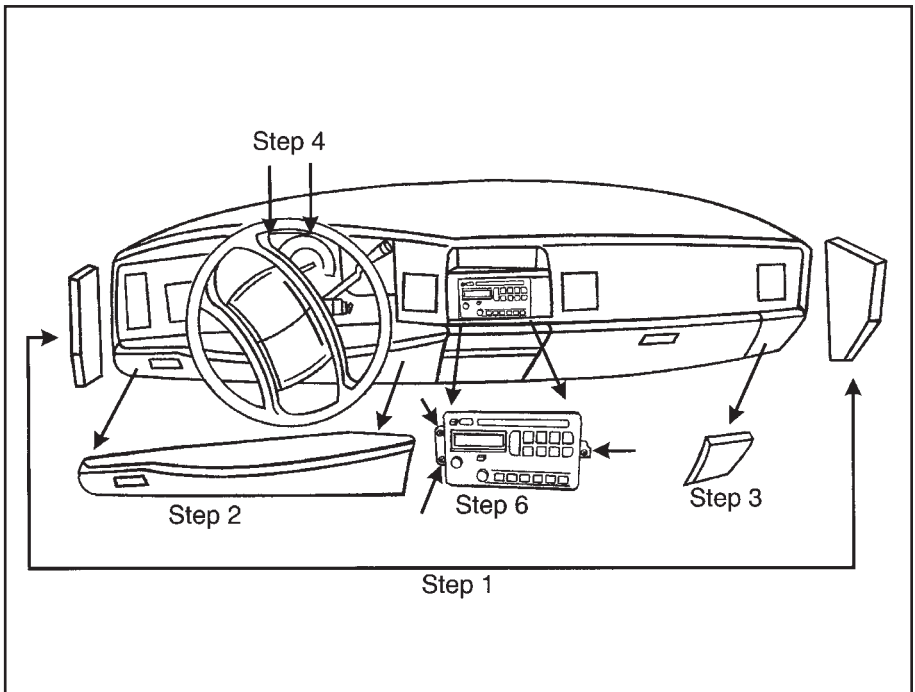
1. Unsnap left side panel exposing (1) Phillips screw to remove.
 2. Remove (1) Phillips screw and unsnap right side panel to expose (1) Phillips screw beneath panel and remove.
 3. Unsnap underside of overhanging dash to unsnap (6) plastic rivets and remove panel.
 4. Remove (5) hex head screws now exposed under overhang.
 5. Unsnap bottom edge of trim bezel, then while holding overhang up, unsnap and remove trim bezel by removing any necessary harnesses.
 6. Remove (3) Phillips screw to remove climate control.
 7. Remove (2) Phillips screws to remove rear support and (3) 9/32" hex head screws to remove radio.
- Continue to kit assembly*



Buick Roadmaster 1995-1996

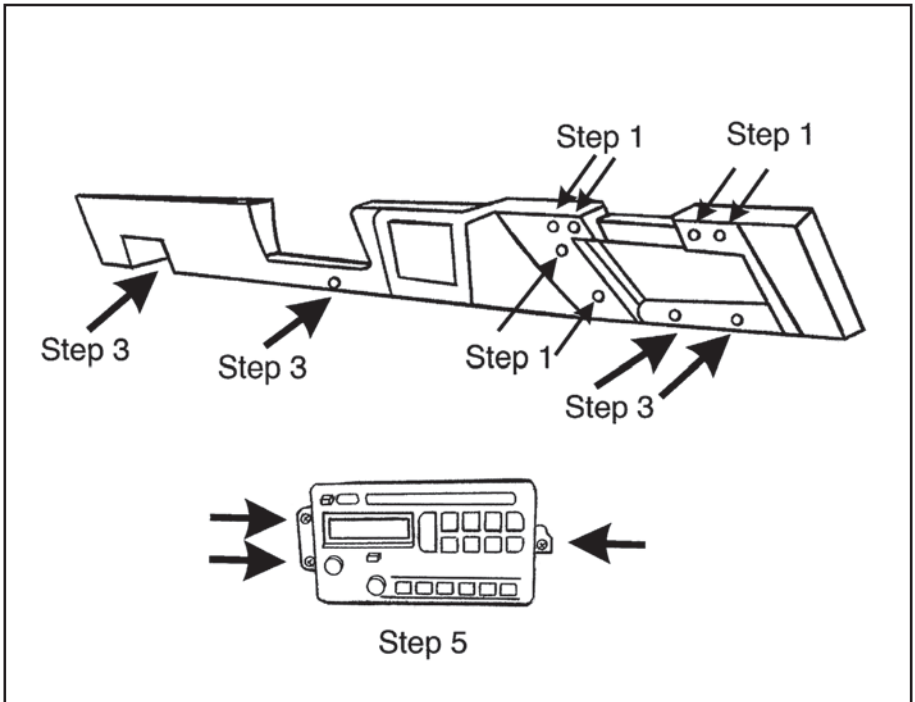
1. Unclip dash panel sides and remove.
2. Unclip panel below steering column and remove.
3. Remove (2) 7 mm screws above instrument cluster.
4. Set parking brake, turn car on, and move shifter to the lowest gear. Tilt steering wheel down then unsnap entire instrument cluster/radio panel and remove.
5. Remove (3) 7 mm screws to remove radio.

Continue to kit assembly



Buick Skylark 1996-1998

1. Remove (6) 9/32" screws inside glove box.
 2. Under glove box and drivers knee bolster, remove (2) plastic panels by turning (2) 1/4 turn fasteners per side.
 3. Remove (4) 9/32" screws revealed. (2 per side).
 4. Unsnap panel from driver's side to passenger's side.
 5. Remove (3) 9/32" screws to remove radio.
- Continue to kit assembly*



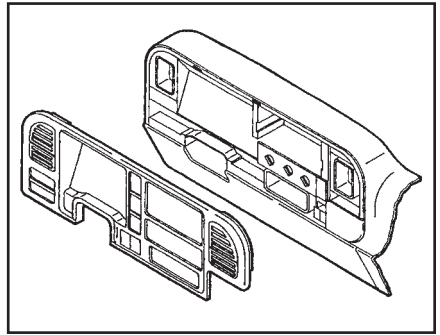


Dash Disassembly 99-2001, AW-2006M

Cadillac Escalade 2003-2006 Chevrolet Avalanche 2003-2006 Chevrolet Silverado/Classic 2003-2007 Chevrolet Suburban 2003-2006 Chevrolet Tahoe 2003-2006 GMC Sierra/Classic 2003-2007 GMC Yukon/Denali/XL 2003-2006

1. Unsnap and remove dash bezel.
2. Remove (3) 9/32" screws and remove radio.

Continue to kit assembly

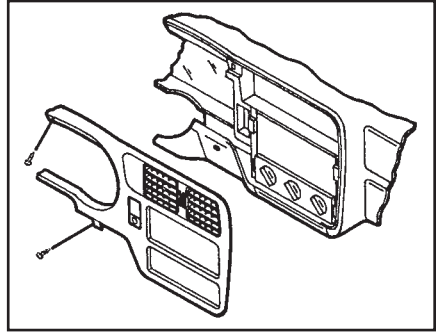




Dash Disassembly 99-2001, AW-2006M

Chevrolet Blazer 2002-2005 Chevrolet S-10 2002-2004 GMC Sonoma 2002-2004 Oldsmobile Bravada 1998-2001

1. Remove (2) 9/32" hex-head screws from the knee bolster panel.
2. Pull down on the panel and remove the 9/32" hex-head screws exposed on the bottom of the dash trim bezel.
3. Remove (1) Phillips screw above the instrument cluster.
4. Unclip the dash trim bezel and remove.
5. Remove (2) 9/32" hex-head screws securing the factory head unit and disconnect the wiring.

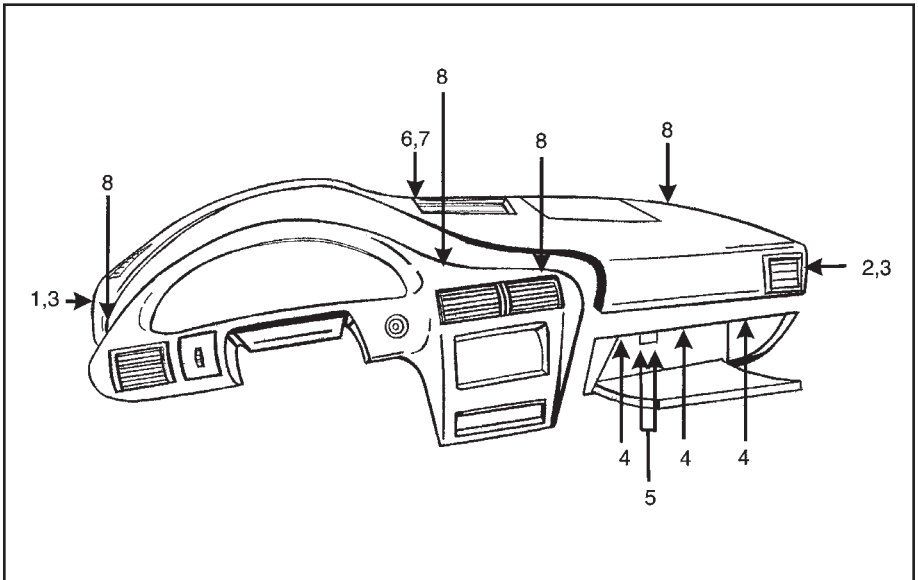


Continue to kit assembly

Chevrolet Cavalier 2000-2005

1. Open drivers door and remove fuse panel on end of dash.
2. Open passenger door and remove panel on end of dash.
3. Remove (1) Phillips screw from each side exposed.
4. Remove (3) screws from top of glove box liner.
5. Remove (2) screws from the top-left corner of the glove box cavity.
6. Remove (1) Phillips screw from the defroster duct.
7. Remove the ductwork and (1) Phillips screw exposed.
8. Remove the dash pad and (3) Phillips screws exposed at the top of the radio trim bezel.

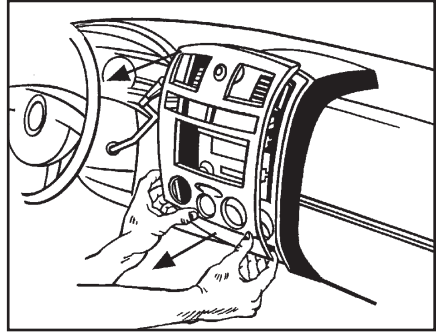
Continue to kit assembly



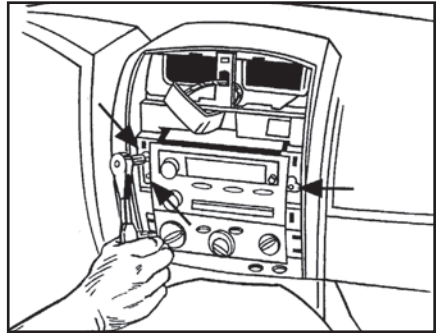
**Chevrolet Colorado 2004-2008
GMC Canyon 2004-2008
Isuzu I-290/I-370 2007-2008
Isuzu I-280/I-350 2006**

1. Unsnap and remove the entire panel surrounding the radio and A/C controls. (Figure A)
2. Remove (3) 9/32" screws securing the radio to remove. (Figure B)

Continue to kit assembly



(Figure A)

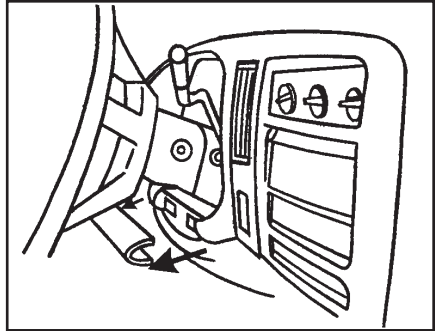


(Figure B)

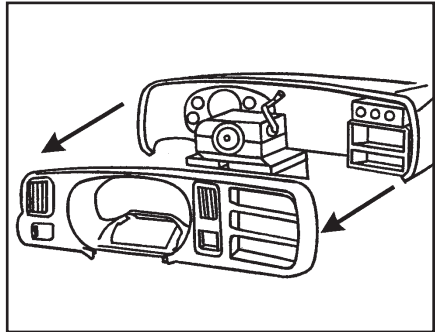
Chevrolet Express Van 2001-2002 GMC Savanna 2001-2002

1. Unsnap and remove small trim panel below steering column. (Figure A)
2. Unsnap radio/climate/instrument panel. (Figure B)
3. Move shift lever to first gear position.
4. Rotate panel counterclockwise to lift over steering column and remove.
5. Remove (3) 9/32" hex head screws to remove radio. (Figure C)

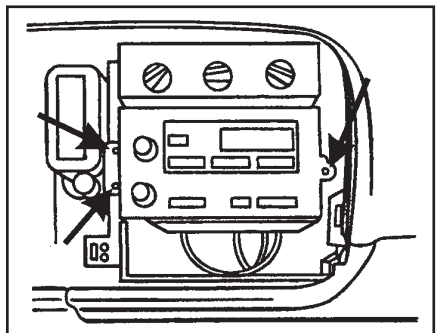
Continue to kit assembly



(Figure A)



(Figure B)

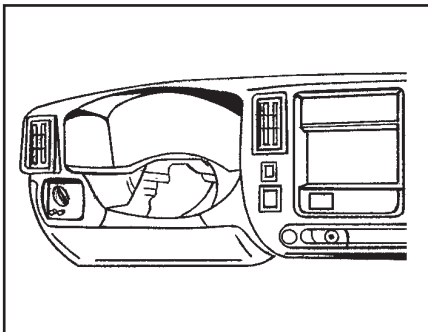


(Figure C)

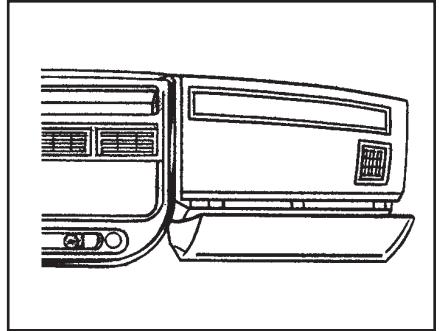
Chevrolet Express Van 2003-2007 GMC Savanna 2003-2007

1. Remove (2) 10 mm bolts from below knee bolster under steering column and remove panel. (Figure A)
2. Remove (2) 10 mm bolts from panel below passenger dash airbag and remove panel. (Figure B)
3. Remove (2) 10 mm nuts from inside center pocket between power outlets. (Figure C)
4. Unsnap and remove radio and instrument cluster panel. *(May not be necessary to completely remove radio and instrument cluster panel to access radio.)*
5. Remove (3) 9/32" bolts to remove radio. (Figure D)

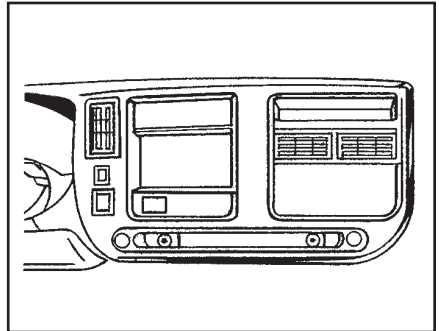
Continue to kit assembly



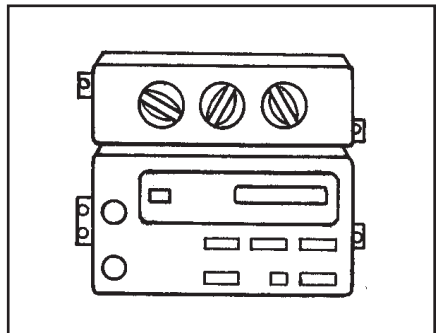
(Figure A)



(Figure B)



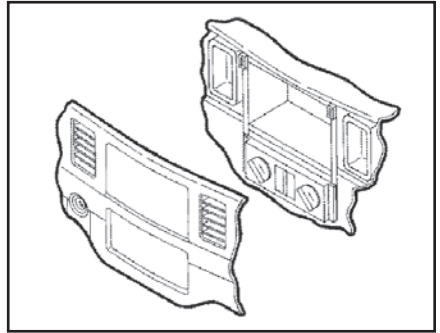
(Figure C)



(Figure D)

Chevrolet Impala 2000-2005

1. Unclip each side of the dash trim bezel (fuse access) and remove (1) Phillips screw exposed on each side.
2. Remove (2) Phillips screws under the instrument cluster.
3. Unclip the trim panel above the pedals. (It is not necessary to remove the panel it can be left hanging).
4. Remove (2) Phillips screws from the knee panel.
5. Unclip the knee panel and remove (1) phillips screw exposed on the right side of the steering column.
6. Unclip and remove the entire dash trim bezel.

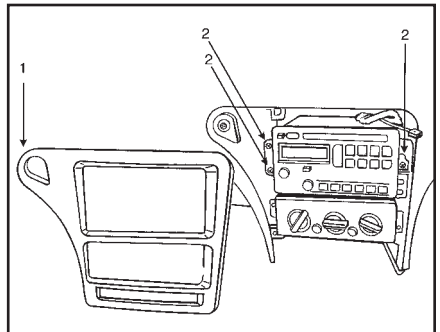


Continue to kit assembly

Chevrolet Malibu 2001-2003 Chevrolet Malibu Classic 2004-2005

1. Unsnap and remove radio bezel.
2. Remove (3) bolts and remove radio.

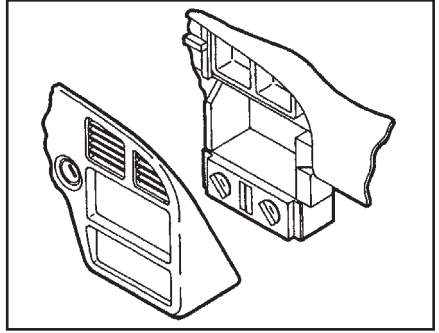
Continue to kit assembly



Chevrolet Monte Carlo 2000-2005

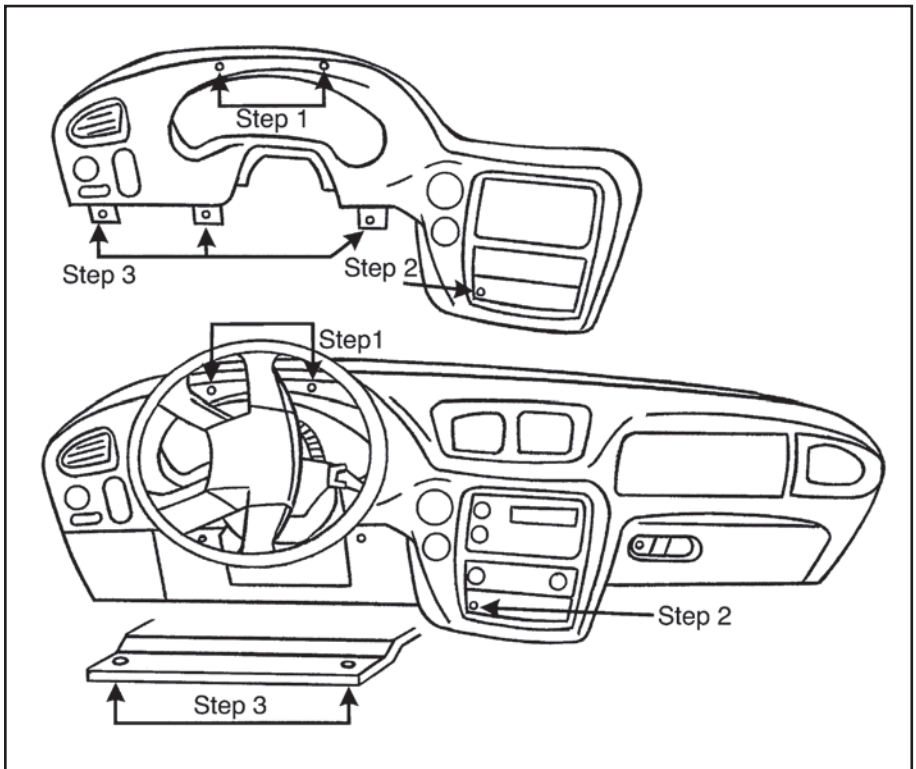
1. Unclip the trim panel above the pedals.
(It is NOT necessary to remove the panel it may be left hanging).
2. Remove (2) 9/32" screws from the knee panel and unclip the panel.
3. Unsnap the driver's side fuse panel cover and remove (1) 9/32" screw.
4. Open the glove box and remove (1) 9/32" screw from the upper left corner.
5. Remove (3) 9/32" screws securing the factory radio and disconnect the wiring.

Continue to kit assembly



Chevrolet Trailblazer 2002-2009

1. Remove (2) Phillips screws inside instrument cluster.
2. Remove (1) Phillips screw under climate controls to the left of the power outlet.
3. Remove (2) 7 mm hex heads from under steering column and lower the panel. Remove (3) Phillips screws around steering wheel.
4. Unsnap and remove bezel. (*Use caution pulling over hazard switch.*) Remove (3) 7 mm hex head screws to remove radio. *Continue to kit assembly*



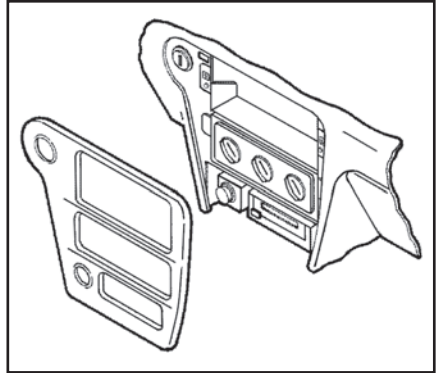


Dash Disassembly 99-2001, AW-200GM

Chevrolet Venture 2000 **Oldsmobile Silhouette 2000** **Pontiac Montana 2000** (Except SV6)

1. Remove the ashtray and (1) phillips screw exposed in the ashtray cavity.
2. Remove (1) Phillips screw from the cigarette lighter compartment.
3. Remove (2) Phillips screws securing the factory head unit and disconnect the wiring.

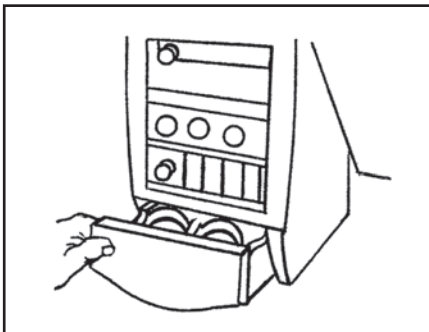
Continue to kit assembly



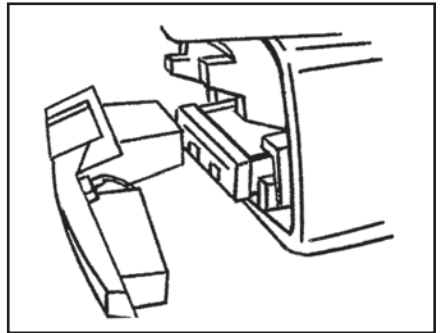
Chevrolet Venture 2001-2005 Oldsmobile Silhouette 2001-2004 Pontiac Montana 2001-2005 (Except SV6)

1. Open cup holders and remove (2) Phillips 7 mm screws. (Figure A)
2. Unsnap and remove dual power outlet assembly from lower storage.
3. Open lower storage door and remove (2) 7mm screws inside.
4. Models with DVD - Remove DVD player and remove (2) 7 mm screws from behind and (2) 7 mm screws near the floor.
5. Remove lower storage compartment. (Figure B)
6. Remove (2) 7 mm screws (facing up) from under cup holder. (Figure C)
7. Remove (3) 7 mm hex-head screws and remove radio. (Figure D)

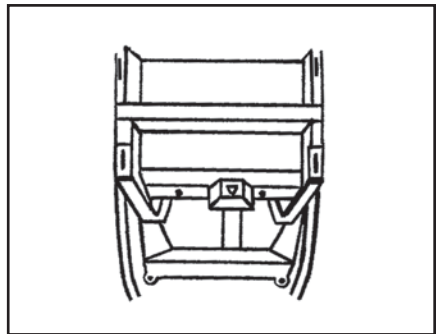
Continue to kit assembly



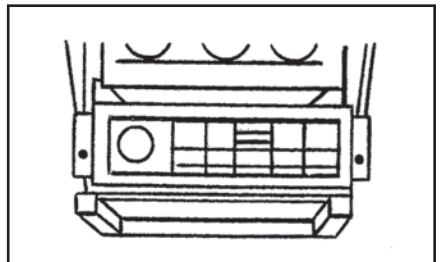
(Figure A)



(Figure B)



(Figure C)

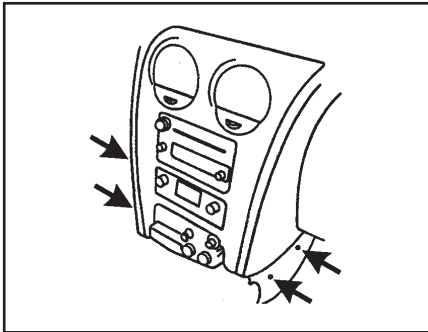


(Figure D)

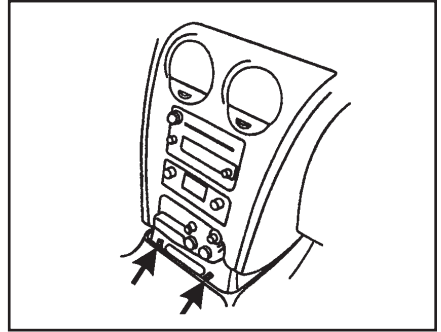
**GMC Envoy 2002-2007
Isuzu Ascender 2003-2005
Oldsmobile Bravada 2002-2004
Buick Ranier 2004-2007**

1. Remove (4) Phillips screws, (2) from left and (2) from right of carpeted panel. (Figure A)
2. Slide carpeted panel down and backwards to reveal (2) Phillips screws and remove. (Figure B)
3. Unsnap radio bezel and unplug cigarette lighter and accessories. (Figure C)
4. Remove (3) screws and remove radio. (Figure C)

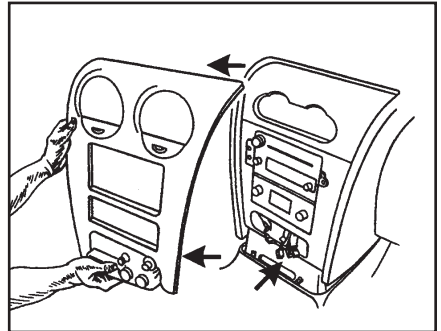
Continue to kit assembly



(Figure A)



(Figure B)

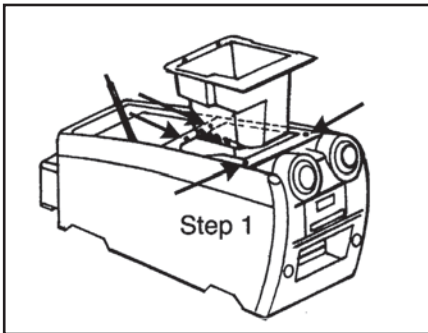


(Figure C)

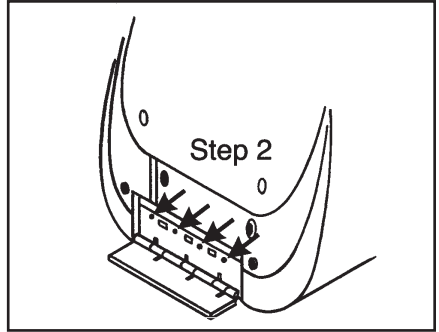
Hummer H2 2003-2007

1. Open center console and remove (4) 9/32" screws from console box and remove box. (Figure A)
2. Remove (4) phillips screws from hinge on console door inside console and remove door. (Figure B)
3. Loosen (1) T-15 torx on forward facing side of shift lever and pull up to remove (Figure C)
4. Unclip cup holder/shifter trim assembly and remove. (Figure D)
5. Remove (6) Phillips screws from top of center console.
6. Remove (2) Phillips screws from inside pocket on back of center console, then unclip and remove.

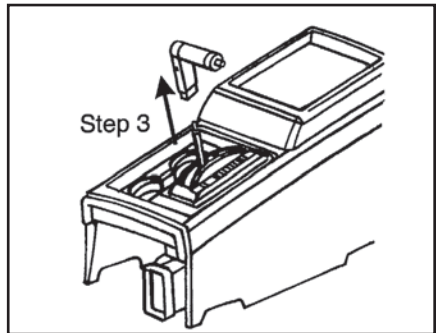
Continued on next page



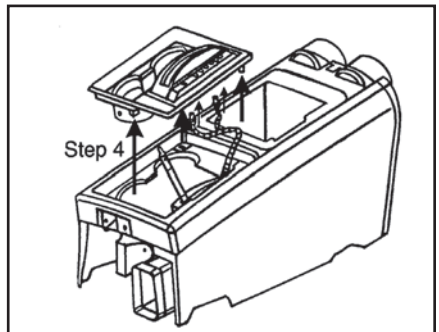
(Figure A)



(Figure B)



(Figure C)

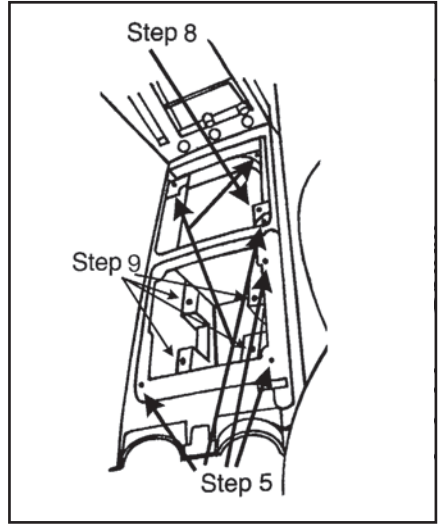


(Figure D)

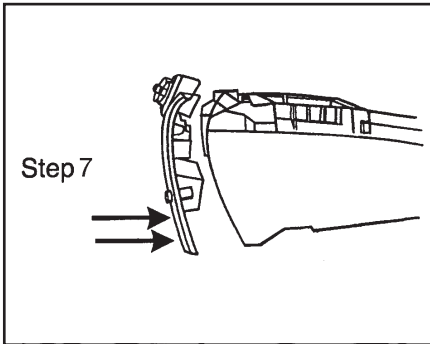
Hummer H2 2003-2007

7. Remove (1) 10 mm bolt to right of shift lever. (Figure A)
8. Remove (2) Phillips screws from under console box on drivers side and (2) Phillips screws from under console trintop on passenger side. (Figure A)
9. Slide control assembly rearwards. (Figure B)
10. Remove (2) T-30 torx bolts from top of rado/climate control trim and unclip and remove. (Figure C)
11. Remove (3) 9/32" screws that hold the radio in. (Figure C)

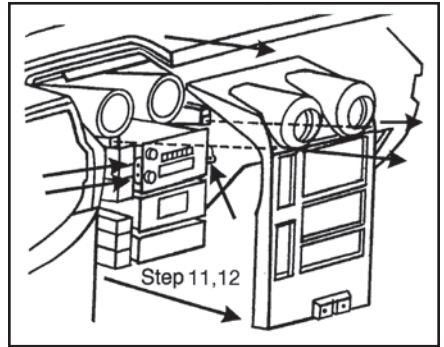
Continue to kit assembly



(Figure B)



(Figure A)

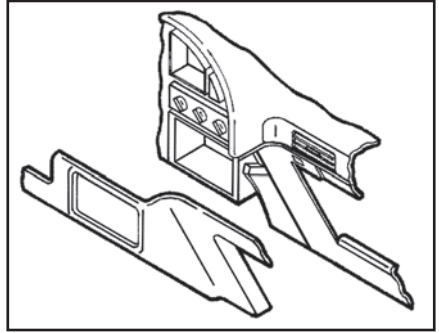


(Figure C)

Oldsmobile Achieva 1996-1998

1. Open the glove box, press inward on the walls of the glove box liner and remove the liner.
2. Remove (10) torx-head screws from the glove box location.
3. Remove (2) 9/32" hex-head screws under the steering column.
4. Unclip the dash trim bezel.
5. Remove the screws securing the factory head unit and disconnect the wiring.

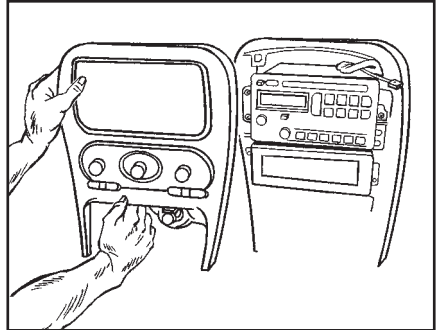
Continue to kit assembly



Oldsmobile Alero 1999-2004

1. Remove shift knob by using a small screwdriver to remove U-clip from front of shifter and pull upward.
2. Unclip and remove shifter trim panel.
3. Unclip and remove radio and climate control panel by pulling from bottom.
4. Remove (3) 9/32" screws from radio and remove.

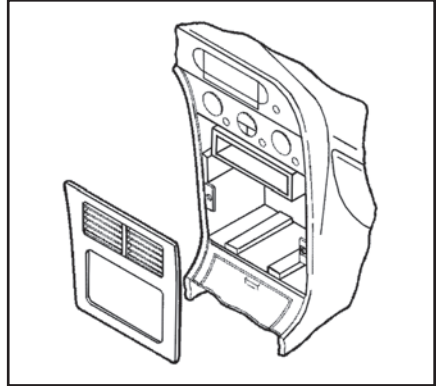
Continue to kit assembly



Oldsmobile Aurora 1995-2003

1. Unclip the radio trim bezel and remove the bezel.
2. Remove (2) 7 mm screws securing the factory head unit and disconnect the wiring.

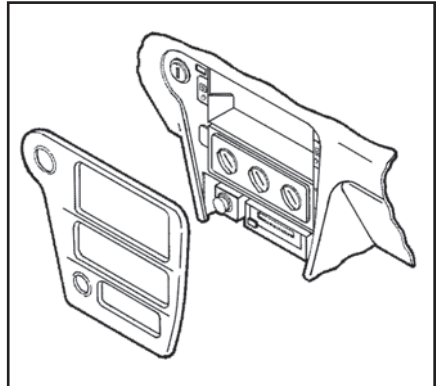
Continue to kit assembly



Oldsmobile Cutlass 1997-1999 Oldsmobile Cutlass Supreme 1995-1997

1. Unclip the radio trim bezel and remove.
2. Remove (2) 9/32" hex-head screws securing the factory head unit and disconnect the wiring.

Continue to kit assembly



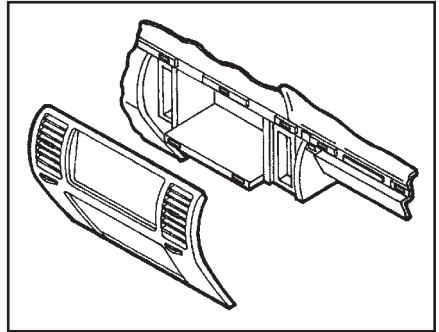
Oldsmobile Eighty-Eight 1994-1999

1. Unclip the radio trim bezel and remove.
2. Remove (2) 9/32" hex-head screws securing the factory head unit and disconnect the wiring.

Continue to kit assembly

Oldsmobile Ninety-Eight 1994-1996

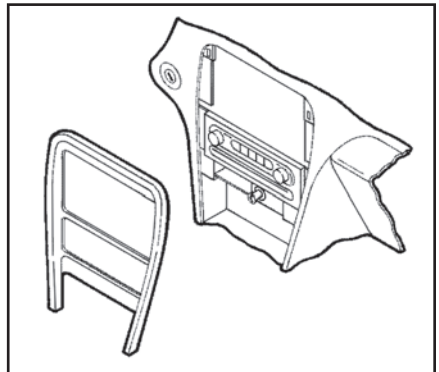
1. Open the glove box and remove (2) hex-head screws securing the wood trim.
2. Unsnap the wood trim and remove.
3. Remove (2) hex-head screws below the radio trim bezel.
4. Lift up on the bezel and remove.
5. Remove (3) Phillips hex-head screws securing the factory head unit and disconnect the wiring.



Continue to kit assembly

Oldsmobile Intrigue 1998-2002

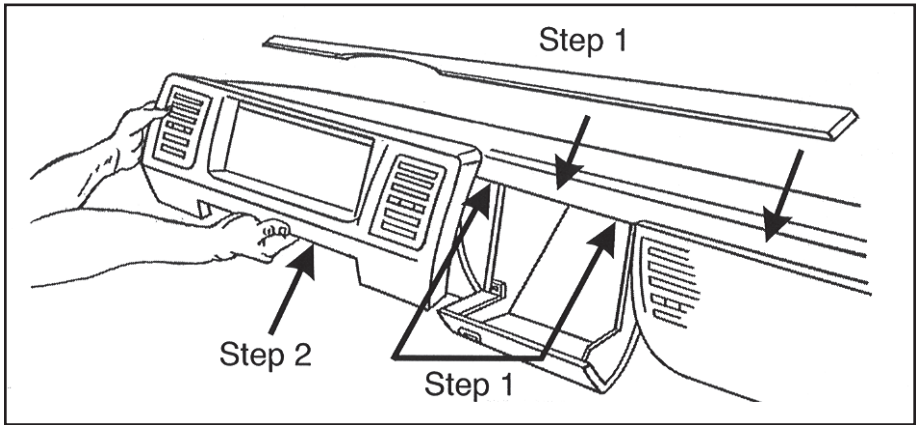
1. Open the center console storage compartment and remove (2) 9/32" hex-head screws exposed.
2. Remove the center console.
3. Unclip the radio trim bezel and remove.
4. Remove (2) 9/32" hex-head screws securing the factory head unit and disconnect the wiring.



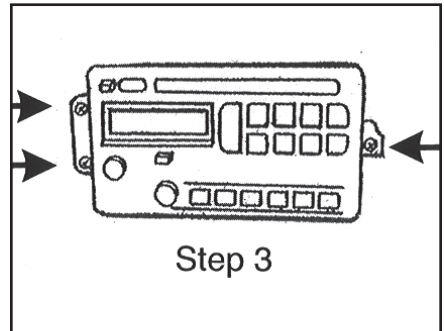
Continue to kit assembly

Oldsmobile LSS 1996-1999 Oldsmobile Regency 1997-1998

1. Open glove box and remove two-center trim bezels attached by screws. (Figure A)
2. Unsnap and remove radio trim bezel. (Figure A)
3. Remove (3) 9/32" hex-head screws and remove radio. (Figure B)
Continue to kit assembly



(Figure A)

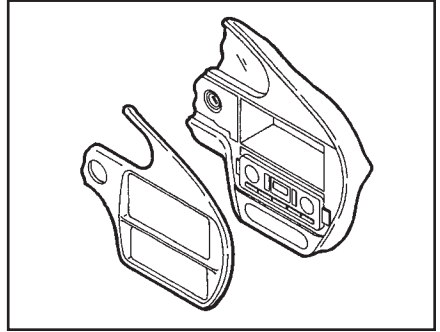


(Figure B)

Pontiac Aztec 2001-2005

1. Pull out cup holder inserts.
2. Remove (1) Phillips screw exposed inside bottom cup holder.
3. Unsnap and remove shifter trim with cup holders.
4. Remove (2) #15 torx at bottom of radio/ climate bezel.

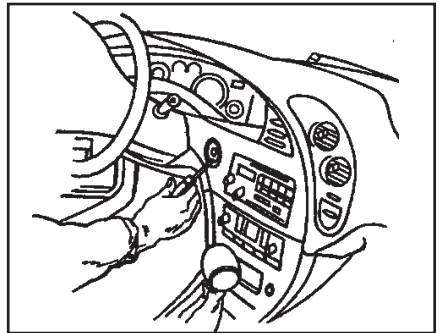
Continue to kit assembly



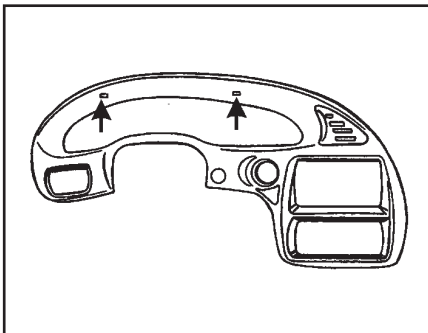
Pontiac Bonneville 2000-2005

1. Remove (2) Phillips screws from the instrument cluster. (Figure A)
2. Unclip the ignition trim and remove. (Figure B)
3. Unclip the climate control/radio trim bezel and remove.
4. Depress the spring clips on each side of the factory head unit and remove. (Figure C)

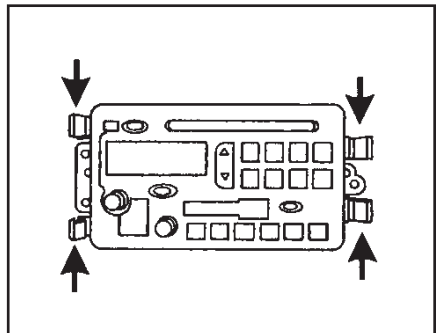
Continue to kit assembly



(Figure B)



(Figure A)

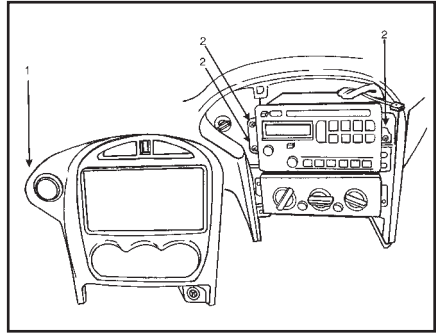


(Figure C)

Pontiac Grand Am 2001-2005

1. Unsnap and remove radio trim bezel.
2. Remove (3) 9/32" screws from radio brackets and remove radio.

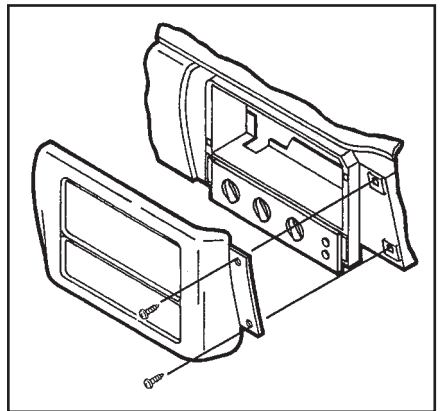
Continue to kit assembly



Pontiac Sunfire 2000-2005

1. Open the glove box and remove (2) Phillips screws exposed on the right edge of the radio trim bezel.
2. Unclip the bezel and remove.
3. Remove (2) 7 mm hex-head screws securing the factory head unit and disconnect the wiring.

Continue to kit assembly





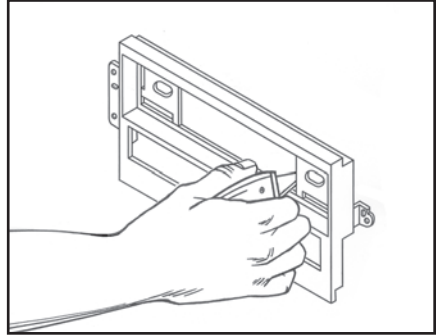
Kit Assembly 99-2001, AW-200GM

All vehicles – DIN head unit provisions

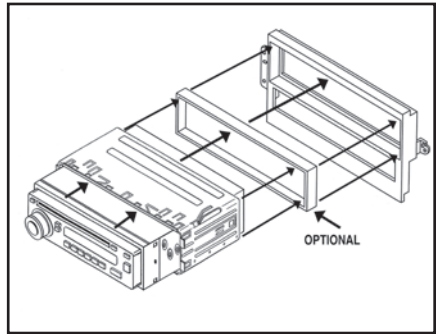
1. Locate the factory wiring harness in the dash. Metra recommends using the proper mating adapter from Metra or AXCESS. Re-connect the negative battery terminal and test the unit for proper operation.

Note:When installing a DIN head unit you will need to cut and remove the shaft supports in the radio housing. (Figure A)

2. Slide DIN cage into the Radio Housing and secure by bending metal locking tabs outward. (Figure B)
3. Slide radio into DIN cage. (Figure B)
4. Reassemble dash in reverse order of disassembly.



(Figure A)



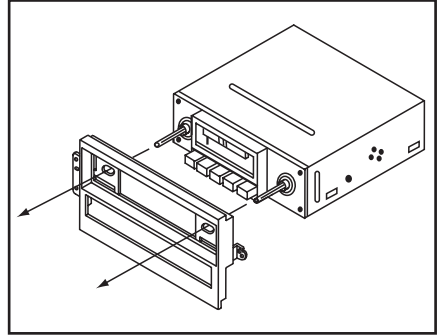
(Figure B)



Kit Assembly 99-2001, AW-200GM

All vehicles - Shaft head unit provisions

1. Locate the factory wiring harness in the dash. Metra recommends using the proper mating adapter from Metra or AXCESS. Re-connect the negative battery terminal and test the unit for proper operation.
1. Slide the aftermarket head unit into the kit from the back and secure with the shaft nuts provided with the new head unit.



Note: If an equalizer will be included slide the unit into the back of the radio housing and secure. If an equalizer will NOT be included, snap the equalizer dummy plate into the opening in the radio housing

4. Reassemble dash in reverse order of disassembly.



Notes

Lined area for notes, consisting of 25 horizontal lines.



INSTALLATION INSTRUCTIONS FOR PART 99-2001, AW-2006M

REV. 6/08/11

METRA. THE WORLD'S BEST KITS.™



1-800-221-0932



metraonline.com

© COPYRIGHT 2004-2011 METRA ELECTRONICS CORPORATION

Download from [Www.Somanuals.com](http://www.Somanuals.com). All Manuals Search And Download.

Free Manuals Download Website

<http://myh66.com>

<http://usermanuals.us>

<http://www.somanuals.com>

<http://www.4manuals.cc>

<http://www.manual-lib.com>

<http://www.404manual.com>

<http://www.luxmanual.com>

<http://aubethermostatmanual.com>

Golf course search by state

<http://golfingnear.com>

Email search by domain

<http://emailbydomain.com>

Auto manuals search

<http://auto.somanuals.com>

TV manuals search

<http://tv.somanuals.com>