



## INSTALLATION INSTRUCTIONS FOR PART 99-7951

### APPLICATIONS

See application list inside

# Chevrolet/Suzuki/Pontiac multi-kit 2004 - 2008 95-7951

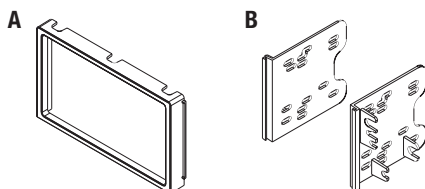
### KIT FEATURES

- Double DIN radio provision
- Stacked ISO units provision



### KIT COMPONENTS

- A) Double DIN Trim Plate
- B) Double DIN Brackets



### WIRING & ANTENNA CONNECTIONS (Sold Separately)

Wiring Harness:

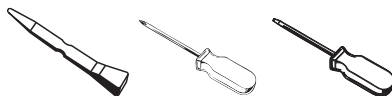
- 70-2105 GM harness 2006-up
- 70-8405 GM/Suzuki/Daewoo harness 1999-up

Antenna Adapter:

- 40-CR10 Chrysler antenna adapter 2002-up

### TOOLS REQUIRED

Panel Removal Tool • Phillips Screwdriver • Small Flat Blade Screwdriver



**METRA. THE WORLD'S BEST KITS.™**



**1-800-221-0932**



**metraonline.com**

© COPYRIGHT 2004-2011 METRA ELECTRONICS CORPORATION

Download from [www.Somanuals.com](http://www.Somanuals.com). All Manuals Search And Download.



95-7951

## Applications

### Chevrolet

Aveo 2004-2006  
Aveo Hatchback 2007-2008

### Suzuki

Forenza 2004-2008  
Reno 2005-2008  
Verona 2004-2006

### Pontiac

G3 Hatchback 2007

## Table of Contents

### Dash Disassembly

– Chevrolet Aveo 2004-2006 .....	3
– Chevrolet Aveo Hatchback 2007-2008 .....	3
– Pontiac G3 Hatchback 2007.....	3
– Suzuki Forenza 2004-2008 .....	4-5
– Suzuki Reno 2005-2008 .....	4-5
– Suzuki Verona 2004-2006 .....	6

### Kit Assembly

– Double DIN radio provision .....	7-8
– Stacked ISO mount units provision .....	9-10

### Caution

**Metra recommends disconnecting the negative battery terminal before beginning any installation. All accessories, switches, and especially air bag indicator lights must be plugged in before reconnecting the battery or cycling the ignition.**

**\*NOTE: Refer also to the instructions included with the aftermarket radio.**



### KNOWLEDGE IS POWER

Enhance your installation and fabrication skills by enrolling in the most recognized and respected mobile electronics school in our industry. Log onto [www.installerinstitute.com](http://www.installerinstitute.com) or call 800-354-6782 for more information and take steps toward a better tomorrow.

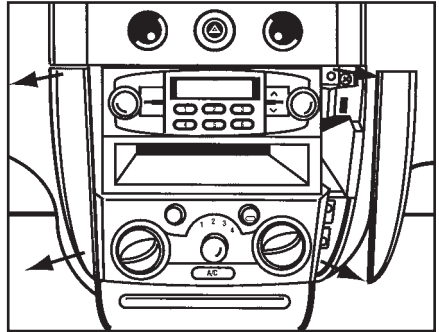


**Metra recommends MECP certified technicians**

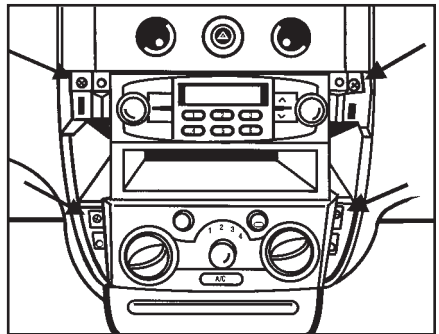
# Chevrolet Aveo 2004-2006 Chevrolet Aveo Hatchback 2007-2008 Pontiac G3 Hatchback 2007

1. Unclip and remove the trim panels from both sides of radio/climate controls. (Figure A)
2. Remove (4) Phillips screws securing the radio. Unplug and remove radio. (Figure B)

*Continue to kit assembly*



(Figure A)

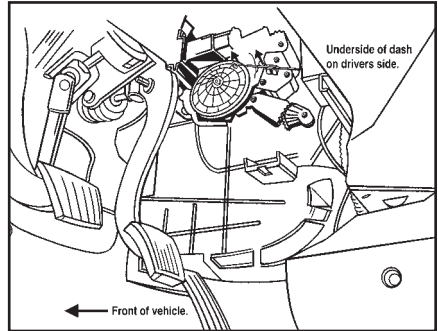


(Figure B)

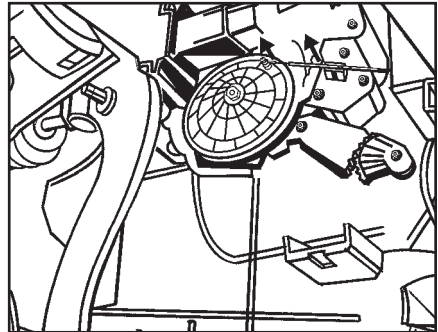
# Suzuki Forenza 2004-2008 Suzuki Reno 2005-2008

1. Disconnect air selector cable on driver's side of center console behind dash above accelerator pedal. (Figure A & B)
2. Open glove box and remove (5) Phillips screws ((3) on top and (2) on bottom) then remove entire glove box.
3. Disconnect temperature selector cable on passenger side of center console behind glove box. (Figure C)

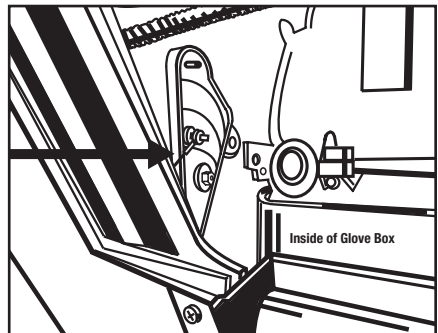
*Continued on next page*



(Figure A)



(Figure B)

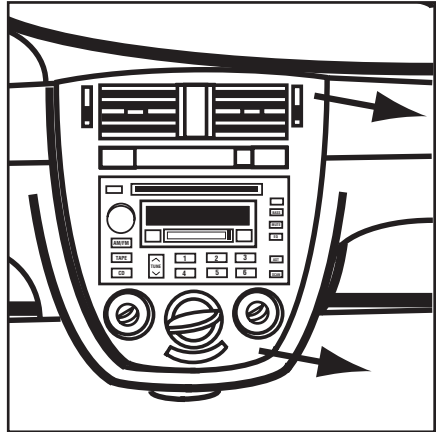


(Figure C)

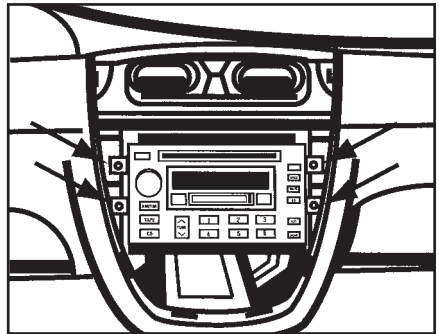
## Suzuki Forenza 2004-2008 Suzuki Reno 2005-2008

4. Unsnap and remove entire panel surrounding radio. **NOTE: The clips holding radio panel to dash are very strong.** (Figure D)
5. Remove (4) 10 mm bolts securing radio. Unplug and remove radio. (Figure E)

*Continue to kit assembly*



(Figure D)

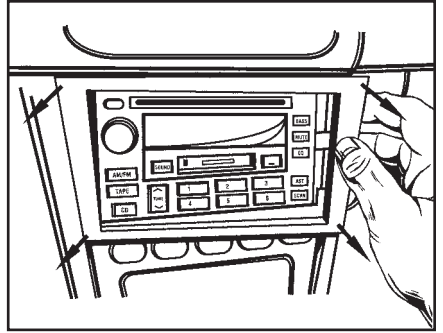


(Figure E)

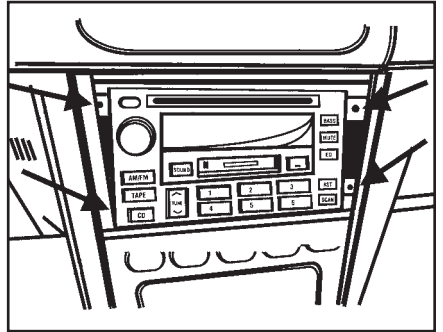
## Suzuki Verona 2004-2006

1. Unclip and remove the trim panel surrounding the radio. (Figure A)
2. Remove (4) Phillips screws from radio. Unplug and remove radio. (Figure B)

*Continue to kit assembly*



(Figure A)



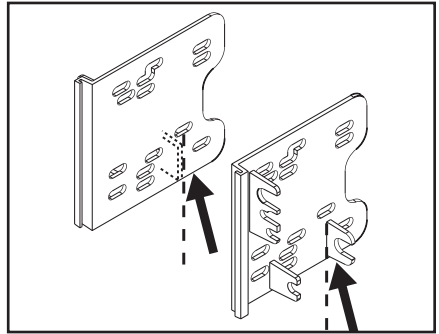
(Figure B)

## Double DIN radio provision

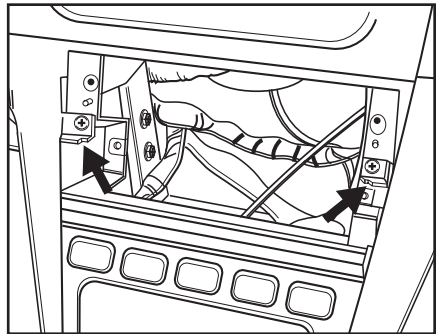
**NOTE:** For the Chevrolet Aveo 2004-06, Chevrolet Aveo Hatchback 2007-08, Pontiac G3 Hatchback 2007 and Suzuki Verona 2004-06, cut and remove front lower mounting tabs from the Double DIN trim plate (Figure A). For the Suzuki Forenza 2004-08 and the Suzuki Reno 2005-08, cut the rear lower mounting tabs (Figure B).

**NOTE:** The Verona 2004-2006 sub dash will need to be trimmed slightly for proper fit. Refer to illustration. (Figures C and D)

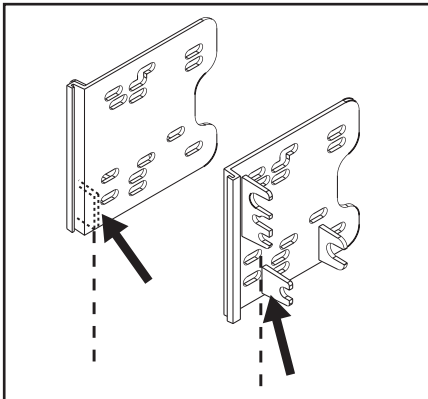
Continued on next page



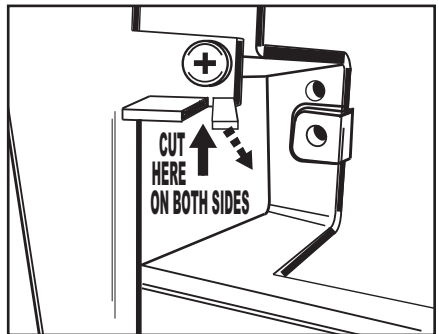
(Figure B)



(Figure C)



(Figure A)



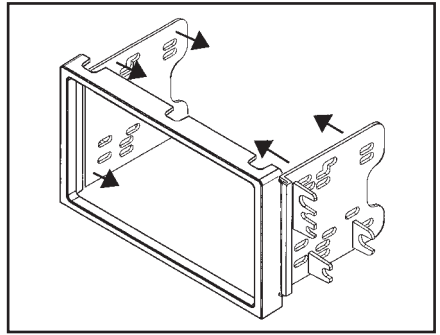
(Figure D)



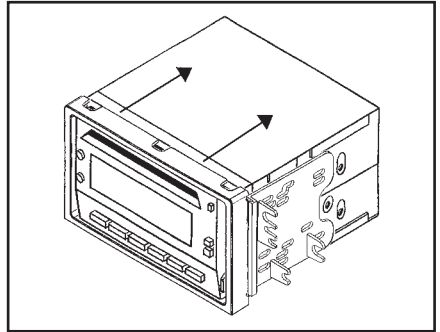
## Kit Assembly 95-7951

### Double DIN radio provision

1. Locate the factory wiring harness in the dash. Metra recommends using the proper mating adapter from Metra or AXXESS. Re-connect the negative battery terminal and test the unit for proper operation.
2. Snap the Double DIN brackets to the outside edge of the Double DIN trim plate. (Figure E)
3. Slide the Double DIN radio into the bracket/trim plate assembly and secure the radio to the assembly using the screws supplied with the radio. (Figure F)
4. Reassemble dash in reverse order of disassembly.



(Figure E)



(Figure F)

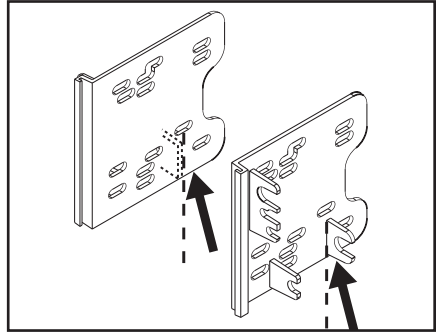


## Stacked ISO mount units provision

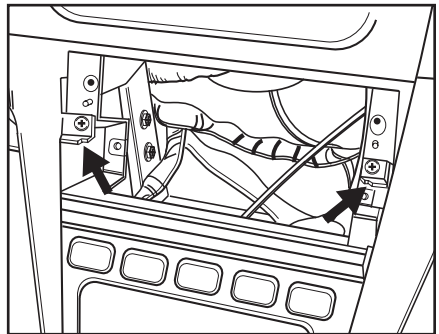
**NOTE:** For the Chevrolet Aveo 2004-06, Chevrolet Aveo Hatchback 2007-08, Pontiac G3 Hatchback 2007 and Suzuki Verona 2004-06, cut and remove front lower mounting tabs from the Double DIN trim plate (Figure A). For the Suzuki Forenza 2004-08 and the Suzuki Reno 2005-08, cut the rear lower mounting tabs (Figure B).

**NOTE:** The Verona 2004-2006 sub dash will need to be trimmed slightly for proper fit. Refer to illustration. (Figures C and D)

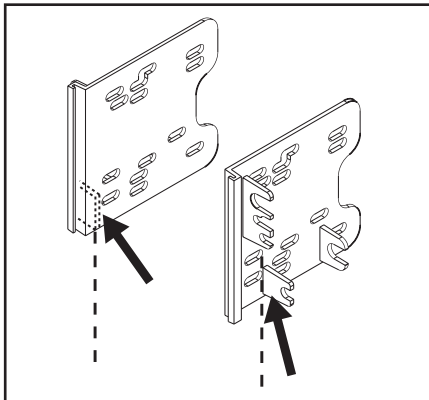
Continued on next page



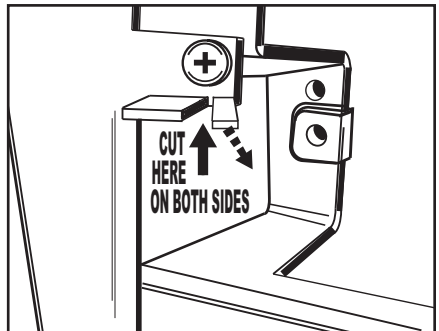
(Figure B)



(Figure C)



(Figure A)



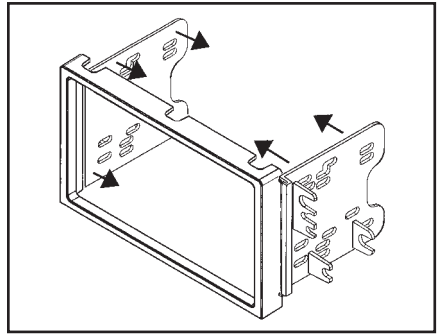
(Figure D)



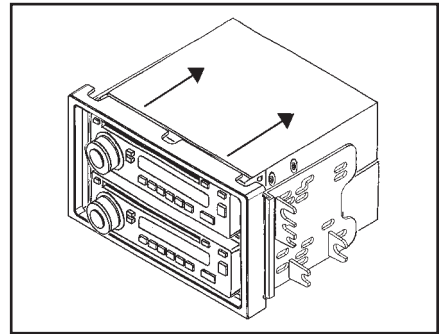
## Kit Assembly 95-7951

### Stacked ISO mount units provision

1. Locate the factory wiring harness in the dash. Metra recommends using the proper mating adapter from Metra or AXXESS. Re-connect the negative battery terminal and test the unit for proper operation.
2. Snap the Double DIN brackets to the outside edge of the Double DIN trim plate. (Figure E)
3. Slide the stacked ISO units into the bracket/trim plate assembly and secure the units to the assembly using the screws supplied with the units. (Figure F)
4. Reassemble dash in reverse order of disassembly.



(Figure E)



(Figure F)





## INSTALLATION INSTRUCTIONS FOR PART 99-7951

REV. 5/25/11

**METRA. THE WORLD'S BEST KITS.™**



**1-800-221-0932**



**metraonline.com**

© COPYRIGHT 2004-2011 METRA ELECTRONICS CORPORATION

Download from [www.Somanuals.com](http://www.Somanuals.com). All Manuals Search And Download.

## Free Manuals Download Website

<http://myh66.com>

<http://usermanuals.us>

<http://www.somanuals.com>

<http://www.4manuals.cc>

<http://www.manual-lib.com>

<http://www.404manual.com>

<http://www.luxmanual.com>

<http://aubethermostatmanual.com>

Golf course search by state

<http://golfingnear.com>

Email search by domain

<http://emailbydomain.com>

Auto manuals search

<http://auto.somanuals.com>

TV manuals search

<http://tv.somanuals.com>