



INSTALLATION INSTRUCTIONS FOR PART 99-8156

APPLICATIONS

LEXUS LS SERIES

1990-1994

99-8156

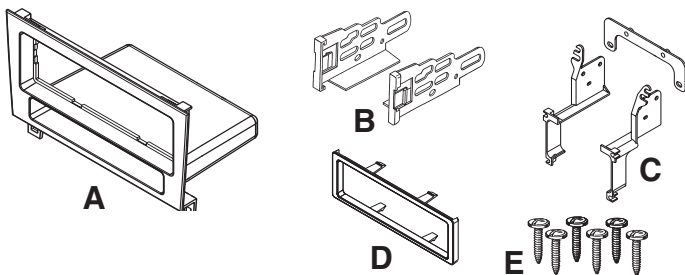
KIT FEATURES

- DIN Mount Radio Provision with Pocket
- ISO Mount Radio Provision with Pocket



KIT COMPONENTS

- A) Radio Housing
- B) ISO Brackets
- C) Radio Housing Brackets
- D) Trim Plate
- E) (6) #8 Phillips Screws



TOOLS REQUIRED:

- Small Flat Blade Screwdriver/ Panel Removal Tool
- Phillips Screwdriver
- Socket Set



1-800-221-0932



www.metraonline.com

© COPYRIGHT 2007 METRA ELECTRONICS CORPORATION



TABLE OF CONTENTS

Dash Disassembly

- Lexus LS Series 1990-19941

Kit Preparation2

Kit Assembly

- DIN Mount Radio Provision with Pocket3

- ISO Mount Radio Provision with Pocket4

Final Assembly5

***Note:**

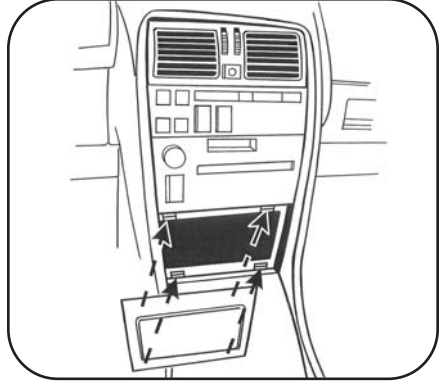
Refer also to the instructions included with the aftermarket radio.

LEXUS LS SERIES 1990-1994

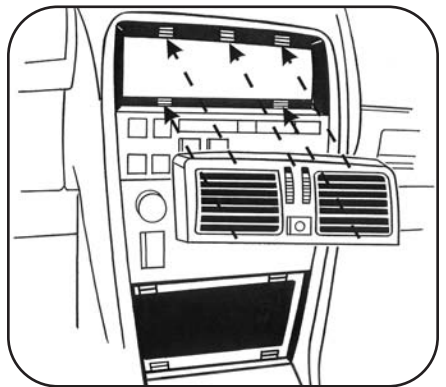
- 1 Disconnect the negative battery terminal to prevent an accidental short circuit.
- 2 Carefully pry out and remove ashtray assembly below radio. (Figure A)
- 3 Using a panel removal tool or small flat blade screwdriver gently pry out on the top of the A/C vent assembly and remove. (Figure B)
- 4 Remove (4) screws securing the factory radio/climate control assembly. Unplug and remove assembly. (Figure C)
- 5 Remove (4) screws securing the climate controls to the assembly and remove the climate controls from the assembly. (Retain the screws and climate controls for re-use during kit assembly).

Continue to kit preparation.

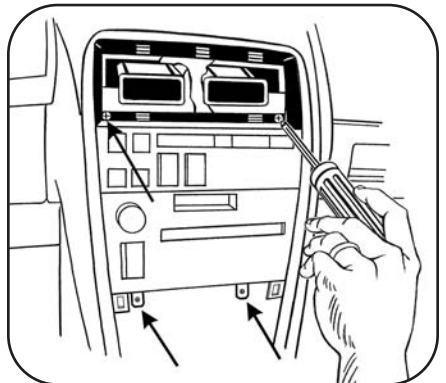
A



B



C

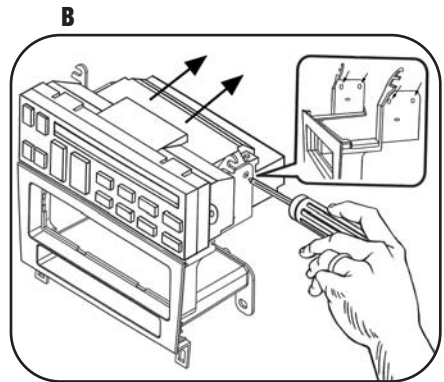
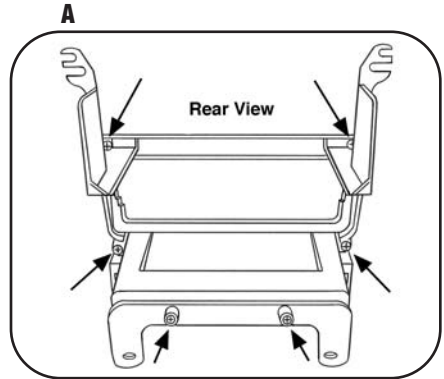


LEXUS LS SERIES 1990-1994
DIN MOUNT RADIO PROVISION WITH POCKET
ISO MOUNT RADIO PROVISION WITH POCKET

Note: Refer also to the instructions included with the aftermarket radio.

- 1 Attach the corresponding radio housing bracket to the radio housing using the included Phillips screws. (Figure A)
- 2 Slide the factory climate control into the assembled radio housing brackets/radio housing assembly and secure with the factory hardware. (Figure B)

Continue to kit assembly.

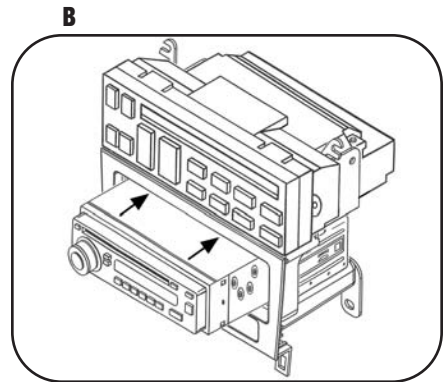
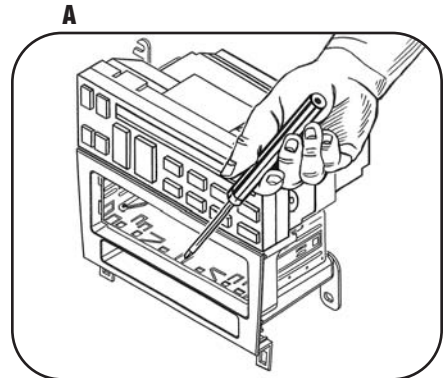


LEXUS LS SERIES 1990-1994 **DIN MOUNT RADIO PROVISION WITH POCKET**

Note: Refer also to the instructions included with the aftermarket radio.

- 1** Slide the DIN cage into the Radio Housing and secure by bending the metal locking tabs down. (Figure A)
- 2** Slide the aftermarket radio into the cage until it snaps in place. (Figure B)

Continue to final assembly.

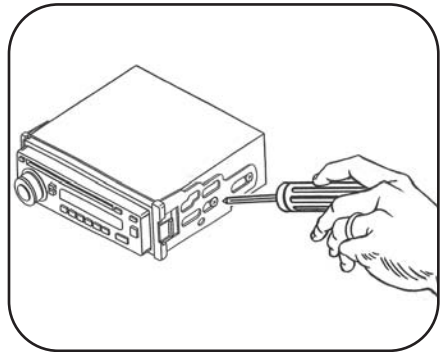
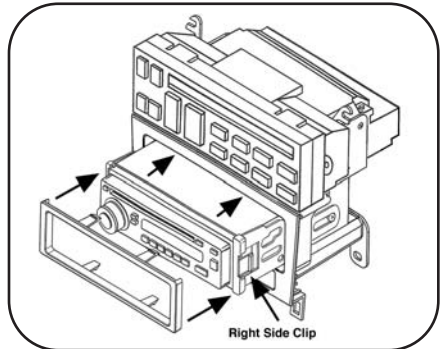


LEXUS LS SERIES 1990-1994 **ISO MOUNT RADIO PROVISION WITH POCKET**

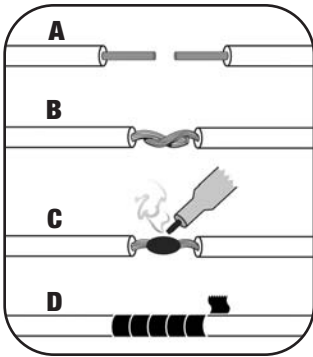
Note: Refer also to the instructions included with the aftermarket radio.

- 1** Mount the ISO Brackets to the radio using the screws supplied with the radio. (Figure A)
- 2** Slide the radio into the radio housing until the side clips engage. (Figure B)
- 3** Snap the Trim plate onto the front of the Radio Housing. (Figure B)

Continue to final assembly.

A**B**

FINAL ASSEMBLY



- (A) Strip wire ends back 1/2"**
- (B) Twist ends together**
- (C) Solder**
- (D) Tape**

- 1** Locate the factory wiring harness in the dash. Metra recommends using the proper mating adapter and making connections as shown. (Isolate and individually tape off the ends of any unused wires to prevent electrical short circuit.)
- 2** Re-connect the negative battery terminal and test the unit for proper operation.
- 3** Reassemble radio and dash assemblies in reverse order of disassembly.

FINAL WIRING CONNECTIONS

Make wiring connections using the EIA color code chart shown below and the instructions included with the head unit. Metra recommends making connections as shown below; Strip, Splice, Solder, Tape. Isolate and individually tape off ends of any unused wires to prevent electrical short circuit.

METRA / EIA WIRING CODE

12V Ignition / Acc.	Red	Right Front (+)	Gray
12V Batt / Memory.	Yellow	Right Front (-).	Gray/ Black
Ground.	Black*	Left Front (+)	White
Power Antenna.	Blue	Left Front (-).	White / Black
Amp Turn-On	Blue / White	Right Rear (+)	Violet
Amp Ground.	Black / White	Right Rear (-).	Violet / Black
Illumination	Orange	Left Rear (+)	Green
Dimmer	Orange / White	Left Rear (-).	Green / Black

***NOTE:** When a Black wire is not present, ground radio to vehicle chassis.
All colors may not be present on all leads due to manufacturer's specifications.

99-8156 INSTRUCTIONS



1-800-221-0932



www.metraonline.com

REV. 12/05/07 © COPYRIGHT 2007 METRA ELECTRONICS CORPORATION INST99-8156

Free Manuals Download Website

<http://myh66.com>

<http://usermanuals.us>

<http://www.somanuals.com>

<http://www.4manuals.cc>

<http://www.manual-lib.com>

<http://www.404manual.com>

<http://www.luxmanual.com>

<http://aubethermostatmanual.com>

Golf course search by state

<http://golfingnear.com>

Email search by domain

<http://emailbydomain.com>

Auto manuals search

<http://auto.somanuals.com>

TV manuals search

<http://tv.somanuals.com>