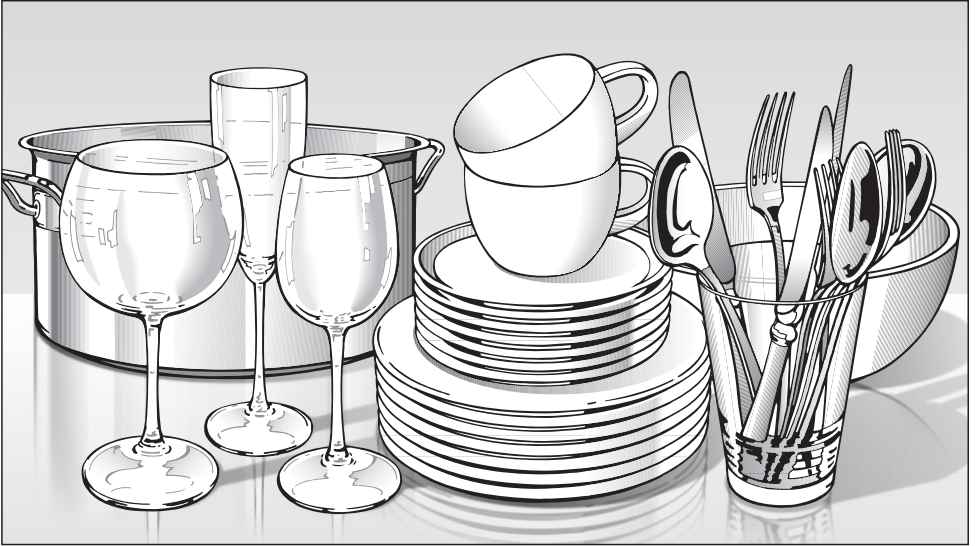


Operating instructions



for dishwashers

To avoid the risk of accidents or damage to the appliance, it is **essential** to read these instructions as well as the installation plan before it is installed and used for the first time.

en - GB

M.-Nr. 09 276 780

Contents

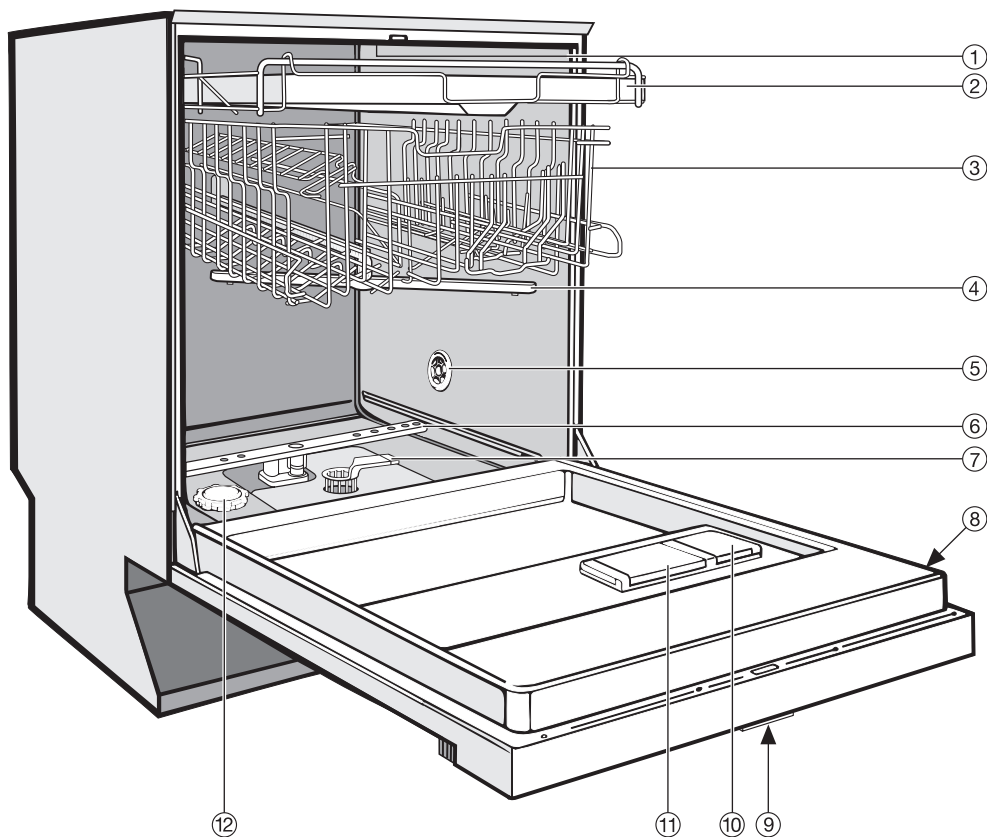
Guide to the appliance	5
Appliance overview	5
Control panel	6
Warning and Safety instructions	7
Caring for our environment	12
Disposal of the packing material	12
Disposal of your old appliance	12
Energy saving dishwashing	13
Before using for the first time	14
To open the door	14
To close the door	14
Safety lock	14
Water softener	15
Programming the water hardness level	16
To call up the water hardness level in the display	17
Before using the appliance for the first time, you require:	18
Filling the salt reservoir	18
Salt indicator	19
Switching off the refill indicators	20
Rinse aid	21
Adding rinse aid	21
Rinse aid indicator	22
Setting the rinse aid dosage	23
Loading the dishwasher	24
Items not suitable for dishwashers:	25
Upper basket	26
Hinged spikes (depending on model)	26
Hinged cup rack	26
Jumbo cup rack (depending on model)	27
Support rail (depending on model)	27
Adjusting the upper basket	28
Lower basket	29
MultiComfort area	30
Hinged spikes (depending on model)	30

Cutlery	31
3D cutlery tray (depending on model)	31
Cutlery basket (depending on model)	32
Operation	33
Detergent	33
Adding detergent	34
Switching on	35
Selecting a programme	35
Starting the programme	35
Display	36
Standby	36
Programme sequence indicators	37
At the end of the programme	37
Switching off	37
Unloading the dishwasher	37
Interrupting a programme	38
Changing a programme	38
Additional functions	39
Turbo	39
DetergentAgent	39
Delay start	40
Adjust Sensor wash	42
Memory	43
Optimise standby	44
Factory default	45
Cleaning and care	46
Cleaning the wash cabinet	46
Cleaning the door and the door seal	46
Cleaning the door front	47
Cleaning the filters in the wash cabinet	48
Cleaning the spray arms	50
Problem solving guide	51
Technical problems	51
Water inlet/drain fault	53
General problems	54
Noises	55
Unsatisfactory washing result	56

Contents

Maintenance	59
Cleaning the water inlet filter	59
Cleaning the drain pump and non-return valve	60
After sales service	61
Repairs	61
Guarantee	61
Future updates	61
For testing institutes	61
Programme chart	62
Optional accessories	66
Electrical connection	67
Plumbing	68
The Miele waterproof anti-leak system	68
Connection to the water supply	68
Drainage	69
Technical data	70

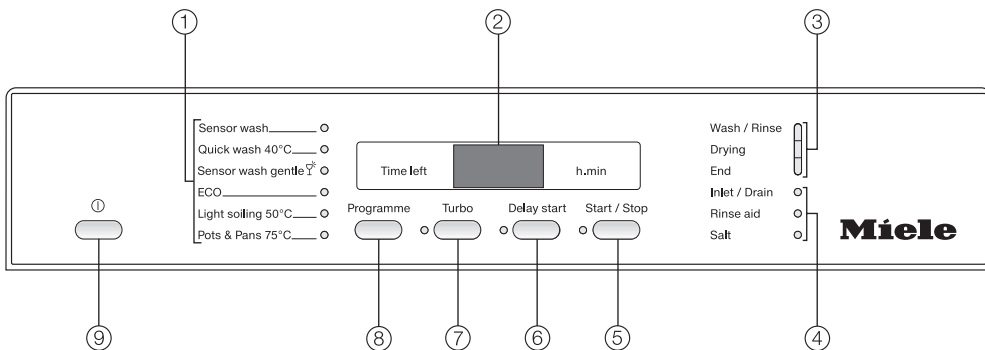
Appliance overview



- | | |
|--|---|
| ① Upper spray arm (not visible) | ⑦ Filter combination |
| ② Cutlery tray (depending on model) | ⑧ Data plate |
| ③ Upper basket | ⑨ Safety lock in door grip (not visible) |
| ④ Middle spray arm | ⑩ Rinse aid reservoir |
| ⑤ Air inlet for drying
(depending on model) | ⑪ Dual compartment detergent
dispenser |
| ⑥ Lower spray arm | ⑫ Salt reservoir |

Guide to the appliance

Control panel



- ① Programmes
- ② Time display
- ③ Programme sequence indicators
- ④ Check/Refill indicators
- ⑤ Start/Stop button with indicator light
- ⑥ Delay start button with indicator light
- ⑦ Turbo button with indicator light
- ⑧ Programme selector button
- ⑨ On/Off button ①

This instruction book applies to several different dishwasher models.

The specific dishwasher models are referred to as follows:

- Standard = 80.5 cm high dishwashers (integrated)
and 84.5 cm high dishwashers (freestanding)
- XXL = 84.5 cm high dishwashers

Warning and Safety instructions

This appliance conforms to current safety requirements. Inappropriate use can, however, lead to personal injury and damage to property. To avoid the risk of accidents and damage to the appliance, please read these instructions carefully before using it for the first time. They contain important information on its safety, use and maintenance. Keep these instructions in a safe place and pass them on to any future owner.

Correct application

► This dishwasher is not designed for commercial use. It is intended for use in domestic households and in similar working and residential environments such as:

- Shops
- Offices and showrooms

and by residents in establishments such as:

- Hostels and guest houses.

► The dishwasher is not intended for outdoor use.

► It must only be used as a domestic appliance as specified in these operating instructions, for cleaning domestic crockery and cutlery. Any other usage is not supported by the manufacturer and could be dangerous. Miele cannot be held liable for damage resulting from incorrect or improper use or operation.

► The appliance can only be used by people with reduced physical, sensory or mental capabilities, or lack of experience and knowledge, if they are supervised whilst using it, or have been shown how to use it in a safe way and understand the hazards involved.

Safety with children

► This appliance is not a toy! To avoid the risk of injury, keep children well away and do not allow them to play in or around the dishwasher or to use the controls. They will not understand the potential dangers posed by it. They should be supervised whenever you are working in the kitchen. There is also a danger that children playing might shut themselves in the dishwasher.

► Older children may only use the dishwasher when its operation has been clearly explained to them and they are able to use it safely, recognising the dangers of misuse.

Warning and Safety instructions

► Keep children away from detergents. Dishwasher detergents contain irritant and corrosive ingredients which can cause burning in the mouth, nose and throat if swallowed, or inhibit breathing. Keep children away from the dishwasher when the door is open. There could still be detergent residues in the cabinet. Consult a doctor immediately if your child has swallowed or inhaled detergent.

Technical safety

► Before setting up the appliance, check it for any externally visible damage. Under no circumstances should you use a damaged appliance. It could be dangerous.

► The dishwasher must only be plugged into the electricity supply via a suitable switched socket. The electrical socket must be easily accessible after the dishwasher has been installed so that it can be disconnected from the electricity supply at any time. (See "Electrical connection").

► There must be no electrical sockets behind the dishwasher. Danger of overheating and fire risk if the dishwasher were to be pushed up against a plug.

► The dishwasher must not be installed under a hob. The high radiant temperatures which are sometimes generated by a hob could damage the dishwasher. For the same reason it should not be installed next to open fires or other appliances which give off heat, such as heaters etc.

► Do not connect the dishwasher to the mains supply until it has been fully installed and any adjustment has been made to the door springs.

► Before connecting the appliance, check that the connection data on the data plate (voltage and frequency) match the mains electricity supply. If in any doubt, consult a qualified electrician.

► The electrical safety of this appliance can only be guaranteed if correctly earthed. It is most important that this basic safety requirement is observed and regularly tested and where there is any doubt the electrical system in the house should be checked by a qualified electrician.

The manufacturer cannot be held liable for the consequences of an inadequate earthing system (e.g. electric shock).

► Do not connect the appliance to the mains electricity supply by a multi-socket adapter or an extension lead. These do not guarantee the required safety of the appliance (e.g. danger of overheating).

Warning and Safety instructions

- ▶ The appliance must not be used in a non-stationary location (e.g. on a ship).
 - ▶ Do not install the dishwasher in a room where there is a risk of frost. Frozen hoses may burst or split. The reliability of the electronic control unit may be impaired at temperatures below freezing point.
 - ▶ The plastic housing of the water connection contains an electrical component. The housing must not be submerged in water.
 - ▶ There are electrical wires in the water inlet hose. Never cut the water inlet hose, even if it is too long.
 - ▶ The integrated Waterproof System offers protection from water damage, provided the following conditions are met:
 - The dishwasher is correctly installed and plumbed in.
 - The dishwasher is properly maintained and parts are replaced where it can be seen that this is necessary.
 - The stopcock has been turned off when the appliance is not used for a longer period of time (e.g. during holidays).
- The Waterproof system will work even if the appliance is switched off. However, the appliance must remain connected to the electricity supply.
- ▶ A damaged appliance could be dangerous. If the dishwasher gets damaged, switch it off at the mains and call your Miele Dealer or the Miele Service Department.
 - ▶ Unauthorised repairs could result in unforeseen dangers for the user, for which Miele cannot accept liability. Repairs should only be undertaken by a Miele approved service technician.
 - ▶ Faulty components must only be replaced by genuine Miele original spare parts. Only when these parts are fitted can the safety standards of the appliance be guaranteed.
 - ▶ Always disconnect the dishwasher from the electrical supply for maintenance work (switch off at the wall socket and remove the plug).
 - ▶ If the connection cable is damaged it must be replaced with a special cable available from Miele. For safety reasons this must only be fitted by the Miele Service Department or a Miele authorised service technician.
 - ▶ In areas which may be subject to infestation by cockroaches or other vermin, pay particular attention to keeping the appliance and its surroundings in a clean condition at all times. Any damage which may be caused by cockroaches or other vermin will not be covered by the guarantee.

Warning and Safety instructions

Installation

- ▶ The dishwasher must be installed and connected in compliance with the diagram supplied.
- ▶ The dishwasher must be correctly aligned to ensure problem-free operation.
- ▶ In order to ensure stability, built-under and integrated dishwashers must only be installed under a continuous worktop which is secured to adjacent cabinetry.
- ▶ If you want to convert your freestanding dishwasher to a built-under ("U") model, you will need to order the appropriate conversion kit. If you remove the existing plinth, you must replace it with a U-model plinth. This is necessary to avoid the risk of injury caused by protruding metal parts.
- ▶ The door springs must be adjusted equally on both sides. They are correctly adjusted when the door remains stationary when left open at 45°. It is important that the door is held in place by the springs and cannot fall open.

Correct use

- ▶ Do not use solvents in the dishwasher. Danger of explosion.
- ▶ Do not inhale or ingest dishwasher detergent. Dishwasher detergents contain irritant or corrosive ingredients which can cause burning in the nose, mouth and throat if swallowed, or inhibit breathing. Consult a doctor immediately if detergent has been swallowed or inhaled.
- ▶ Avoid leaving the door open unnecessarily, as you could trip over it.
- ▶ Dishes can be very hot at the end of the programme. Allow them to cool until they are comfortable enough to handle before unloading.
- ▶ Do not sit or lean on the opened door. This could cause the dishwasher to tip and be damaged, and you could get injured.
- ▶ Only use detergent and rinse aid formulated for domestic dishwashers. Do not use washing-up liquid.
- ▶ Do not use commercial or industrial detergents as these may cause damage, and there is a risk of severe chemical reaction.
- ▶ Do not fill the rinse aid reservoir with powder or liquid detergent. This will cause serious damage to the reservoir.

Warning and Safety instructions

▶ Inadvertently filling the salt reservoir with powder or liquid dishwasher detergent will damage the water softener. Make sure you have picked up the correct packet of dishwasher salt before filling the salt reservoir!

▶ Only use special coarse grained dishwasher salt for reactivation, as other salts may contain insoluble additives which can impair the functioning of the water softener.

▶ In an appliance with a cutlery basket (depending on model) cutlery is cleaned and dried more efficiently if placed in the basket with the handles downwards. However, to avoid the risk of injury, place knives and forks etc. with the handles upwards.

▶ Plastic items which cannot withstand being washed in hot water, such as disposable plastic containers, or plastic cutlery and crockery should not be cleaned in the dishwasher. The high temperatures in the dishwasher may cause them to melt or lose shape.

▶ On models with "Delay start", make sure that the dispenser is dry before adding detergent. Wipe dry if necessary. Detergent will clog if poured into a damp dispenser and may not be thoroughly dispersed.

Accessories

▶ Only use genuine Miele original spare parts and accessories with this appliance. Using spare parts or accessories from other manufacturers will invalidate the guarantee, and Miele cannot accept liability.

Disposal of your old dishwasher

▶ Make the door lock inoperative so that children cannot accidentally shut themselves in. Make appropriate arrangements for the disposal of the appliance.

The manufacturer cannot be held liable for damage caused by non-compliance with these Warning and Safety instructions.

Caring for our environment

Disposal of the packing material

The transport and protective packing has been selected from materials which are environmentally friendly for disposal and should be recycled.

Ensure that any plastic wrappings, bags, etc. are disposed of safely and kept out of the reach of babies and young children. Danger of suffocation.

The packaging consists of the following materials:

Outer packaging:

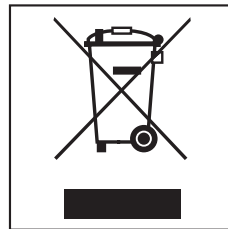
- Corrugated cardboard made from up to 100% recyclable material:
or: Polyethylene (PE) shrink wrap
- Polypropylene (PP) strapping

Inner packaging:

- Chlorine and fluorine free expanded polystyrene (EPS)
- Base, lid frame and support battens made from untreated natural wood from renewable forests
- Polyethylene (PE) protective wrap

Disposal of your old appliance

Electrical and electronic appliances often contain materials which, if handled or disposed of incorrectly, could be potentially hazardous to human health and to the environment. They are, however, essential for the correct functioning of your appliance. Please do not therefore dispose of it with your household waste.



Please dispose of it at your local community waste collection / recycling centre or contact your dealer for advice.

Ensure that it presents no danger to children while being stored for disposal.

To enable sorting by type of plastic for recycling, all plastic parts of the appliance are labelled with international standard symbols.

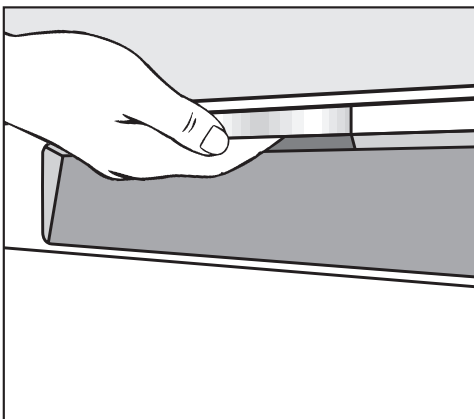
Energy saving dishwashing

This dishwasher is exceptionally economical in its use of water and electricity. You can make the most of your appliance by following these tips:

- If your water supply is suitable, this dishwasher can be connected to a hot water supply for further economies. If the water is heated by solar panels, for example, this would be energy efficient. However, if your water is heated by electricity we would recommend connection to cold water.
- For most economical dishwashing make full use of the baskets without overloading the dishwasher.
- Choose the programme to suit the type of crockery being washed and the degree of soiling.
- Select the ECO programme for energy-saving dishwashing. This programme is the most efficient in terms of its combined energy and water consumption at cleaning normally soiled crockery.
- Follow the detergent manufacturer's recommendations on detergent dosage.
- When using powder or liquid detergent you can use $\frac{1}{3}$ less detergent if baskets are only half full.

Before using for the first time

To open the door



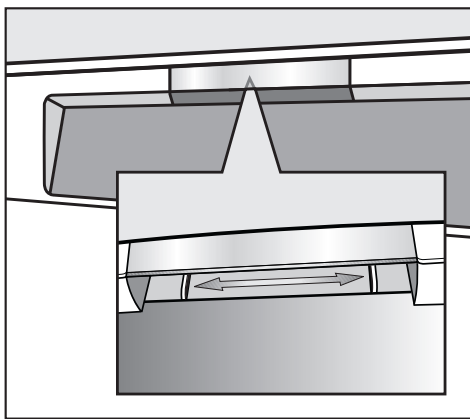
- Reach under the handle and pull the door open.

If the door is opened during operation all functions are automatically interrupted.

To close the door

- Push the baskets right in.
- Then raise the door up, and push until it clicks into position.

Safety lock



Use the safety lock to prevent children opening the dishwasher door.

- To lock the door, push the slide underneath the door grip to the right.
- To unlock the door, push the slide to the left.

Water softener

In order to achieve good cleaning results, the dishwasher needs to operate with soft water. Hard water results in the build-up of calcium deposits on crockery and in the dishwasher.

Mains water with a hardness level higher than 0.7 mmol/l (4 °d – German scale) needs to be softened. This takes place automatically in the integrated water softener. The water softener in this dishwasher is suitable for a water hardness level of up to 12.6 mmol/l (70 °d - German scale).

- The water softener requires dishwasher salt. Depending on the water hardness level (≤ 3.8 mmol/l, or 21 °d), dishwasher salt is not required if combination tablets are being used (see "Detergent").
- The dishwasher must be programmed for the water hardness in your area.
- Your local water authority will be able to advise you of the water hardness level in your area.

Where the water hardness fluctuates e.g. between 6.7 - 9.0 mmol/l (37 - 50 °d) always programme the dishwasher to the higher value (9.0 mmol/l in this example).

In the event of a fault, it will help the service technician if you know the hardness of your local water supply.

- Enter the water hardness below:

_____ mmol/l or °d

The dishwasher is programmed at the factory for a water hardness level of 2.7 mmol/l (15 °d - German scale).

If this setting corresponds to the hardness of your water, you do not need to do anything more.

If your water is harder or softer, you will need to programme the water hardness level. See following section.

Before using for the first time

Programming the water hardness level

Each time a button is pressed, one of the indicator lights will flash and light up in the control panel. However, only the indicator lights mentioned in the following programming process stages are significant.

The programming procedure can be cancelled at any time by pressing the On/Off button ①. The procedure can then be started from the beginning again.

- Switch the dishwasher off with the On/Off button ①, if it is switched on.
- Press the Start/Stop button in and **whilst holding it in** switch the dishwasher on using the On/Off button ①.
Keep the Start/Stop button pressed in until the Start/Stop indicator light comes on.

If this does not happen, start the procedure from the beginning again.

- Press the Delay start button twice.

The Delay start indicator will flash briefly twice at intervals.

The characters "P 1 5" will flash one after the other in the display. This means that the water hardness level has been set at 15 °d (2.7 mmol/l) (factory setting).

The value which has been set for the water hardness is shown as a figure after the "P" in the display (see chart).

- Use the Start/Stop button to select the value which equates to your water hardness level.
Each press on the button moves you up a level. When the highest water hardness level is reached, the setting starts from the beginning again.
- Switch the dishwasher off using the On/Off button ①.

Before using for the first time

To call up the water hardness level in the display

°d	mmol/l	°f	Value displayed
1	0.2	2	1
2	0.4	4	2
3	0.5	5	3
4	0.7	7	4
5	0.9	9	5
6	1.1	11	6
7	1.3	13	7
8	1.4	14	8
9	1.6	16	9
10	1.8	18	10
11	2.0	20	11
12	2.2	22	12
13	2.3	23	13
14	2.5	25	14
15	2.7	27	15
16	2.9	29	16
17	3.1	31	17
18	3.2	32	18
19	3.4	34	19
20	3.6	36	20
21	3.8	38	21
22	4.0	40	22
23	4.1	41	23
24	4.3	43	24
25	4.5	45	25
26	4.7	47	26
27	4.9	49	27
28	5.0	50	28
29	5.2	52	29
30	5.4	54	30
31	5.6	56	31
32	5.8	58	32
33	5.9	59	33
34	6.1	61	34
35	6.3	63	35
36	6.5	65	36
37-50	6.7-9.0	67-89	50
51-60	9.2-10.8	91-108	60
61-70	11.0-12.6	110-126	70

- Switch the dishwasher off using the On/Off button ①.

- Press the Start/Stop button in and **whilst holding it in** switch the dishwasher on using the On/Off button ①.
Keep the Start/Stop button pressed in until the Start/Stop indicator light comes on.

- Press the Delay start button twice.

The Delay start indicator will flash briefly twice at intervals.

Characters will flash in sequence in the display.

The number after the "P" is the value for the water hardness level which has been set (see chart).

- Switch the dishwasher off using the On/Off button ①.

Before using for the first time

Before using the appliance for the first time, you require:

- approx. 2 litres of water,
- approx. 2 kg dishwasher salt*,
- domestic dishwasher detergent*,
- rinse aid* formulated for domestic dishwashers.

* See "Optional accessories".


Every dishwasher is tested at the factory.


There will be residual water in the appliance from this test. It is not an indication that it has been used previously.

Filling the salt reservoir

If the water in your area is very soft and constantly **lower than 0.7 mmol/l (4 °d)** you do not need to add dishwasher salt. The water softener must, however, still be programmed to correspond to the water hardness level in your area.

Important: Before filling the salt reservoir with dishwasher salt for the **first time**, you must fill it with approx. 2 litres of water to enable the salt to dissolve. Once the dishwasher has been used, there is always sufficient water in the reservoir.

 Inadvertently filling the salt reservoir with powder or liquid dishwasher detergent will damage the water softener. Make sure you have picked up the correct packet of dishwasher salt before filling the salt reservoir!

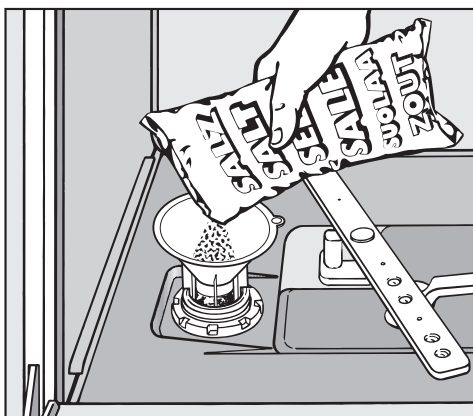
 Please only use special coarse grained dishwasher salt for reactivation, as other salts may contain insoluble additives which can impair the functioning of the softener.

Before using for the first time

- Remove the lower basket and unscrew the salt reservoir cap.

Water or saline solution will run out of the reservoir when the cap is removed. It should therefore only be removed in order to refill the salt reservoir.

- Fill the reservoir with approx. 2 litres of water (first use only).



- Place the funnel provided over the salt reservoir and carefully fill with salt until the reservoir is full. The salt reservoir holds approx. 2 kg of salt depending on the brand used.

As the salt reservoir is filled, displaced water will overflow.

- Clean any excess salt from around the reservoir opening and then screw the cap on again **firmly**.
- Run the Quick wash programme immediately without any crockery in the dishwasher to remove any traces of salt from the cabinet (do not use the Turbo function if your dishwasher has this feature).

Salt indicator

- Fill the salt reservoir with dishwasher salt when the salt indicator light comes on. (If it comes on during a programme, wait until the end of the programme).

After the reservoir has been filled, the water softener is automatically reactivated the next time the dishwasher is run. The salt refill indicator may still be illuminated during this process. It will go out once the salt concentration has reached the correct level.



The salt refill indicator will not come on if the dishwasher has been programmed for a water hardness level of less than 0.7 mmol/l (4 °d German scale).

⚠ After filling the the salt reservoir, run the Quick wash programme immediately without any crockery in the dishwasher to remove any traces of salt from the cabinet (do not use the Turbo function if your dishwasher has this feature).

Before using for the first time

Switching off the refill indicators

If you only ever use combination products containing salt and rinse aid in your dishwasher, you can disable both of these indicators off if you wish.

- Switch the dishwasher off using the On/Off  button.
- Press the Start/Stop button in and **whilst holding it in** switch the dishwasher on using the On/Off button .
- Keep the Start/Stop button pressed in until the Start/Stop indicator light comes on.

If this does not happen, start the procedure from the beginning again.

- Press the Delay start button 9 times.


The "Delay start" indicator will flash briefly 9 times at intervals.

The characters flashing in the display will show whether the refill indicators are switched on or off.

- "P I": the refill indicators are switched on.
- "P 0": the refill indicators are switched off.

- If you want to change the setting, press the Start/Stop button.

The setting is now stored in memory.

- Switch the dishwasher off using the On/Off button .


If you switch to using detergent that does not contain salt or rinse aid, it is important to remember to replenish the salt and rinse aid and to switch the refill indicators back on.

Before using for the first time

Rinse aid

Rinse aid is necessary to ensure water does not cling and leave marks on crockery during the drying phase and helps crockery dry faster after it has been washed.

Rinse aid is poured into the storage reservoir and the amount set is dispensed automatically.

 Inadvertently filling the rinse aid reservoir with powder or liquid detergent will always cause serious damage to the reservoir.


Alternatively, it is possible to use

- Household vinegar with a max. 5% acid content

or

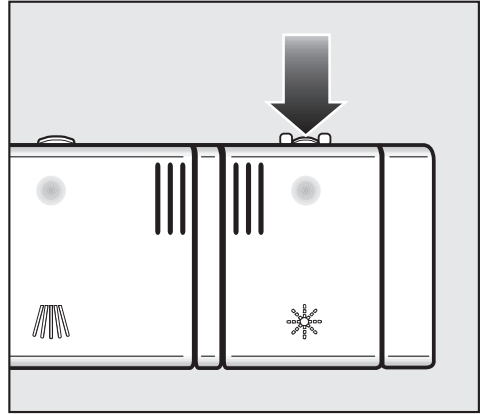
- Liquid citric acid with up to 10% acid content.

The resulting rinsing and drying quality will not, however, be as good as when rinse aid is used.

 Do not use vinegar with a higher acid content (e.g. vinegar essence containing 25% acid). This would damage the dishwasher.

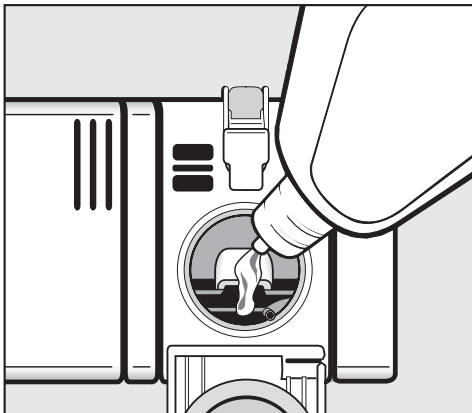
If you only ever use combination products containing rinse aid in your dishwasher, you do not need to add rinse aid.

Adding rinse aid



- Press the button on the lid of the rinse aid reservoir in the direction of the arrow until the flap springs open.

Before using for the first time



Rinse aid indicator

When the light comes on, the reservoir contains sufficient rinse aid for 2 - 3 programmes only.

- Add rinse aid in plenty of time.

If you only ever use combination products containing salt and rinse aid in your dishwasher, you can switch both of the indicators off if you wish (see "Before using for the first time - Switching off the refill indicators").

- Add rinse aid only until it is visible in the opening.

The rinse aid reservoir holds approx. 110 ml.

- Close the flap firmly so that it clicks into place. Otherwise water can enter the rinse aid reservoir during a programme.
- Wipe up any spilled rinse aid. This prevents over-foaming occurring during the next programme.

If you switch to using detergent that does not contain salt or rinse aid, it is important to remember to replenish the salt and rinse aid and to switch the refill indicators back on.

Setting the rinse aid dosage

You can adjust the rinse aid dosage for best results.

The rinse aid dosage can be set from approx. 0-6 ml. It is set to a recommended setting of approx. 3 ml at the factory.

If the Adjust Sensor wash function has been activated, the amount of rinse aid dispensed in the Sensor wash programme can be higher than that set.

If spots appear on crockery and glassware:

- Increase the rinse aid dosage.

If clouding or smearing appears on crockery and glassware:

- Decrease the rinse aid dosage.

- Switch the dishwasher off using the On/Off button ①.

- Press the Start/Stop button in and **whilst holding it in** switch the dishwasher on using the On/Off button ①.

Keep the Start/Stop button pressed in until the Start/Stop indicator light comes on.

If this does not happen, start the procedure from the beginning again.

- Press the Delay start button three times.

The "Delay start" indicator will flash briefly three times at intervals.

P 3 will flash in the display.

This means that the rinse aid dosage has been set to 3 ml at the factory.

The dosage set will show in the display after the *P*.

- Use the Start/Stop button to select the rinse aid dosage you want. The dosage amount alters each time you press the button.

The programmed rinse aid dosage is now stored in memory.


- Switch the dishwasher off using the On/Off button ①.

Loading the dishwasher

Note

Remove coarse food residues from crockery.

There is no need to rinse items under running water.

 Do not wash items soiled with ash, sand, wax, lubricating grease or paint in the dishwasher. These substances will damage the dishwasher.

Crockery can be loaded anywhere in the baskets, but the following notes should be observed:

- Do not place crockery and cutlery inside other pieces where they may be concealed.
 - Load the crockery so that water can access all surfaces. This ensures that they get properly cleaned.
 - Make sure that all items are securely positioned.
 - Hollow items such as cups, glasses, pans, etc. must be inverted in the basket.
 - Tall, narrow, hollow items, e.g. champagne glasses, should be placed in the centre of the basket to ensure better water coverage.
- Wide based items should be placed at an angle so that water can run off them freely.
 - The spray arms must not be blocked by items which are too tall or hang through the baskets. If in doubt, test for free movement by manually rotating the spray arms.
 - Make sure that small items cannot fall through the holders in the baskets. Small items, e.g. lids, should therefore be placed in the cutlery tray or cutlery basket (depending on model).

Some foodstuffs may contain natural dyes, e.g. carrots, tomatoes or ketchup. Plastic items in the dishwasher may discolour if large quantities of these foodstuffs find their way into the appliance on the crockery. The stability of plastic items is not affected by this discolouration.

Items not suitable for dishwashers:

- Wooden cutlery and crockery or items with wooden parts: these may discolour and fade. The glue used in these items is not dishwasher-proof and wooden handles may come loose after being washed in a dishwasher.
- Craft items, antiques, valuable vases and decorative glassware are also not suitable for dishwashers.
- Plastic items which are not heat resistant: the high temperatures in the dishwasher may cause them to melt or lose shape.
- Copper, brass, tin and aluminium items may discolour or become matt.
- Colours painted over a glaze may fade after a number of washes.
- Clouding may occur on glasses after frequent washing. Do not wash delicate glassware, or glassware containing lead crystal in a dishwasher.


We recommend:

- When purchasing new crockery and cutlery, make sure they are dishwasher-proof.
- If delicate glassware is washed in the dishwasher ensure that only very low temperatures are used (see programme chart), or a special glass-care programme is used (depending on model). This will reduce the risk of clouding.
- If in doubt, wash delicate glassware by hand.

Please note


Silverware previously cleaned with a **silver polish** may still be damp or spotted at the end of a programme, where water has not run off smoothly. It may need to be rubbed dry with a soft cloth.

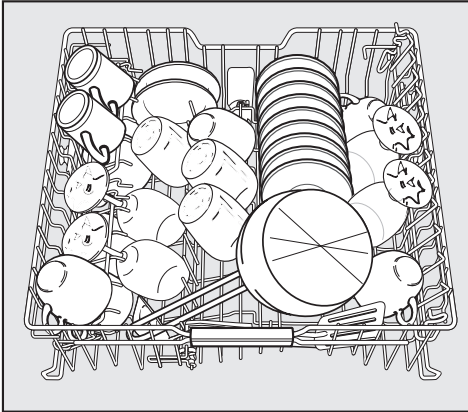
Silver which has been in contact with foods containing sulphur can discolour. These include egg yolk, onions, mayonnaise, mustard, pulses, fish, fish brine and marinades.

 Aluminium components (e.g. grease filters) must not be cleaned with caustic alkaline commercial or industrial cleaning agents. These may damage the material, or in extreme cases, cause a severe chemical reaction. See section "Adding detergent" for information on suitable detergents.

Loading the dishwasher

Upper basket

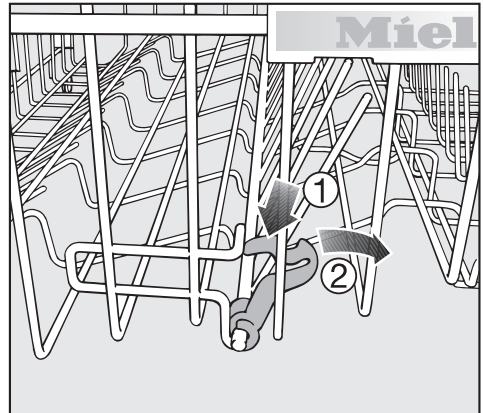
 For safety reasons, do not operate the dishwasher without the upper and lower baskets in place (except when running the **Tall items 65 °C** programme, if available).



- Use the upper basket for small, lightweight and delicate items such as cups, saucers, glasses, dessert bowls, etc. Shallow pans or casserole dishes can also be placed in the upper basket.
- Long items such as soup ladles, mixing spoons and long knives should be placed lying down across the front of the upper basket.

Hinged spikes (depending on model)

The rows of spikes can be lowered to make more room for larger items such as casserole dishes.



- Press the yellow lever downwards ①, and then lower the spikes ②.

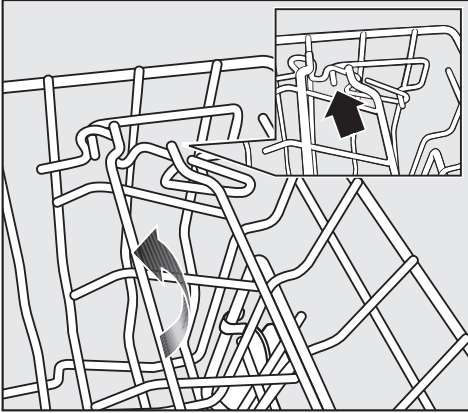
Hinged cup rack

- To make room for tall items, raise the rack upwards.
- Glasses can be arranged along the cup rack to give them some support during the programme.
- Lower the cup rack and lean the glasses against it.

Loading the dishwasher

Jumbo cup rack (depending on model)

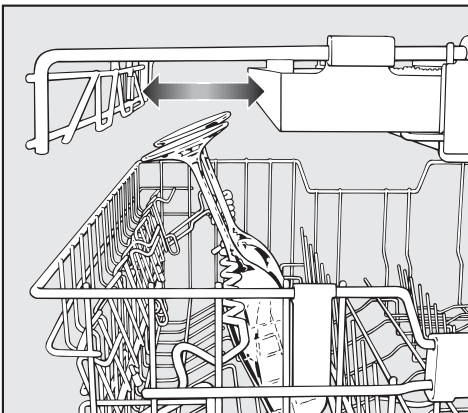
The cup rack can be set at two different widths so that it can also accommodate large cups.



- Pull the cup rack upwards and click it back into position at the required width.

Support rail (depending on model)

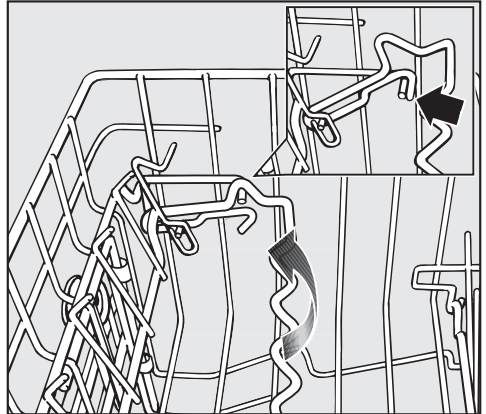
This rail is designed to hold tall glasses and glasses with stems securely.



- Lower the rail and lean tall glasses against it.
- You can also move one of the side inserts of the cutlery tray to make more room for tall glasses.

Adjusting the height

You can set the glass rail at two different heights.



- Pull the rail upwards and click it back into position at the required height.

Use the low setting for small glasses and tumblers.

Use the high setting for tall glasses and glasses with stems.

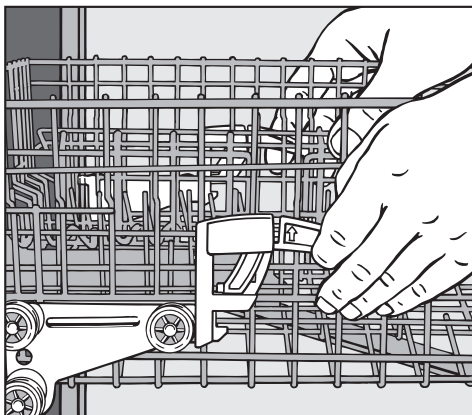
Loading the dishwasher

Adjusting the upper basket

In order to gain more space for taller pieces of crockery in the lower or upper basket, the upper basket can be adjusted on three levels with 2 cm between each level.

The upper basket can also be set at an angle with one side high and the other side low. This can be useful to help prevent water being left in deep dishes etc. Ensure, however, that the basket can slide smoothly in and out of the cabinet. It is better to adjust the basket before loading it.

- Pull out the upper basket.



To adjust the upper basket upwards:

- Lift the basket up until it clicks into place.

To adjust the upper basket downwards:

- Pull upwards on the levers at either side of the upper basket.
- Adjust the basket to the desired height and then push the levers securely back down into position.

Depending on the setting of the upper basket, the following plate dimensions can be accommodated.

Dishwasher with cutlery tray

(see data plate for model number)

Upper basket level	Plate Ø in cm		
	Upper basket		Lower basket
	Standard	XXL	
Top	15	19	31
Middle	17	21	29
Bottom	19	23	27

Dishwasher with cutlery basket

(see data plate for model number)

Upper basket level	Plate Ø in cm		
	Upper basket		Lower basket
	Standard	XXL	
Top	20	24	31
Middle	22	26	29
Bottom	24	28	27

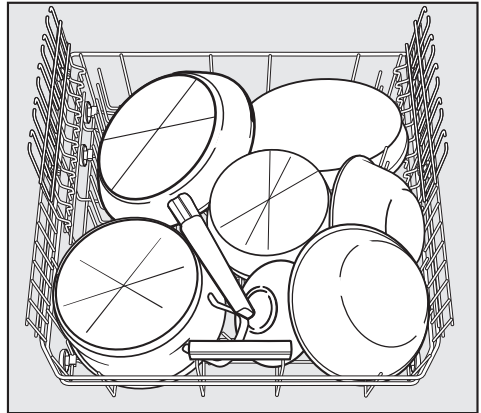
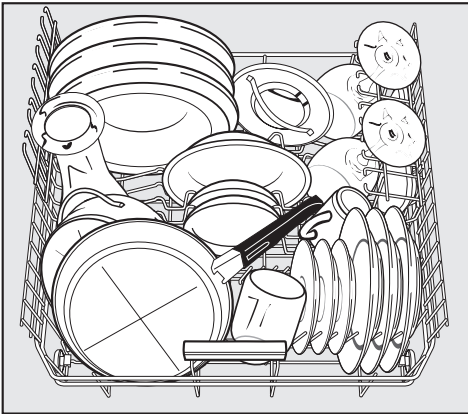
Loading the dishwasher

Lower basket

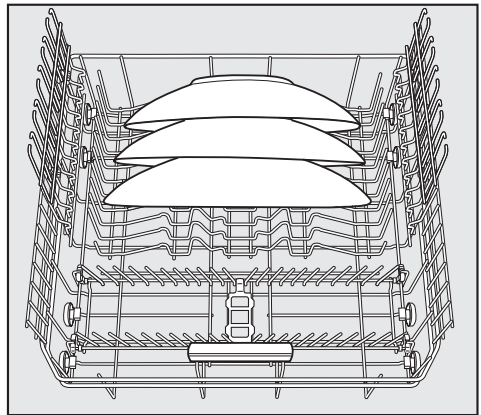
- For larger and heavier items such as plates, serving platters, saucepans, bowls, etc.

Glasses, cups and small items such as saucers can also be placed in the lower basket.

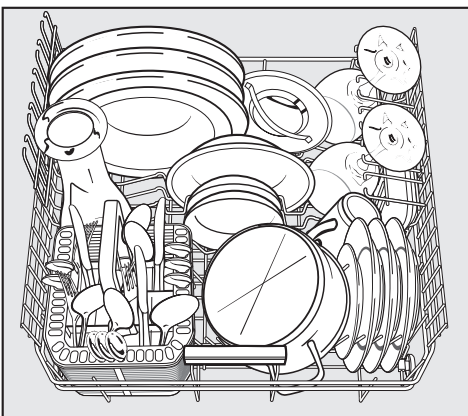
Do not place thin, delicate glassware in the lower basket.



Heavily soiled items



Dishwashers with cutlery tray



- Place large platters and dishes in the centre of the lower basket.

When tilted, plates up to 35 cm in diameter can be accommodated.

Dishwashers with cutlery basket

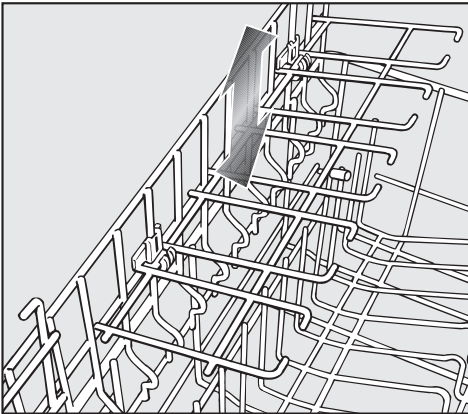
Loading the dishwasher

MultiComfort area

The rear section of the lower basket is used for washing cups, glasses, plates, pots and pans.

- The glass rack can be raised to make more room for tall items.
- Stem glassware, e.g. wine glasses or champagne flutes, can be leaned against the glass rack or suspended from it.

The height of the glass rack is adjustable.

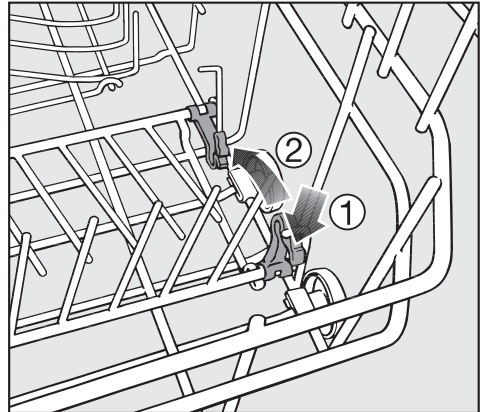


- Slide the glass rack to the desired height until the catches click into place at the top.

Hinged spikes (depending on model)

The spikes at the front are used for washing plates, soup bowls, platters, dessert bowls and saucers.

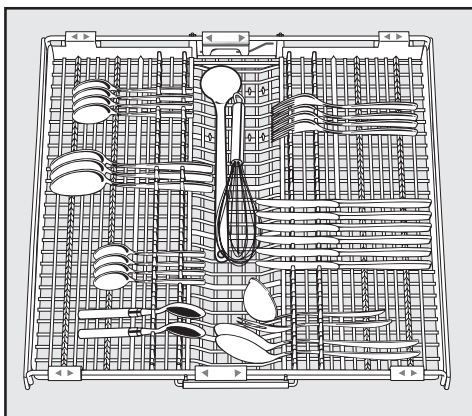
Both rows of spikes can be lowered to make more room for large items, e.g. pots, pans and dishes.



- Press the yellow lever downwards ①, and then lower the spikes ②.

Cutlery

3D cutlery tray (depending on model)



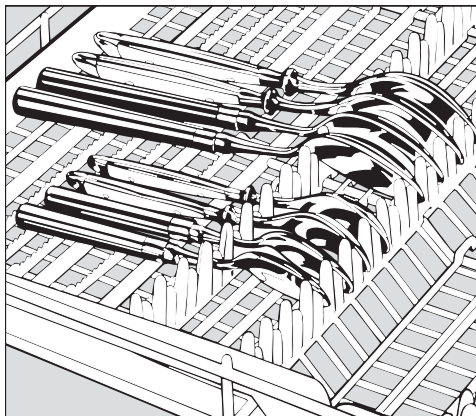
- Arrange the cutlery in the tray as shown.

To make unloading much easier, cutlery should be grouped in zones, one for knives, one for forks, one for spoons, etc.

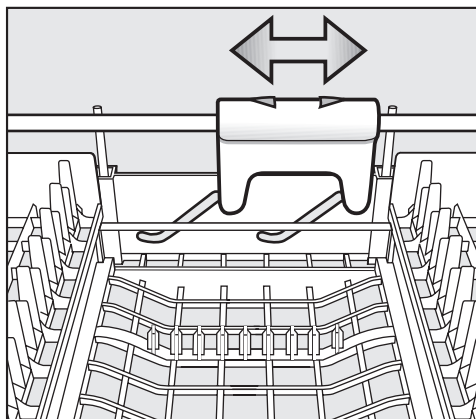
Spoon heads should be placed in contact with at least one of the serrated retainers on the base of the cutlery tray to ensure that water runs off them freely.

The upper spray arm must not be blocked by items which are too big (e.g. cake slices).

The side sections of the tray can be moved into the middle to accommodate tall items of crockery in the upper basket.



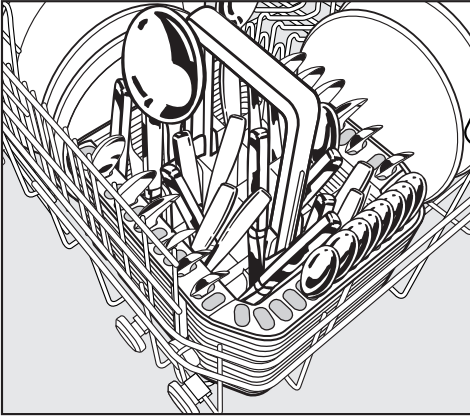
If spoon handles do not fit between the holders, then lay them the other way round.



You can use the yellow slide to adjust the height of the middle section of the cutlery tray to make more room for large items of cutlery, such as serving spoons and ladles.

Loading the dishwasher

Cutlery basket (depending on model)

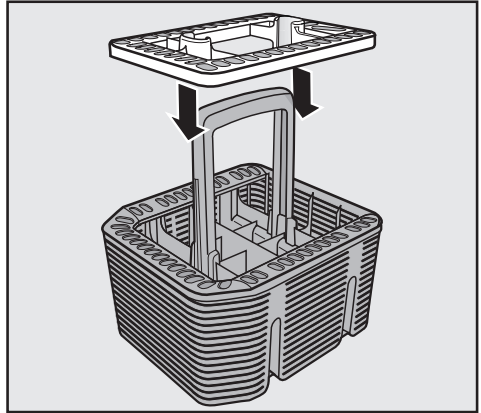


The cutlery basket can be placed anywhere on the front rows of spikes in the lower basket.

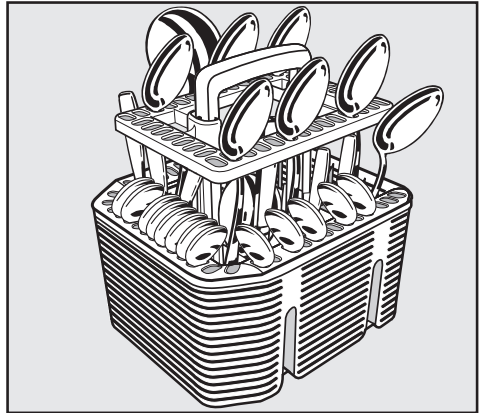
- To avoid the risk of injury, knives and forks should be placed with the handles upwards in the basket. However, cutlery placed handle down in the basket will come out cleaner and drier.
- Place small items of cutlery in the individual slots on three sides of the cutlery basket.

Cutlery insert for the cutlery basket

Use the insert supplied for heavily soiled items of cutlery. The insert separates the items so that they can be more easily accessed by water.




- Fit it onto the cutlery basket if required.



- Insert cutlery with the handles facing downwards, and distribute them evenly along the insert.

Detergent

 Only use detergents formulated for domestic dishwashers. Do not use washing-up liquid.

Active ingredients

Modern detergents contain various active ingredients, the most important of which are:

- Phosphates to prevent calcification.
- Alkalis to aid removal of dried on soiling.
- Enzymes to break down starch and loosen protein.
- Oxygen based bleaching agents to remove coloured stains (e.g. tea, coffee, tomato sauce).

Most dishwasher detergents contain phosphates and are mildly alkaline with enzymes and oxygen based bleaching agents. Phosphate free products are rare.

Types of detergent:

- Powder and liquid gel detergents. These detergents allow you to adjust the amount dispensed according to the amount of load and level of soiling.
- Tab detergents. These are suitable for most levels of soiling.

You can also buy combination products (see "Additional functions, DetergentAgent", if applicable). In addition to detergent, these products contain rinse aid and salt substitutes. They are available as "3 in 1" or when they also contain other components such as glass and stainless steel protective additives and enhanced cleaning power, as "5 in 1", "7 in 1", "All in 1", etc. Refer to the manufacturer's packaging as to whether combination products are suitable for the water hardness level in your area. Please note that the cleaning and drying results of combination detergents can vary greatly.


For optimum cleaning and drying results, use Miele dishwasher detergent and add Miele salt and Miele rinse aid separately. See "Optional accessories".

Dispensing

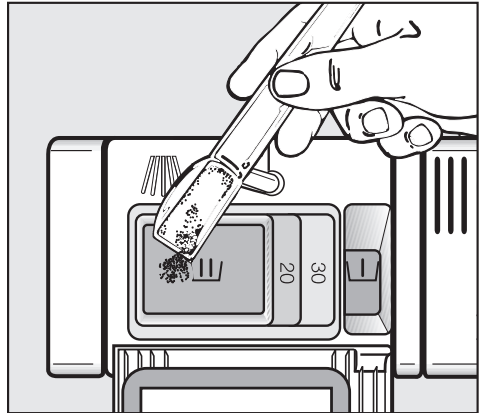
- Follow the dosage recommended by the manufacturer on the packaging.
- Unless directed otherwise, use one detergent tab or add 20 to 30 ml detergent to compartment II, depending on the level of soiling. With very heavy soiling you can also add a small amount of detergent to compartment I (see "Programme chart").
- Tabs may not dissolve completely when the Quick wash 40 °C programme is used.

Failure to dispense the recommended amount of detergent may impair cleaning results.

Operation

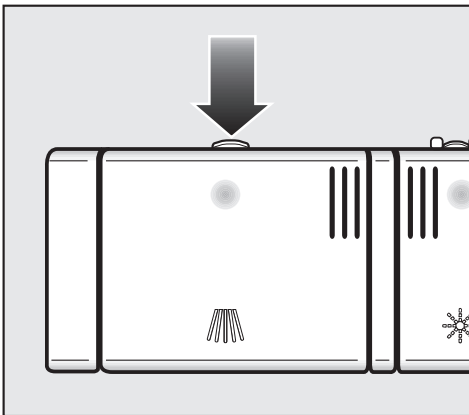
 Avoid inhalation of powder detergents and do not ingest dishwasher detergent. Dishwasher detergents contain irritant or corrosive ingredients which can cause burning in the nose, mouth and throat if swallowed, or inhibit breathing. Consult a doctor immediately if detergent has been swallowed or inhaled. Keep detergent and other household agents out of the reach of children at all times. Keep children away from the dishwasher when the door is open. There could still be detergent residues in the cabinet. To avoid the danger of children coming into contact with the dishwasher detergent, only add detergent just before starting the programme and close the door, activating the child safety lock (if your dishwasher is fitted with one).

The flap is always open at the end of a programme.



- Add the required amount of detergent and close the flap.
- Make sure that the detergent packaging is properly closed after use to avoid it getting damp and becoming lumpy.

Adding detergent



- Press the opening catch on the detergent dispenser. The flap will spring open.

For information

Compartment I holds max. 10 ml,
Compartment II holds max. 50 ml.

There are markings in compartment II to assist with dispensing: 20, 30. The marks indicate a level of approx. 20 or 30 ml when the door is open in a horizontal position.

Switching on

- Make sure the spray arms are not obstructed.
- Close the door.
- Open the stopcock, if it is closed.
- Switch the dishwasher on using the On/Off button (ⓘ).

The Start/Stop indicator light will flash and one of the programme indicator lights will come on.

Selecting a programme

Choose your programme according to the type of load and how dirty it is.

The different programmes and their uses are described in the **Programme chart** later on in this booklet.

- Select the programme required with the programme selector button.

The indicator light for the programme selected comes on.

The programme duration will appear in hours and minutes in the display.

You can now select additional functions (see "Additional functions").

Starting the programme

- Press the Start/Stop button.

The programme will begin. The indicator lights for Start/Stop, Wash/Rinse and the programme selected will light up.

If any additional functions have been selected, the relevant indicator light(s) will also come on.

A programme can only be cancelled in the first few minutes. Otherwise the programme must continue to the end so that important programme stages (e.g. reactivating the water softener) are not omitted.

Operation

Display

The duration of the programme selected appears in hours and minutes in the display before the programme begins. During the programme, the time left until the end of the programme is displayed.

The time displayed may vary with the same programme. This can be due, among other factors, to the water temperature at each intake, the reactivation process, the type of detergent, the amount of crockery and how dirty it is.


When a programme is selected for the first time, the display shows an average time for a cold water intake.

The times shown in the Programme chart refer to standard test loads and temperatures.

Each time a programme is run, the electronic unit takes the new conditions into account, and calculates the time required.

Standby

To save energy, the dishwasher will switch to Standby mode a few minutes after the last time a button has been pressed or a few minutes after the end of the programme. The indicator lights and the display will go out and only the Start/Stop indicator will flash slowly.

- Press the On/Off button  to switch the indicators and display back on again.

If the dishwasher is not switched off at the end of the programme and the door is not opened, it will switch off completely after a few minutes in Standby mode (see "Additional functions, Optimise standby").

The dishwasher will not switch into Standby mode whilst a programme is running, if salt or rinse aid needs to be replenished or there is a fault.

If you only use combination products containing salt and rinse aid in your dishwasher, you can switch the refill indicators off so that the dishwasher will go into Standby despite a lack of salt or rinse aid. You cannot switch off fault indicators.

Programme sequence indicators


After a programme has been started the current stage of the programme is indicated by the programme sequence indicator lights.

At the end of the programme

A programme has finished when a "D" appears in the display and the "End" programme sequence indicator lights up.


The drying fan will continue to run for a few minutes at the end of the Quick wash programme.


The dishwasher can now be opened and unloaded (see "Unloading the dishwasher").

 To prevent the risk of steam damage to the worktop edging above the dishwasher, it is advisable to leave the door closed until you are ready to unload the crockery. Alternatively you can open the door fully until the crockery is cool enough to unload. Do not leave the door only partially open.

Switching off

At the end of a programme:

- Switch the dishwasher off using the On/Off button .

The dishwasher will continue to use electricity until it is switched off with the On/Off button .

If the dishwasher is not going to be used for a longer period of time, e. g. whilst on holiday, the stopcock should be closed.

Unloading the dishwasher

Dishes tend to break and chip more easily when they are hot.

Allow the dishes to cool until they are comfortable enough to handle before unloading them.

If you open the door fully after switching off, the dishes will cool much faster.


- First unload the lower basket, then the upper basket and finally the cutlery tray (depending on model). This will prevent water drops from the upper basket and cutlery tray from falling onto the dishes in the lower basket.

Operation

Interrupting a programme

A programme is interrupted as soon as the door is opened.

If the door is closed again, the programme will continue from the point it was at before the door was opened.

 Water in the dishwasher may be hot. Danger of scalding.

Only open the door if absolutely necessary and exercise extreme caution when doing so. Before closing the door again, leave it ajar for approx. 20 seconds. This will enable the temperature in the wash cabinet to settle. Then close the door firmly making sure that it clicks into place.

Changing a programme

If the detergent dispenser flap has already opened, do not change the programme.

If a programme has already started and you wish to change it, proceed as follows:

- Press the Start/Stop button for at least one second.

The programme will be cancelled.

- Select the programme you want, and then start it.

Turbo

The Turbo function is used to reduce the duration of programmes in which this function is available.

In order to achieve optimum cleaning results, consumption rates are increased when Turbo has been selected.

If a full programme is not yet required the Turbo function can be used in conjunction with the Quick wash programme to rinse dirty crockery, using cold water only and without a drying cycle.

- Switch the dishwasher on using the On/Off button (ⓘ).

The Start/Stop indicator light will flash.

- Select a programme.
- Press the Turbo button.

The Turbo indicator light will come on.

- The programme can now be started.

The option selected is active on all programmes until the setting is changed.

DetergentAgent

For optimum cleaning results, the dishwasher automatically adjusts the programme sequence to the type of detergent being used. Depending on the programme, this can mean that the running time and energy consumption vary slightly.

Follow the detergent manufacturer's instructions on dosage.

The cleaning and drying performance of different types of detergent can vary greatly.

If you only ever use combination products containing salt and rinse aid in your dishwasher, you can switch the refill indicators off if you wish (see "Before using for the first time - Switching off the refill indicators"). The DetergentAgent function will not be affected by this.

Please make sure that if you start using dishwasher salt and rinse aid again, you switch the refill indicators back on.

Additional functions


Delay start

The start time of a programme can be delayed, e.g. to benefit from economy rates of electricity. A Delay start time of between 30 minutes and 24 hours can be selected.

With a Delay start time of between 30 minutes and 9 hours 30 minutes, the time is set in 30 minute increments. For 10 hours or more it is set in one hour increments.

When using the Delay start function, make sure that the detergent compartment is dry before adding detergent. Wipe dry with a cloth if necessary. If the compartment is wet, powder detergent can become lumpy and stick to the dispenser, with the result that it is not fully dispensed.

Do not use liquid detergent when selecting Delay start, as it can run into the dishwasher before it is required.

- Switch the dishwasher on using the On/Off button .

The Start/Stop indicator light will flash.

- Select the programme required with the programme selector button.
- Press the Delay start button.

The last Delay start time used will appear in the display. The Delay start indicator light will come on.

- Set the time required using the Delay start button.

If the button is kept pressed in, the time will increase automatically up to **24h**. To start at 30 minutes again, press the Delay start button twice.

- Press the Start/Stop button.

The Start/Stop indicator light will light up constantly.

The time starts counting down until the programme start time: in 1 hour steps for delay start periods of over 10 hours, and in minutes for delay start periods of under 10 hours.

At the end of the delay period, the programme selected begins automatically. The time left for a programme to run then shows in the display, the Delay start indicator light will go out and the Start/Stop indicator light will light up constantly.

How the Delay start time is shown in the display:

up to 59 minutes:


e.g. 30 minutes = **30**

between 1 hour and 9 hours 30 minutes:

e.g. 5 hours = **5.00**

10 hours and over:

e.g. 15 hours = **15h**

 To prevent children coming into contact with dishwasher detergent, do not fill the detergent dispenser **until just before starting the programme**, i.e. before pressing the Start/Stop button, and activate the safety lock.

Starting a programme before the Delay start period has elapsed:

A programme can be started before the Delay start period has elapsed.

Proceed as follows:

- Press the Start/Stop button for at least one second.

The Delay start indicator light will go out and the Start/Stop indicator light will flash.

- Press the Start/Stop button again.

The programme will begin. The Start/Stop indicator light will light up constantly.

Additional functions

Adjust Sensor wash

You can adjust the Sensor wash programme so that it will remove stubborn soiling in a lightly soiled load.

- Switch the dishwasher off using the On/Off button ①.
- Press the Start/Stop button in and **whilst holding it in** switch the dishwasher on using the On/Off button ①.
Keep the Start/Stop button pressed in until the Start/Stop indicator light comes on.

If this does not happen, start the procedure again from the beginning.

- Press the Delay start button five times.

The Delay start indicator will flash briefly five times at intervals.

The flashing sequence in the display shows what the current setting is.

- "P 1": The Adjust Sensor wash function is activated.
- "P 0": The Adjust Sensor wash function is deactivated.

- If you want to change the setting, press the Start/Stop button.

The setting is now stored in memory.

- Switch the dishwasher off using the On/Off button ①.

Memory

You can use the Memory function to save the last programme selected. Instead of the indicator light for the ECO programme, the indicator light for the last programme selected will come on when the dishwasher is switched off and back on again or the door is opened and then closed at the end of a programme.

- Switch the dishwasher off using the On/Off button ①.
- Press the Start/Stop button in and **whilst holding it in** switch the dishwasher on using the On/Off button ①.
Keep the Start/Stop button pressed in until the Start/Stop indicator light comes on.

If this does not happen, start the procedure again from the beginning.

- Press the Delay start button six times.

The Delay start indicator will flash briefly six times at intervals.

The flashing sequence in the display shows what the current setting is.

- "P 1": The Memory function is activated.
- "P 0": The Memory function is deactivated.

- If you want to change the setting, press the Start/Stop button.

The setting is now stored in memory.

- Switch the dishwasher off using the On/Off button ①.

Additional functions

Optimise standby

To save energy, the dishwasher will switch to Standby mode a few minutes after the last time a button has been pressed or a few minutes after the end of the programme. The indicator lights and the time display will go out and only the Start/Stop indicator will flash slowly.

If the dishwasher is not switched off at the end of the programme and the door is not opened, it will switch off completely after a few minutes in Standby mode

The Optimise standby function can be deactivated if wished. The display and the indicator lights will not go out, and the time lapse before the dishwasher switches off will increase to approx. 6 hours, resulting in higher energy consumption.

The dishwasher will not switch into Standby mode whilst a programme is running, if salt or rinse aid needs to be replenished or there is a fault.

- Switch the dishwasher off using the On/Off button ①.
- Press the Start/Stop button in and **whilst holding it in** switch the dishwasher on using the On/Off button ①.
Keep the Start/Stop button pressed in until the Start/Stop indicator light comes on.

If this does not happen, start the procedure again from the beginning.

- Press the Delay start button eight times.

The Delay start indicator will flash briefly eight times at intervals.

The flashing sequence in the display shows what the current setting is.

- "P 1": Optimise standby is activated.
- "P 0": Optimise standby is deactivated.

- If you want to change the setting, press the Start/Stop button.

The setting is now stored in memory.

- Switch the dishwasher off using the On/Off button ①.

Factory default

If you have altered any settings from the factory default, you can re-set them back to the factory default settings as follows:

- Switch the dishwasher off using the On/Off button ①.
- Press the Start/Stop button in and **whilst holding it in** switch the dishwasher on using the On/Off button ①.
Keep the Start/Stop button pressed in until the Start/Stop indicator light comes on.

If this does not happen, start the procedure again from the beginning.

- Press the Delay start button twelve times.

The Delay start indicator light will give one long flash and two brief flashes at intervals.

The flashing sequence in the display shows what the current setting is.


- "P 1": All settings are set to factory default settings.
 - "P 0": At least one setting has been changed.
- To reset the dishwasher to the factory default settings, press the Start/Stop button.

The setting is now stored in memory.

- Switch the dishwasher off using the On/Off button ①.

Cleaning and care

Check your dishwasher regularly (approx. every 4 - 6 months). This way faults and problems can be avoided.

 The external surfaces of the dishwasher are susceptible to scratching. Contact with unsuitable cleaning agents can alter or discolour the external surfaces.

Cleaning the wash cabinet

The wash cabinet is largely self-cleaning, provided that the correct amount of detergent is always used.

If, however, there are limescale or grease deposits in the cabinet, these can be removed with a proprietary dishwasher cleaner* or conditioner*. Follow the instructions on the packaging.

If you mainly use low temperature programmes (below 50 °C), bacteria and unpleasant odours can build in the wash cabinet. To clean the wash cabinet and prevent unpleasant odours building up, run the Pots & Pans 75°C programme once month.


Make sure that you also clean the filters in the wash cabinet regularly.

Cleaning the door and the door seal

- Wipe the door seals regularly with a damp cloth to remove food deposits.
- Wipe off any food or drink residues which may have dripped onto the sides of dishwasher door before closing it.

If this is not done, mould could build up on these surfaces as they are outside the wash cabinet and so not accessed and cleaned by the spray arm jets.

Cleaning the door front

 Remove any soiling immediately. If this is not done, it might become impossible to remove and could cause the external surfaces to alter or discolour.

- Clean the front using a damp Miele microfibre E-cloth*, or with a clean sponge and a solution of hot water and washing-up liquid. Then dry with a soft cloth.

To avoid damaging the external surfaces, do not use:


- cleaning agents containing soda, ammonia, acids or chlorides,
- cleaning agents containing descaling agents,
- abrasive cleaning agents, e.g. powder cleaners and cream cleaners,
- solvent-based cleaning agents,
- stainless steel cleaning agents,
- dishwasher cleaner,
- oven sprays,
- glass cleaning agents,
- hard, abrasive sponges and brushes, e.g. pot scourers,
- melamine eraser blocks,
- sharp metal scrapers,
- steam cleaning appliances.

* See "Optional accessories"

Cleaning and care

Cleaning the filters in the wash cabinet

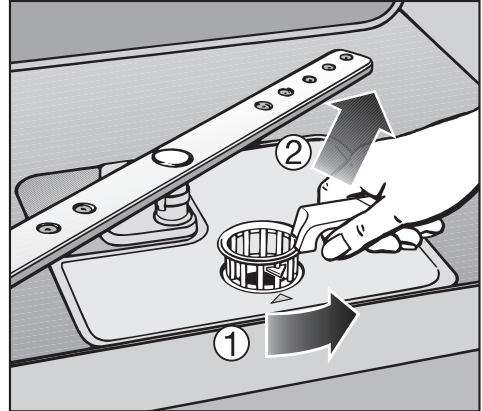
The filter combination in the base of the wash cabinet retains coarse soil from the suds solution, preventing it accessing the circulation system and re-entering the cabinet through the spray arms.

 This dishwasher must not be used without all the filters in place.


Collection of coarse soil may cause the filters to clog. The level of soiling and time it takes before the filters need cleaning will vary depending on use.

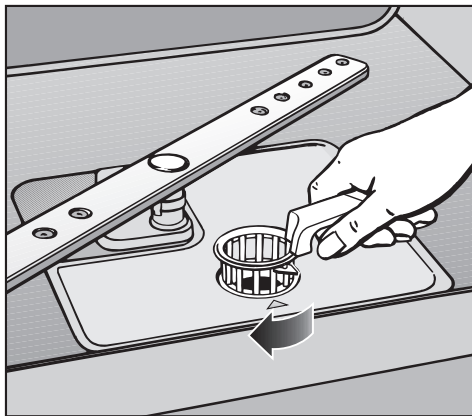
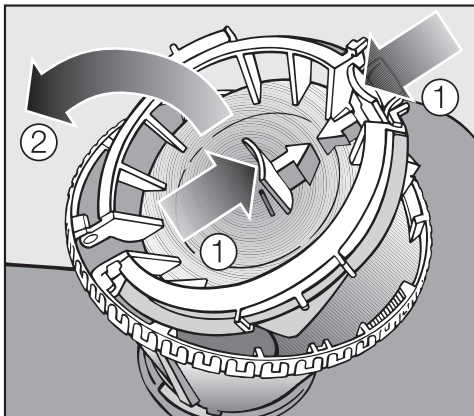
Check the condition of the filters regularly and clean them if necessary.

- Switch the dishwasher off.



- Turn the handle anti-clockwise to release the filter combination ①.
- Lift the filter combination out of the dishwasher ②. Remove any coarse particles and rinse the filter well under running water. Use a nylon brush if necessary.


 Make sure that when cleaning the filters, no coarse soil falls into the circulation system, causing a blockage.



To clean the inside of the filter, the flap must be opened:

- Press catches ① together in the direction of the arrows as shown, and open the filter ②.
- Rinse all the filters under running water.
- Then close the flap so that the catch engages.

- Replace the filter combination so that it lies flat in the base of the wash cabinet.
- Then turn the handle clockwise to lock the filter combination in place.

 Take care when you are fitting the filter combination that it is secured in position correctly. Otherwise coarse soil could get into the circulation system and cause a blockage.

Cleaning and care

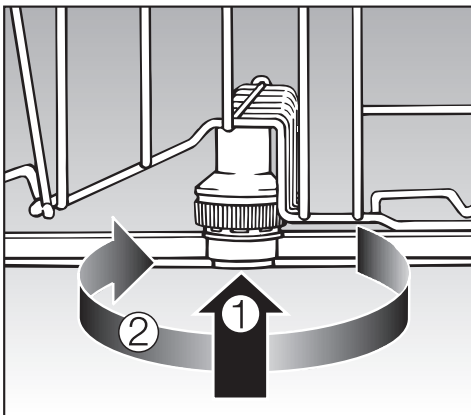
Cleaning the spray arms

Particles of food can get stuck in the spray arm jets and bearings. The spray arms should therefore be inspected and cleaned regularly (approx. every 4 - 6 months).

- Switch the dishwasher off.

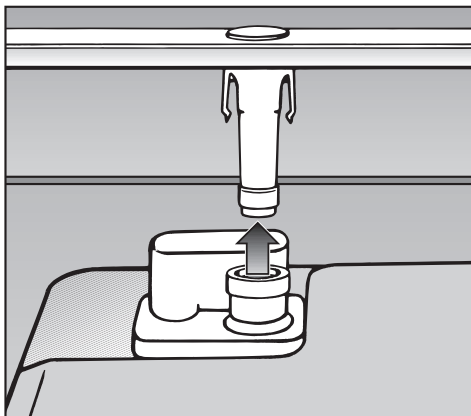
Remove the spray arms as follows:

- Take out the cutlery tray (if your dishwasher is fitted with one).
- Push the **top** spray arm upwards to engage the inner ratchet. Then unscrew the spray arm.

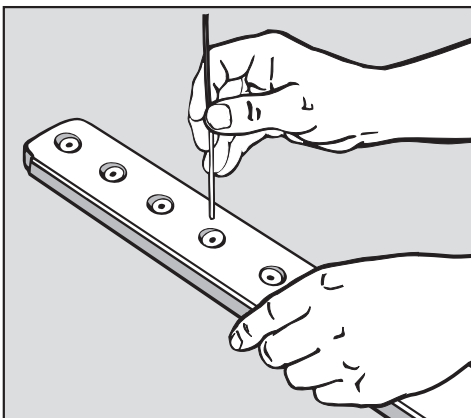


- Push the **middle** spray arm upwards ① to engage the ratchet. Then unscrew the spray arm ②.

- Remove the lower basket.




- Pull the **lower** spray arm firmly upwards to remove it.



- Use a pointed object to push food particles into the spray arm jets.
- Rinse thoroughly under running water.
- Replace the spray arms and check that they rotate freely.

Problem solving guide

With the help of the following guide, minor faults in the performance of the appliance, some of which may result from incorrect operation, can be put right without contacting the Service Department.


 Repairs should only be carried out by a suitably qualified and trained person in strict accordance with current local and national safety regulations. Unauthorised or incorrect repairs could cause personal injury or damage to the appliance.

Technical problems

Problem	Possible cause	Remedy
The Start/Stop indicator does not flash after the dishwasher has been switched on using the On/Off button ①.	The appliance is not plugged in.	Insert the plug and switch on at the socket.
	The mains fuse has tripped.	Reset the trip switch or replace the fuse in the plug. (Minimum fuse rating - see data plate).
The dishwasher stops during a programme.	The mains fuse has tripped.	Reset the trip switch or replace the fuse in the plug. (Minimum fuse rating - see data plate).

Problem solving guide

Problem	Possible cause	Remedy
<p>The Wash/Rinse, Drying and End indicator lights flash simultaneously. Fault code FXX shows in the time display.</p>	<p>There may be a technical fault.</p>	<ul style="list-style-type: none"> – Switch the dishwasher off using the On/Off button ①. <p>After a few seconds:</p> <ul style="list-style-type: none"> – Switch the dishwasher back on. – Select the programme required with the programme selector button. – Press the Start/Stop button. <p>If the programme sequence indicator lights flash again, there is a technical fault.</p> <ul style="list-style-type: none"> – Call the Service Department.
<p>The drain pump works even when the door is open.</p>	<p>Fault F70: The Waterproof System has reacted.</p>	<ul style="list-style-type: none"> – Close the stopcock. – Call the Service Department.

Water inlet/drain fault		
Problem	Possible cause	Remedy
The Inlet/Drain check indicator flashes.	The stopcock is closed.	Open the stopcock fully.
The dishwasher stops during a programme. The Inlet/Drain check indicator flashes. Fault code FXX shows in the display.		Before rectifying the problem: <ul style="list-style-type: none"> – Switch the dishwasher off using the On/Off button .
	Fault F12/F13: Water intake is restricted.	<ul style="list-style-type: none"> – Open the stopcock fully. – Clean the water inlet filter (see "Maintenance"). – The water pressure at the intake is lower than 30 kPa (0.3 bar). Seek professional advice.
	Fault F11: Water outlet is restricted, water remains in the wash cabinet at the end of a programme.	<ul style="list-style-type: none"> – Clean the filter combination. See "Cleaning and care". – Clean the drain pump. See "Maintenance". – Clean the non-return valve. See "Maintenance". – Remove any kink in the drain hose.

Problem solving guide

General problems		
Problem	Possible cause	Remedy
The time display is dark. The Start/Stop indicator is flashing slowly.	The time display has switched off automatically to save energy (Standby mode).	Press any button. This switches off Standby.
Detergent residue is left in the dispenser at the end of a programme.	The dispenser was still damp when detergent was added.	Make sure the dispenser is dry before adding detergent.
The detergent dispenser lid cannot be closed properly.	Clogged detergent residue is blocking the catch.	Clean the detergent from the catch.
At the end of a programme there is a film of moisture on the inside of the door and the interior walls.	This is caused by the drying system and does not indicate a fault.	The moisture will dissipate after a while.
Water remains in the wash cabinet at the end of a programme.		Before rectifying the problem: – Switch the dishwasher off using the On/Off button ①.
	The filter combination in the wash cabinet is clogged.	Clean the filter combination. See "Cleaning and care".
	The drain pump or non-return valve may be blocked.	Clean the drain pump or the non-return valve. See "Maintenance".
	The drain hose is kinked.	Remove any kink from the drain hose.

Problem solving guide

Noises		
Problem	Possible cause	Remedy
Knocking noise in the wash cabinet.	A spray arm is knocking against an item in a basket.	Interrupt the programme, and rearrange the items which are obstructing the spray arm.
Rattling noise in the wash cabinet.	Items of crockery are insecure in the wash cabinet.	Interrupt the programme, and rearrange the items of crockery.
	A foreign object (e.g. a cherry stone) has become lodged in the drain pump.	Remove the foreign object from the drain pump (see "Maintenance: Cleaning the drain pump and non-return valve").
Knocking noise in the water pipes.	This may be caused by the on-site installation or the cross-section of the piping.	This has no influence on dishwasher function. If in doubt, contact a suitably qualified plumber.

Problem solving guide

Unsatisfactory washing result		
Problem	Possible cause	Remedy
The dishes are not clean.	The dishes were not loaded correctly.	See notes in "Loading the dishwasher".
	The programme was not powerful enough.	Select a more intensive programme. See Programme chart.
	There is some stubborn soiling although most of the crockery is only lightly soiled (e.g. with tea stains).	Use the "Adjust Sensor wash" function (see "Additional functions").
	Not enough detergent was dispensed.	Use more detergent, or change your detergent.
	Items are blocking the path of the spray arms.	Rearrange the items so that the spray arms can rotate freely.
	The filter combination in the base of the wash cabinet is not clean or is not correctly fitted. This may cause the spray arm jets to get blocked.	Clean and/or fit the filter combination correctly. Clean the spray arm jets. See "Cleaning and care".
	The non-return valve is open and blocked. Dirty water has flowed back into the wash cabinet.	Clean the drain pump and the non-return valve. See "Maintenance - Cleaning the drain pump and non-return valve".
Smearing appears on glassware and cutlery, there is a bluish sheen on the surface of glassware; film can be wiped off.	The rinse aid dosage is set too high.	Reduce the dosage. See "Before using for the first time - Rinse aid".

Problem solving guide


Problem	Possible cause	Remedy
Dishes, cutlery and glasses are not dry or are flecked.	The amount of rinse aid may be insufficient, or the rinse aid reservoir empty.	Replenish the reservoir, increase the dosage or change the brand of rinse aid (see "Before using for the first time - Rinse aid").
	Crockery was taken out of the cabinet too soon.	Leave it in for longer. See "Operation".
	Combination products have been used which have impaired drying performance.	Change your detergent, or replenish the rinse aid (see "Before using for the first time - Rinse aid").
White residue is visible on cutlery and crockery, clouding occurs on glassware; film can be wiped off.	Not enough rinse aid was used.	Increase the dosage (see "Before using for the first time - Setting the rinse aid dosage").
	There is no salt in the salt reservoir.	Fill the salt reservoir (see "Before using for the first time - Filling the salt reservoir").
	The salt reservoir cap has not been screwed on correctly.	Replace it, making sure that it screws back on correctly.
	An unsuitable combination detergent has been used.	Change your detergent. Use a standard liquid, tablet or powder detergent, and fill the salt and rinse aid reservoirs in the dishwasher.
	The water softener is programmed to a setting which is too low.	Select a higher water softener setting (see "Water softener").

Problem solving guide

Problem	Possible cause	Remedy
Glassware has a brown or blue tinge, and film cannot be wiped off.	This may be caused by the detergent.	Change your detergent.
Glassware is dull and discoloured; film cannot be wiped off.	The glasses are not dishwasher-proof. The surfaces are affected.	There is no remedy. Purchase glassware which is dishwasher-proof.
Tea or lipstick stains have not been completely removed.	The wash temperature of the selected programme was too low.	Select a programme with a higher wash temperature.
	The bleaching effect of the detergent used is too low.	Change your detergent.
Plastic items are discoloured.	Natural dyes e.g. from carrots, tomatoes or ketchup may be the cause. The amount of detergent used or its bleaching effect was not sufficient to deal with natural dyes.	Use more detergent (see "Operation - Detergent"). Discolouration is irreversible.
There are rust stains on cutlery.	The affected items are not corrosion resistant.	There is no remedy. Purchase cutlery which is dishwasher-proof.
	A programme was not run after dishwasher salt was added. Traces of salt have got into the wash cycle.	Always run the "Quick wash" programme, without any crockery in the dishwasher and without selecting the "Turbo" function, after adding dishwasher salt.
	The salt reservoir cap has not been screwed on correctly.	Replace it, making sure that it screws back on correctly.

Cleaning the water inlet filter

A filter is incorporated in the screw connection of the valve on the water inlet hose. The filter must be cleaned when dirty, otherwise insufficient water flows into the wash cabinet.

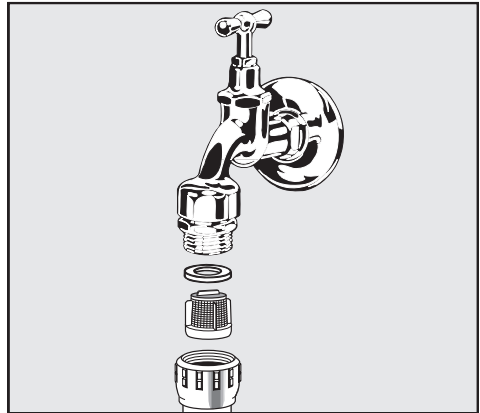
 The plastic housing of the water connection contains an electrical component. It must not be dipped in water.

Recommendation

If the mains water contains a large amount of insoluble substances, we recommend fitting a large-area filter in the connection between the stopcock and the water inlet hose threaded union. This filter is available from the Miele Spares Parts dept.

Cleaning the filter:

- Disconnect the dishwasher from the mains supply. Switch off at the mains socket and withdraw the plug.
- Close the stopcock.
- Unscrew the inlet hose.



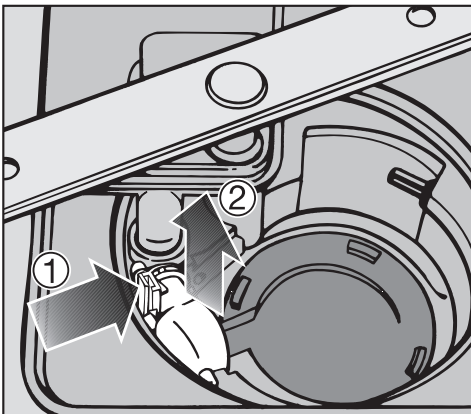
- Carefully remove the seal.
- Withdraw the filter using pointed pliers and rinse clean under running water.
- Replace the filter and seal, making sure they are sitting correctly.
- Reconnect the inlet hose to the stopcock, making sure it goes on correctly and is not cross-threaded.
- Turn on the stopcock gradually to test for leaks. If there is a leak, the inlet hose might not be on securely, or it may have been screwed on at an angle. Unscrew and reconnect the water inlet valve correctly.

Maintenance

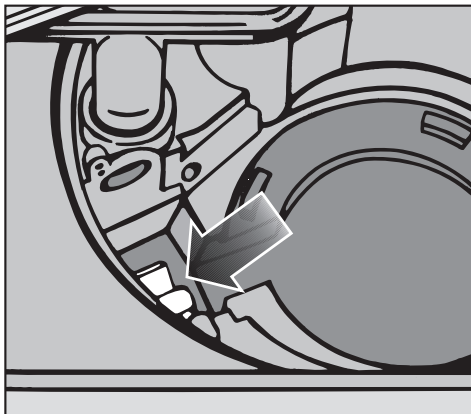
Cleaning the drain pump and non-return valve

If the water has not been pumped away at the end of a programme the drain pump or the non-return valve might be blocked. They are, however, easy to clean.

- Disconnect the dishwasher from the mains supply. Switch off at the mains socket and withdraw the plug.
- Take the filter combination out of the wash cabinet (see "Cleaning and care - Checking the filters in the wash cabinet").
- Scoop the water out of the cabinet using a suitable container or utensil.



- Press the catch for the non-return valve inwards ①.
- Lift out the non-return valve ②, and rinse well under running water.
- Remove all foreign objects from the non-return valve.



The drain pump is situated under the non-return valve (see arrow).

- Remove all foreign objects from the drain pump (watch out for glass or bone splinters which are particularly difficult to detect and could cause injury). Turn the drain pump impeller by hand to check that there are no more obstructions. You will feel a little resistance when you turn the impeller.
- Carefully replace the non-return valve and secure it with the catch.

⚠ Ensure that the catch engages correctly.

Be very careful not to damage sensitive components when cleaning the drain pump and the non-return valve.

Repairs

In the event of any faults that you cannot remedy yourself, please contact:

- Your Miele dealer, or
- the Miele Service Department (see back cover for address).

Please note that telephone calls may be monitored and recorded to improve our service.

- When contacting your Dealer or the Service Department, please quote the model type and number of your appliance, both of which are shown on the data plate on the right hand side of the door.

N.B. A call-out charge will be applied for service visits where the problem could have been resolved as described in these instructions.

Guarantee

For information on the appliance guarantee specific to your country please contact Miele. See back cover for contact details.

In the U.K. your appliance is guaranteed for 2 years from the date of purchase. However, you must activate your cover by calling 0845 365 6640 or registering online at www.miele.co.uk.

Future updates

The programme update function is designed to enable a service technician to update your appliance's electronics in keeping with advances in technology.

Information regarding programme updates will be made known by the Miele Company as and when such developments become available.

For testing institutes

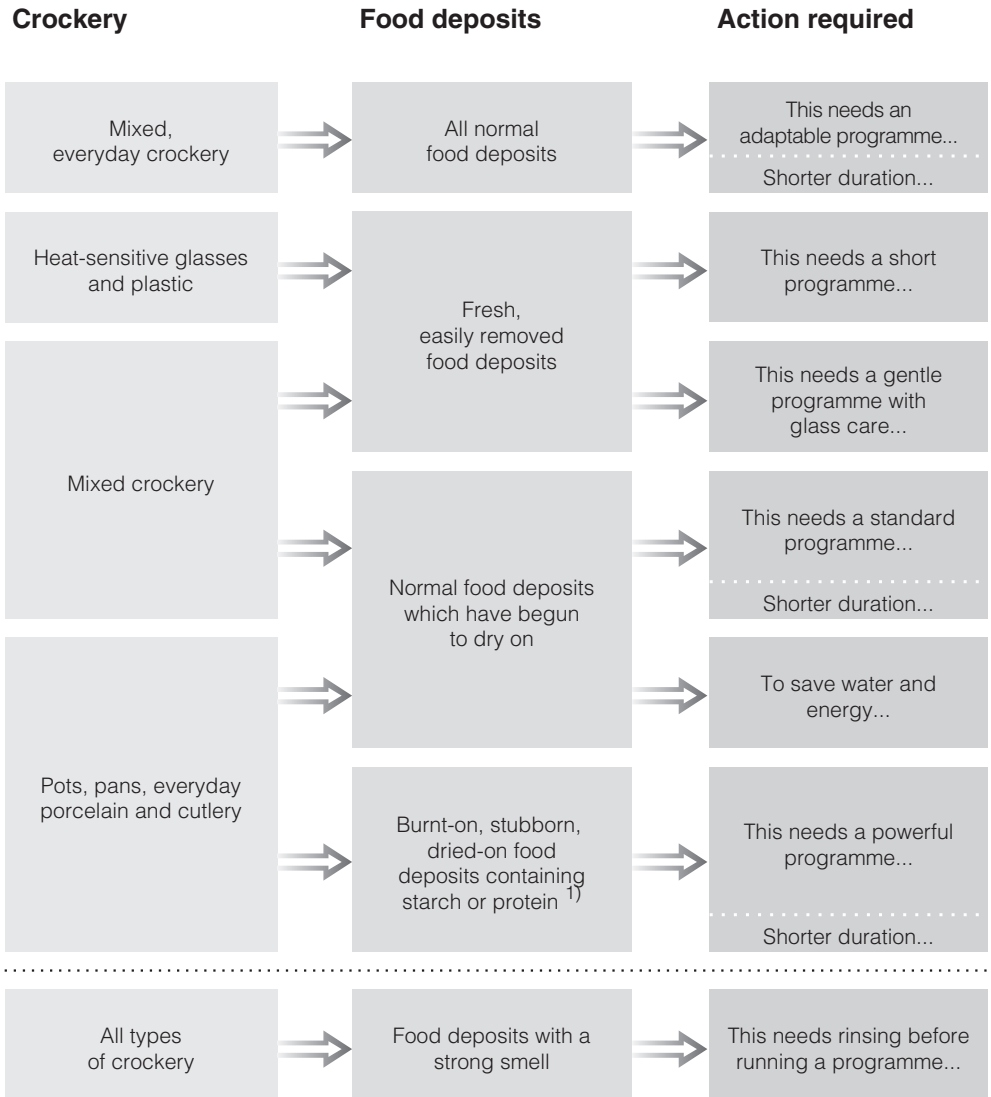
All information required regarding comparison testing and measuring noise levels is given in the "**Comparison tests**" leaflet.

The latest version of this leaflet can be ordered by email from:

- testinfo@miele.de








- Please give your postal address, as well as the model type and number of your dishwasher (see data plate).

Programme chart



¹⁾ Food such as potatoes, pasta, rice or casseroles can leave starchy deposits. Deposits containing protein can be left by food such as fried meat, fish or eggs and bakes.

Programme chart

Programme	Detergent	
	Compartment I ²⁾	Compartment II ²⁾
 Sensor wash + Turbo option	–	25 ml or 1 tab
 Quick wash 40°C	–	25 ml or 1 tab ³⁾
 Sensor wash gentle	–	25 ml or 1 tab
 Light soiling 50°C + Turbo option	–	25 ml or 1 tab ³⁾
 ECO	–	25 ml or 1 tab
 Pots & pans 75°C + Turbo option	10 ml	25 ml or 1 tab
.....		
 Quick wash 40°C + Turbo option	–	–

²⁾ see "Detergent"

³⁾ In some cases, tabs may not dissolve completely.

Programme chart

Programme	Programme sequence					
	Pre-wash	Main wash °C	Interim rinse		Final rinse °C	Drying
			1	2		
Sensor wash	Variable programme sequence, sensor controlled adjustment according to the amount of crockery and level of food deposits					
	If required	45-65	If required		68	X
Quick wash 40 °C		40	X		45	X
Sensor wash gentle 55 °C	Variable programme sequence with glass care, sensor controlled adjustment according to the amount of crockery and level of food deposits					
	If required	40-48	If required		55	X
ECO 1)		45	X		60	X
Light soiling 50 °C		50	X		68	X
Pots & pans 75 °C	X	75	X		68	X

1) Standard programme for cleaning normally soiled crockery.

This programme is the most efficient in terms of its combined energy and water consumption at cleaning normally soiled crockery.

Programme chart

Consumption ²⁾			Duration ²⁾	
Electricity		Water	Cold water connection (15 °C) h:min	Hot water connection (55 °C) h:min
Cold water connection (15 °C) kWh	Hot water connection (55 °C) kWh	Litres		
0.95 ³⁾ -1.35 ⁴⁾	0.70 ³⁾ -1.00 ⁴⁾	10.0 ³⁾ -17.0 ⁴⁾	1:36-2:38	1:23-2:21
0.60	0.25	10.0	0:38	0:27
0.70 ³⁾ -0.95 ⁴⁾	0.40 ³⁾ -0.50 ⁴⁾	10.0 ³⁾ -17.0 ⁴⁾	1:26-2:02	1:17-1:43
0.94 ⁵⁾ / 0.93 ⁶⁾	0.59 ⁵⁾ / 0.58 ⁶⁾	10.0	2:52	2:43
1.20	0.90	10.0	1:42	1:33
1.55	1.15	13.0	2:40	2:29

2) Values quoted are in accordance with EN 50242. The durations given will vary depending on individual conditions and on data recorded by the sensors.

Selecting the "Turbo" function (according to model) can shorten a programme by up to 50 minutes with an increase in electricity consumption of electricity of up to 0.2 kWh.

3) Half load with light soiling

4) Full load with heavy soiling

5) Dishwashers with cutlery tray

6) Dishwashers with cutlery basket

Optional accessories

To make the most of your dishwasher


Optional accessories for particular purposes are available from your Miele dealer, from the Miele Spare Parts Department or via the Internet at www.miele-shop.com (some may be supplied as standard, depending on model).

If you would like to ...	you will need to order ...
... wash a Miele Cappuccinatore	... a Cappuccinatore insert for the upper basket
... wash additional items of cutlery	... a cutlery basket for the lower basket
... wash long-stemmed glassware	... a glass rack for the lower basket

Miele CareCollection

Miele branded cleaning and care products, including dishwasher salt, detergent and rinse aid, are available to order from the Miele Spare Parts Department or via the Internet at www.miele-shop.com.

Electrical connection U.K.

 All electrical work must be carried out by a suitably qualified and competent person, in accordance with current local and national safety regulations (BS 7671 in the UK).

Ensure power is not supplied to the appliance until after installation work has been carried out.

The appliance is supplied with a mains cable with moulded plug ready for connection to a 230-240V mains supply. Please ensure the connection data quoted on the data plate match the household mains supply.

Connection should be made via a suitable switched socket which is easily accessible after installation.

For extra safety it is advisable to protect the appliance with a suitable residual current device (RCD). Contact a qualified electrician for advice.

Do not connect via an extension lead. Extension leads do not guarantee the required safety of the appliance (e.g. danger of overheating).

This appliance must not be connected to the inverter of an autonomous power supply, e.g. a solar power system. When switching the appliance on, a surge in power could trigger the safety cut-out mechanism.

This appliance must not be used with so-called energy saving devices. These reduce the energy supply to the appliance which could then become too warm. Using such devices could alter the specification of the product.

Non-rewireable plugs BS 1363

The fuse cover must be refitted when changing the fuse, and if the fuse cover is lost, the plug must not be used until a suitable replacement is obtained. The colour of the correct replacement cover is that of the coloured insert in the base of the plug, or the colour that is embossed in words on the base of the plug (as applicable to the design of plug fitted).

Replacement fuses should be ASTA approved to BS 1362 and have the correct rating. Replacement fuses and fuse covers may be purchased from your local electrical supplier.


WARNING: THIS APPLIANCE MUST BE EARTHED

Plumbing

The Miele waterproof anti-leak system

Providing your dishwasher has been installed correctly, the Miele waterproof anti-leak system will protect you from water damage throughout its lifetime.


Connection to the water supply

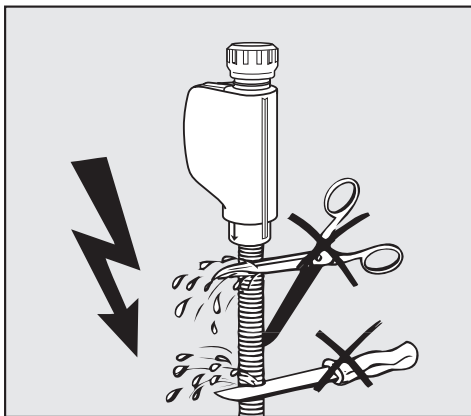
 Water in the dishwasher must not be used as drinking water.


- The dishwasher may be connected to a cold or hot water supply, max. 60 °C. We would only recommend connection to a hot water supply if it is economical, e.g. a solar powered supply. When connected to a hot water supply all programme stages which would otherwise be carried out with cold water will be carried out with hot water.
- The inlet hose is approx. 1.5 m long. A 1.5 metre long flexible metal extension hose, pressure tested to 14,000 kPa/ 140 bar, is available as an optional accessory if required.
- A stopcock with a $\frac{3}{4}$ " male thread must be provided on site.
- This appliance is constructed to comply with IEC/EN/DIN 61770 // VDE 0700 Section 600, and may be connected to a suitable supply without an extra non-return valve if national regulations permit.

- The water pressure (flow pressure at the take-off point) must be between 30 and 1000 kPa (0.3 and 10 bar). If the water pressure is too high, a pressure reducer valve must be fitted.

After connecting the dishwasher to the water supply, check that all plumbing connections are watertight.


 To avoid any damage to the appliance, the dishwasher must only be connected to a fully vented plumbing system.



 The inlet hose must **not** be shortened or damaged in any way as it contains electrical components (see illustration).

Drainage

- The appliance drainage system is fitted with a non-return valve, which prevents dirty water from flowing back into the dishwasher via the drain hose.
- The dishwasher is supplied with approx. 1.5 m of flexible drain hose with an internal diameter of 22 mm.
- The drain hose can be extended using a connection piece to attach a further length of hose. The drainage length must not be longer than 4 m, and the delivery head must not exceed 1 m.
- If the hose is to be directly fitted to the drainage outlet on site, use the hose clip supplied (see installation diagram).
- The hose can be directed to the left or the right of the appliance.
- The on-site connector for the drain hose can be adapted to different widths of hose. If the connector protrudes too far into the drain hose, it will need to be shortened. Otherwise the drain hose may become blocked.
- The drain hose must not be shortened.

 Make sure that there are no kinks in the hose, and that it is not squashed or stretched.

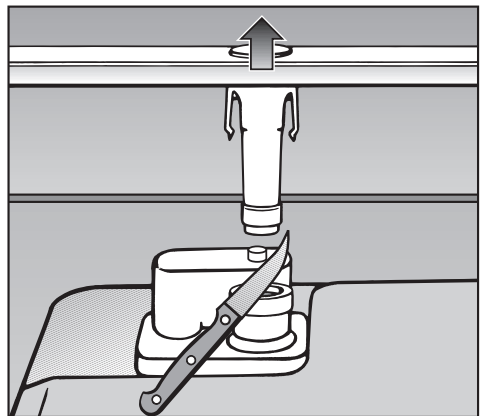
After connecting the dishwasher to the drainage system, check that all plumbing connections are watertight.

Venting the drainage system

If the on-site drain connection is situated lower than the guide path for the bottom basket rollers in the open door, the drainage system must be vented. Otherwise a siphoning effect during a programme can cause the appliance to empty itself of water.

To vent it:

- Open the dishwasher door fully.



- Pull the lower spray arm firmly upwards to remove it.
- Cut off the top of the vent valve in the wash cabinet.

Technical data

Dishwasher model	Standard	XXL
Height freestanding model	84.5 cm (adjustable + 3.5 cm)	-
Height built-in model	80.5 cm (adjustable + 6.5 cm)	84.5 cm (adjustable + 6.5 cm)
Height of building-in recess	Min. 80.5 cm (+ 6.5 cm)	Min. 84.5 cm (+ 6.5 cm)
Width	59.8 cm	59.8 cm
Width of building-in recess	60 cm	60 cm
Depth:		
Freestanding model	60 cm	-
Built-in model	57 cm	57 cm
Weight	Max. 67 kg	Max. 59 kg
Voltage	230 V	230 V
Connected load	2200 W	2200 W
Fuse rating	10 A	10 A
Power consumption when switched off	0.20 W	0.20 W
Power consumption when not switched off	1.00 W	1.00 W
Test certificates awarded	KEMA, VDE, radio and television suppressed	KEMA, VDE, radio and television suppressed
Water pressure (flow rate)	30 - 1000 kPa (0.3 - 10 bar)	30 - 1000 kPa (0.3 - 10 bar)
Hot water connection	Max. 60 °C	Max. 60 °C
Delivery head	Max. 1 m	Max. 1 m
Drainage length	Max. 4 m	Max. 4 m
Mains cable	Approx. 1.7 m	Approx. 1.7 m
Capacity	13/14 place settings*	13/14 place settings*

* depending on model

United Kingdom

Miele Co. Ltd.
Fairacres, Marcham Road
Abingdon, Oxon, OX14 1TW
Tel: 0845 365 0555
Fax: 0845 365 0777
Customer Contact Centre Tel: 0845 365 6600
E-mail: info@miele.co.uk
Internet: www.miele.co.uk

Australia

Miele Australia Pty. Ltd.
ABN 96 005 635 398
1 Gilbert Park Drive, Knoxfield, VIC 3180
Tel: 1300 464 353, Fax: (03) 9764 7149
Internet: www.miele.com.au

China

Miele (Shanghai) Trading Ltd.
1-3 Floor, No. 82 Shi Men Yi Road
Jing' an District
200040 Shanghai, PRC
Tel: +86 21 6157 3500
Fax: +86 21 6157 3511
E-mail: mieleshanghai@cn.miele.com
Internet: www.miele.cn

Miele (Hong Kong) Limited

41/F - 4101, Manhattan Place
23 Wang Tai Road
Kowloon Bay
Hong Kong
Tel: (852) 2610 1331
Fax: (852) 2610 1013
Email: mielehk@miele.com.hk

India

Miele India Pvt. Ltd.
Ground Floor, Copia Corporate Suites
Plot No. 9, Jasola
New Delhi - 110025
Tel: 011-46 900 000, Fax: 011-46 900 001
E-mail: customercare@miele.in
Internet: www.miele.in

Manufacturer: Germany - Miele & Cie. KG
Carl-Miele-Straße 29, 33332 Gütersloh

Miele

Ireland

Miele Ireland Ltd.
2024 Bianconi Avenue
Citywest Business Campus, Dublin 24
Tel: (01) 461 07 10, Fax: (01) 461 07 97
E-Mail: info@miele.ie, Internet: www.miele.ie

New Zealand

Miele New Zealand Limited
Unit L, 10-20 Sylvia Park Road
Mt. Wellington, 1060, Auckland, NZ
Tel: 0800 264 353, Fax: 0800 463 453
Internet: www.miele.co.nz

Singapore

Miele Southeast Asia
Miele Pte. Ltd.
163 Penang Road
04 - 02/03 Winsland House II
Singapore 238463
Tel: +65 6735 1191, Fax: +65 6735 1161
E-Mail: infosea@miele.com.sg
Internet: www.miele.sg

South Africa

Miele (Pty) Ltd
63 Peter Place, Bryanston 2194
P.O. Box 69434, Bryanston 2021
Tel: +27 (0) 11 548-1900
Fax: +27 (0) 11 548-1935
E-mail: info@miele.co.za
Internet: www.miele.co.za

United Arab Emirates

Miele Appliances Ltd.
P.O. Box 11 47 82
Gold & Diamond Park
Sheikh Zayed Road
Building 6 / Offices Nos. 6-214 to 6-220
Dubai
Tel: +971-4-341 84 44
Fax: +971-4-341 88 52
E-Mail: info@miele.ae
Internet: www.miele.ae

Alteration rights reserved/
G5400/G5405 / 1112

M.-Nr. 09 276 780 / 00



Free Manuals Download Website

<http://myh66.com>

<http://usermanuals.us>

<http://www.somanuals.com>

<http://www.4manuals.cc>

<http://www.manual-lib.com>

<http://www.404manual.com>

<http://www.luxmanual.com>

<http://aubethermostatmanual.com>

Golf course search by state

<http://golfingnear.com>

Email search by domain

<http://emailbydomain.com>

Auto manuals search

<http://auto.somanuals.com>

TV manuals search

<http://tv.somanuals.com>