

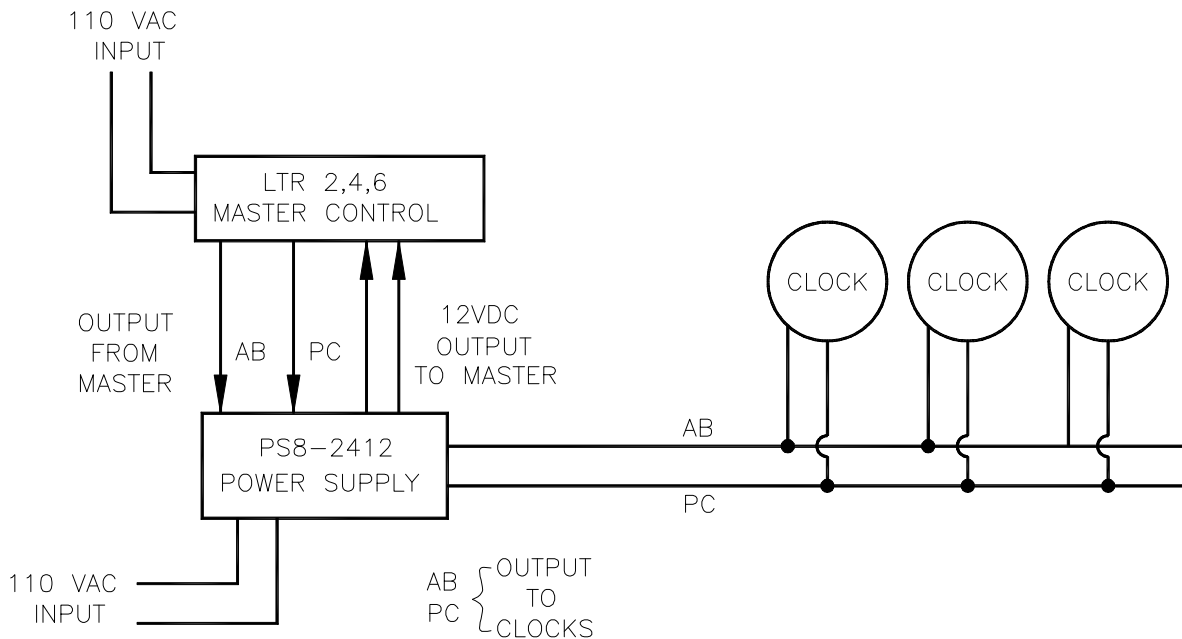
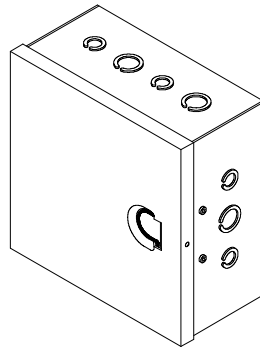


LATHEM TIME

PS8-2412 Power Supply

The PS8-2412 Power Supply was designed to operate with 2 wire reverse polarity systems. It operates from 115/220 VAC as specified by the customer, and provides two different voltage level outputs: 12VDC full wave and 24VDC at the terminal block (TB2).

The power supply is fused (input and output) with two 5-amp fuses, to provide a maximum of 5-amp total current. The ON/OFF switch controls all voltage outputs. The unit is housed in an 8" x 4" black, surface-mount box with a latched door hinged on the left. Universal knockouts are provided on all sides for routing wires in and out of the box.



Free Manuals Download Website

<http://myh66.com>

<http://usermanuals.us>

<http://www.somanuals.com>

<http://www.4manuals.cc>

<http://www.manual-lib.com>

<http://www.404manual.com>

<http://www.luxmanual.com>

<http://aubethermostatmanual.com>

Golf course search by state

<http://golfingnear.com>

Email search by domain

<http://emailbydomain.com>

Auto manuals search

<http://auto.somanuals.com>

TV manuals search

<http://tv.somanuals.com>