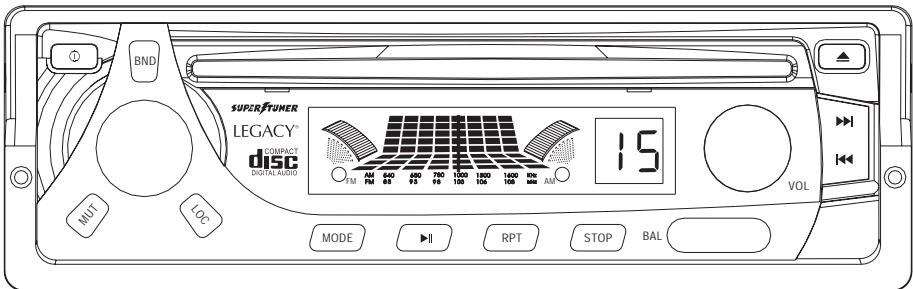


LEGACY[®]

LCD32FD

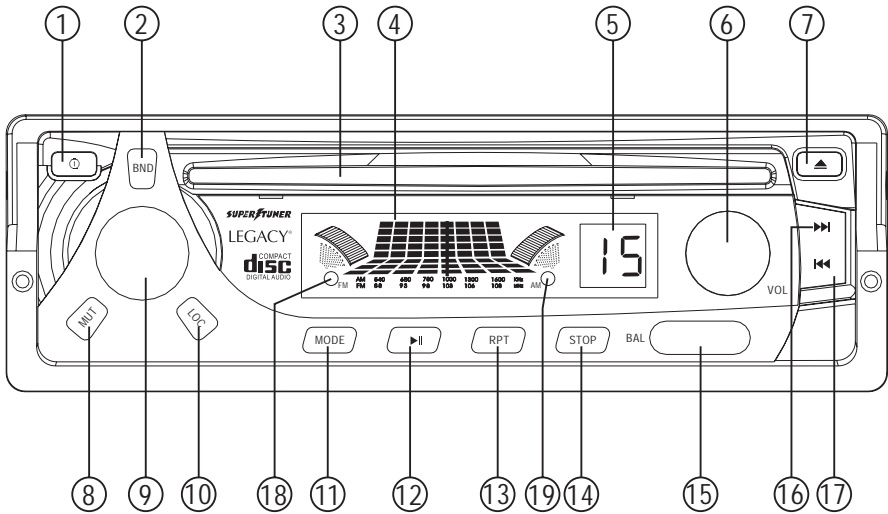
INSTRUCTION MANUAL



**AUTO-LOADING COMPACT DISC PLAYER
WITH AM/FM TUNING RADIO**

WWW.LEGACYCARAUDIO.COM

LOCATION AND FUNCTION OF CONTROLS



1. POWER BUTTON

Press it to turn on or off the unit.

2. BAND BUTTON

Press it to select your desired radio band AM or FM.

3. CD COMPARTMENT

4. FREQUENCY COUNTER

By the pointer, the display shows the frequency of the broadcasting station being received.

5. LED DISPLAY

This is to show the track no. of CD.

6. VOLUME CONTROL

Rotate it to increase or decrease the volume level.

7. EJECT BUTTON

Press it to eject the CD DISC.

8. MUTE BUTTON

Press it to reduce the volume level immediately.

9. TUNING KNOB

Rotate it to select your desired broadcasting station.

10. LOC BUTTON

Press it to select distance reception or local reception. Local control is no effect at AM BAND

11. MODE BUTTON

Press it in between CD or radio function.

12. ▷|| (CD PLAY, PAUSE) BUTTON

At tuner mode, press ▷|| button to switch to CD mode. At CD mode, press it to pause the CD playing and press it again to resume CD playback.

13. RPT BUTTON

During CD mode, press RPT button to repeat a single track.

14. STOP BUTTON

Press it for stop CD playing.

15. BALANCE BUTTON

Slide it to get you desired sound balance between left channel and right channel.

16,17. TRACK UP/DOWN BUTTONS

- a. During CD mode, press »| button to allow you to track forward.
Hold the »| button to allow you to skip forward.
- b. During CD mode, press «| button to allow you to track backward.
Hold the «| button to allow you to skip backward.

18. FM LIGHT

The frequency in the FM station ,the FM light be lighted.

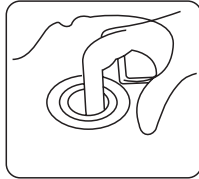
19. AM LIGHT

The frequency in the AM station ,the AM light be lighted.

DISC PLAY:

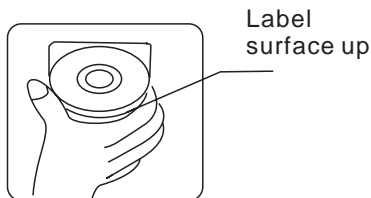
Cleaning discs

Before playing, clean the disc with a clean, lint-free, soft cloth. Flip the disc in the direction of the arrow.



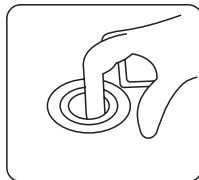
Note:

- Do not use solvents such as benzene, thinners, commercially available cleaners or anti static spray damage the unit:
insert a disc with the label surface down, Doing so may damage the unit.



Note:

- Do not try to insert another disc when one has been already inserted. Doing so may damage the unit.
- Handle the disc by its edge. And to keep the disc clean do not touch the surface.



- Do not stick paper or tape on the disc..

Do not expose the disc to direct sunlight or heat sources such as hot air Ducts. or leave it in a car parked in direct sunlight where there can be a

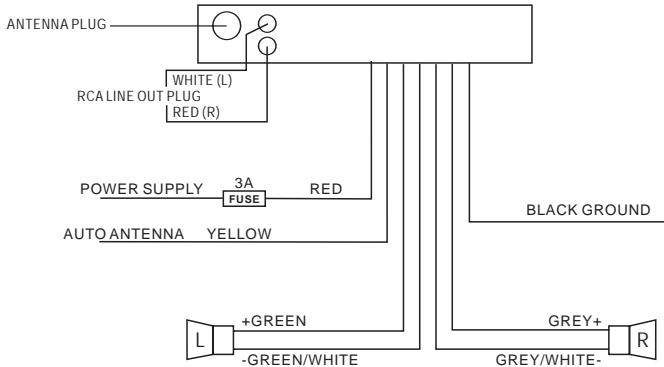
TROUBLE SHOOTING

Before going through the check list, wiring connection, should any of the problem persist after check list has been made , consult your nearest service dealer.

Symptom	Cause	Solution
No power	The car ignition is not on.	If the power supply is properly connected to the car accessory switch the ignition key to "ACC"
	The fuse is blown	Replace the fuse
Disc cannot be loaded or ejected	Presence of CD disc inside the player	Remove the disc in the player then put a new upward
	Inserting the disc in upside down	Insert the compact disc with the label facing upward
	Compact disc is extremely dirty or defective	Clean the disc or try to play a new one
	Temperature inside the car is to high	Cool off until the ambient temperature returns to normal
	Condensation	Leave the player off for an hour or so ,then try again
No sound	Volume is in minimum	Adjust volume to a desired level
	Wiring is not properly connected	Check wiring connection
Sound skips	The installation angle is more than 30 degrees	Adjust the installation angle to less than 30 degrees
	The disc is extremely dirty or defective	Clean the compact disc/try to play a new one
The radio does not work	The antenna cable is not connected the signals are to weak	Insert the antenna cable firmly Select a station manually

SPEAKER CONNECTION

Speaker connection



NOTE:

In spite of having any kinds of speaker system ,must use 4 ohms impedance of speaker to reduce the distortion during high volume level.

SPECIFICATION

GENERAL

Power requirement-----DC 13.8V negative ground

Current consumption-----3A MAX.

Maximum output power-----2 x 50 Watts

FM SECTION

Frequency range-----88MHz-108MHz

Usable sensitivity-----10uV.

IF Frequency-----10.7MHz

AM SECTION

Frequency range-----540KHz-1600KHz

LINE -OUT

Output-----250mV@FM10%THD POWER.

Impedance-----600ohm.

CD PLAYER

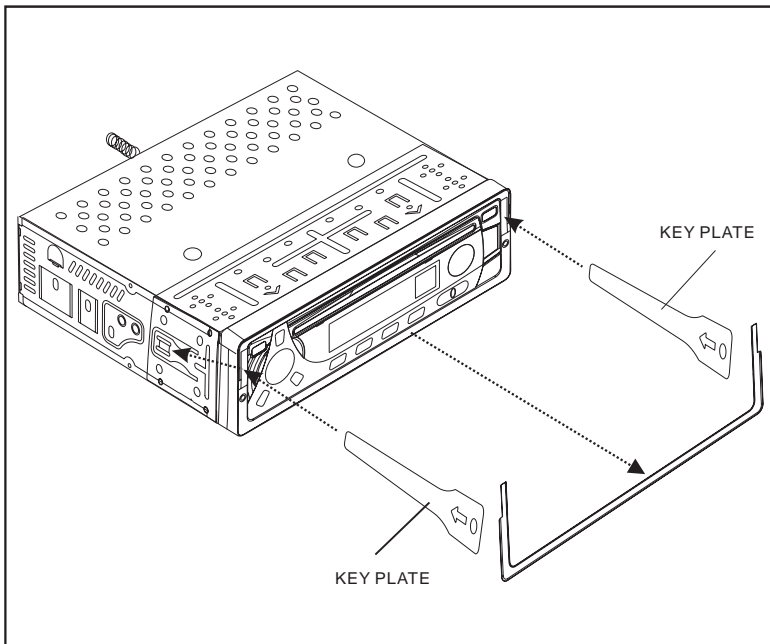
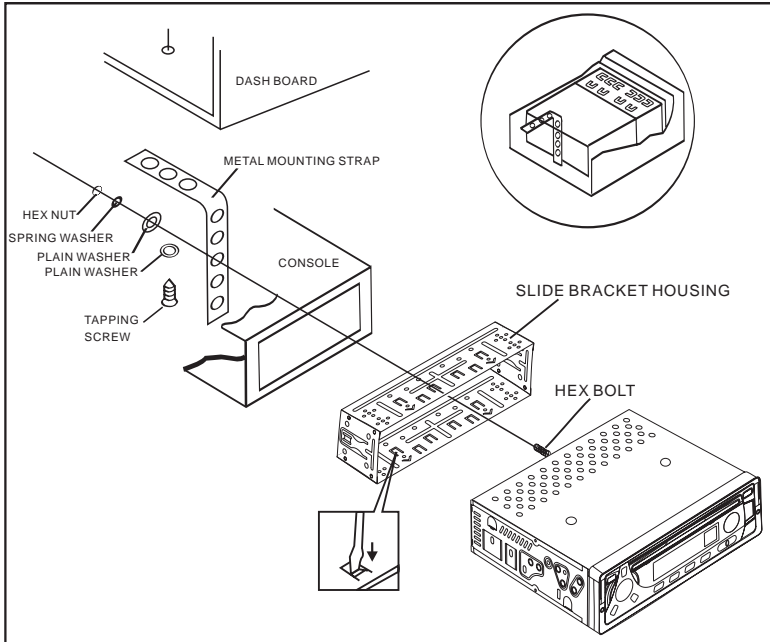
System-----compact disc audio system.

Usable disc-----compact disc.

Signal to noise radio -----70dB[1KHz] [IEC-A net work].

Chassis dimensions-----183[W]X53[H]X160[D].

INSTALLATION



Free Manuals Download Website

<http://myh66.com>

<http://usermanuals.us>

<http://www.somanuals.com>

<http://www.4manuals.cc>

<http://www.manual-lib.com>

<http://www.404manual.com>

<http://www.luxmanual.com>

<http://aubethermostatmanual.com>

Golf course search by state

<http://golfingnear.com>

Email search by domain

<http://emailbydomain.com>

Auto manuals search

<http://auto.somanuals.com>

TV manuals search

<http://tv.somanuals.com>