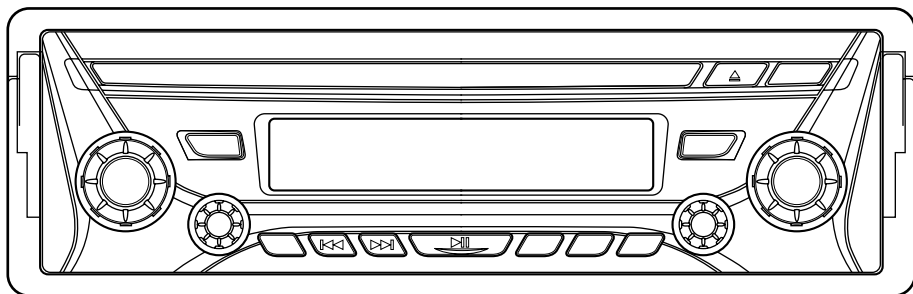


LEGACY[®]

OWNER'S MANUAL

LCD36



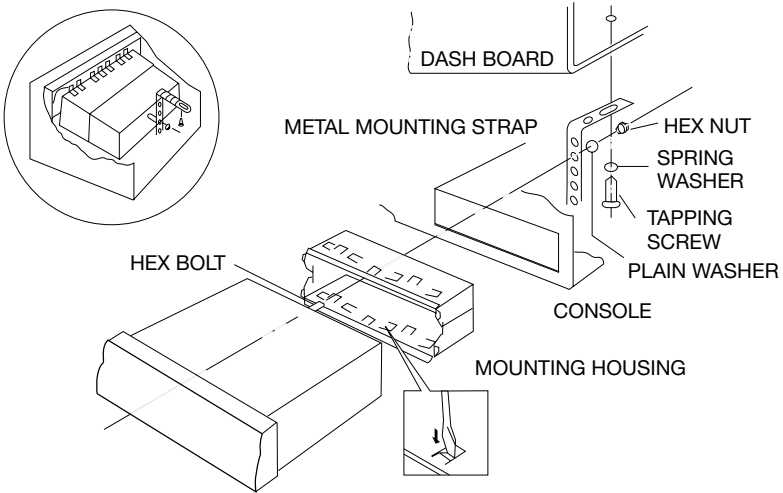
**MANUALLY TUNED STEREO RADIO WITH
COMPACT DISC PLAYER DIGITAL**

CONTENTS

Installation	3
Remove The Unit From The Dash Board	4
Operation	5
General Operation	5
Radio Operation	6
CD Operation.....	7
Wiring Connection	8
Specification.....	8

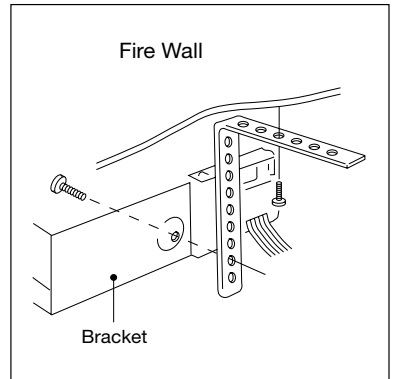
INSTALLATION

Here is the installation diagram.



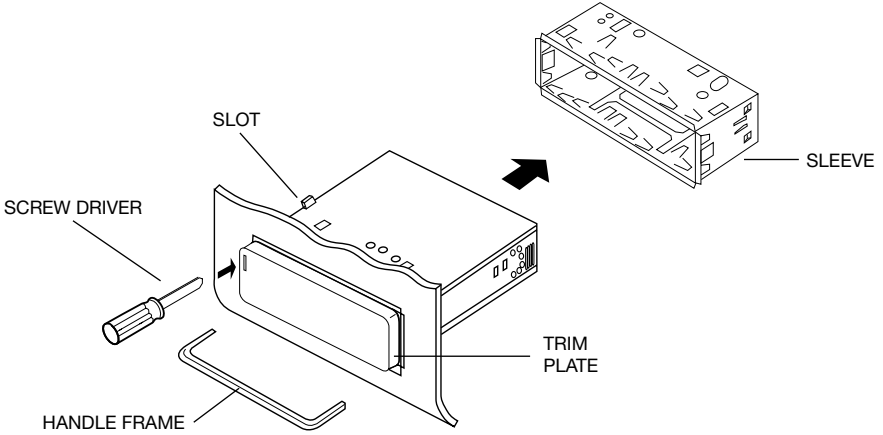
Precautions

1. Choose the mounting location where the unit will not interfere with the normal driving functions of the driver.
2. Avoid installing the unit where it would be subject to high temperature, such as from direct sunlight, or from hot air, from the heater, or where it would be subject to dust, dirt or excessive vibration.
3. For safe installation, use the mounting hardware provided by the manufacturer.

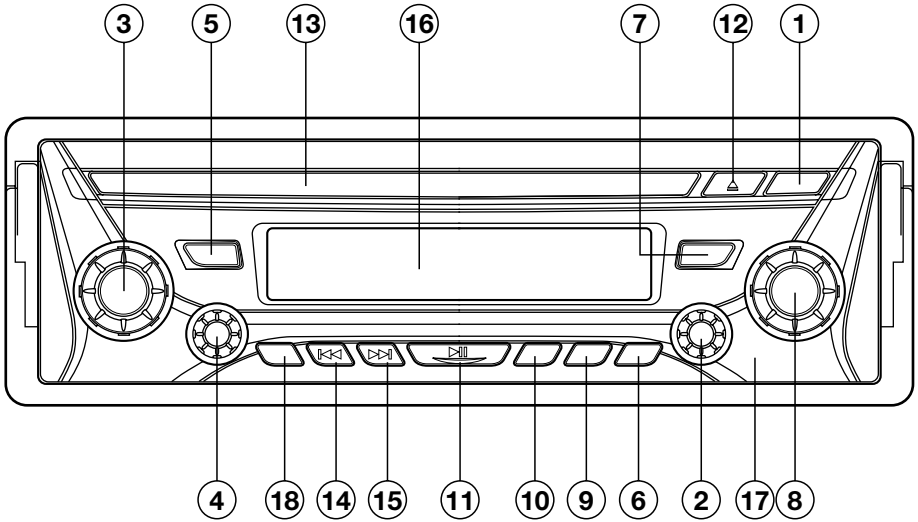


REMOVE THE UNIT FROM THE DASH BOARD

1. Remove the metal strap attached to the back of the unit.
2. Disconnect all the wires of the unit and the antenna plug.
3. Remove the handle frame from the trim plate.
4. Insert the screw driver into the slot as shown, and slide the unit out of the dash board while holding the trim plate.
5. Remove the screw driver from the slot.



OPERATION



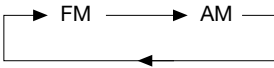
GENERAL OPERATION

- **ON/OFF**
Press **POWWR** button (1) to turn on the unit. Press it again to turn it off.
- **BALANCE**
Rotate the button (2) clockwise or anti-clockwise to adjust sound balance between left and right speakers.
- **VOLUME**
Rotate the button (3) clockwise or anti-clockwise to adjust volume level.
- **TONE CONTROL**
Rotate the button (4) clockwise or anti-clockwise to obtain the desired sound quality.
- **SELECT MODE**
Press **MOD** button (5) to change radio or CD mode.
- **LIQUID CRYSTAL DISPLAY**
The **LCD** (16) can show the current state of the unit.
- **RESET BUTTON FUNCTION**
RESET button (17) is placed on the housing and must be activated with either a ballpoint pen or thin metal object. The **RESET** button (17) is to be activated for the following reasons:
 - Initial installation of the unit when all wiring is completed.
 - All the function buttons do not operate.
 - Error symbol on the display.

RADIO OPERATION

- **BAND**

Press **BND** button **(7)** to change bands as below:



- **SELECT STATION**

Rotate the **TUNING** knob **(8)** clockwise or anti-clockwise to adjust the frequency upward or downward.

- **LOCAL/DISTANT**

Press the **LOC/RPT** button **(9)** to select between local setting for reception of strong station and distant setting for reception of weak stations when tuning.

- **MONO/STEREO**


In FM band, press **MON/INT** button **(10)** to select mono or stereo reception for radio stations. You can sometimes improve reception of distant stations by selecting mono operation.

CD OPERATION


- **DISC PLAY**

Gently insert a compact disc with the label side facing up into the disc slot **(13)**. The disc is then automatically loaded into the unit and starts playing with the first track of the disc. The digital display will indicate the track number and the time of the track.



- **EJECT**

Press  (eject) button **(12)** to stop CD play and eject CD from the slot. Receiver switches to radio operation.



- **PAUSE CD**

During CD playing, press  button **(11)** to temporarily stop playing. Press it again to resume playback.

- **SKIP TRACKS**

Press  button **(15)** or  button **(14)** to choose the following track or the previous track. Track numbers show on the display.

- **FAST FORWARD AND FAST REVERSE**

Hold  button **(15)** or  button **(14)** for several seconds to fast forward or fast reverse. Releasing the button to stop fast playing.

- **REPEAT**

During CD operation, press **LOC/RPT** button **(9)** to continuously repeat playing the current track. Press it again to release the mode.

- **INTRO: PREVIEW ALL TRACKS**

During CD operation, press **MON/INT** button **(10)** to play first several seconds of each track. Press it again to stop intro and listen to track.

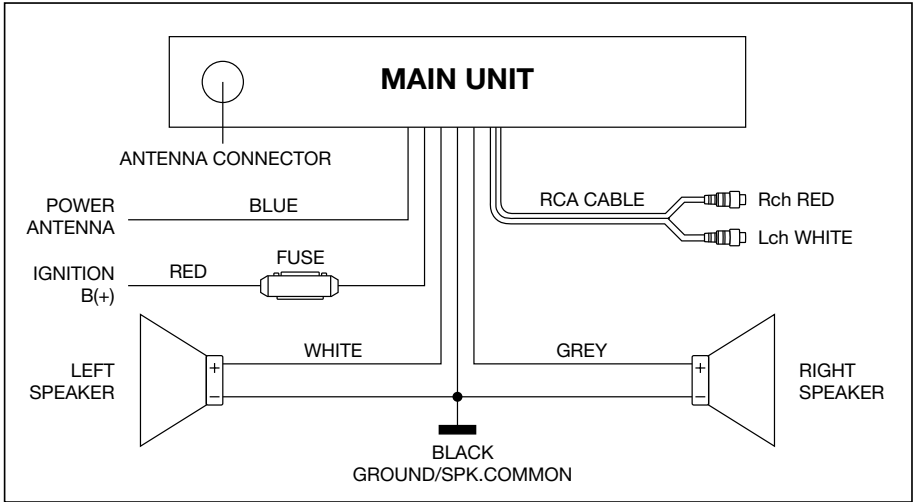
- **RANDOM: PLAY ALL TRACKS IN THE RANDOM ORDER**

During CD operation, press and hold **RND** button **(6)** for several seconds to play all tracks in the random order. Press it again to cancel the function.

- **MUT (MUTE)**

Press the **MUT** button **(18)** to cut down the sound output and LCD display will indicate **"MUTE"**. Press it again to release the mode and recover the previous volume level.

WIRING CONNECTION



SPECIFICATION

General

Power Supply Requirements	: DC 12 Volts, Negative Ground
Chassis Dimensions	: 178 (W) x 163 (D) x 51 (H) mm
Maximum Output Power	: 7 W X 2

CD Player

Signal to Noise Ratio	: More than 60 dB
Channel Separation	: More than 60 dB
Frequency Response	: 100 Hz - 15 KHz

Radio Section

FM

Frequency Range	: 88 MHz – 108 MHz
Intermediate Frequency	: 10.7 MHz
Usable Sensitivity (Mono)	: Better than 25 dBu
Stereo Separation at 1 KHz	: More than 24 dB

AM

Frequency Range	: 530 KHz – 1710 KHz
Intermediate Frequency	: 455 KHz
Usable Sensitivity (S/N 20 dB)	: Better than 42 dBu

Free Manuals Download Website

<http://myh66.com>

<http://usermanuals.us>

<http://www.somanuals.com>

<http://www.4manuals.cc>

<http://www.manual-lib.com>

<http://www.404manual.com>

<http://www.luxmanual.com>

<http://aubethermostatmanual.com>

Golf course search by state

<http://golfingnear.com>

Email search by domain

<http://emailbydomain.com>

Auto manuals search

<http://auto.somanuals.com>

TV manuals search

<http://tv.somanuals.com>