

LEGACY

LCD75DFX

SPECIFICATION

GENERAL

Supply Voltage DC 13.8V. Negative Ground
Current Consumption Max. 7A
Power Output 40W X 4.
Unit Dimensions 178[W] X 50[H] X 165[D] mm.

FM SECTION

Frequency range 87.5MHz -107.9MHz (USA)
87.5MHz -108.0MHz (EUR)
Effective sensitivity 3uV.
I.F Frequency 10.7MHz.

AM SECTION

Frequency range 530KHz - 1710KHz (USA)
522KHz - 1620KHz (EUR)
I.F Frequency 450KHz

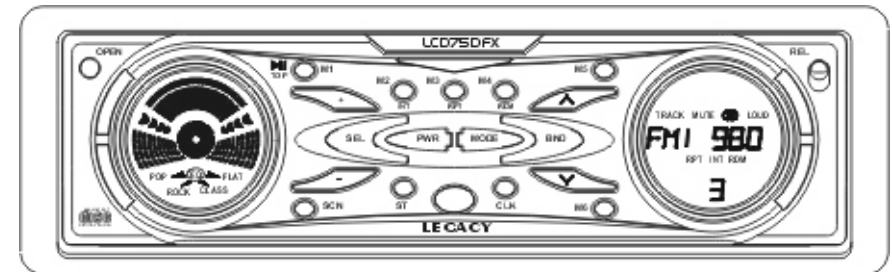
RCA LINE OUT (OPTION)

Output CD Max. 1200mv

CD PLAYER

System Compact Disc Audio System.
Suitable CDs CD/CD-R/CD-RW Disc
Signal format Sampling frequency 44.1KHz.
No. of quantization bits 1bit.
Frequency characteristics 20-100Hz ≤ 5dB
10-20KHz ≤ 5dB.
S/N Ratio to CD 50dB [1KHz]
Number of channels 2 STEREO channels.

INSTRUCTION MANUAL



**ANTI-THEFT FLIP DOWN DETACHABLE SYSTEM
AUTO-LOADING COMPACT DISC PLAYER
AM/FM-STEREO DIGITAL PLL TUNING RADIO
WITH INFRARED REMOTE CONTROLLER**

DEAR CUSTOMER:

Thank you for your purchase and confidence in all kinds of audio-visual products of ours. Selecting fine audio equipment such as the unit you have just purchased is only the start of your musical enjoyment. Now it is time to consider how you can maximize the fun and excitement your equipment offers.

We hope you get the most out of your equipment by playing it at a safe level.

One that lets the sound comes through loud and clear without annoying blare or distortion, and, more important, without affecting your sensitive hearing.

Sound can be misled. Over time your hearing " comfort level " adapts to higher volumes of sound. So what sounds " normal " can actually be loud and harmful to your hearing.

Guard against this by setting your equipment at a safe level BEFORE your hearing adapts.

- To establish a safe level:

Start your volume control at the lowest setting , then slowly increase the sound until you can hear it comfortably and clearly, and without distortion we want you listening for a lifetime.

- Once you have established a comfortable sound level:

Set the dial and leave it there.

Taking a minute to do this now will help to prevent hearing damage or loss in the future. After all, we want you listening for a lifetime.

- ABOUT THIS MANUAL

This product features a number of sophisticated functions ensuring superior reception and operation. All are designed for the easiest possible use, but many are not self-explanatory. This operation manual is intended to help you benefit fully from their potential and to maximize your listening enjoyment.

- We recommend that you familiarize yourself with the functions and their operation by reading through the manual before you begin using this product. In this operation manual, the Basic Operation for each sound source is outlined at the beginning of its explanation, covering simple operation for that source, such as merely playing music.

TROUBLE SHOOTING

Before using the check list please make all the connections first.

If you still have questions after going through the checklist, please consult your local customer service representative.

Common Symptoms	Cause	Solution
There is no power.	The car ignition is switched off.	If the power supply is properly connected to the car accessory, switch the ignition key to " ON " or " ACC " .
	The fuse has blown.	Replace another fuse according to the wiring diagram.
The CDs cannot be loaded.	Presence of CD disc inside the player	Remove the disc in the player then put a new upward
The CDs are loaded only halfway into the CD tray.	The transport screws have not been removed.	Remove the transport screws before using.
The device does not work correctly (EJECT, LOAD, PLAY)	Inserting the disc in upside down	Insert the compact disc with the label facing upward
	The surface of CD is extremely dirty or it is damaged.	Clean the CD or try another CD, if this works correctly, the first CD is properly damaged.
	Temperature inside the car is too high.	Cool off until the ambient temperature returns to normal
There is no sound.	The volume control is set too low.	Turn up the volume properly.
	The device has not been correctly connected.	Check the power and earth connection according to the wiring diagram.
The operation keys do not work	1.The built-in microcomputer is not operating properly due to noise 2.Front panel is not properly fix into its place	1. Switch the device off and on again. Or press the RESET button to resume the program. 2. Reinstall the front panel
The sound of the CD player skips	The installation angle is more than 30 degrees	Adjust the installation angle to less than 30 degrees
	The surface of the road is uneven.	Wait until the road becomes smoother before playing the CD.
	The surface of CD is extremely dirty or it is damaged.	Clean the CD or try another CD, if this works correctly, the first CD is properly damaged.
No radio reception.	The antenna cable is not connected.	Insert the antenna cable firmly into the antenna socket of the device.
In automatic search mode the radio does not stop at a transmitting station.	The transmission signals are too weak.	Tune in to a radio station manually.

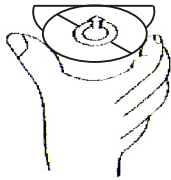
PRECAUTION OF DISC PLAY:

Cleaning the CD:

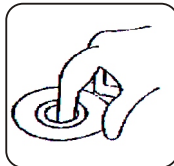
Before playing a CD, wipe it off with a clean, dust-free cleaning cloth. Wipe the disc in the direction of the arrow.



Always insert the CD with the label side facing upwards. If the CD is inserted with the printed side facing downwards, the device may be damaged.



Note: If there is already a CD in the CD slot, do not try to insert a second CD. For this may damage the device. Always hold CDs by the edge. In order to keep the CD clean do not touch the surface. Pull out the CD as the direction of follows.



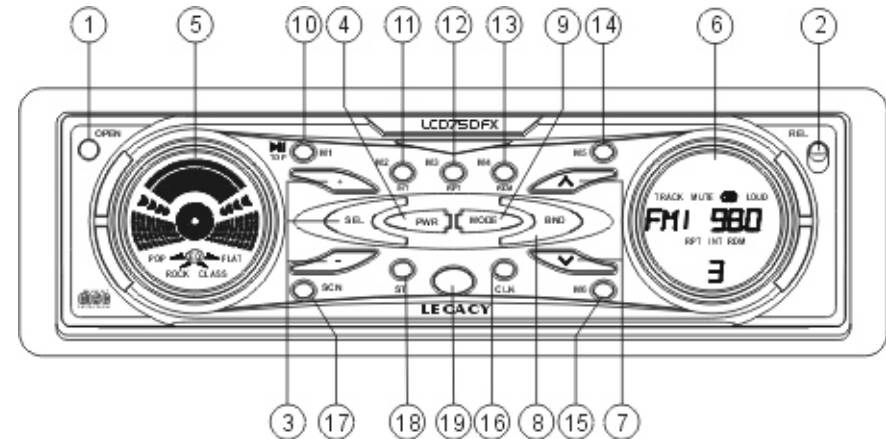
Do not attach any sticker or adhesive tape on the CD.

Do not expose the CD to direct sunlight or sources of heat such as heating pipes.

Do not leave CDs in a car if it parked in direct sunlight as that will lead to a considerable rise in the temperature inside the car.

Note: Do not use any solvents such as petrol or thinning agents. Commercially available cleaning substances or antistatic spray will damage the device.

BASIC OPERATING OF FUNCTIONAL KEYS



1. OPEN BUTTON

Press the **OPEN** button to fold down the front control panel. Then a CD can be inserted into the CD slot or ejected by pressing the **EJECT** button.

2. RELEASE BUTTON

To remove the front control panel from the main body, poke at the **REL** button downward to eject the front control panel.

3. SEL BUTTON (Select) AND +/- BUTTONS

a) Press the **SEL** button briefly to select the mode of sound mode item by item, such as **VOLUME**, **BASS**, **TREBLE**, **BALANCE** and **FADER**. Now the settings of them can be adjusted by using the **+** and **-** button. (Note: If equalizer settings such as **POP** and **ROCK** have been selected under **DSP**, it is impossible to change to **BASS** and **TREBLE**.)

b) Press the **SEL** button and hold for more than 1 second to access the menu mode. Now press the **SEL** button briefly to select the menu mode as follows: **DSP (OFF / POP M / ROCK M / CLASS M / FLAT M)**, **BEEP ON/OFF**, **SEEK 1/2**, **VOL LAST/ADJ**.

DSP

In **DSP** mode you can select the equalizer settings **POP M**, **ROCK M**, **CLASS M** and **FLAT M**, and **DSP OFF** by using the **+** and **-** button.

BEEP ON/OFF

You can select two types of confirmation beep by using the **+** / **-** button. **BEEP ON:** The confirmation beep can be heard whenever a button is pressed.

BEEP OFF: The confirmation beep is switch off.

SEEK 1/2 (only available during radio operation)

Seek function with the \wedge or \vee button during radio operation.

You can select SEEK 1/SEEK 2 by using the +/- button.

SEEK 1: Keep the \wedge or \vee buttons pressed down and the radio will stop at the next station that is detected.

SEEK 2: As long as the \wedge or \vee buttons are pressed down the search function will continue in the frequency band.

VOL LAST/VOL ADJ

You can select VOL LAST or VOL ADJ mode by using the +/- button.

VOL LAST: The radio switches on at the actual volume it had when it was last switched off.

VOL ADJ: Using the + and - buttons you can pre-select a constant switch-on volume.

4. POWER ON/OFF

Turn the device on by using any button except the OPEN and the REL button on the front control panel; Press PWR button and hold for approximate two seconds to turn power off.

5.6. LCD (Liquid Crystal Display)

7. TUNE, SEEK, TRACK, SKIP UP / DOWN BUTTONS

a) During RADIO mode:

press the \wedge or \vee button briefly to tune a frequency manually.

Press the \wedge or \vee button and hold for more than one second to start the automatic search for a radio station with a strong signal level.

(See also the function SEEK 1/SEEK 2.)

b) During CD mode:

press the \wedge button briefly to play next track. Press the \vee button

briefly to play the current track from the beginning of the current track.

Press the \vee button twice continuously to play the previous track.

Press the \wedge or \vee button hold to skip forward or backward.

8. BAND BUTTON

Press the BND button briefly to select the radio broadcasting band you would hear.

9. MODE BUTTON

Press the MODE button to select the CD playback or radio mode.

10-15. PRESET STATION MEMORY AND TOP, INT, RPT, RDM BUTTONS

a) During radio mode:

Press the six buttons briefly directly selects a preset radio station.

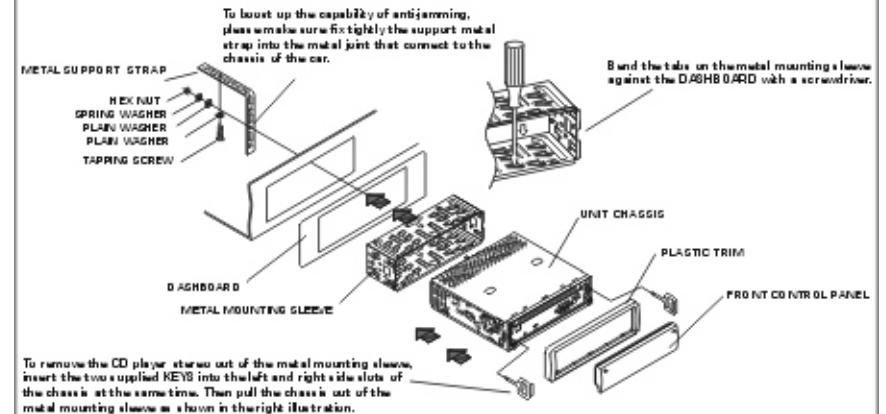
If the six buttons are pressed for more than 2 seconds, the station currently being listened to is memorized into the selected preset button.

INSTALLATION METHOD

This is an anti-theft installation method.

The main unit wears a METAL MOUNTING SLEEVE.

Please connect the wiring such as power supply, speakers and antenna according to the requirements of this operation manual, then install the metal slide housing into the car according to the following diagram.



NOTE

Before mounting and operating the CD player, remove the metal mounting sleeve illustrated by the arrows.

Remove the two screws that protect the CD player during transportation before operating the player.

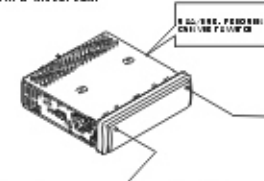
To attach the removable faceplate, insert the left side of the faceplate into the left of the CD player chassis first. Then push the right side of the faceplate into the chassis until you hear a 'click'.



Push this reset button with a cuspidal object to re-activate the distorted program once the program is distorted.

RESET BUTTON
IMPORTANT:

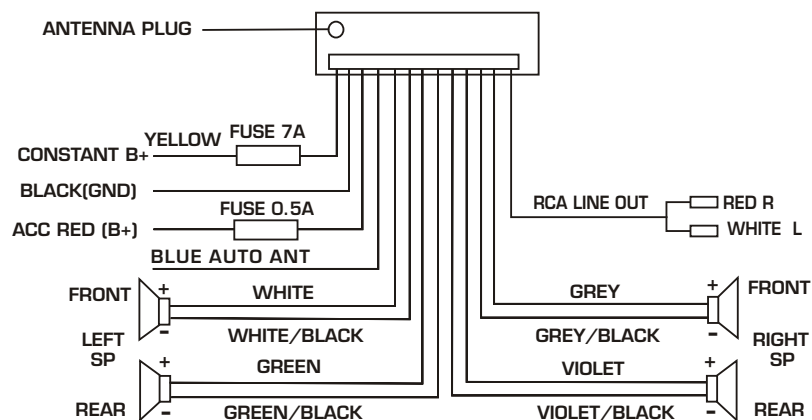
This receiver is set to US frequency by manufacturer. If European frequency is required, please flip the frequency convert switch on the left side of the unit before installation. After the switchover of the frequency switch, the frequency convert function will not be valid until the RESET button has been pressed. (The RESET button is in the rear facet of the front control panel)



To draw the front panel out of the chassis, please push the REL button downward to eject the front panel from the unit.

Before insert disc into compartment or eject disc out of the compartment, press the OPEN BUTTON to flip down the front panel.

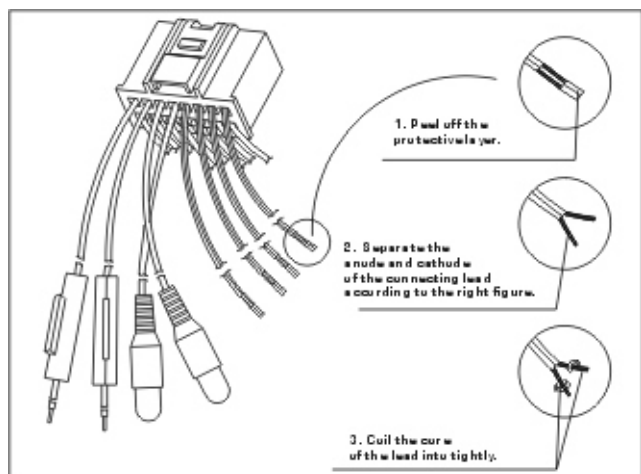
WIRING DIAGRAM



Note:

Make sure use a speaker with 4 ohm impedance to reduce the distortion during high volume level.

For connecting speaker harness better and prevent to short circuit, please have connecting refer to the process as follow.



b) During CD mode:

- Press the TOP button briefly to interrupt the playback of the CD. Press again to resume normal playback of the CD.
- Press the TOP button and hold for approximately 2 seconds to play the first track of the current disc.
- Press the INT button to play the first 10 seconds part of each track. Press again to stop scan, while the currently selected track will be played.
- Press the RPT button to play the current track repeatedly. Press again to cancel this function.
- Press the RDM button to play all tracks on disc in random. Press again to cancel this function.

16. CLOCK BUTTON

Press the CLK button briefly to display time on the display, then press the CLK button and hold until the real time flashes on the display. And then press the + or - button to adjust HOUR or MINUTE.

17. SCAN BUTTON

Press the SCN button to scan the radio frequency. If a valid signal has detected, the current frequency will be hold and blinked for 5 seconds, then press SCN again to stop scan and remain the current frequency; otherwise, the radio will go on to scan the other radio frequency five seconds later.

18. ST/MO BUTTON

During radio mode, press the ST briefly to select stereo or mono sound mode.

19. INFRARED REMOTE CONTROL SENSOR

OPERATION OF REMOTE CONTROL:

Note:

Before use this remote control, please make sure turn on the device by pressing the power button on the front control panel.

1. Power On/Off. 2. Mute Button

3. Loudness Button

Press this button briefly to enhance the bass effect while the volume is low. Press again to cancel the loudness effect.

4. Level/MENU UP Button

5. SEL/MENU Button

6. Level/MENU Down Button 7. MO/ST Button

8. A.P Button 9. Band Button 10. Mode Button

11. Tune/Seek Up And Track Skip Up/FF Button

12. Tune/Seek Down And Track Skip Down/REW Button

13. SCAN BUTTON 14. Clock Display /Setting Button

15. LO/DX Button

At radio mode, press it to change local reception or distance reception. And the LOC will showing on the LCD display when the receiver detect some signal of stable local station.

Note: This operation is only effective on FM reception. During AM mode, LOC is ineffective.

16. CD Track TOP/Radio Preset 1

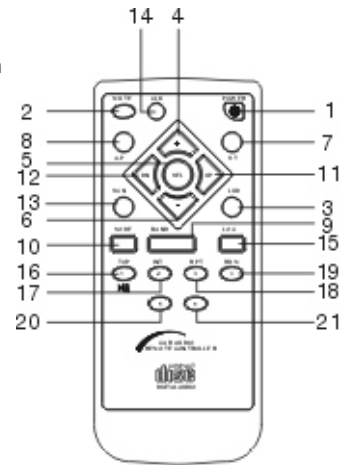
17. CD Track INT/Radio Preset 2

18. CD Track RPT/Radio Preset 3

19. CD Track RDM/Radio Preset 4

20. Radio Preset 5

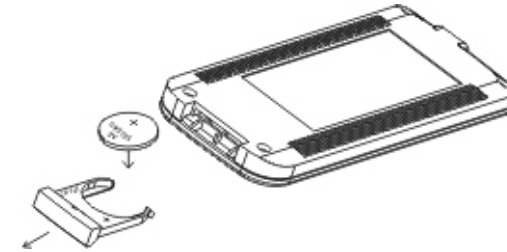
21. Radio Preset 6



The Maintenance of Remote Control

REPLACE THE BATTERY OF REMOTE CONTROL:

1. Remove the battery holder as the direction indicated by the arrow.
2. Replace the battery, Set a new battery properly with (+) side up.
3. Insert the battery holder. Push in the holder to the original position.



BATTERY INFORMATION:

Designated Battery: CR2025 3V

Battery Life: 6 months with normal use in normal room temperature, and the out of date battery must be immediately removed and disposed properly.

CAUTION:

- Improper use of batteries may cause overheating, explosion or ignition, and resulting in injury or fire .
- Battery leakage may cause damage to the unit.
- Do not disassemble or short the batteries.
- Do not throw the batteries into the fire.
- To avoid the risk of accident, keep the batteries out of reach of children.

Free Manuals Download Website

<http://myh66.com>

<http://usermanuals.us>

<http://www.somanuals.com>

<http://www.4manuals.cc>

<http://www.manual-lib.com>

<http://www.404manual.com>

<http://www.luxmanual.com>

<http://aubethermostatmanual.com>

Golf course search by state

<http://golfingnear.com>

Email search by domain

<http://emailbydomain.com>

Auto manuals search

<http://auto.somanuals.com>

TV manuals search

<http://tv.somanuals.com>