

LCA series

OWNER'S MANUAL

CAR AUDIO ACCESSORY



Digital Power Capacitor

- ELECTROLYTIC POWER SUPPLY ◆
- COMPUTER CONTROLLED ON/OFF ◆
- ELECTRONIC VOLTAGE DISPLAY ◆
- Capacitance $\pm 5\%$, 105°C ◆
- lowest E.S.R. ($\leq 0.0016 \text{ OHM}$) ◆
- Strong finishing for a better installation result ◆
- 1 pair of clear brackets included ◆
- Chrome plated post kits ◆

WHAT DO YOU NEED A CAPACITOR FOR?

today's car audio amplifiers need huge amounts of current. often the sound possible from your system! As quick it discharges, it will recharge, ready for he big hit! Get all amplifier needs current, a LEGACY capacitor can provide it .plus, allows it to give up that current extremely fast. As quick as your up short. A capacitor stores current. Its super low internal resistance to reproduce all of the music making it to your system an you coming are playing your system very loud, there may not be enough energy operating at 70% of full capacity. When a big bass note hits, or you conditioner running, the factory charging system may already be vehicle's electrical system is unable to provide it. with your car's air

INSTALLATION

Make sure your as car audio system is properly fused. You should have a system fuse for all components, the fuse should be installed within 18 inches of the battery. Connect this fused power wire to the positive terminal.

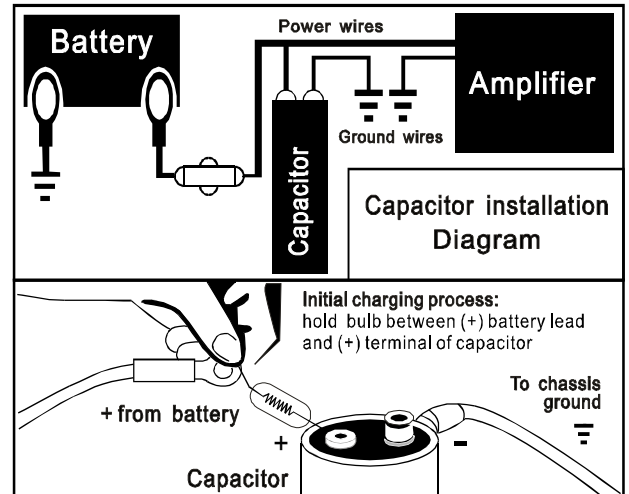
Use another wire from the positive terminal to your amplifier(s) positive supply terminal.

The ground wire from the amplifier(s) should be connected to the capacitor's negative terminal.

A single wire from the capacitor's negative terminal should be connected to your vehicle's chassis ground.

This completes the wiring.

SEE INSTALLATION DIAGRAM.



Note: Capacitors are most effective when there is a 18" (0.5m) or less of wire between the cap and the amplifier(s).

CAUTION:

Large electrolytic capacitors do not like heat, oil, grease, water, or mistreatment. If the capacitor housing is deformed during installation, many layers of foil material may be damaged inside the capacitor and it should not be installed. Install in a safe, dry location within 18" (0.5m) of the amplifier. Observe correct polarity: positive terminal is marked with a (+) symbol, negative terminal is not marked. Do not block the vent plug on top of cap. If the capacitor is wired in reverse of marking on the cap top the electrolytic fluid inside the capacitor will vent, possibly causing damage to the interior of your vehicle.

CHARGING

NOTE:
THE CAPACITOR MUST BE CHARGED PRIOR TO INSTALLATION!

The supplied charging bulb (included in the package) is used when initially charging the Cap. the charging process is accomplished by connecting the charging bulb in series between the battery's positive post and the capacitor's positive terminal. (please refer to the diagram below). it is very important to follow this process to eliminate the possibility of damaging the cap/battery, and other audio devices. The charging process is complete when the voltage of the capacitor reaches the same voltage as your vehicle's battery. This process will take a matter of seconds to complete. You can use a voltage meter to check the voltage across your battery and cap. when the voltages are the same on both (cap and battery), the cap has been fully charged. The charging bulb actually eliminates the need for the volt meter, when the cap is fully charged (cap and battery have same voltage) the bulb will go either dim or fully out.

DISCHARGING

the capacitor must be discharged when the capacitor is removed from the system. place the same bulb which was used in charging across the terminals of the capacitor to eliminate the stored power. The capacitor will be fully discharged within a few seconds noted by the bulb going out. It is now safe to store your a capacitor.

WARRANTY

1 year (except in the event the vent is blown or leaking due to reversed polarity or the cap has stripped screws or terminals)

SPECIFICATION

MODEL	CAPACITANCE	VOLTAGE	DIMENSION
LCA-120DBL	1.2Farad	20-24V	Dia. 3.0" x h. 8.86"
LCA-240DBL	2.4Farad	20-24V	Dia. 3.5" x h. 8.86"
LCA-160SL	1.6Farad	16-20V	Dia. 3.0" x h. 8.86"
LCA-280SL	2.8Farad	16-20V	Dia. 3.5" x h. 8.86"
LCA-500SL	5.0Farad	16-20V	Dia. 3.5" x h. 8.86"



Free Manuals Download Website

<http://myh66.com>

<http://usermanuals.us>

<http://www.somanuals.com>

<http://www.4manuals.cc>

<http://www.manual-lib.com>

<http://www.404manual.com>

<http://www.luxmanual.com>

<http://aubethermostatmanual.com>

Golf course search by state

<http://golfingnear.com>

Email search by domain

<http://emailbydomain.com>

Auto manuals search

<http://auto.somanuals.com>

TV manuals search

<http://tv.somanuals.com>