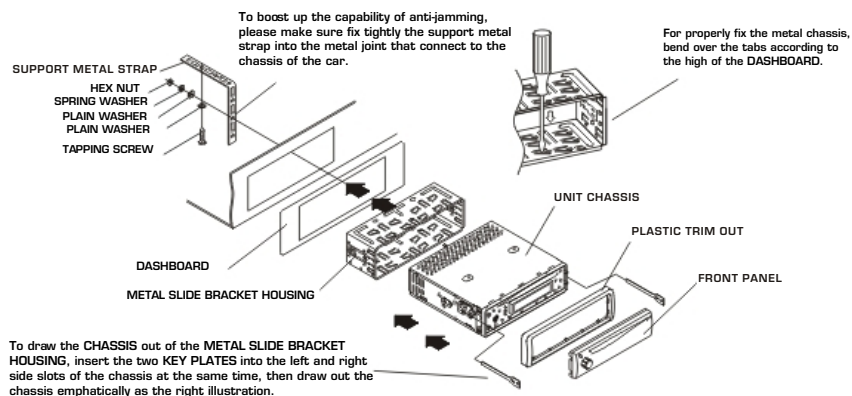
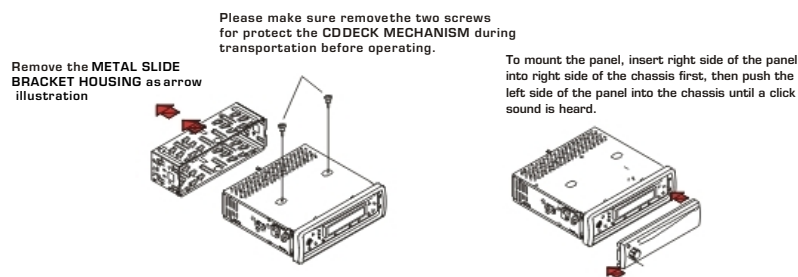


## INSTALLATION METHOD

This is an anti-theft installation method.  
The main unit wears a **METAL SLIDE BRACKET HOUSING**.  
Please connect the wiring such as power supply, speakers and antenna according to the requirements of this operation manual, then install the metal slide housing into the car according to the following diagram.

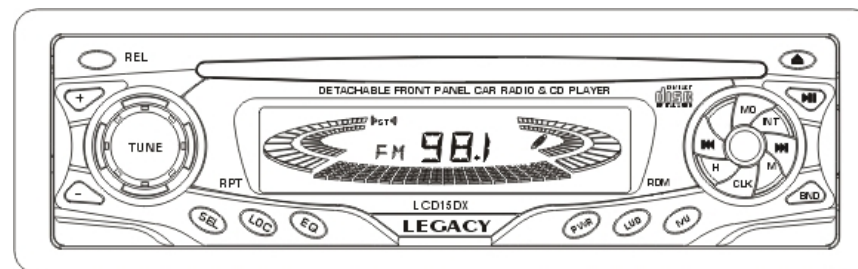


### NOTE



# LEGACY

## INSTRUCTION MANUAL

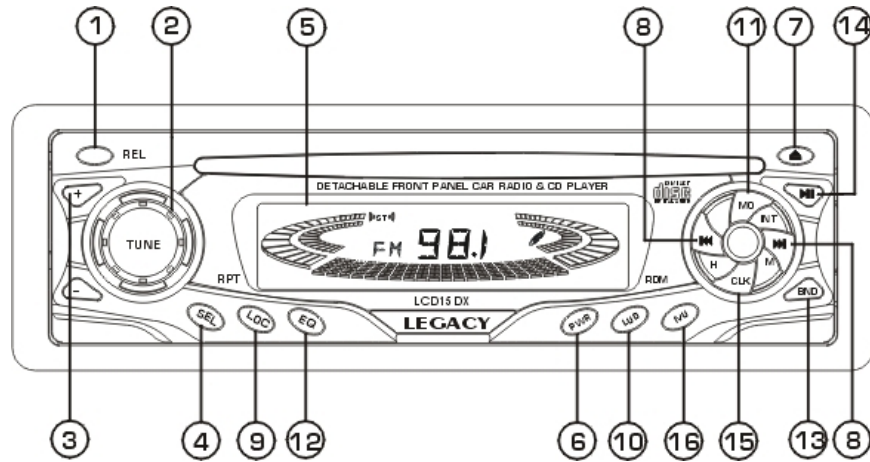


**ANTI-THEFT DETACHABLE SYSTEM  
AUTO-LOADING COMPACT DISC PLAYER  
WITH AM/FM STEREO MANUAL TUNING RADIO**

**MODEL:LCD15DX**

[WWW.legacycaraudio.com](http://WWW.legacycaraudio.com)

## LOCATION AND FUNCTION OF CONTROLS



### 1. RELEASE BUTTON

Press this button to release the front panel when you want to take it away for safekeeping.

### 2. TUNING CONTROL

Rotate this control at radio mode to select your desired radio broadcasting station. And the frequency which has been selected will appear on the display.

### 3.4. SEL[ AUDIO MODE SELECT]/VOLUME V.+/V.- BUTTON

Press SEL button to change the mode in sequence as follows:

VOL → BAS → TRE → BAL → FAD → VOL

- The volume can be adjusted at any time by pressing the audio level V.+ or V.- button as select mode has been initially defaulted at volume mode.
- The volume can be also obtained by stepping through the SEL button, after the character VOL appeared on the LCD display, press V.+ or V.- button to adjust the volume.
- Press and hold the V.+ or V.- button to direct adjust the volume.

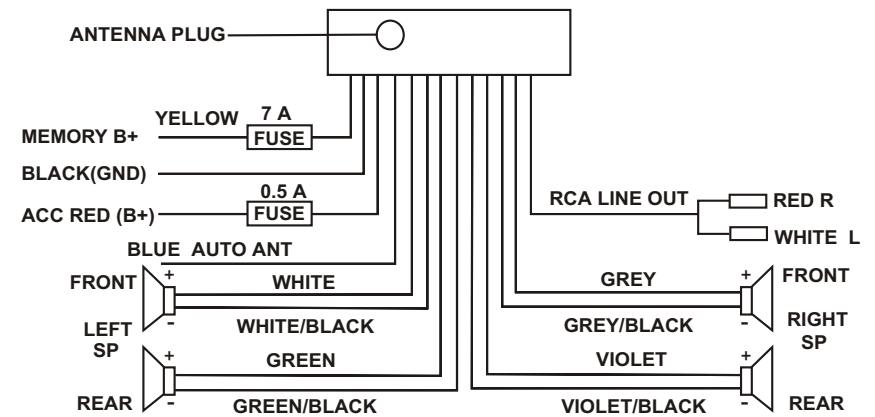
### BASS CONTROL (WITHOUT APPLY EQ)

- Press SEL button to select the bass mode until BAS appears on the display.
- Press V.+ or V.- to adjust the bass effect.

### TREBLE CONTROL (WITHOUT APPLY EQ)

- Press SEL button to select the treble mode until TRE appears on the display.
- Press V.+ or V.- to adjust the treble effect.

## WIRING DIAGRAM



### Note:

- Make sure use a speaker with 4 ohm load impedance to reduce the distortion during high volume level.
- Do not make the auto antenna wire and ground touch each other.

## SPECIFICATION

### GENERAL

Power requirement.....	DC 12V.
Current consumption.....	7A MAX.
POWER OUTPUT.....	4 X 7W.

### FM SECTION

Frequency range.....	88MHz -108MHz.
Usable sensitivity.....	10uV.
I.F Frequency.....	10.7MHz.

### AM SECTION

Frequency range.....	530KHz - 1700KHz.
----------------------	-------------------

### LINE - OUT [OPTION]

Output.....	250mV @ FM 10% THD POWER.
Impedance.....	600 ohm.

### CD PLAYER

System.....	compact disc audio system.
Usable disc.....	compact disc.
Signal format.....	sampling frequency 44.1KHz. No of quantization bits 1bit.

Frequency characteristics.....	5-40Hz ≤ 5dB 10K-20KHz ≤ 5dB.
Signal to noise ratio.....	70dB [1KHz] [IEC - A net work].
Chassis dimensions.....	183[W] X 53[H] X 160[D]mm.

## TROUBLE SHOOTING

To solve the common problems, refer to the Trouble Shooting List. If you still cannot solve the problem, consult your nearest service dealer.

Symptom	Cause	Solution
No power	The car ignition is not on.	If the power supply is properly connected to the car accessory switch the ignition key to " ACC "
	The fuse is blown	Replace the fuse
Disc cannot be loaded or ejected	Presence of CD disc inside the player	Remove the disc in the player then put a new upward
	Inserting the disc in upside down	Insert the compact disc with the label facing upward
	Compact disc is extremely dirty or defective	Clean the disc or try to play a new one
	Temperature inside the car is too high	Cool off until the ambient temperature returns to normal
No sound	Condensation	Leave the player off for an hour or so, then try again
	Volume is in minimum	Adjust volume to a desired level
Sound skips	Wiring is not properly connected	Check wiring connection
	The installation angle is more than 30 degrees	Adjust the installation angle to less than 30 degrees
The disc is extremely dirty or defective	The disc is extremely dirty or defective	Clean the compact disc/try to play a new one
	The antenna cable is not connected the signals are too weak	Insert the antenna cable firmly.

### BALANCE CONTROL

- Press SEL button to select the balance mode until BAL appears on the display.
- Press V.+ button or V.- button to adjust the audio output effect of left and right speaker.

### FADER CONTROL

- Press SEL button to select the balance mode until FAD appears on the display.
- Press V.+ button or V.- button to adjust the audio output effect of front and rear speaker.

## 5. LCD - LIQUID CRYSTAL DISPLAY

### 6. POWER BUTTON

Press this button to turn the power supply on or off.

### 7. EJECT KEY

Press this key to eject the CD DISC from the disc compartment.

### 8. TRACK UP/DOWN BUTTONS

During CD mode, press ◀◀ button to advance to previous track backwards. Hold the ◀◀ button to fast reverse the CD program. Release to resume CD playback.

During CD mode, press ▶▶ button to advance to next track forwards. Hold the ▶▶ button to fast forward the CD program. Release to resume CD playback.

### 9. LOC/RPT BUTTON

LOCAL/DISTANT MODE:(This operation is effective on FM reception only.)

At RADIO mode, press this button to switch between local and distant reception. And the character LOC will appear on the LCD display indicating reception locally.

Press LOC to improve local reception in some areas where the signal is too strong. Press LOC to improve distant reception when you are located at a weak signal location.

REPEAT MODE:

At CD mode, press this button to continuously repeat the same track. Press again to stop repeat.

### 10. LUD/RDM BUTTON

LUD MODE:

Press this button to enhance the bass output effect while reduce the volume. Press again to cancel loudness effect.

RDM MODE:

During CD mode, press RDM button and hold for 2 seconds to enter random playback mode, the RDM will appear on LCD, then press ▶▶ or ◀◀ to play all track on the current disc in random order, press RDM button and hold for 2 seconds again to exit this mode.

#### 11. MO/INT BUTTON

**MO/ST MODE:**(This operation is effective on FM reception only.)

During radio mode, press this button to change between mono and stereo modes. And the character ST will appear on the LCD display while there is a strong signal from an FM station that is broadcasting in stereo.

Mono improves the reception of the distant stereo FM stations.

**INT MODE:**

During CD mode, press this button to play the first 10 seconds of each track on the disc. Press again to exit INT mode and resume CD playback when your desired track appear.

#### 12. EQ BUTTON

Press this button to switch between 3 preset equalizer curves: POP, CLAS, ROCK. The audio output effect will be corresponding changed.

#### 13. BAND BUTTON

During CD playback, press this button once to switch to RADIO mode.

Then press this button for AM or FM reception.

And the character of corresponding band will be visible on the display.

#### 14. CD ▷|| ( CD PLAY, PAUSE) BUTTON

At RADIO mode, press ▷|| button to switch to CD mode.

At CD mode, press this button to suspend the CD playback and press again to resume normal CD playback.

#### 15. CLOCK DISPLAY AND SETTING BUTTON

During CD or RADIO mode, press CLK button once to display the real time.

With time appeared on the display, Press and hold CLK button for more than 2 seconds, until time flashes. and you can adjust HOUR and MINUTE by pressing

◀◀ button and ▶▶ button repeatedly.

#### 16. MUTE BUTTON

Press this button to suppress the audio output 100% immediately, press again to resume normal audio output.

#### IMPORTANT:

MEMORY WIRE ( FOR BACKUP) AND POWER WIRE CAN NOT BE SWITCHED OFF AT THE SAME TIME, ONCE IT HAPPENS, ALL THE FUNCTION WILL BE TOTALLY IN DISORDER (DISTORTED DISPLAY IS ALSO INDICATED ).

IF IT REALLY HAPPENS, PLEASE FOLLOW THE INSTRUCTIONS AS MENTIONED BELOW:

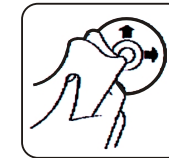
5 MINUTES LATER, PLEASE SWITCH ON THE MEMORY WIRE FIRST (CAN NOT PASS THROUGH IGNITION SWITCH) AND THEN SWITCH ON THE POWER. IT WILL RETURN TO NORMAL FUNCTION SOON.

## PRECAUTION OF DISC PLAY:

#### Cleaning discs

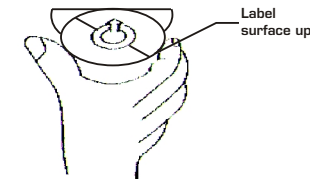
Before playing, clean the disc with a clean, lint-free.

Wipe the disc in the direction of the arrow.



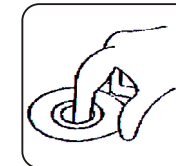
#### NOTE:

- Do not use so solvents such as benzine, thinners. Commercially available cleaners or anti static spray damage the unit.
- Do not insert a disc with the label surface down. Or may damage the unit.



#### NOTE:

- Do not try to insert another disc when one has been already inserted. Doing so may damage the unit.
- Handle the disc by its edge. And to keep the disc clean, do not touch the surface.



- Do not stick paper or tape on the disc.
- Do not expose the disc to direct sunlight or heat sources such as hot air ducts. Or leave it in a car parked in direct sunlight where there can be a considerable rise in temperature.

## Free Manuals Download Website

<http://myh66.com>

<http://usermanuals.us>

<http://www.somanuals.com>

<http://www.4manuals.cc>

<http://www.manual-lib.com>

<http://www.404manual.com>

<http://www.luxmanual.com>

<http://aubethermostatmanual.com>

Golf course search by state

<http://golfingnear.com>

Email search by domain

<http://emailbydomain.com>

Auto manuals search

<http://auto.somanuals.com>

TV manuals search

<http://tv.somanuals.com>