

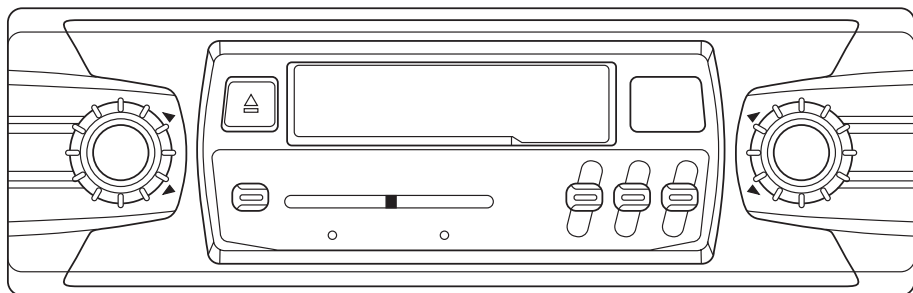
# LEGACY<sup>®</sup>

# LR121SX

## OWNER'S MANUAL

---

INDASH AM/FM MPX CAR RADIO  
WITH CASSETTE PLAYER



# CONTENTS

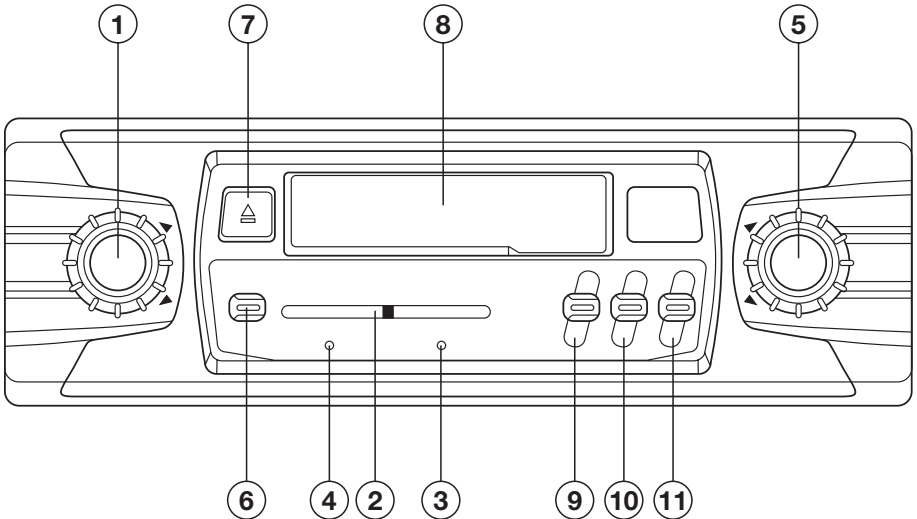
**Control Operation**.....2

**Wire Connection** .....4

**Installation** .....4

**Specification**.....4

## CONTROL OPERATION



- 1. POWER ON/VOLUME**  
Rotate the knob to right for turning on the unit and increasing the degree of sound.
- 2. FREQUENCY DISPLAY**  
The dial pointer indicates the frequency of current reception.
- 3. RADIO INDICATOR**  
A glow of this indicator represents good reception of broadcasting.
- 4. TAPE INDICATOR**  
A glow of this indicator represents that it is in tape mode.
- 5. TUNING KNOB**  
Rotate this knob to select the desired station.

**6. BAND SELECTOR**

Push this button to select **AM** band. Push and release the button to UP position to select **FM** band.

**7. EJECT BUTTON**

Push down halfway to run the cassette tape fast forward and fully down to eject the cassette tape.

**8. CASSETTE COMPARTMENT**

Hold the cassette lengthwise and insert it into the compartment to start cassette playing.

**9. BALANCE CONTROL**

Slide the control upward or downward to adjust the sound balance between right and left speakers.

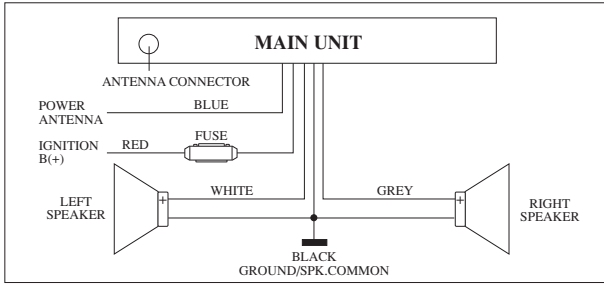
**10. BASS CONTROL**

Slide the control upward or downward to adjust the bass level.

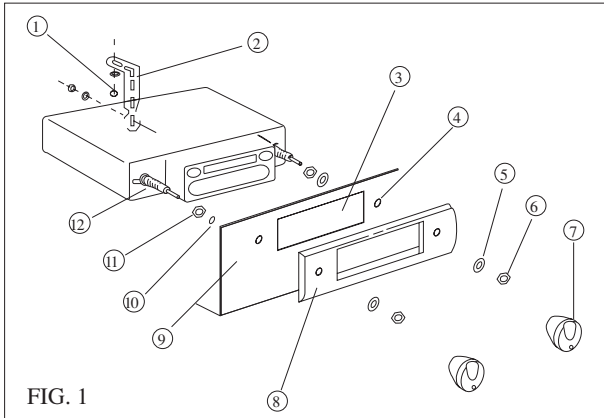
**11. TREBLE CONTROL**

Slide the control upward or downward to adjust the treble level.

# WIRE CONNECTION



# INSTALLATION



1. Machine Screw
2. Rear Support Strap
3. Radio Opening
4. Control Shaft Opening
5. Flat Washer
6. Hex Nut
7. Front Knob
8. Trim Plate
9. Instrument Panel
10. Flat Washer
11. Hex Nut Spacing
12. Control Shaft

# SPECIFICATIONS

## AUDIO & GENERAL

Supply Voltage	11 - 14 volts D.C.
Frequency Response	100 - 10,000 Hz
Dimensions	178 mm (W) x 110 mm (D) x 44 mm (H)
Weight	0.8 KG

## CASSETTE SECTION

Tape Speed	4.75 cm/sec
Wow and Flutter	Less than 0.4% r.m.s.

## RADIO SECTION

Stereo Separation	Better than 25 dB
Stereo Sensitivity	Better than 30 $\mu$ V
<b>FM</b>	
Tuning Range	88 - 108 MHz
Sensitivity	Better than 6 $\mu$ V
<b>AM</b>	
Tuning Range	530 - 1710 KHz
Sensitivity	Better than 30 $\mu$ V

## Free Manuals Download Website

<http://myh66.com>

<http://usermanuals.us>

<http://www.somanuals.com>

<http://www.4manuals.cc>

<http://www.manual-lib.com>

<http://www.404manual.com>

<http://www.luxmanual.com>

<http://aubethermostatmanual.com>

Golf course search by state

<http://golfingnear.com>

Email search by domain

<http://emailbydomain.com>

Auto manuals search

<http://auto.somanuals.com>

TV manuals search

<http://tv.somanuals.com>