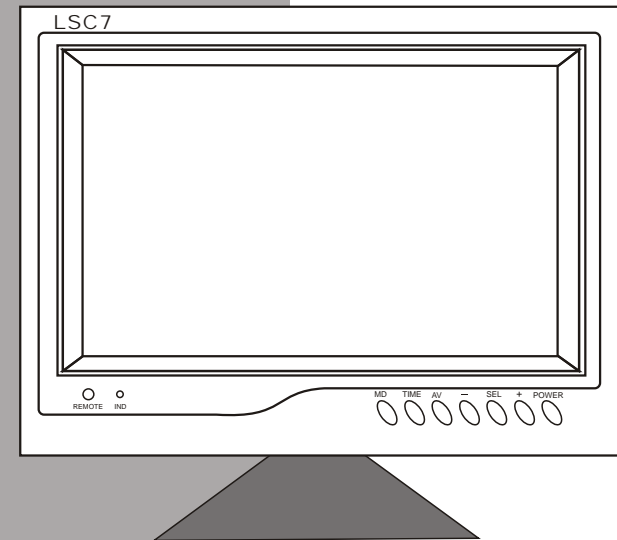


TFT-LCD MONITOR

# LEGACY<sup>®</sup>

## OWNER'S MANUAL

7 INCH COLOUR LCD MONITOR



*LSC7*  
**WWW.LEGACYCARAUDIO.COM**

## 1)、 **SUMMARIZE**

Respectful users:

We appreciate that you choose to use our product TFT-LCD Monitors. Compared with the traditional CRT monitor, this model is light and thin, low radiation, without flashing, without distortion, high efficiency, with the new life concept of environmental, low power consumption, and green healthy. This LCD monitor employ DSP chip, MCU I<sup>2</sup>Ccontrolling technique and 7" TFT-LCD monitor, clear picture and true colour.

Please read this operating instruction before using our product, so that you can use it in best way.

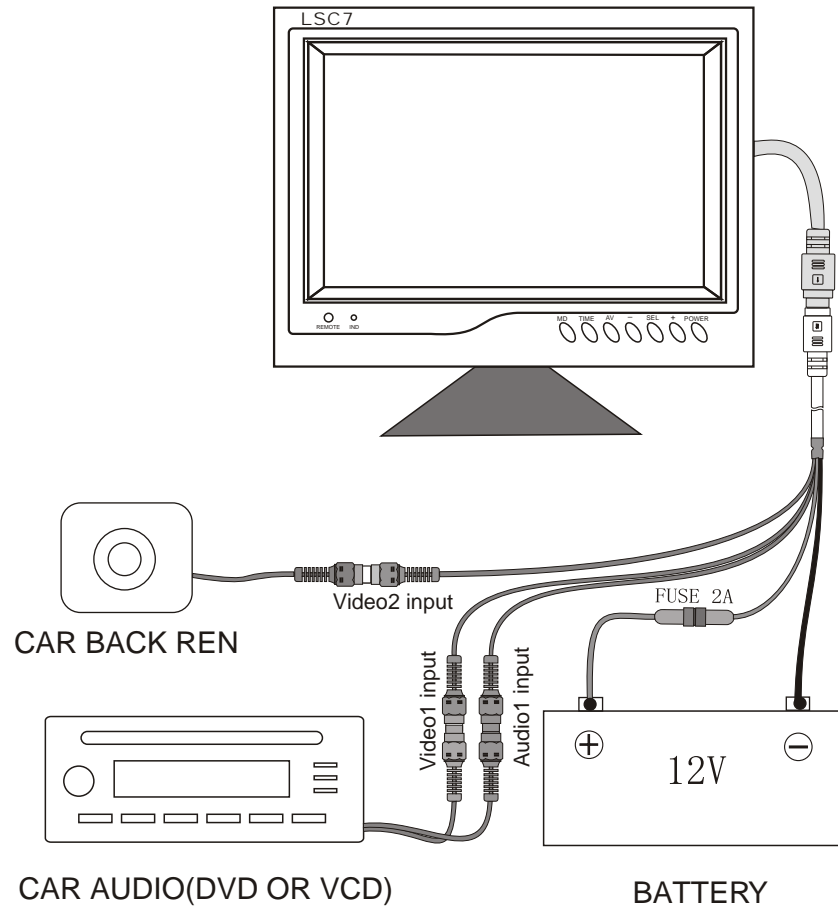
## 2)、 **Features:**

- ▶ Infrared remote control function
- ▶ OSD Screen Display
- ▶ Setting mode with automating store function
- ▶ NTSC/PAL auto-recognize function

## 3)、 **Technical Performance:**

Screen Size: 7.0" (Diagonal)  
Display Format : 1140 (RGB)(H)×234(V)  
Effective Display Dimension :154.1×85.5mm  
Pix Set: Vertical Stripe  
System: NTSC/PAL (Auto - Recognize)  
Video Input: 1.0 Vp -p (75 Ω)  
Audio Input :-10dB(10k Ω)  
Power Supply: DC 11V-14V  
Rated current : ≤800mA  
Rated Power Consumption : ≤10W  
Operating Temperature: 5℃-40℃  
Storage temperature: -10℃-80℃

## 9). CONNECTOR



5

## 4). LCD MONITOR OPERATING INSTRUCTION

### (1) Power Switch:

push this switch to open the monitor, the indicate light<sup>⑧</sup> turns on, the monitor begin to work, push again to turn off the monitor.

### (2) Simulating measure increase:

increase the picture brightness, color saturation, contrast, hue and volume total five contents, you can adjust the content associate with the key<sup>③</sup>

### (3) Simulating Switch:

according to personal favor you can adjust each simulating measure, press this button, to choose the simulating measure, press this button, it will display the content as the order:

►Brightness -color-saturation -Contrast-hue-volume◀Decide which content that need to adjust. Press key<sup>②</sup> or<sup>④</sup> again to adjust this content. (It will be effective only for the hue adjustment in NTSC system)

### (4) Simulating measure decrease:

reduce the picture brightness, color saturation, contrast, hue and volume total five contents, you can adjust the content associate with the key<sup>③</sup>

### (5) Video Input Option:

used to choose the video signal sources. Usually, connect the video signal of VCD, DVD to Video, photographic head or other signal to video 2, use this switch to choose them.

### (6) TIME:

Mxa 2 hours 30-45-60-90-120 minutes selectable

### (7) MODE:

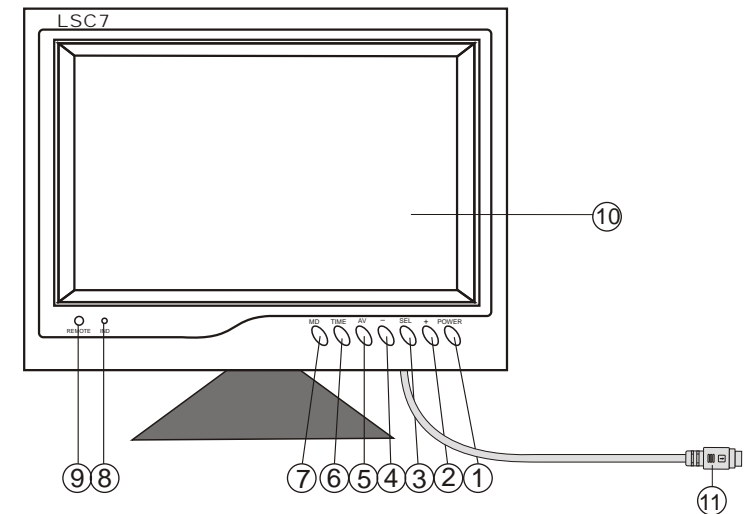
Press mode button to select 16:9 / 4:3 display

### (8) Power Indicate Light

(9) Infrared receiving window: receive remote control instructions.

### (10) TFT-LCD

(11) Connector: the power supply of the monitor and the input jack of video signal



2

## 5)、 Remote Control Operating Instruction:

### 1.Mute:

If there is built-in speaker in the monitor, push this button to turn off sounds, push it again to turn on sounds.

### 2.Stander-by:

when the monitor is at work. Push this button, the MCU in the monitor will stop working with low power consumption, push this button again the monitor will recover to work normally.

### 5.AV transfer:

use to switch the two way video and audio signal.

### 6.Simulating measure increase:

increase the picture brightness, color saturation , contrast , color hue and volume total 5 contents. You can adjust the content associate with the stimulating measure.

### 7.Simulating measure decrease:

decrease the picture brightness, color saturation, contrast, color hue and volume total 5 contents, you can adjust the content associate with the stimulating measure

### 8.Simulating choice:

According to personal favor, you can adjust each simulating measure, push this button to choose the simulating measure, push this button, it will display the content as the order:  
▶Brightness-color-saturation -Contrast-hue-volume.◀Decide which content you need to adjust. Push key⑥or⑦again to adjust this content. (It will be effective only for the hue adjustment in NTSC system)

### 9.Volume decrease:

if there is built-in speaker , in the monitor push the key ⑥⑦to reduce the volume till no sounds.

### 10.Volume increase:

if there is built-in speaker, in the monitor, push the key to increase the volume,

### 11.Colour Saturation Decrease:

push the key to reduce the color saturation to colorless.

### 12.Colour Saturation Increase:

push the key to increase the color saturation to maximum gradually

### 13.Contrast decrease:

push the key to decrease the picture contrast gradually.

### 14.Contrast increase:

push the key to increase the picture contrast gradually.

### 15.Brightness decrease:

push the key to decrease the picture brightness gradually.

### 16.Brightness increase:

push the key to increase the picture brightness gradually.

## 6)、 OPERATING METHOD

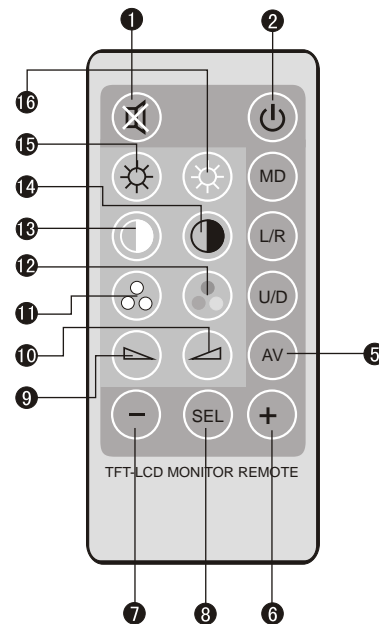
- ▶ Please acquaint the function of each key on the monitors and remote controller before using (Refer to the operating instruction of the remote controller and monitor operating instruction)
- ▶ When you adjust the brightness, colour saturation, contrast, hue and volume of the picture to the best mode, if you want to keep this mode when you open the machine each time, if the brightness you used now is different with last time, you can repeat operating way as above. (adjust again as the way in operating instruction.)
- ▶ Because the monitors has built in video system auto-recognize circuit, the monitor can display the clear picture whether you input the NTSC video signal or PAL video signal.

## 7)、 PRECAUTIONS

- ▶ This monitor adopt the DC power supply, so please distinguish the positive polarity and negative polarity of the power and use it within the regulated power supply (11V-14V), to avoid the damage of the monitor parts.
- ▶ TFT-LCD monitor is high exactitude parts, so please avoid the collide, shake violently and squeeze, do not use it below the temperature of 10℃ or above the temperature of 40℃ . Avoid the dampness, liquid, metal body etc. enter into the monitors. Avoid to cause the leaking of electricity and short circuit to damage to the LCD monitors.
- ▶ Do not operate the monitor when temperature below 15℃
- ▶ Since there is high-frequency power in the monitor please send it to professional or appointed maintenance service centre in case of malfunction It may cause danger of shock.

## 8)、 ACCESSORIES

1. Remote Controller 1 pcs
2. Power and video input connecting wire 1 pcs
3. User's manual 1 copy



## Free Manuals Download Website

<http://myh66.com>

<http://usermanuals.us>

<http://www.somanuals.com>

<http://www.4manuals.cc>

<http://www.manual-lib.com>

<http://www.404manual.com>

<http://www.luxmanual.com>

<http://aubethermostatmanual.com>

Golf course search by state

<http://golfingnear.com>

Email search by domain

<http://emailbydomain.com>

Auto manuals search

<http://auto.somanuals.com>

TV manuals search

<http://tv.somanuals.com>