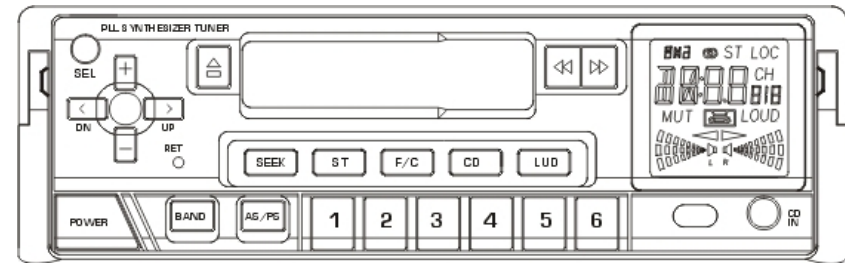


LEGACY

LR-203FX

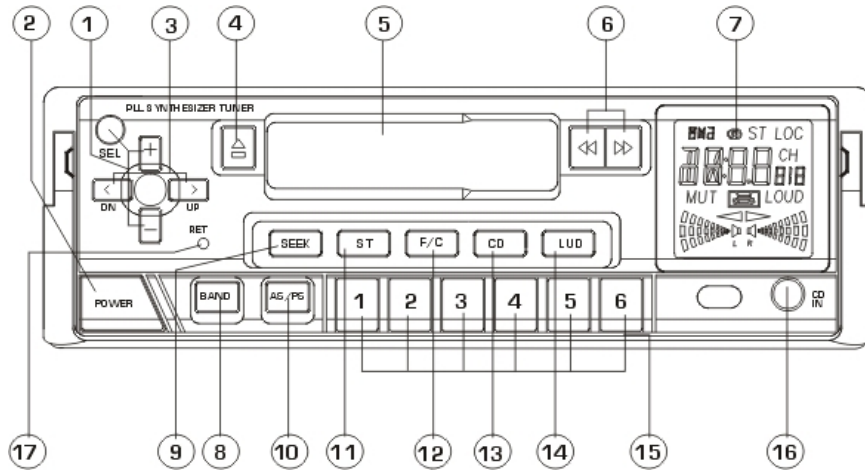
INSTRUCTION MANUAL



**PLL QUARTZ TUNING ELECTRONIC AUDIO CONTROL
STEREO CAR RADIO CASSETTE PLAYER**

www.legacycaraudio.com

LOCATION AND FUNCTION OF CONTROLS



IMPORTANT: This radio is set to USA frequency by factory, if European frequency is required please flip the frequency step switch on the side of the unit.

SPECIFICATION

GENERAL

Power Supply The Main Unit.....DC 13.8 Volts. Negative Ground
 Maximum Output Power.....40W X 4
 Unit Dimension.....181(W) x 181(D) x 53(H)

FM SECTION

Frequency Range.....87.5MHz - 107.9MHz

MW SECTION

Frequency Range.....530KHz - 1710KHz

LW SECTION(OPTION)

Frequency Range.....144KHz - 290KHz

1. VOLUME BUTTON

Press the "+" button to increase volume level; press the "-" button to decrease volume level.

SELECT BUTTON

Press it can select VOL/BAS/TRE/BAL/FAD, and with the +/- button to adjust them, and the word which function it is selected will be indicated on LCD.

2. POWER BUTTON

Press it to select you desired radio band and the word which band is selected will be indicated on LCD.

(NOTE: When it is off, you can press any button to turn on the unit.)

3. MANUAL TUNING UP/DOWN BUTTON

Press them to tune up or down, and the current frequency appears on LCD.

4. EJECT BUTTON

Push it to eject the tape.

5. CASSETTE DOOR COMPARTMENT

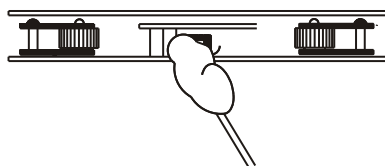
6.FAST FORWARD/REWIND PROGRAM BUTTONS

Push the fast forward and rewind buttons together to switch from one side of the tape to the other.

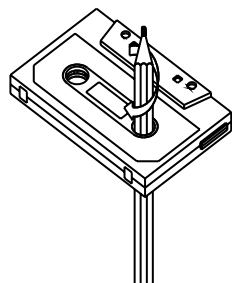
7. LCD (LIQUID CRYSTAL DISPLAY)

PRECAUTIONS AND MAINTENANCE

1. This unit is designed for negative ground operation only. The equipment can be used safely, if the negative terminal of the battery is connected to the vehicle metal work.
2. Do not use speakers of impedance less than 4 ohms; and allow the speaker wires to be shorted together when the unit is switched on. Otherwise it may overload or burn out the power amplifier stage.
3. If the car interior is extremely hot, as after being parked in the sun, do not use the player until the car has been driven for a while to cool off the interior.
4. Take care of your tape cassette to preserve the quality of the recordings. Do not allow them to be exposed to direct sunlight. Store them in a place protected from dirt and dust and avoid handling with greasy or oily hands. Also, keep them away from magnets, and motors of the permanent magnet type.
5. It is not advisable to use cassette tapes longer than C-60 (30 minutes per side) in automobile players, since the tape is too thin and tends to become easily entangled. Always remove cartridge from your tape player as soon as play is finished.
6. The capstan and tape head should be cleaned about once every six months with a soft cloth or cotton-wool swab, moistened with alcohol. This will serve to maintain the richness and clarity of sound, and prevent loss of volume. Do not use a screwdriver, or ferrous metal rod, in carrying out the above cleaning. See illustration.



7. A loosely wound cassette tape will get damaged. Prior to using such tape, tighten it in a manner as guided by Fig. 2. A carelessly wound cassette tape will cause unnecessary pressure on the tape resulting in the cassette springing out while the tape is running. For prevention, rewind the tape through fast forwarding or rewinding.



8. BAND BUTTON

Press it to select your desired radio band and the word which band is selected will be indicated on LCD.

9. SEEK BUTTON

Press it to auto seek up frequency until find the desired broadcast.

10. AS/PS BUTTON

Press it to perform all stations memory for 5 seconds each time. While memory digital and frequency will flash on LCD. If the button is pressed for more than 2 seconds, it will seek station on current band, then write to the preset memories and word ART will appear on LCD. When the auto-storage operation is completed, it will automatically perform for 5 seconds each time. During the memory station performing, press 1-6 digital buttons to select and stop scanning function.

11. STEREO/MONO BUTTON

Press it to change the sound effect. (Mono keep remain)

12. FREQUENCY/CLOCK SWITCH

Press this button to select the display mode such as frequency display or clock display. (you can only adjust time setting at clock display)

13. CD SWITCH

14. LOUDNESS BUTTON

press it to get the best loudness quality during it is for bass. And word LOUD will appear on LCD.

15. 1-6 PRESET BUTTONS

Press them to recall all storage station frequency which will appear on LCD, stations can be memorized in band.

16. CD INPUT JACK

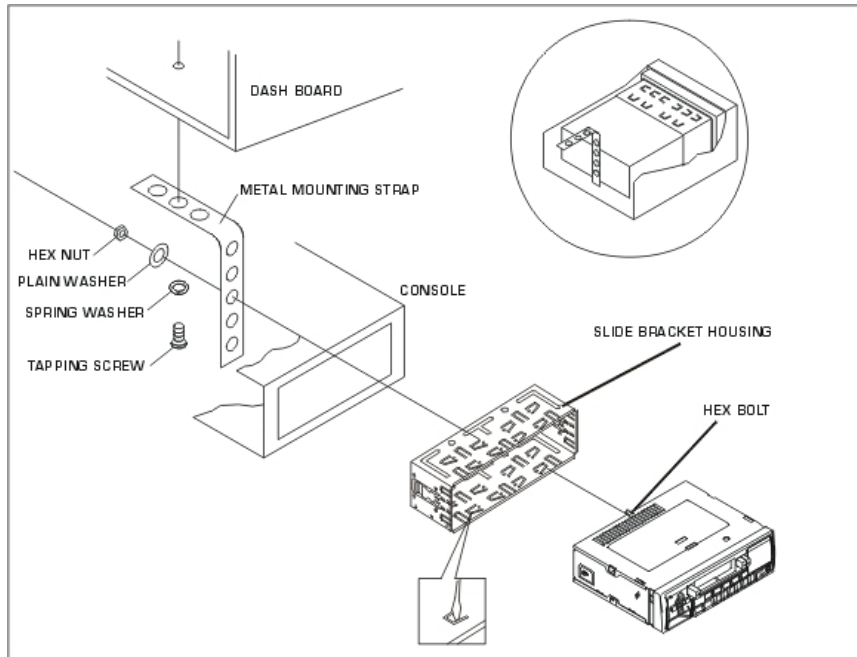
17. RET BUTTON

Press it to reset the functions when programmes are disorder.

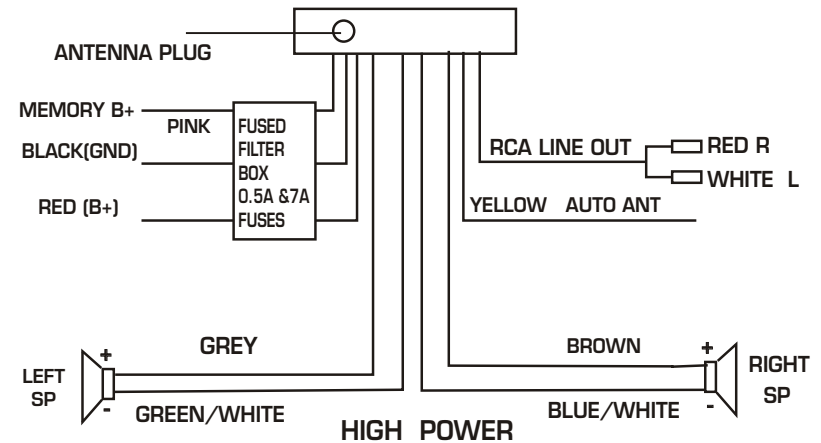
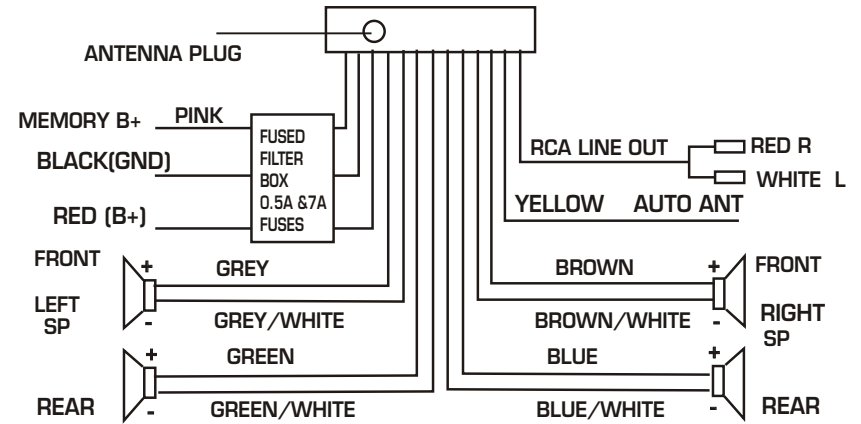
INSTALLATION

PRECAUTIONS

1. Choose the mounting location carefully so that the unit will not interfere with the normal driving functions of the driver.
2. Avoid installing the unit where it would be subject to high temperatures, such as from direct sunlight or hot air from the heater, or where it would be subject to dust, dirt or excessive vibration.
3. Use only the supplied mounting hardware for a safe and secure installation.



WIRING CONNECTION



NOTE:

1. If you have 2 speakers system, use 4 ohm impedance speaker.
 2. If you have 4 speakers system, use 8 ohm impedance speaker.
- To reduce the distortion during high volume level.

Free Manuals Download Website

<http://myh66.com>

<http://usermanuals.us>

<http://www.somanuals.com>

<http://www.4manuals.cc>

<http://www.manual-lib.com>

<http://www.404manual.com>

<http://www.luxmanual.com>

<http://aubethermostatmanual.com>

Golf course search by state

<http://golfingnear.com>

Email search by domain

<http://emailbydomain.com>

Auto manuals search

<http://auto.somanuals.com>

TV manuals search

<http://tv.somanuals.com>