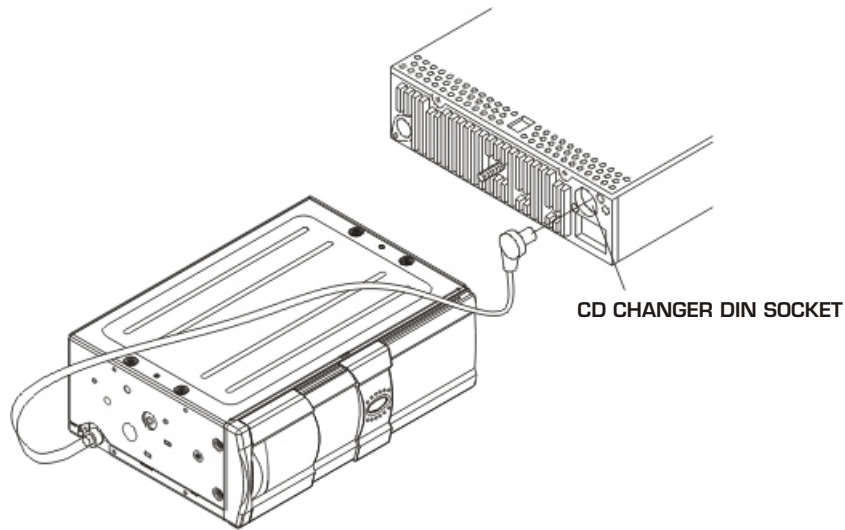


www.legacycaraudio.com

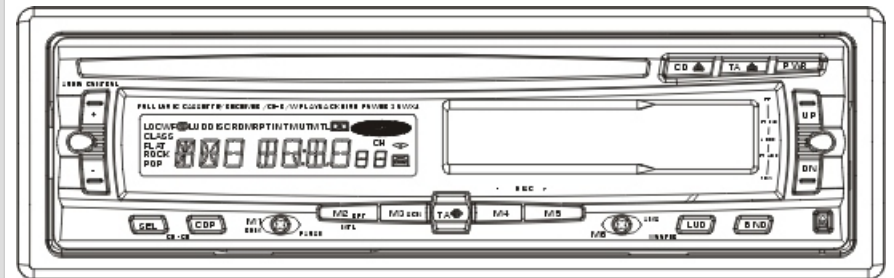
# LEGACY

LCDCS94

## INSTRUCTION MANUAL

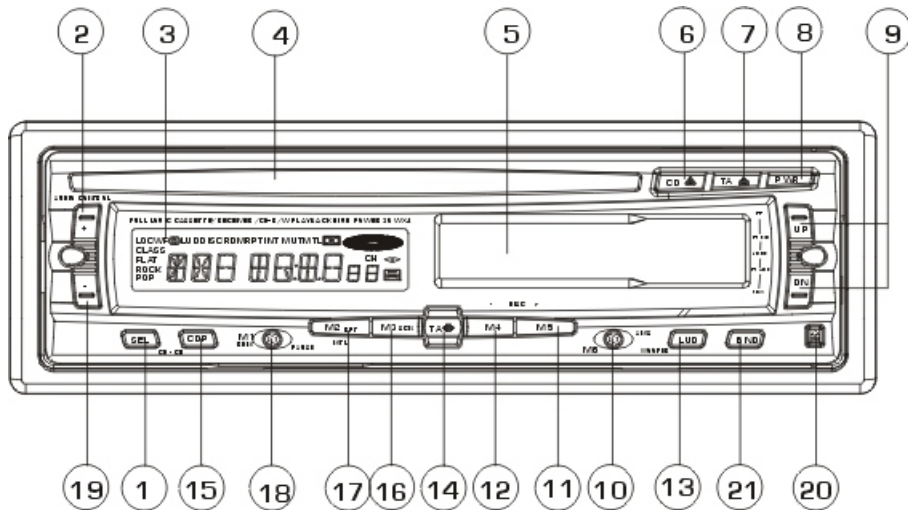


When you want to play the CD changer, plug the CD changer DIN into the socket of the back of the car audio unit.



**ANTI-THEFT DETACHABLE PANEL  
FULL LOGIC TAPE AND DISC PLAYER  
AM/FM STEREO DIGITAL PLL TUNING RADIO  
WITH CDC CONTROL**

## LOCATION AND FUNCTION OF CONTROLS



### 1.2.19. VOLUME MODE SELECTING AND LEVEL UP OR DOWN BUTTONS

Press SEL button to select the audio mode such as volume, bass, treble, balance and fader. Press the + or - button to adjust the sound level of them.

### 3. LCD (LIQUID CRYSTAL DISPLAY)

### 4. DISC COMPARTMENT

### 5. TAPE COMPARTMENT

### 6. CD EJECT BUTTON

In CD player mode, press it to eject the disc.

### 7. TAPE EJECT BUTTON

In tape mode, press it to eject the tape.

### 8. POWER BUTTON

Press it to turn on or off the unit.

## SPECIFICATION

### GENERAL

Power Supply The Main Unit.....DC 13.8 Volts.Negative Ground  
 Maximum Output Power.....4 x 35W  
 Unit Dimension.....178(W) x 167(D) x 50(H)

### FM TUNER SECTION

Frequency Range.....87.5MHz - 107.9MHz(USA)  
 Usable Sensitivity.....10dB  
 Frequency Response(+/- 3dB).....50Hz - 12.5KHz  
 I.F. Rejection.....100dB  
 Image Rejection.....65dB  
 Signal-to-Noise Ratio.....60dB  
 Selectivity.....65dB  
 Stereo Separation.....30dB  
 Capture Ratio.....2dB  
 Antenna Impedance.....75Ω

### AM TUNER SECTION

Frequency Range.....530KHz - 1720KHz(USA)  
 Usable Sensitivity(S/N 20dB).....20uV  
 I.F. Rejection.....80dB  
 Image Rejection.....75dB  
 Antenna Impedance.....75Ω

### TAPE SECTION

Wow&Flutter.....0.1%  
 S/N Ratio(Normal).....52dB  
 Separation.....50dB  
 Frequency response.....50Hz - 15KHz

### CD SECTION

Disc size.....5"  
 Channels.....2-channel stereo  
 Sampling frequency.....44.1KHz  
 D/A converter.....Twin. 1-bit  
 Pickup.....Optical 3-beam semiconductor laser  
 Output filter.....Active  
 Frequency response.....5Hz - 20KHz  
 Dynamic range.....85dB  
 Signal-to-noise ratio.....90dB  
 Wow and flutter.....Below measurable limits  
 Channel separation(1 KHz).....85dB

## TROUBLE SHOOTING

Before going through the check list, finish wiring connection. If there still are any question after finish testing the items in the following list, consult your nearest service dealer.

Symptom	Cause	Solution
The compact disc or tape does not play when inserted into the unit.	The volume control is turned down.	Turn up the volume control.
	The power connections are not wired correctly.	Check the +12V and ground connections.
The sound from the CD player skips.	The road surface is rough.	Wait for the road surface to improve before playing a disc.
	The unit is not mounted securely.	Install the unit securely. Be sure to use the rear strap if the vehicle does not provide support for the rear of the unit.
	The disc is defective.	Try another disc. If it plays properly, the first disc may be defective.
	The disc is dirty.	Clean the disc.
No power.	The vehicle ignition is switched off.	Switch the ignition to the "ON" or "ACC" position.
	The fuse is blown.	Replace the fuse with another 15A fuse.
The unit does not work properly (Eject, Load, Play).	The microcomputer has been affected by electrical noise.	Eject the disc or tape, then insert it again.
		Turn the power off and then on again.
No radio reception.	The antenna cable is not connected.	Insert the antenna cable firmly into the antenna jack on the unit.
The radio does not stop on any stations when automatic tuning is used.	The signals are weak.	Select a station using manual tuning.

### 9. TUNE/SEEK/TRACK UP OR DOWN, FF/RW BUTTONS

In radio mode, press UP or DN button, it will start automatic tuning and stop at the next receivable station; press UP or DN button for more than 2 seconds to research for the higher or lower frequency station.

In tape mode, press UP or DN button to fast forward or rewind the tape, and press TAPE button to resume normal tape playing.

In CD player or CD changer mode, press UP or DN button to skip to the beginning of the next track or one of the track currently playing. Press DN button twice to skip to the beginning of the previous track. Press and hold UP or DN button for more than 2 seconds to search quickly (with sound) in the forward or reverse direction, and press it again to resume normal playing.

### 10-11-12-16-17-18. 1-6 PRESET MEMORY BUTTONS

Select the desired band, then tune for the station you want to store in memory, and then press and hold one of 1-6 preset memory buttons for more than 2 seconds to store the broadcasting station to the preset memory. Every preset memory button can be stored only one station for each band, so the car audio system can be stored 30 stations.

After finishing the storing operation, select the desired band and then press one or the six preset memory buttons to quickly tune for the desired station.

### 10. AMS BUTTON(Automatic Music Select System)

In tape mode, press AMS button to turn on the AUTOMATIC MUSIC SELECT SYSTEM. Then if you press FF or REW button, it allows you to skip forward or backward to the beginning of a particular selection. Press AMS button again to cancel AMS mode.

### 11-12. DISC SELECTING BUTTONS

In CD changer mode, press the DISC + button to select the next disc and the DISC - button to select the preceding disc.

## INSTALLATION

### 13. LOUD/SUB WOOFER

Press it shortly to enhance the bass effect during bass mode.  
Press it more than 2 seconds, SUB WOOFER will be turned on.  
then press SEL button to select the sound mode such as volume, bass, treble, balance and fader, and then press + or - button to increase or decrease the volume level of the selected sound mode. Press it more than 2 seconds again to turn off the SUB WOOFER.

### 14. TAPE BUTTON

Press it to switch from radio, CD player or CD changer mode to tape mode.  
In tape mode, press it to make the player automatically switch to the opposite side of the tape when the tape reaches the end of one side.

### 15. CDP/CD-CH BUTTON

Press it to switch from radio or tape mode to CD player or CD changer mode.

1). When a disc is loaded in the disc compartment and the CD changer is not connected, the mode changes like this:

Radio/Tape → CD player → CD player pause

2). When a disc is not loaded in the CD player and the CD changer is connected, the mode changes like this:

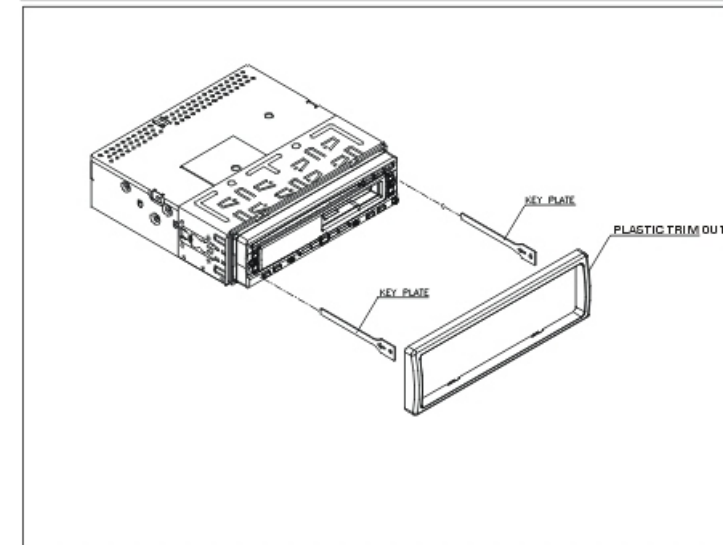
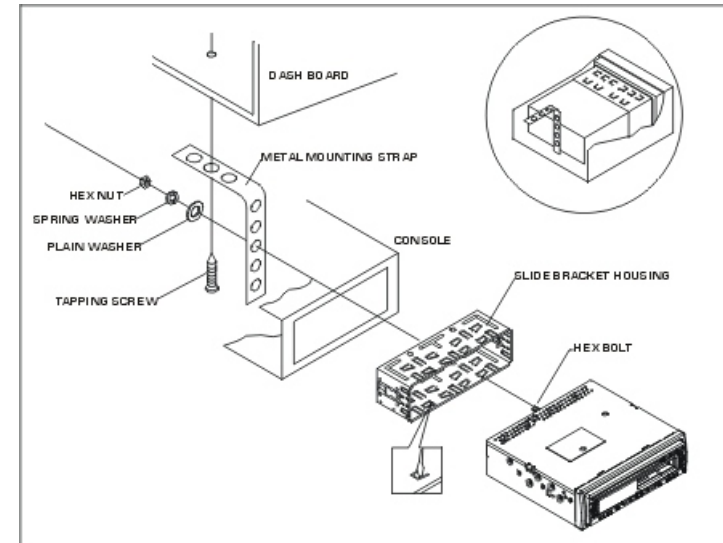
Radio/Tape → CD changer → CD changer pause

3). When a disc is loaded in the CD player and the CD changer is connected, the mode changes like this:

Radio/Tape → CD player → CD changer

### 16. SCAN BUTTON

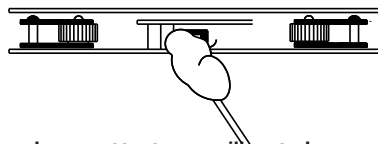
In CD player mode, press it to search each song for 10 seconds, press it again to stop scanning and retain the song currently selected.  
In CD changer mode, press it to search each song for 10 seconds, press it again to search each disc for 10 seconds, press it thirdly to stop scanning and retain the disc currently selected.



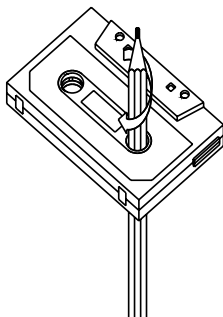
If you want to take CHASSIS out of the SLIDE BRACKET HOUSING, remove the PLASTIC OUTLINE away, then insert the two KEY PLATE into left and right side of chassis as above illustration.

## PRECAUTIONS AND MAINTENANCE

1. This unit is designed for negative ground operation only. The equipment can be used safely, if the negative terminal of the battery is connected to the vehicle metal work.
2. Do not use speakers of impedance less than 4 ohms; and allow the speaker wires to be shorted together when the unit is switched on. Otherwise it may overload or burn out the power amplifier stage.
3. If the car interior is extremely hot, as after being parked in the sun, do not use the player until the car has been driven for a while to cool off the interior.
4. Take care of your tape cassette to preserve the quality of the recordings. Do not allow them to be exposed to direct sunlight. Store them in a place protected from dirt and dust and avoid handling with greasy or oily hands. Also, keep them away from magnets, and motors of the permanent magnet type.
5. It is not advisable to use cassette tapes longer than C-60 (30 minutes per side) in automobile players, since the tape is too thin and tends to become easily entangled. Always remove cartridge from your tape player as soon as play is finished.
6. The capstan and tape head should be cleaned about once every six months with a soft cloth or cotton-wool swab, moistened with alcohol. This will serve to maintain the richness and clarity of sound, and prevent loss of volume. Do not use a screwdriver, or ferrous metal rod, in carrying out the above cleaning. See illustration.



7. A loosely wound cassette tape will get damaged. Prior to using such tape, tighten it in a manner as guided by Fig. 2. A carelessly wound cassette tape will cause unnecessary pressure on the tape resulting in the cassette springing out while the tape is running. For prevention, rewind the tape through fast for warding or rewinding.



## 17. RPT/METAL BUTTON

In tape play mode, If a metal tape is used, press METAL button to make the player in metal play mode, and MTL is indicated on LCD. In CD player mode, press it to play the current track repeatedly. Press it again or eject the disc to cancel this mode. In CD changer mode, press it to play the current track repeatedly. Press it again to play the current disc repeatedly. Press it thirdly to cancel this mode.

## 18. RDM/PAUSE BUTTON

In CD player mode, press it to play the track in random order. Press the TRACK + or - button to select another random track. Press it again or eject the disc to cancel this mode. In CD changer mode, press it to play tracks on the current disc in random order. Press it again to play tracks on the full disc in random order. Press it thirdly to cancel this mode. In tape mode, press it to pause tape playing, press it again to resume tape playing.

## 20. RELEASE BUTTON

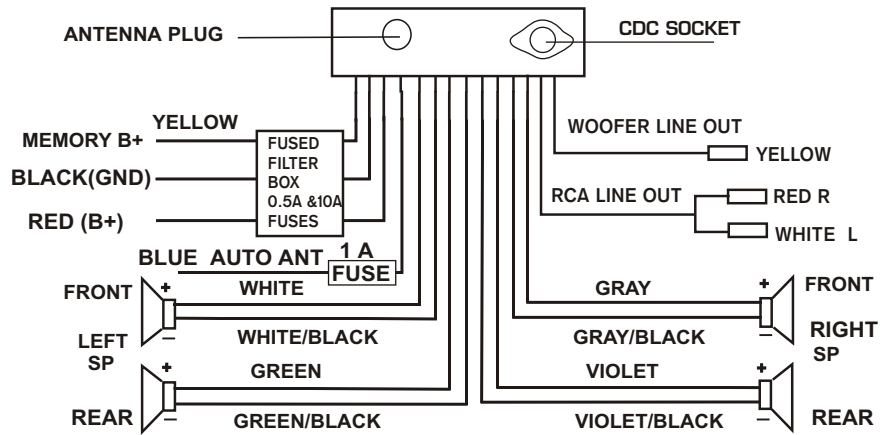
Press it to detach the front panel when you want to take it away.

## 21. BAND BUTTON

Press it to switch from tape, CD player or CD changer mode to radio, and the LCD screen will be shown as below:

FM 1 → FM 2 → FM 3 → MW(AM) 1 → MW(AM) 2

## SPEAKER CONNECTION



## DISC PLAY:

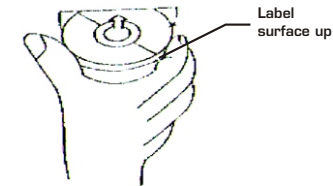
### Cleaning discs:

Before playing, clean the disc with a clean, lint-free. Flip the disc in the direction of the arrow.



### NOTE:

- . Do not use so solvents such as benzine, thinners. Commercially available cleaners or anti static spray damage the unit.
- . Insert a disc with the label surface down. Doing so may damage the unit.



### NOTE:

- . Do not try to insert another disc when one has been already inserted. Doing so may damage the unit.
- . Handle the disc by its edge. And to keep the disc clean, do not touch the surface.



.Do not stick paper or tape on the disc.

.Do not expose the disc to direct sunlight or heat sources such as hot air ducts. Or leave it in a car parked in direct sunlight where there can be a considerable rise in temperature.

## Free Manuals Download Website

<http://myh66.com>

<http://usermanuals.us>

<http://www.somanuals.com>

<http://www.4manuals.cc>

<http://www.manual-lib.com>

<http://www.404manual.com>

<http://www.luxmanual.com>

<http://aubethermostatmanual.com>

Golf course search by state

<http://golfingnear.com>

Email search by domain

<http://emailbydomain.com>

Auto manuals search

<http://auto.somanuals.com>

TV manuals search

<http://tv.somanuals.com>