



HEARTH PRODUCTS

INSTALLATION AND OPERATION MANUAL

ELITE™ SERIES

Direct-Vent Gas Stove

The Epic™ Gas Stove is factory equipped for 40,000 BTU input and can be converted to 33,000 using the smaller orifice provided.

Retain These Instructions For Future Reference

P/N 775,223M Rev. B, 03/2008

A French manual is available upon request. Order P/N 775,223CF. Ce manuel d'installation est disponible en français, simplement en faire la demande. Numéro de la pièce 775,223CF.



In the Commonwealth of Massachusetts:

- Installation must be performed by a licensed plumber or gas fitter
- See Table of Contents for location of additional Commonwealth of Massachusetts requirements

Tested & Listed By  Beaver-ton Oregon USA
 OMNI-Test Laboratories, Inc.
 Report No. 050-S-21b-5

Epic™ 33/40 (EPIC33/40)

⚠ WARNINGS



- Hot! Do not touch! The glass and surfaces of this appliance will be hot during operation and will retain heat for a while after shutting off the appliance. Severe burns may result.
- Carefully supervise children in the same room as appliance.
- These appliances may be installed in an aftermarket permanently located, manufactured (mobile) home (USA only), where not prohibited by local codes. This appliance is only for use with the type of gas indicated on the rating plate. This appliance is not convertible for use with other gases unless a certified kit is used.
- Lennox™ gas-burning appliances are designed for use as a supplemental heater. They are not intended for continuous use as a primary heat source.

WARNING: If the information in this manual is not followed exactly, a fire or explosion may result causing property damage, personal injury or loss of life.

Do not store or use gasoline or other flammable vapors or liquids in the vicinity of this or any other appliance.

WHAT TO DO IF YOU SMELL GAS:

- Do not light any appliance.
- Do not touch any electrical switch; do not use any phone in your building.
- Immediately call your gas supplier from a neighbor's phone. Follow your gas supplier's instructions.
- If your gas supplier cannot be reached, call the fire department.

Installation and service must be performed by a qualified installer, service agency or the gas supplier.

AVERTISSEMENT: Assurez-vous de bien suivre les instructions données dans cette notice pour réduire au minimum le risque d'incendie ou d'explosion ou pour éviter tout dommage matériel, toute blessure ou la mort.

POUR VOTRE SÉCURITÉ: Ne pas entreposer ni utiliser d'essence ni d'autres vapeurs ou liquides inflammables à proximité de cet appareil ou de tout autre appareil.

POUR VOTRE SÉCURITÉ: Que faire si vous sentez une odeur de gaz:

- Ne pas tenter d'allumer d'appareil.
- Ne touchez à aucun interrupteur.
- Ne pas vous servir des téléphones se trouvant dans le bâtiment
- Appelez immédiatement votre fournisseur de gaz depuis un voisin. Suivez les instructions du fournisseur.
- Si vous ne pouvez rejoindre le fournisseur de gaz, appelez le service des incendies.

L'installation et l'entretien doivent être assurés par un installateur ou un service d'entretien qualifié ou par le fournisseur de gaz.

Cautions and Safety

- ◆ **FOR YOUR SAFETY** do not install or operate your Epic™ gas stove without first reading and understanding this manual. Any installation or operation of the appliance deviating from that which is stated in this manual WILL void the warranty and may be hazardous.
- ◆ **INSTALLATION AND REPAIR SHOULD ONLY BE DONE BY A QUALIFIED SERVICE TECHNICIAN. DO NOT ATTEMPT TO SERVICE THE APPLIANCE YOURSELF.**
- ◆ The stove should be inspected and cleaned before use and at least annually by a qualified service technician. More frequent cleaning may be required due to excessive lint from bedding material, carpeting, etc.
- ◆ It is imperative that control compartments, burners and circulating air passageways of the room heater be kept clean.
- ◆ Adequate clearances around the combustion chamber and accessibility clearances for servicing and proper operation must be maintained.
- ◆ Turn off the gas before servicing this appliance. It is recommended that a qualified service technician perform an appliance check-up at the beginning of each heating season.
- ◆ All installations must conform with all local, state and national codes. In the absence of local codes, the installation must conform with National Fuel Gas Code ANSI Z223.1-latest edition, also known as NFPA 54 (In Canada, the current CAN/CSA B149.1 installation code). Refer to the National Fuel Gas Code and local zoning and code authorities for details on installation requirements. Your Epic gas stove must be vented to the outside in accordance with the latest edition of the National Fuel Gas Code.
- ◆ This gas stove **MUST** be vented directly to the outside and **MUST NEVER** be attached to a chimney serving a separate solid fuel burning appliance. Each gas appliance **MUST USE** a separate vent system. Common vent systems are **PROHIBITED**.
- ◆ Mobile home installations must conform with the Mobile Home Construction and Safety Standard, Title 24 CFR, Part 3280 (in Canada CAN/CSA Z240 MH), or, when such a standard is not applicable, the Standard for Mobile Home Installations, ANSI A225.1 - latest edition.
- ◆ The appliance, when installed, must be electrically grounded in accordance with local codes or in the absence of local codes, with the National Electrical Code, ANSI/NFPA 70 - latest edition. In Canada, the current CSA C22-1 Canadian Electrical Code - latest edition.
- ◆ Do not make any make-shift compromises during installation. Any modification or alteration may result in damage to the appliance or dwelling and will void the warranty, certification and listings of this unit.
- ◆ Failure to use manufacturer provided parts, variations in techniques and construction materials or practices other than those described in this manual may create a fire hazard and void the limited warranty.
- ◆ Your Lennox™ gas stove must be equipped for the proper fuel type and altitude at which it will be operated. Any operation outside the parameters outlined in this manual may result in a hazardous condition and will void the warranty. Please carefully read the sections pertaining to these subjects and/or be sure your appliance is properly equipped.
- ◆ Do not use this stove if any part has been under water. Immediately call a qualified service technician to inspect the appliance and to replace any part of the control system and any gas control which has been under water.
- ◆ Due to high temperatures, the stove should be located out of traffic areas and away from furniture and draperies.
- ◆ Children and adults should be alerted to the hazards of high surface temperature and should stay away to avoid burns or clothing ignition. Young children should be carefully supervised when they are in the same room as the Lennox gas stove. Clothing or any other flammable material should not be placed on or near the stove.
- ◆ Never use solid fuels such as wood, paper, cardboard, coal, or any flammable liquids, etc., in this appliance.
- ◆ Any grill, panel, or glass removed for service **MUST** be replaced prior to operating the stove. Do not operate appliance with the glass front removed, cracked or broken. Replacement of the glass should be done by a qualified service technician.
- ◆ **DO NOT USE** abrasive cleaner on the glass door assembly. **DO NOT ATTEMPT** to clean the glass door when it is hot.
- ◆ Gold and nickel plated surfaces must be cleaned with glass cleaner and a clean soft cloth before firing the first time or fingerprints will remain permanently. **NEVER** use brass polish to clean gold or nickel, this will remove the plating!!!
- ◆ When opening the lower door on the face while the stove is burning, pull at the far left or far right vent openings, because the door is hot during operation.
- ◆ Lennox Hearth Products, its employees, or any of its representatives assume no responsibility for any damages caused by an inoperable, inadequate, or unsafe condition as a result of any improper operation, service or installation procedures, whether direct or indirect.
- ◆ **INSTALLER: THESE INSTRUCTIONS ARE TO REMAIN WITH THE HOME OWNER!**

Table of Contents

Cautions and Safety	2
Orifice Size / Altitude Adjustment	4
Codes and Approvals	4-5
New York City, New York (MEA)	5
Commonwealth Of Massachusetts Requirements	5
Pre-Installation	6-8
Features	6
Packaging List	6
Ratings	6
Preparing Your Epic Stove for Installation	7
Dimensions	7
Clearances to Combustibles	8
Installation	9-12
Trim Installation	9
Firebox Setup	10
Brick Panel Installation	11
Log Set and Ember Installation	12
Vent Installation	13-17
Venting	13
Residential and Mobile Home Installations	13
Vent Considerations	13
Vent Parts List	14
Horizontal Vent Installation	14
Vertical Vent Installation	15
Flue Restrictors	15
Horizontal Terminations	16
Vertical Terminations	16
Horizontal Vent Termination Locations	17
Gas Line Installation	18
Gas Pressure Requirements	18
LP and Natural Gas Supplies	18
Operating Instructions	19-22
Pre-Lighting Checklist	19
Lighting Instructions	19
Flame Color and Behavior	20
Air Shutter Adjustment	21
Quiet Operation	21
Paint Curing	21
Optional Wall Thermostat	19
Operating Options	22
Millivolt Control System	22
Maintenance and Servicing	23-26
Maintenance Checklist	23
Millivolt and Systems Checks	23
Vent Pipe Maintenance	24
Glass Door Cleaning and Maintenance	24
Opening and Removing Door	25
Fuel Conversion	26
Troubleshooting	27
Parts List	28-29
Wire Harness Diagram	30
Replacement Parts	31
Accessories	32
Stove Labels	33-34
Product Reference Information	36

Orifice Size/Altitude Adjustment

For altitudes above 2,000 feet (In Canada 4,500 FT/1370 M), the orifice should be de-rated by 4% for every 1,000 feet to maintain the proper ratio of gas to air. Improper orifice sizing may result in damage and unsafe conditions. Changing the orifice should only be done by a qualified service technician. Contact your Lennox Hearth Products dealer for proper orifice sizes. (see **Page 26** for more information).

Smoke Detectors

Since there are always several potential sources of fire in any home, we recommend installing smoke detectors. If possible, install the smoke detector in a hallway adjacent to the room (to reduce the possibility of occasional false activation from the heat produced by the appliance). If your local code requires a smoke detector be installed within the same room, you must follow the requirements of your local code. Check with your local building department for requirements in your area.

Codes and Approvals

Certification

Gas appliances must be tested and certified by a nationally recognized testing and certification laboratory to ANSI (American National Standard Institute) gas appliance safety standards.

This stove has been tested and certified by OMNI -Test Laboratories to ANSI Z21.88 / CSA 2.33 Standard for Vented Gas Fireplace Heater and CGA 2.17-M91 and UL 307B Gas Burning Heating Appliances for Manufactured (Mobile) Homes in both USA and Canada.

It has met all necessary ANSI Standards and is fully certified for installation in any community. If there are any questions or if you need further substantiation either write to or call your Lennox Hearth Products dealer. If you have further questions, please contact Lennox Hearth Products.

Check all local building and safety codes before installation. The installation instructions and appropriate code requirements must be followed exactly and without compromise. In the absence of local codes the following standards and codes must be followed.

The Epic™ Stove

- Must conform with all local, state and national installation codes. In the absence of local codes, the installation must conform with National Fuel Gas Code ANSI Z223.1 - latest edition, also known as NFPA 54 (In Canada, the current CAN/CSA B149.1 installation code). Refer to the National Fuel Gas Code and local zoning and code authorities for details on installation requirements.
- Mobile home installations must conform with the Mobile Home Construction and Safety Standard, Title 24 CFR, Part 3280 (in Canada CAN/CSA Z240 MH), or, when such a standard is not applicable, the Standard for Mobile Home Installations, ANSI A225.1 - latest edition.
- Must be vented directly to the outside in accordance with the latest edition of the National Fuel Gas Code and must never be attached to a chimney serving a separate solid fuel burning appliance.
- Has been certified for use with either natural gas or propane.
- Is not for use with solid fuels.
- Is approved for sitting rooms and/or bedrooms.

New York City, New York (MEA)

Installation of these fireplaces are approved for installation in New York City in the US state of New York (MEA#: 138-07-E).

Commonwealth Of Massachusetts Requirements

Note: The following requirements reference various Massachusetts and national codes not contained in this document.

For all side wall horizontally vented gas fueled equipment installed in every dwelling, building or structure used in whole or in part for residential purposes, including those owned or operated by the Commonwealth and where the side wall exhaust vent termination is less than seven (7) feet above finished grade in the area of the venting, including but not limited to decks and porches, the following requirements shall be satisfied:

Installation Of Carbon Monoxide Detectors

At the time of installation of the side wall horizontal vented gas fueled equipment, the installing plumber or gas-fitter shall observe that a hard wired carbon monoxide detector with an alarm and battery back-up is installed on the floor level where the gas equipment is to be installed. In addition, the installing plumber or gas-fitter shall observe that a battery operated or hard wired carbon monoxide detector with an alarm is installed on each additional level of the dwelling, building or structure served by the side wall horizontal vented gas fueled equipment. It shall be the responsibility of the property owner to secure the services of qualified licensed professionals for the installation of hard wired carbon monoxide detectors.

In the event that the side wall horizontally vented gas fueled equipment is installed in a crawl space or an attic, the hard wired carbon monoxide detector with alarm and battery back-up may be installed on the next adjacent floor level.

In the event that the requirements of this subdivision can not be met at the time of completion of installation, the owner shall have a period of thirty (30) days to comply with the above requirements; provided, however, that during said thirty (30) day period, a battery operated carbon monoxide detector with an alarm shall be installed.

Approved Carbon Monoxide Detectors

Each carbon monoxide detector as required in accordance with the above provisions shall comply with NFPA 720 and be ANSI/UL 2034 listed and IAS certified.

Signage

A metal or plastic identification plate shall be permanently mounted to the exterior of the building at a minimum height of eight (8) feet above grade directly in line with the exhaust vent terminal for the horizontally vented gas fueled heating appliance or equipment. The sign shall read, in print size no less than one-half (1/2) inch in size, "**GAS VENT DIRECTLY BELOW. KEEP CLEAR OF ALL OBSTRUCTIONS.**"

Inspection

The state or local gas inspector of the side wall horizontally vented gas fueled equipment shall not approve the installation unless, upon inspection, the inspector observes carbon monoxide detectors and signage installed in accordance with the provisions of 248 CMR 5.08(2)(a)1 through 4.

Exemptions

The following equipment is exempt from 248 CMR 5.08(2)(a)1 through 4:

- The equipment listed in Chapter 10 entitled "Equipment Not Required To Be Vented" in the most current edition of ANSI Z233.1 / NFPA 54 (In Canada CAN/CSA B149.1 - current edition) as adopted by the Board; and
- Product Approved side wall horizontally vented gas fueled equipment installed in a room or structure separate from the dwelling, building or structure used in whole or in part for residential purposes.

MANUFACTURER REQUIREMENTS

Gas Equipment Venting System Provided

When the manufacturer of Product Approved side wall horizontally vented gas equipment provides a venting system design or venting system components with the equipment, the instructions provided by the manufacturer for installation of the equipment and the venting system shall include:

- Detailed instructions for the installation of the venting system design or the venting system components; and
- A complete parts list for the venting system design or venting system.

Gas Equipment Venting System NOT Provided

When the manufacturer of a Product Approved side wall horizontally vented gas fueled equipment does not provide the parts for venting the flue gases, but identifies "special venting systems", the following requirements shall be satisfied by the manufacturer:

- The referenced "special venting system" instructions shall be included with the appliance or equipment installation instructions; and
- The "special venting systems" shall be Product Approved by the Board and the instructions for that system shall include a parts list and detailed installation instructions.

A copy of all installation instructions for all Product Approved side wall horizontally vented gas fueled equipment, all venting instructions, all parts lists for venting instructions and/or all venting design instructions shall remain with the appliance or equipment at the completion of the installation.

- Installation and repair must be done by a plumber or gas fitter licensed in the Commonwealth of Massachusetts.
- The flexible gas line connector used shall not exceed 36 inches (92 centimeters) in length.
- The individual manual shut-off must be a T-handle type valve.

Pre-Installation

Features

Installation Options

- Residential
- Vented vertical and horizontal
- Manufactured (mobile) home
- Natural gas (NG) or propane (LP)
- Bedrooms
- Optional wall-mounted or remote thermostat

Venting

This stove can be vented with Security™ Secure Vent™ pipe*. Coaxial pipe diameters are 6-5/8" outer and 4" inner. The combustion air for this stove is drawn from outside the house through the outer DV (direct vent) pipe. Room air is not required for combustion.

When planning your installation, select the correct length of vent pipe for your particular requirements. Determine the minimum clearance to combustibles from the rear of the unit to the wall. It is also important to note the thickness of the wall. Before cutting the vent hole through the wall make sure that ALL vent and termination clearances (see **Page 17**) will be met.

Electrical

The standard fan motor requires 120 Volts AC for operation. The stove is not dependent on the fan or an outside electrical supply to operate. **WARNING - Electrical Grounding Instructions - This appliance is equipped with a three-prong (grounding) plug for your protection against shock hazard and should be plugged directly into a properly grounded three-prong receptacle. Do not cut or remove the grounding prong from this plug.**

* Other approved chimney brand is Simpson Dura-Vent DV-GS.

Millivolt Valve

This stove is operated with a millivolt valve and therefore burns even during a power outage.

Fuel

This stove comes from the factory equipped to burn natural gas at a specified elevation. The stove can be converted to burn LP gas (liquid propane) by changing the cassette (valve and pilot assembly) or installing a conversion kit. Only Lennox Hearth Products conversion kits can be used to convert from NG to LP or LP to NG. Contact your Lennox Hearth Products dealer for details.

Specifications

- Pipe: Type - direct-vent
- Recommended manufacturer*
Security™ Secure Vent™*
- Diameter - 6-5/8"x 4" for all installations

Stove Packaging List

The Epic™ gas stove comes with the following parts:

- 1 Stove Body with Burner Cassette
- 1 150 CFM Blower
- 1 3/8"x 9" Gas Pipe
- 1 3 pc. Brick Panel Set
- 1 4 pc. Log Set
- 1 Bag of Ember Material
- 1 Bag of Rock Wool
- 1 Bag of Flue Restrictors, Brick Panel Brackets and Tap-tites
- 1 Power Cord
- 1 Epic 33 Conversion Orifice
- 1 Installation and Operation Manual

Options

One required: Black Painted, Gold, Brushed Nickel, or Black Nickel Trim Kit

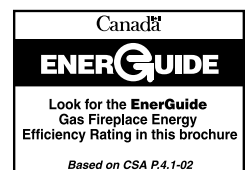
RATINGS	Epic™ 33 (EPIC33)		Epic™ 40 (EPIC40)	
	NATURAL GAS	LP GAS	NATURAL GAS	LP GAS
Max/Min Input BTUh 0-2,000 Feet (0-610 M) ❶	33,000 / 23,000	31,000 / 24,000	40,000 / 27,000	39,000 / 30,000
Manifold Pressure (IN. WC)	3.5 / 1.7	10.0 / 5.4	3.5 / 1.7	10.0 / 5.4
Min. Inlet Pressure (IN. WC)	5.0	11.0	5.0	11.0
P4 Efficiency ENERGUIDE ❷	56.98%	63.58%	63.54%	65.10%
Orifice (DMS) 0-2,000 Feet (0-610 M) ❶	#36/.106 IN.	#52/.064 IN.	#31/.120 IN.	#49/.073 IN.

❶ Unit factory equipped for 0-2000 FT/0-610 M, In Canada 0-4500 FT/0-1370 M

❷ The Steady State Efficiency numbers based on maximum vent configuration.

❸ Tested to CSA P.4.1-02 "Testing Method for Measuring Annual Fireplace Efficiency."

Electrical Rating: 120 VAC, 60 HZ, Less Than 2 Amps



Preparing Your Epic™ Stove For Installation

Read all instructions before beginning your installation. If instructions have not been read carefully, your installation could void your warranty and may create a serious fire, health, or other safety hazard.

The Lennox Hearth Products warranty will be voided if one of the following occurs:

- Installation of any damaged stove or vent system component.
- Unauthorized modification of the direct vent system.
- Installation other than as instructed by Lennox Hearth Products, Security™ Chimneys, or Simpson Dura-Vent.
- Installation of any stove or vent system component not manufactured or approved by Lennox Hearth Products, Security™ Chimneys, or Simpson Dura-Vent.

When planning the installation for your Epic gas stove, it's necessary to consider the following:

- Where the unit is to be installed
- The vent system configuration to be used
- Gas supply (NG or LP)
- Electrical wiring
- Optional accessories (door trim assembly and wall-mounted or remote thermostat)

Dimensions

The gas line attaches to the gas valve at the lower left corner at the back of the stove. Test all gas connections for leaks with a gas leak test solution.

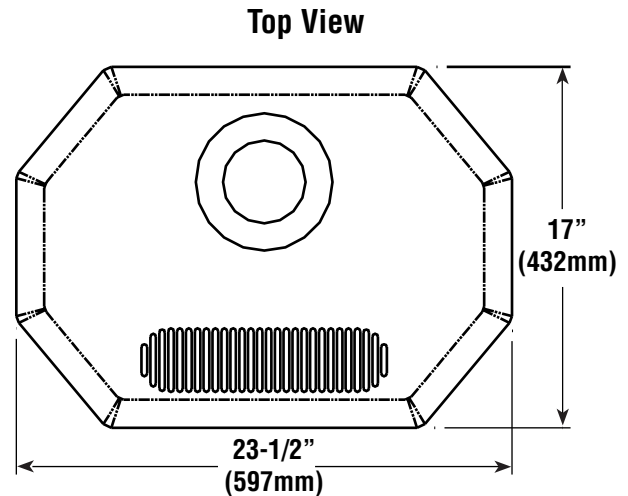


Figure 1

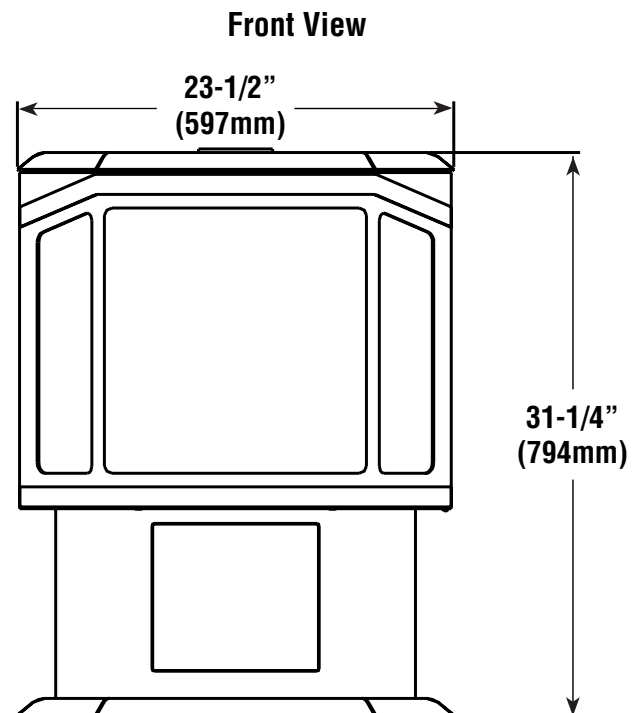


Figure 2

NOTE: DIAGRAMS & ILLUSTRATIONS ARE NOT TO SCALE.

Clearances to Combustibles

Minimum clearances to combustible materials in inches (millimeters):



Figure 3

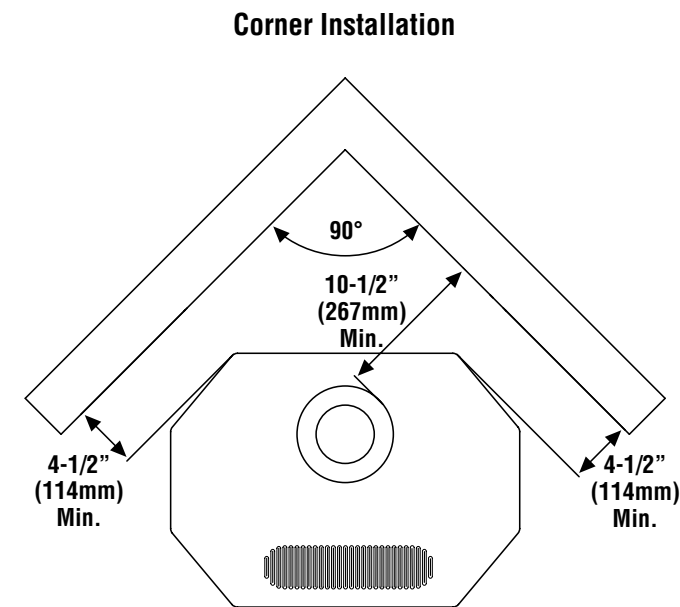


Figure 4

Floor Protection

A noncombustible hearth pad is not required. This stove may be installed on a combustible surface. Also, the floor beneath the stove must be stable, level, hard and strong enough to support the stove without a tipping hazard.

Alcove dimensions

The minimum width between the alcove side walls is 48" (1219mm). The minimum height of the alcove is 69" (753mm) and the maximum depth is 48" (1219mm).

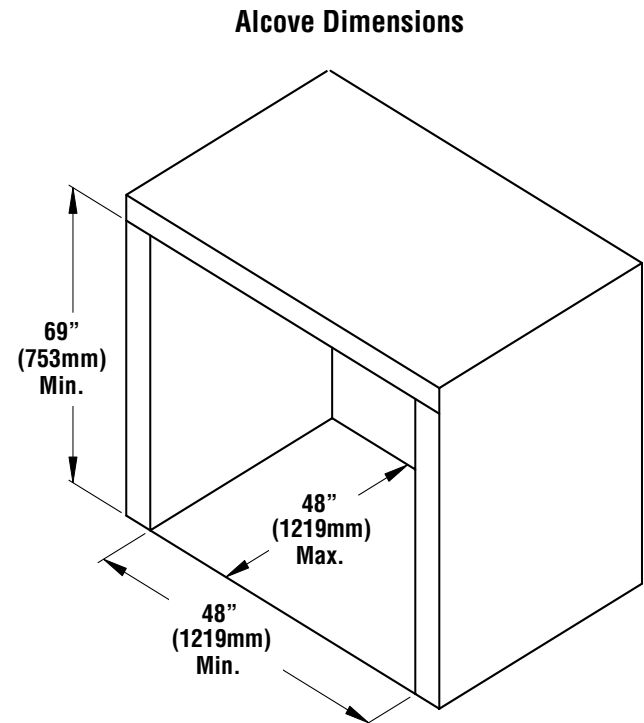


Figure 5

Pipe Clearances

All installations using a vertical termination cap must maintain one inch clearance between the direct vent pipe and combustibles. For horizontal runs of pipe, one inch of clearance to combustibles on the sides and bottom and two inches on the top of the pipe is required. See **Page 16** for allowable pipe configurations.

Installation

Trim Installation:

CAUTION: Always ensure that plated surfaces are clean and free of fingerprints before lighting stove. Fingerprints will leave permanent blemishes if left on plated surface when lit. When installation is complete, the trim should be gently cleaned with a soft cloth and either alcohol or glass cleaner. Do not overtighten nuts, overtightening can create visible dimples on the plated surface.

Packaging List: Trim pieces (2) - gold, brushed nickel, black nickel, or black, #6 nuts (6), #6 washers (6)

Tools Required: 5/16" nut driver or socket wrench

1. Remove the trim pieces and hardware from its packaging and ensure that all pieces are present before beginning installation. Take care not to scratch finished surfaces.
2. Open right side door by removing socket head cap screw located on the bottom of the side door near the front.
3. Open front door. Put trim in place by inserting trim studs into the corresponding holes in the door. The top piece of trim will only fit in one direction, but the bottom piece can be installed incorrectly. When placing the bottom piece of trim, make sure there is a small gap between the bottom of the trim piece and the bottom of the door. If the trim extends below the bottom of the door, the trim is on upside down.
4. Place one washer on each stud. Using a 5/16" nut driver, snug up the nuts on each piece of trim. Do not finish tightening nuts.
5. There should be approximately a 1/8" gap between the edge of the trim and the top and bottom edges of the door. Visually inspect the alignment of the trim and adjust if necessary.
6. Finish tightening nuts. **CAUTION - DO NOT OVERTIGHTEN NUTS!!!**

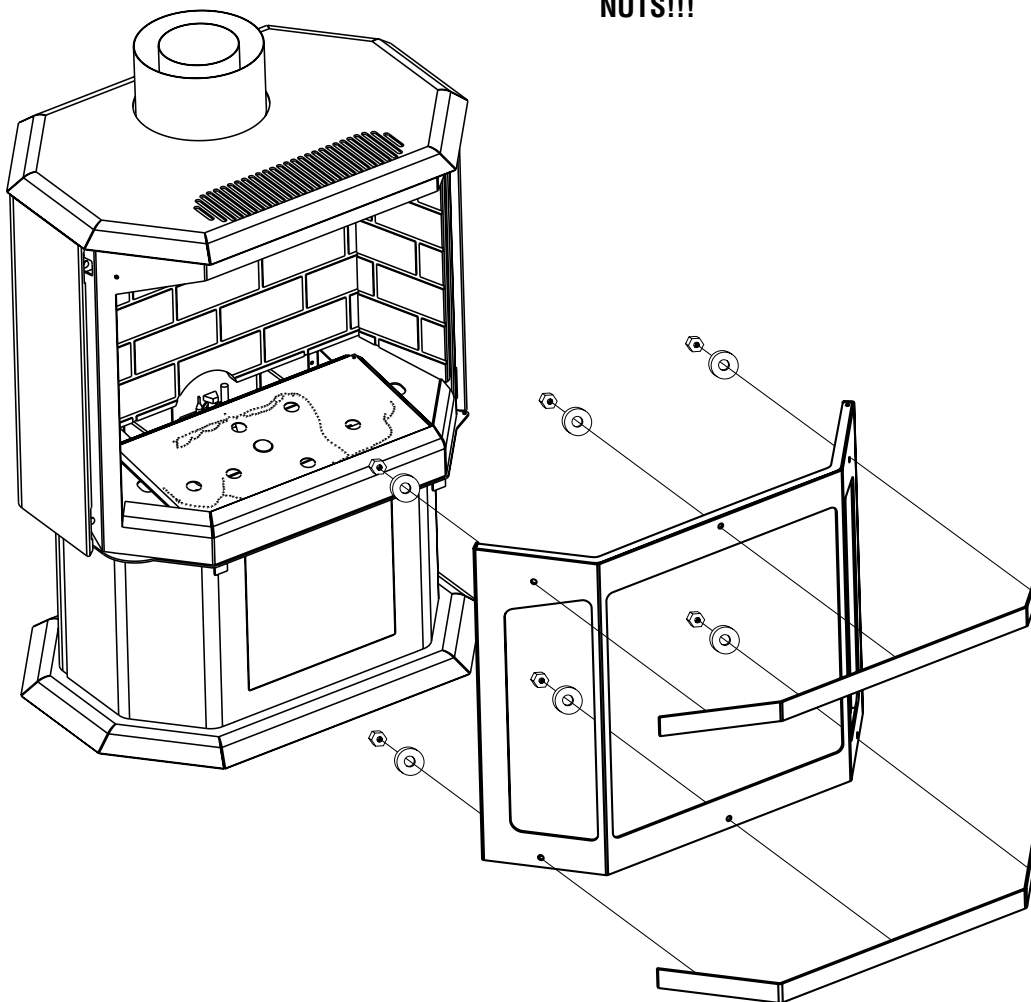
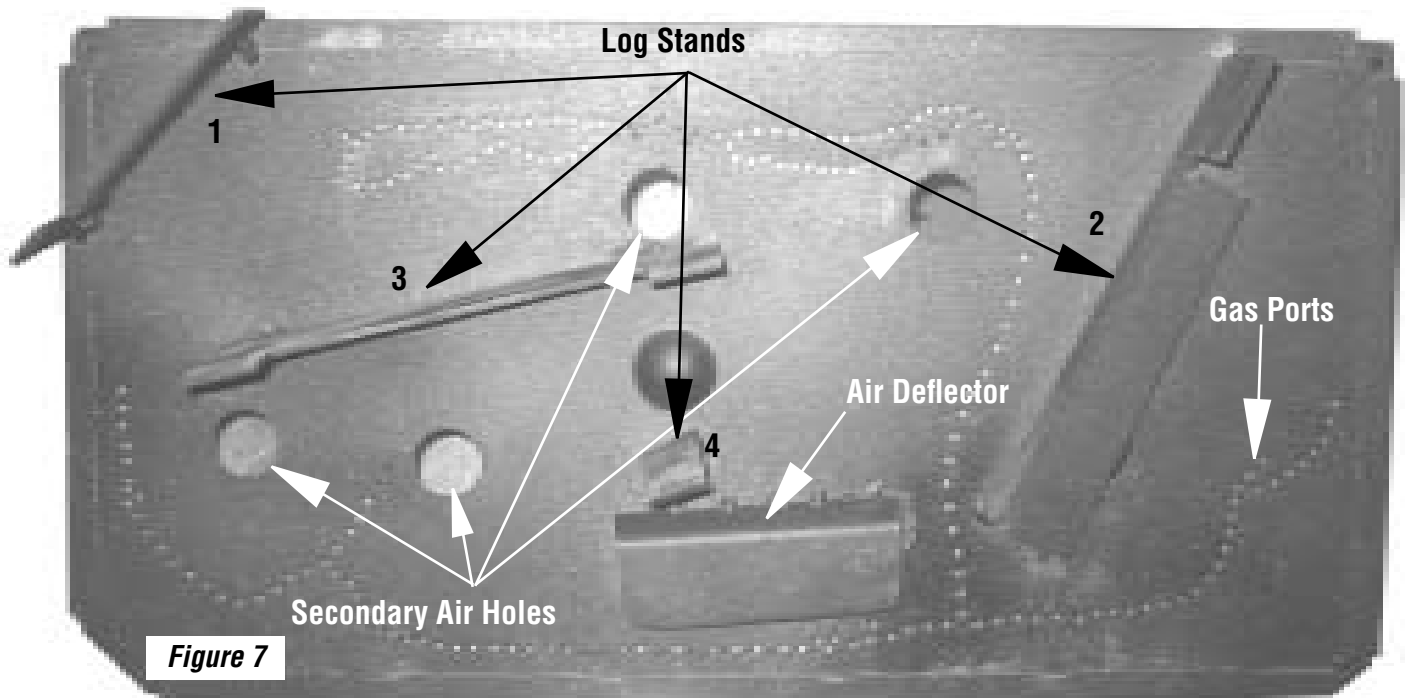


Figure 6

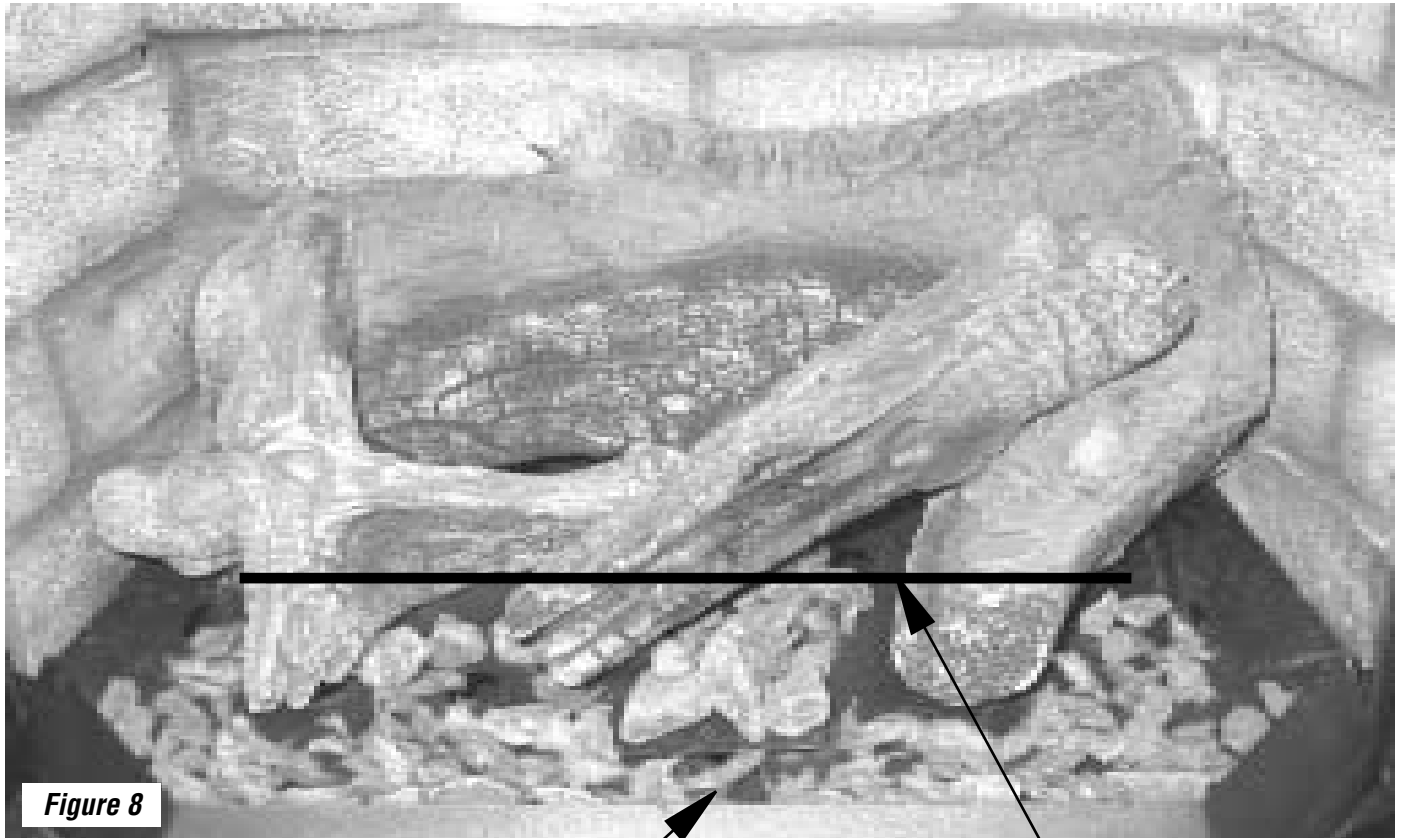
NOTE: DIAGRAMS & ILLUSTRATIONS ARE NOT TO SCALE.

Firebox Setup

Burner Pan Diagram



Completed Firebox Setup



To ensure a proper burn leave a 1" space free of any embers or rockwool directly in front of the air deflector (see Burner Pan Diagram above).

Do not cover any secondary air holes or gas ports (see Burner Pan Diagram above) behind this line.

NOTE: DIAGRAMS & ILLUSTRATIONS ARE NOT TO SCALE.

Brick Panel Installation

CAUTION: The brick panels are required for your appliance to function correctly and safely.

Packaging List: Rear brick panel (A), left brick panel (B), right brick panel (C), retaining brackets (D) - in flue restrictor bag

1. Remove the brick panels from the box and carefully unwrap them. The panels are fragile, so handle them with care. Remove the bag containing the brick retaining brackets (D) and flue restrictors from the firebox.

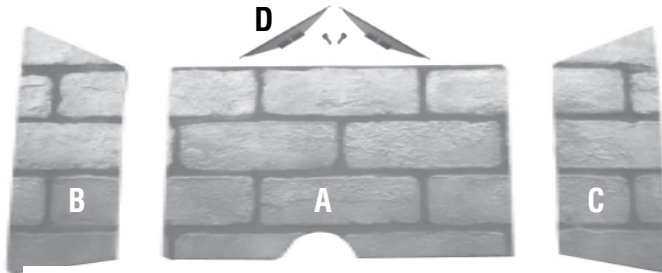


Figure 9

2. Install the rear brick panel (A) bottom first and stand it flush against the rear of the firebox ensuring the pilot cutout is at the bottom directly above the pilot.

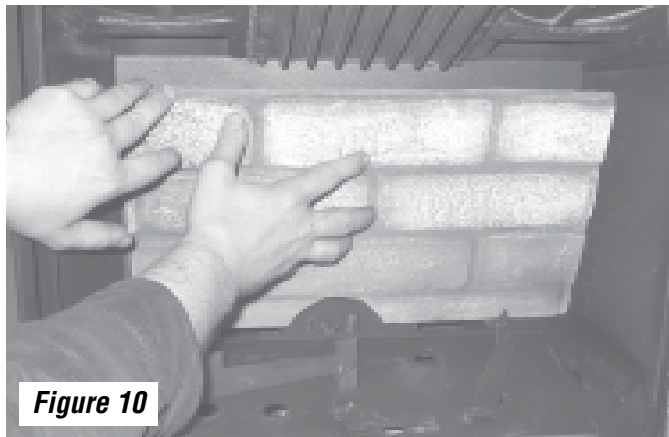


Figure 10

3. Install the left panel (B) bottom first and stand flush against left wall of firebox. Repeat for right panel (C) against the right wall of firebox.



Figure 11

4. Using the included screws, install the brick retaining brackets (D) above the left and right brick panels (B and C).

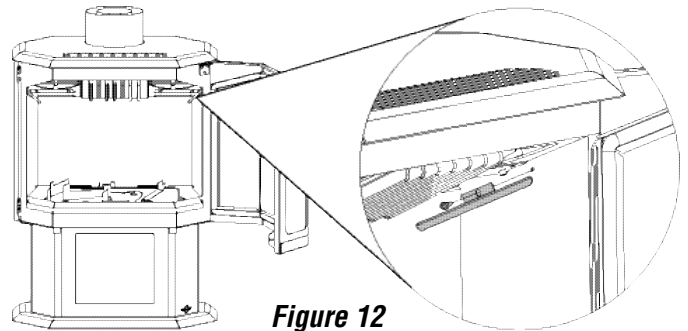


Figure 12

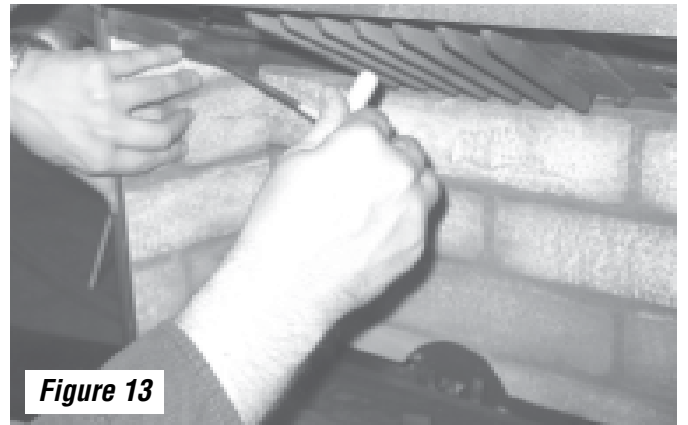


Figure 13



Figure 14

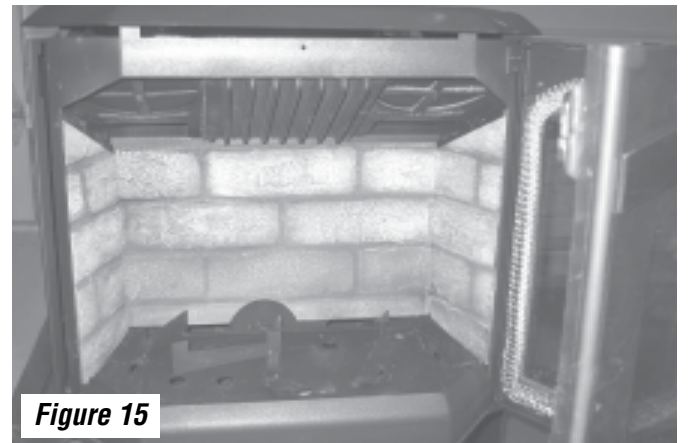


Figure 15

NOTE: DIAGRAMS & ILLUSTRATIONS ARE NOT TO SCALE.

Log Set and Ember Installation

If logs are not installed according to the log installation instructions, flame impingement and improper combustion could occur and result in soot and/or excessive production of carbon monoxide (CO), a colorless, odorless, toxic gas.

The size and position of the log set is critical to achieve a safe, reliable and attractive flame pattern. Any attempt to use a different log set in the fireplace will void the warranty and will result in incomplete combustion, sooting and poor flame quality.

Packaging List: Log set [rear log (A), left rear log (B), left front log (C), center log (D)], embers (E) and rockwool (F)

1. Carefully remove the logs from their packaging and ensure you have a complete set. **The logs are fragile, so handle them with care.**

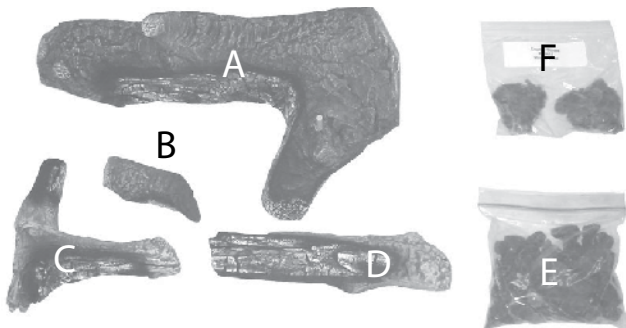


Figure 16

2. Install left rear log (B) onto the front half of log stand 1 (see *Burner Pan Diagram, Page 10*). When installed correctly it should sit firmly in place with the charred surface facing the center of the firebox.



Figure 17

3. Place the rear log (A) onto log stands 1 and 2 (see *Burner Pan Diagram, Page 10*). The charred surface of the log should face the front.
4. Place the embers (E) on the burner pan. Using the larger embers first, create a small pile on the elevated air deflector near the center and place them along the front edge of the burner (leaving about 1/4" in between each ember and a 2" gap in the center). It will not affect the performance, but smaller embers may fall into the front air gap. Place the rest of the embers throughout the firebox taking care not to block off any secondary air holes or gas ports (see example below for proper placement of embers).

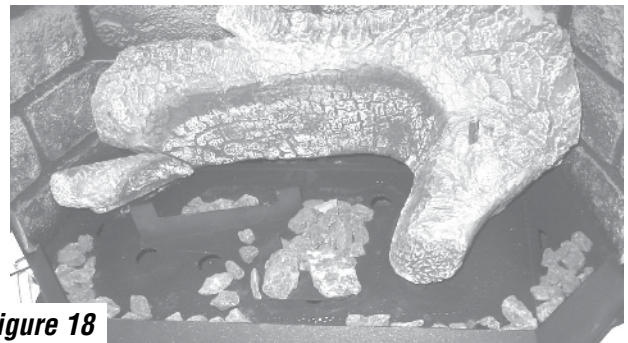


Figure 18

5. Place the rockwool (F) over the gas ports and in between the embers along the front of the firebox. The rockwool can be placed over gas ports but do not cover the secondary air holes (see *Burner Pan Diagram, Page 10*).

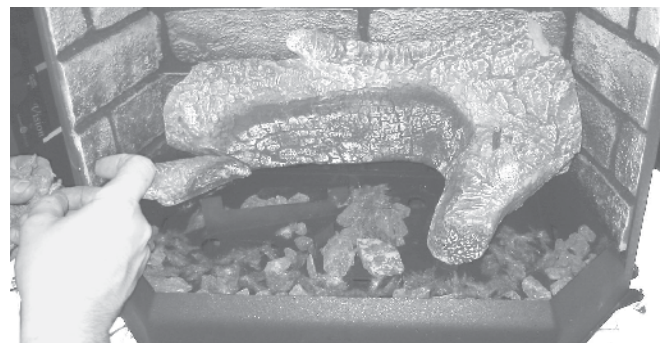


Figure 19

6. Place the left front log (C) on log stand 3 (see *Burner Pan Diagram, Page 10*) and the center log (D) spanning from log stand 4 to the peg found on the right side of rear log (A). When installed correctly, both logs should sit firmly in place with the charred side facing forward.

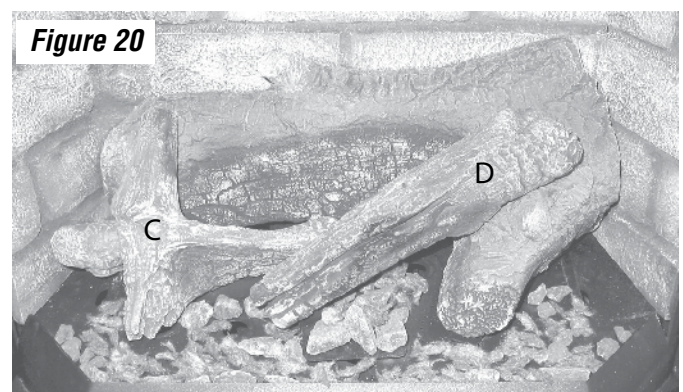


Figure 20

NOTE: All logs are designed to fit only one way. For the appliance to function properly, it is essential that the logs be installed correctly. See below for an example of a correctly burning Epic™ gas stove.

NOTE: DIAGRAMS & ILLUSTRATIONS ARE NOT TO SCALE.



Figure 21

Vent Installation

Venting:

The Epic™ gas stove has been tested and listed as a direct vent heater system by OMNI-Test Laboratories, Beaverton, Oregon and is recommended for use with Security™ Secure Vent pipe*. Use only approved chimney brands with this appliance.

Important:

- Read all instructions carefully before starting the installation. Failure to follow these instructions may create a fire or other safety hazard and will void the warranty. Be sure to check for specific clearances to combustible requirements on **Page 8**. **Do not extend the venting system vertically or horizontally in excess of the distance prescribed on Page 16**. Consult your local building codes before beginning the installation.
- **Always maintain the proper air spaces between the vent pipe and nearby combustibles to prevent a fire hazard.** Do not fill air spaces with insulation. Be sure to check the vent termination clearance requirements from decks, windows, soffits, gas regulators, air supply inlets and public walkways, as specified in these installation instructions on **Page 17** and local building codes.
- **This gas stove and vent system must be vented directly to the outside of the building and never be attached to a chimney serving a separate solid fuel or gas-burning appliance.** Each direct vent gas appliance must use its own separate vent system. Common vent systems are prohibited.
- The Epic gas stove is recommended for use with Security™ Secure Vent pipe*. The appliances and vent manufacturers warranties will be voided and serious fire, health, or other safety hazards may result from any of the following actions:
 - Installation of any damaged direct vent component.
 - Unauthorized modification of the direct vent system.
 - Installation of any vent component part not approved or manufactured by the approved vent manufacturer.
 - Installation other than as instructed by Lennox Hearth Products and vent manufacturers instructions.

Residential and Mobile Home Installations:

These are the minimum pieces required. Other parts may be required for your particular installation.

Minimum Components for Horizontal Installation:

Horizontal Termination Kit which includes:

- 1 6-5/8" x 6" Black Pipe
- 1 Riser Vent Terminal
- 1 Wall Penetration Heat Shield (Wall Thimble) (2 pcs)
- 1 Decorative Wall Trim (black)
- 1 Tube Mill-Pac
- Screws

Optional Components:

- 45° Elbow
- Vinyl Siding Shield for Riser Vent Terminal
- Vent Guard
- Snorkel Termination (36")
- Snorkel Termination (14")
- Wall Penetration Heat Shield

Vent Considerations:

Twist-lock procedure: Four indentations on female ends of pipes and fittings are designed to slide straight onto male ends of adjacent pipes and fittings by orienting the four pipe indentations so they match and slide into the four entry slots. Push pipe sections completely together, then twist-lock one section clockwise approximately one-quarter turn until the two sections are fully locked. The female locking lugs will not be visible from the outside on the pipe or fittings. They may be located by examining the inside of the female ends.

Supports: Horizontal runs of vent must be supported every 3 feet. Wall straps are available for this purpose.

Pipe Sealing: If Simpson Dura-Vent pipe is used, the pipe must be sealed as follows: seal both the inner and outer pipes with a high temperature silicone sealant rated for at least 600°F (commonly know as "RTV"). Run a 1/8" (3mm) bead of silicone around outside of male end of outer sleeve. Run a 1/8" (3mm) bead of silicone about 1/4" (6mm) from the end of the male inner pipe, which is found in the pipe to be attached above. Twist-lock the pipes or fittings together.

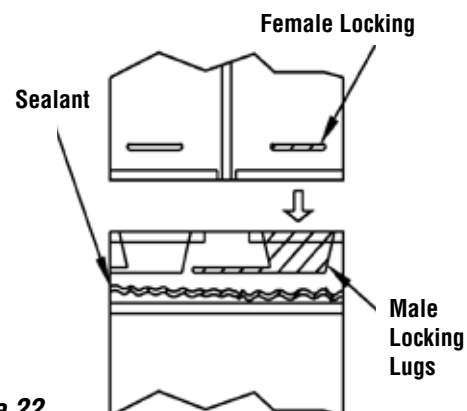


Figure 22

* Other approved chimney brand is Simpson Dura-Vent DV-GS.

Vent Parts List

Direct vent pipe Security™ Secure Vent™ * may be used with the Epic™ gas stove. Please see the lists below to verify the components available from each direct vent pipe manufacturer. Snorkel terminations are available for applications which may require vertical rise on the building exterior. The components listed below come in a galvanized finish. Most of the components are also available in a painted black finish. Add a "B" to the end of the part number when ordering if a black part is desired.

Security™ Secure Vent 6-5/8" x 4" Pipe

Part Number	Description
SV4LC	6" Pipe Length
SV4L12	12" Pipe Length
SV4L24	24" Pipe Length
SV4L36	36" Pipe Length
SV4L48	48" Pipe Length
SV4LA	6" Pipe, Adjustable
SV4LA12	12" Pipe, Adjustable
SV4FA	Flashing, 1/12 to 6/12 Roof Pitch
SV4FB	Flashing, 7/12 to 12/12 Roof Pitch
SV4RSM	Wall Radiation Shield
SV4E46	45° Elbow
SV4E90	90° Elbow
SV4VS	Vinyl Shield Protector
SV4FC	Storm Collar
SV4CGV	Vertical Termination Cap
SV4BF	Firestop
SV4CHC	Horizontal Termination Cap
SV4STC36	Snorkel Termination Cap (36")
SV4STC14	Snorkel Termination Cap (14")
SV4BM	Wall Band

Simpson Dura-Vent GS 6-5/8" x 4" Pipe

Part Number	Description
908	6" Pipe Length
907	9" Pipe Length
906	12" Pipe Length
904	24" Pipe Length
903	36" Pipe Length
902	48" Pipe Length
911	11" to 14-5/8" Pipe, Adjustable
942	Wall Thimble
940	Rnd Support Box/Wall Thimble Cover
941	Cathedral Ceiling Support Box
943	Flashing, 0/12 to 6/12 Roof Pitch
943S	Flashing, 7/12 to 12/12 Roof Pitch
945	45° Elbow
990	90° Elbow
950	Vinyl Siding Standoff
953	Storm Collar
963	Ceiling Firestop
988	Wall Strap
981	Snorkel Termination (36")
982	Snorkel Termination (14")
984	Horizontal Termination Cap
985	Horizontal Termination Cap (High Wind)
980	Vertical Termination Cap
991	Vertical Termination Cap (High Wind)

Horizontal Vent Installation

Venting terminals may not be recessed into a wall or siding.

1. Set the unit in the desired location. Check whether or not wall studs are in the way when the venting system is attached. If wall studs are in the way, you may want to adjust the location of the unit.
2. All horizontally terminated vent installations may only use 6-5/8" x 4" Security™ Secure Vent pipe*.
3. Assemble the desired combination of pipe and elbow(s) to the appliance adapter with pipe seams facing down. Offsetting the pipe seams as double seams in one place will cause the outer pipe to take an oval shape.
4. When this pipe passes through a wall, a wall thimble - Simpson #942 or Security™ #SV4RSM - is required. The hole in the wall for the wall thimble should be 9-1/4" x 10-1/4". If the wall being penetrated is constructed of non-combustible material (i.e. masonry block or concrete), a 7" diameter hole is acceptable and a wall thimble is not required.
5. Horizontal runs of vent pipe must be supported every 3 feet. Wall straps - Simpson #988 or Security™ #SV4BM - are available for this purpose.
6. If the vent passes through a ceiling or floor, a firestop - Simpson #963 or Security™ #SV4BF - is required.
7. Also note that venting terminals shall not be recessed into a wall or siding. If installing the termination cap on a wall covered with vinyl siding, a vinyl siding standoff - Simpson #950 or Security™ #SV4VS - or furring strips must be used to ensure that the termination cap is not recessed into the siding.
8. The horizontal run of vent should have a 1/4" (6mm) rise for every 12" of run toward the termination. Never allow the vent to run downward. This could cause high temperatures and may present the possibility of a fire.
9. The location of the horizontal vent termination on an exterior wall must meet all local and national building codes and must not be blocked or obstructed. For allowable external vent termination locations see **Page 17**.
10. Allowable clearances from the vent pipe to combustible materials must be maintained. See **Page 8** for these clearances.
11. Do not locate the termination cap where it may be blocked by shrubbery or snow.

* Other approved chimney brand is Simpson Dura-Vent DV-GS.

Vertical Vent Installation

Important Notes

1. All vertically terminated vent installations use 6-5/8" x 4" Security™ Secure Vent™ pipe*.
2. If the vent passes through a ceiling or floor, a firestop - Simpson #963 or Security™ #SV4BF - is required.
3. If the vent passes through the roof, a roof flashing - Simpson #943 or 943S or Security™ #SV4FA or SV4FB - and storm collar - Simpson #953 or Security™ #SV4FC - are required.
4. A 1-inch clearance from the vent pipe to combustible materials must be maintained.
5. A maximum of either two 45° elbows or two 90° elbows may be used. See **Page 16** for allowable offsets.
6. The maximum system height is 30 feet (9.1M) and the minimum is 10 feet (3M).

Flue Restrictors

This stove requires a balanced flue to ensure proper combustion. As such, flue restrictors may need to be installed depending on the vent configuration of your stove. The drawings on the next page show all the allowable pipe configurations for the Epic™ gas stove. To properly install the flue restrictors, find your pipe configuration in the drawings on the next page and note which restrictor setting is recommended. The flue restrictors are shipped in the firebox of your stove. Install the flue restrictors using the four allen head screws according to the diagram below. Install the flue restrictor screws in their original holes in the top of the firebox. Restrictor positions are based on tests run in a laboratory.

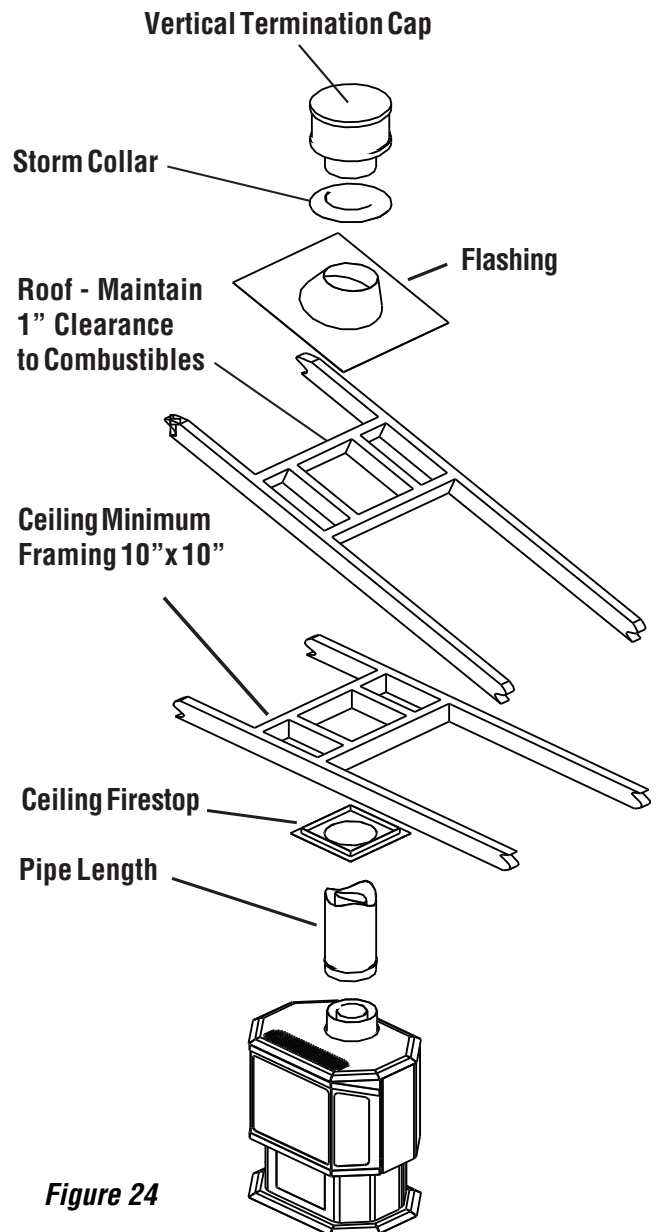


Figure 24

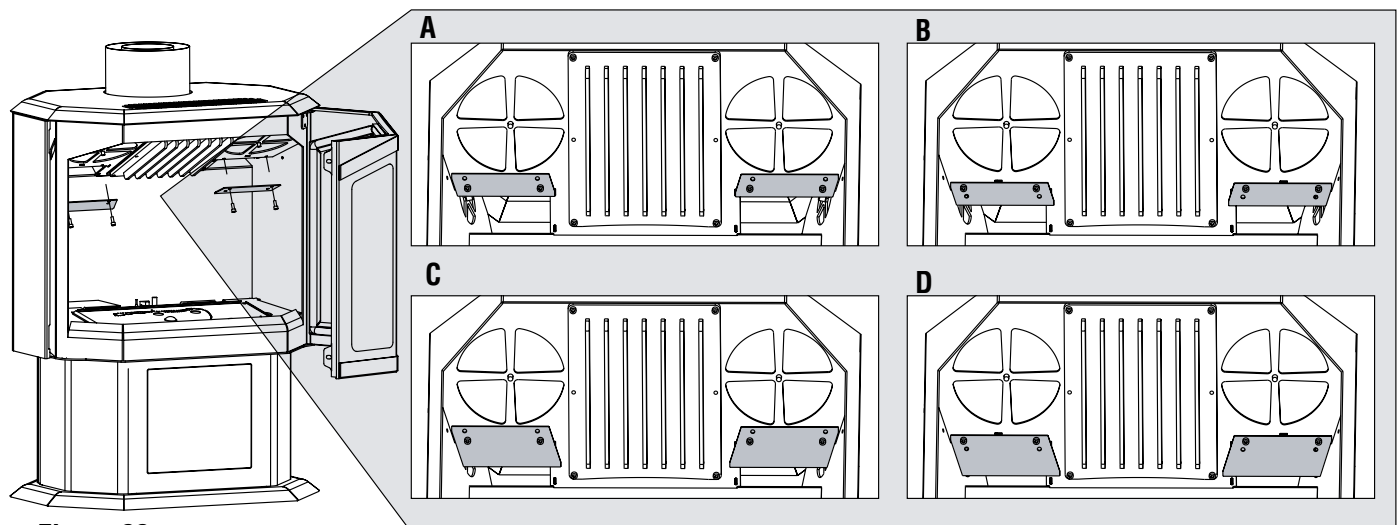


Figure 23

* Other approved chimney brand is Simpson Dura-Vent DV-GS.

Horizontal Terminations

The shaded areas in the diagram below show all allowable combinations of vent configurations with horizontal terminations. Horizontal sections of pipe require 1/4" of rise for every 12" of run. A second 90° or 45° elbow (in addition to the first 90° elbow at the top of the vertical length of pipe) is allowed as long as the overall length of the horizontal run of pipe does not exceed those shown below. Use the restrictor positions indicated. Note that if the termination cap falls in the unshaded area, then no restrictor is installed in the stove.

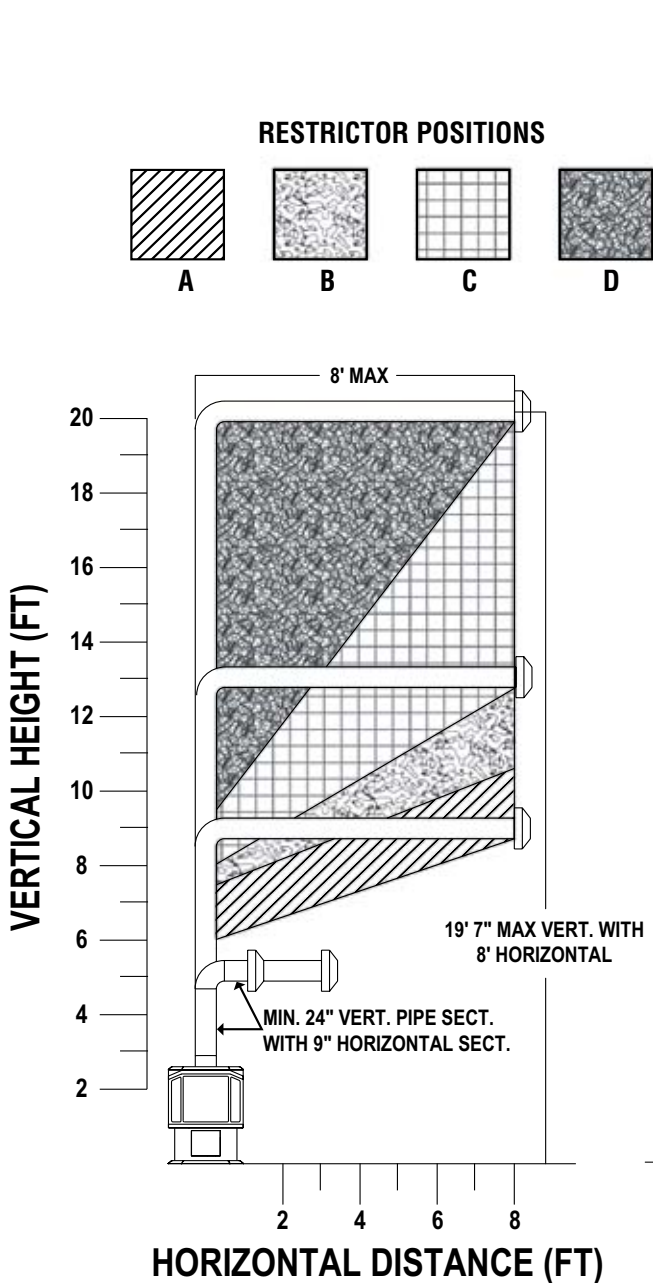


Figure 25

Vertical Terminations

The diagram below shows all allowable combinations of straight vertical and offset to vertical vent configurations with vertical terminations. The termination must fall within the shaded areas on the diagram. Use the restrictor positions indicated. Offsets may consist of two 90° elbows OR four 45° elbows. The minimum termination height is 10 feet and the maximum is 30 feet.

NOTE: Horizontal pipe requires 1/4" rise for every 12" of run. Offsets must remain within max and min lines. Vertical height is measured from the bottom of stove.

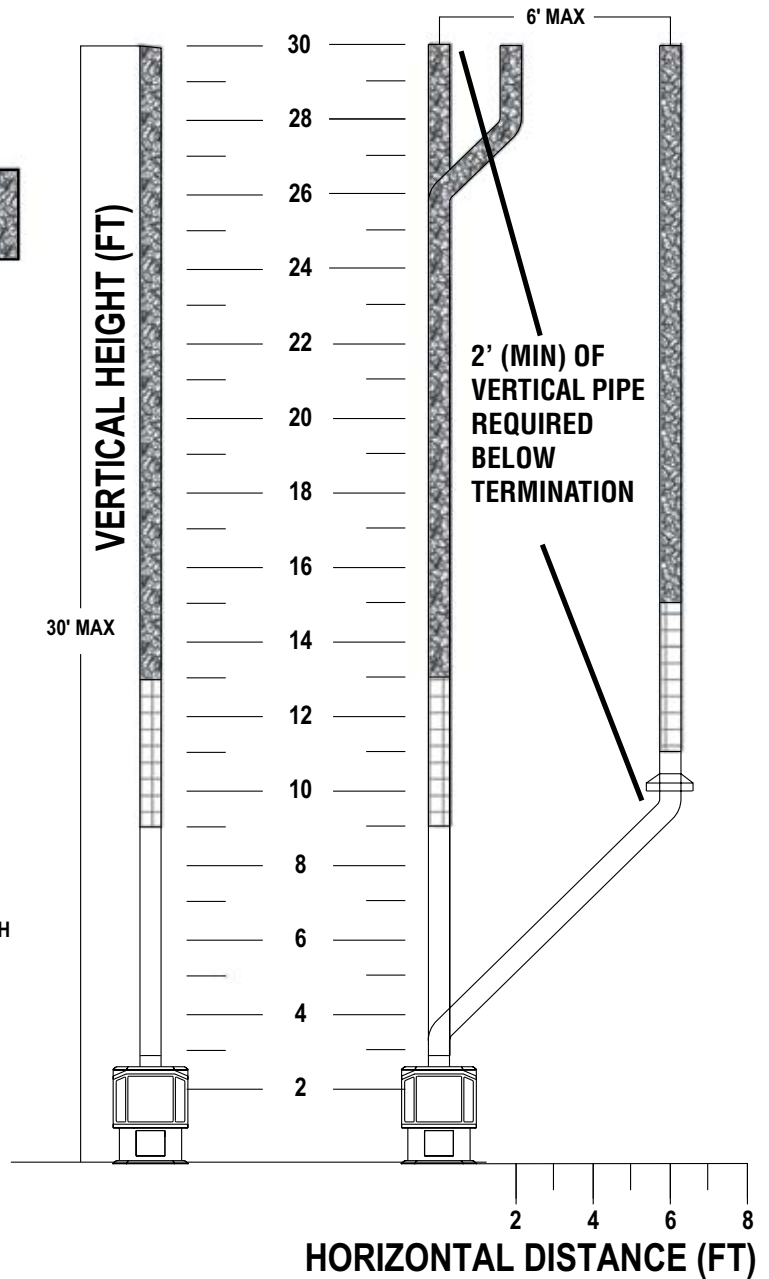
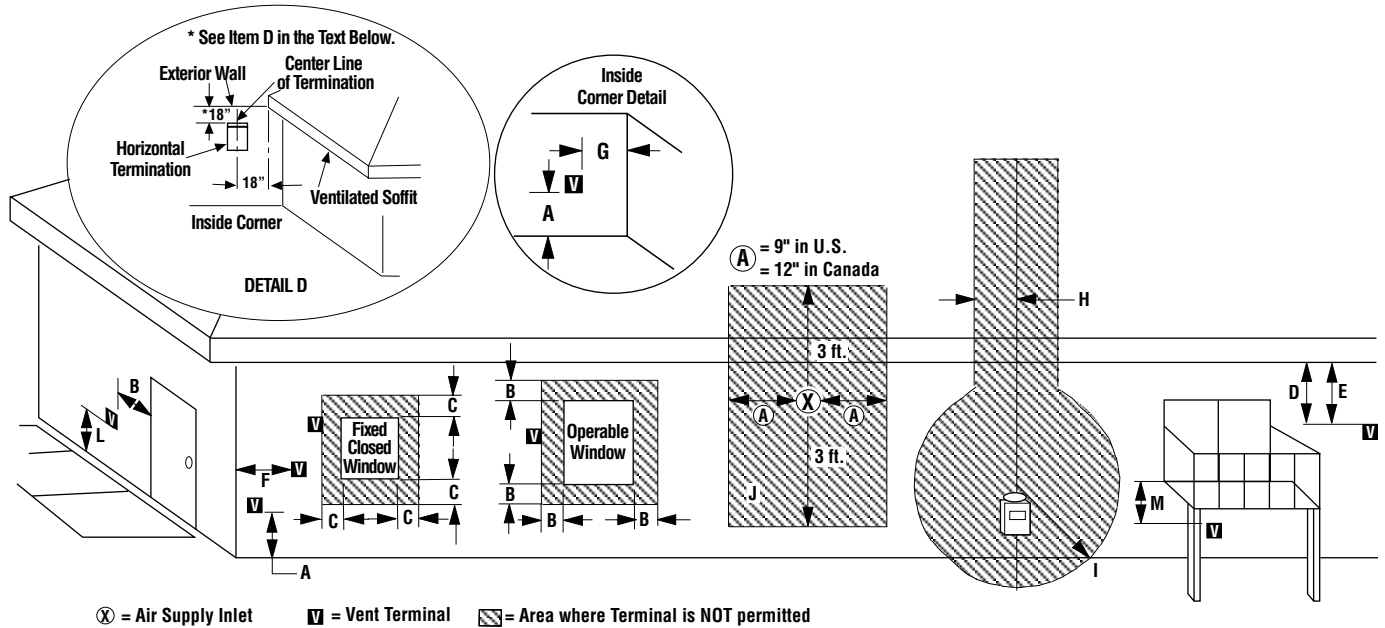


Figure 26

Exterior Horizontal Vent Termination Clearance Requirements



Minimum Clearances	Canadian Installation *	US Installation **
A = Clearance above grade, veranda, porch, deck or balcony.	12 inches (30 cm) *	12 inches (30 cm) **
B = Clearance to window or door that may be opened.	6 in. (15.2 cm) for appliances < 10,000 BTU/hr (3kW), 12 in. (30 cm) for appliances > 10,000 BTU/hr (3kW) and < 100,000 BTU/hr (30kW), 36 inches (91 cm) for appliances > 100,000 BTU/hr (30kW)*	6 in. (15.2 cm) for appliances < 10,000 BTU/hr (3kW), 9 in. (23 cm) for appliances > 10,000 BTU/hr (3kW) and < 50,000 BTU/hr (15kW), 12 inches (30 cm) for appliances > 50,000 BTU/hr (15kW)*
C = Clearance to permanently closed window	12 inches (305 mm) recommended to prevent window condensation	9 inches (229 mm) recommended to prevent window condensation
D = Vertical clearance to ventilated soffit located above the terminal within a horizontal distance of 18 in. (458 mm) from the center line of the terminal	18 inches (458 mm)	18 inches (458 mm)
E = Clearance to unventilated soffit	12 inches (30 cm)	12 inches (30 cm)
F = Clearance to outside corner	5 inches (12.7 cm)	5 inches (12.7 cm)
G = Clearance to inside corner	6 in. (15 cm)	6 in. (15 cm)
H = Clearance to each inside of center line extended above meter / regulator assembly	3 feet (91 cm) within a height of 15 feet above the meter / regulator assembly *	3 feet (91 cm) within a height of 15 feet above the meter / regulator assembly **
I = Clearance to service regulator vent outlet	3 feet (91 cm) *	3 feet (91 cm) **
J = Clearance to non-mechanical air supply inlet to building or the combustion air inlet to any other appliance	6 in. (15.2 cm) for appliances < 10,000 BTU/hr (3kW), 12 in. (30 cm) for appliances > 10,000 BTU/hr (3kW) and < 100,000 BTU/hr (30kW), 36 inches (91 cm) for appliances > 100,000 BTU/hr (30kW)*	6 in. (15.2 cm) for appliances < 10,000 BTU/hr (3kW), 9 in. (23 cm) for appliances > 10,000 BTU/hr (3kW) and < 50,000 BTU/hr (15kW), 12 inches (30 cm) for appliances > 50,000 BTU/hr (15kW)*
K = Clearance to mechanical air supply inlet	6 feet (1.8 meters) *	3 feet (91 cm) above, if within 10 feet (3 m) horizontally**
L = Clearance above paved sidewalk or paved driveway located on public property	7 feet (2.13 m) ‡	7 feet (2.13 m) ‡
M = Clearance under veranda, porch, deck or balcony	12 in. (30 cm) * ‡	12 in. (30 cm) ** ‡

* In accordance with the current CSA-B149.1 National Gas and B149.2 Propane Installation Code - Latest Editions.

** In accordance with the current ANSI Z223.1 / NFPA 54 National Fuel Codes - Latest Edition.

‡ A vent shall not terminate directly above a sidewalk or paved driveway which is located between two single family dwellings and serves both dwellings.

*‡ Only permitted if veranda, porch, deck or balcony is fully open on a minimum 2 sides beneath the floor.

Figure 27

NOTE: DIAGRAMS & ILLUSTRATIONS ARE NOT TO SCALE.

Gas Line Installation

This stove must be connected to the gas line in accordance with local codes and/or the National Fuel Gas Code, ANSI Z223.1 (In Canada, the current CAN/CSA B149.1 installation code). Remove the four screws holding the back of the pedestal in place. Slide rear cover back far enough to gain access to the inside of the pedestal. Remove plastic plug from the 3/8" x 9" pipe. Connect gas line to the 3/8" x 9" pipe. After connecting the gas line, all joints in the line and connections at the valve should be checked for leaks before final positioning of the unit. Conduct a gas leakage test of the appliance piping and control system downstream of the shutoff valve in the supply line to the appliance.

Gas Pressure Requirements

A MAJOR CAUSE OF OPERATING PROBLEMS WITH GAS APPLIANCES IS IMPROPER GAS PRESSURE!

The most important item to check during the initial installation and the first thing to check when operating problems occur is gas pressure! This appliance will not function properly unless the required gas pressure is supplied. See the table on this page for gas pressure requirements.

Two pressure taps are provided on the stove's valve to check gas pressures. To access the taps, remove the four socket head screws from the valve control panel. The taps are located below the On/Off/Pilot knob (see **Figure 20** on **Page 20**). The left tap is the inlet (supply) pressure side. To check inlet pressure (with the stove burning) insert a small flat-bladed screwdriver into the tap and turn a half-turn counterclockwise. Cover the tap with the line from the manometer and check the pressure. Close the tap gently but securely after completing the check. The manifold (outlet) tap is to the right of the inlet tap. To check manifold pressure (with the stove burning at the high burn setting) insert a small flat-bladed screwdriver into the tap and turn a half-turn counterclockwise. Cover the tap with the line from the manometer and check the pressure. Again close the tap gently but securely after completing the check. Check the taps for gas leaks with a gas leak test solution (retighten if necessary).

If the pressure is not sufficient, make sure the gas supply line is large enough, the supply regulator is properly adjusted and the total gas load for the residence does not exceed the amount supplied.

The appliance and its individual shut off valve must be disconnected from the gas supply piping system during any pressure testing of that system at test pressures in excess of 1/2 psig.

The appliance must be isolated from the gas supply piping system by closing its individual manual shut-off valve during any pressure testing of the gas supply piping system at test pressures equal to or less than 1/2 psig. Check with your gas supplier or plumber.

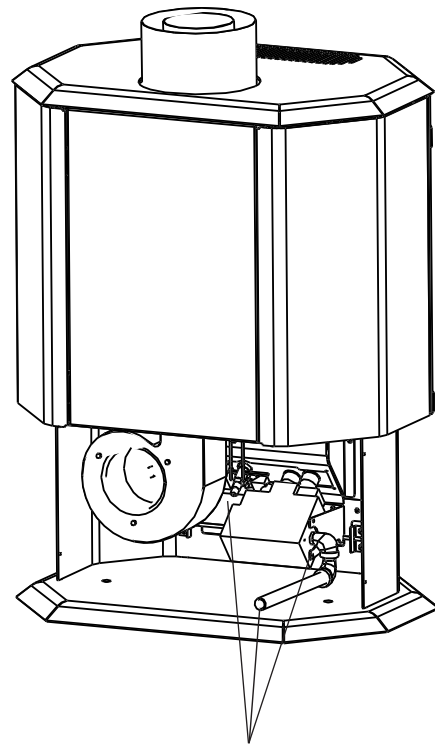


Figure 28

Check all connections for leaks using a gas leak test solution.

Fuel Type	Inlet Pressure			Manifold Pressure	
	Desired	Minimum	Maximum	On Hi Fire	On Lo Fire
Natural Gas	7" WC	5" WC	10.5" WC	3.5" WC	1.7" WC
LP Gas	11" WC	11" WC	13" WC	10" WC	6.0" WC

LP and Natural Gas Supplies:

Your Epic™ gas stove is equipped from the factory for use with natural gas only as specified on the Safety / Listing label attached to the appliance. This appliance can only be operated using propane gas (LP) if a certified fuel conversion kit provided by Lennox Hearth Products is installed by a qualified service technician.

Also check the orifice size on the label on the igniter bracket. It must be the correct size for the fuel and altitude.

Do not run propane tank dry. Running the tank dry may cause a hazardous condition due to pressure drop in empty tank.

Solid fuel is NOT to be used with this unit.

Operating Instructions

Pre-Lighting Checklist:

Be sure to check these items before the initial lighting of the stove:

- The stove gas label corresponds to the gas supply available - that is "natural gas" for natural gas or "LP gas" for LP gas.
- Gas pressure has been checked carefully - see **Page 18**.
- All gas fittings have been checked for leaks.
- All clearances to combustibles have been met - see **Page 8**.
- All combustible materials have been removed from area in front of the stove.
- All vented areas of the stove are unobstructed.
- House is ventilated to clear initial paint curing odors - see **Page 21**.
- All packaging materials have been removed from the firebox.
- While stove is cool, fingerprints or other marks have been cleaned from any gold or nickel surfaces with denatured alcohol and a soft cloth. Marks left on these surfaces may become etched into the finish if not removed prior to burning the unit.
- Brick panel, log set and embers have been installed.
- The glass door is in place and is properly sealed.

Lighting Instructions:

The following is a copy of the operating and lighting instructions found with each stove:

FOR YOUR SAFETY READ BEFORE OPERATING

WARNING: IF YOU DO NOT FOLLOW THESE INSTRUCTIONS EXACTLY, A FIRE OR EXPLOSION MAY RESULT CAUSING PROPERTY DAMAGE, INJURY, OR LOSS OF LIFE.

CAUTION: HOT WHILE IN OPERATION. DO NOT TOUCH. KEEP CHILDREN, FURNITURE, GASOLINE AND OTHER LIQUIDS WITH FLAMMABLE VAPORS AWAY. NEVER OPERATE UNIT WITH GLASS DOOR OFF OR ATTEMPT TO OPEN THE DOOR WHILE HOT.

- A. This appliance is equipped with a piezo ignition device to light the pilot. When lighting the pilot, follow these instructions exactly.
- B. **BEFORE LIGHTING**, smell around the appliance area for gas. Be sure to smell next to the floor, because some gas is heavier than air and will settle on the floor.

WHAT TO DO IF YOU SMELL GAS:


DO NOT try to light the appliance. **DO NOT** touch any electric switch. **DO NOT** use any phone in the building. Immediately call your gas supplier from a neighbor's phone. Follow the gas supplier's instructions. If you cannot reach your gas supplier, call the fire department.

- C. Use only your hand to push in or turn the gas control knob. Never use any tool. If the knob will not push in or turn by hand, don't try to repair it, call a qualified service technician. Force or attempted repair may result in a fire or explosion.
- D. **DO NOT** use this appliance if any part has been under water. Immediately call a qualified service technician to inspect the appliance and to replace any part of the control system and any gas control which has been under water.


OPERATING INSTRUCTIONS




CAUTION: YOUR LENNOX™ GAS APPLIANCE MUST ALWAYS BE OPERATED WITH THE GLASS DOOR IN PLACE.

STOP!! Read the safety information above before proceeding.


1. Make sure gas supply shut off cocks are open and ON/OFF rocker switch is "OFF." If equipped with a thermostat, set it to the lowest setting.
2. Turn off all electrical power to the appliance.
3. Push in gas cock dial slightly and turn clockwise  to "OFF".

NOTE: Dial cannot be turned from "PILOT" to "OFF" unless dial is pushed in slightly. Do not force.

4. Wait five minutes to clear out any gas. If you smell gas, STOP!! Follow "B" above. If you don't smell gas, continue.
5. Locate the pilot by looking through the hole under the right front log. Blue flame will be seen when the pilot is lit.
6. Turn the gas control knob counter-clockwise  to the "PILOT" position.
7. Push the knob all the way in and hold in that position. Immediately light the pilot by pressing the igniter button several times until pilot is lit. Continue to hold the knob in for about 30 seconds after the pilot is lit. Release knob and it will pop back out. Pilot should remain lit. If it goes out, repeat steps 4-8 holding knob in an additional 15 seconds after pilot is lit. If knob does not pop out when released, stop and immediately call your service technician or gas supplier. If the pilot will not stay lit after several tries, turn the gas control knob to "OFF" and call your service technician or your gas supplier.

8. After pilot is lit, turn gas control counter-clockwise  to "ON." Knob can only be turned "ON" if the knob has popped out.
9. To turn burner on, turn "ON/OFF" rocker switch to "ON" or set the thermostat to the desired temperature above room temperature.
10. Adjust the flame height (and heat output) by turning the flame height knob clockwise  for reduced flame and counter-clockwise  for full flame.
11. Set the blower to the desired air flow after it turns on when the appliance reaches operating temperature.

TO TURN OFF GAS TO APPLIANCE

1. Turn the "ON/OFF" rocker switch and/or thermostat (if installed) to "OFF."
2. Turn off electric power to the appliance if service is to be performed.
3. Turn gas control knob clockwise  to "OFF." Do not force.

This appliance needs fresh air for safe operation and must be installed so there are provisions for adequate combustion and ventilation air. See Installation and Operation Manual accompanying appliance.

SHUTDOWN PROCEDURE

To turn off the burner, turn the rocker switch to "OFF" or adjust the thermostat (if installed) to a setting below room temperature. The pilot will remain lit for future burner ignition. For complete shutdown, see "TO TURN OFF GAS TO APPLIANCE" above.

! WARNINGS

- **Improper installation, adjustment, alteration, service or maintenance can cause injury or property damage. For assistance or additional information, consult a qualified installer, service agency or your gas supplier.**
- **Operation of this appliance when not connected to a properly installed and maintained venting system can result in carbon monoxide (CO) poisoning and possible death.**
- **Carbon monoxide poisoning – early signs of carbon monoxide poisoning resemble the flu with headaches, dizziness, or nausea. If you have these signs, get fresh air at once! Have the heater inspected by a qualified service technician. Some people are more affected by carbon monoxide than others. These include pregnant women, people with heart or lung disease or anemia, those under the influence of alcohol and those at high altitudes.**

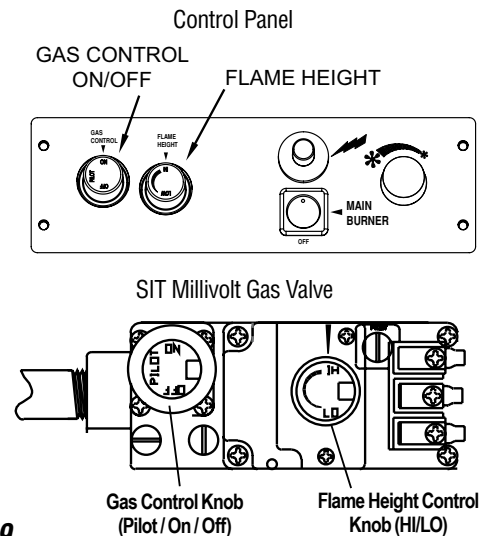


Figure 29

Flame Color and Behavior

Your stove is designed for maximum heating efficiency. Therefore, upon lighting of the main burner the flames will be semitransparent or "bluish." After 10-20 minutes of operation, the logs will heat up and the flames will become a yellow/orange color.

Adjusting the stove to cause the flames to turn orange sooner may result in poor combustion, sooting and a hazardous situation. See the drawing to the right showing proper flame appearance.

When testing for proper operation - If an optional thermostat is installed adjust it to its highest temperature setting. Visually determine that main burner gas is burning properly: i.e., no floating, lifting or flashback. Adjust the primary air shutter(s) as required. Check for proper main burner operation at both high and low flame.

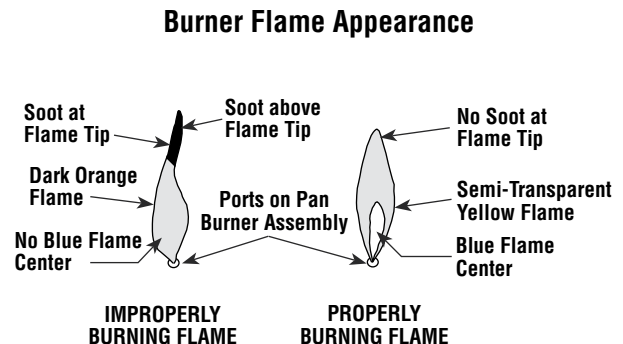


Figure 30

NOTE: DIAGRAMS & ILLUSTRATIONS ARE NOT TO SCALE.

Pilot Flame Appearance

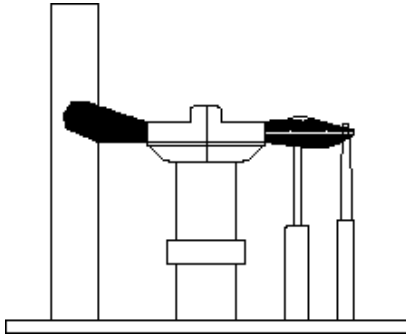


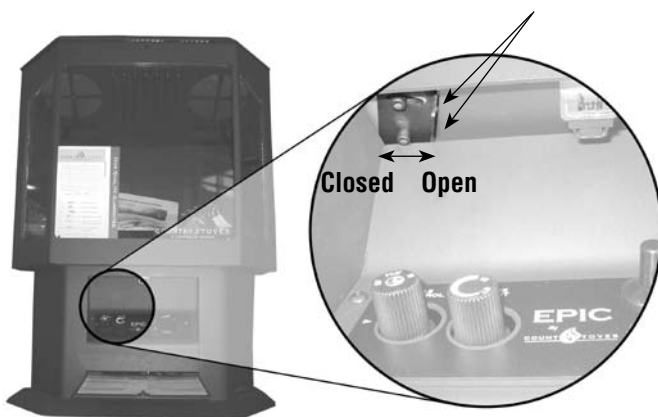
Figure 31

Air Shutter Adjustment

CAUTION: Air shutter is hot while the Epic™ gas stove is operating and should only be adjusted using a heat resistant glove.

The air shutter control lever is located inside the main control door above the control panel. The lever is linked to the primary air shutter on the main burner. The air shutter regulates the amount of primary air the burner receives and, therefore, how clean the stove burns. The air shutter should only be adjusted by a qualified gas technician. The stove should burn for about 15 minutes with the logs installed before adjusting the air shutter. Moving the lever to the left (closing the shutter) will raise the height of the flames as well as turn them more yellow/orange. Moving the lever to the right will open the shutter, turning the flames to a cleaner transparent blue and enhance the glow of the logs. **CAUTION: The air shutter should never be set so as to make the tips of the flames sooty or create sooting on the viewing glass, logs, or firebox ceiling. If soot begins to form after burning, the air shutter should be opened gradually until the sooting condition stops. Gas quality and gas pressure may vary, which can affect the burning characteristics of the stove.**

Loosen screws to adjust, tighten screws when adjustment is complete.



Air Shutter Adjustment Handle, highlighted

Figure 32

Quiet Operation

As the Epic gas stove is burning, a number of normal operational sounds may be heard. The flow of gas through the gas valve and orifice may make a rushing or whistling noise. If this noise is objectionable, it can be reduced by turning down the flame. Turning down the flame can reduce total heat output by more than 30%. When the blower turns on, the sound of rushing air may be heard. The blower sounds may be reduced by adjusting the speed control located on the blower assembly. Also, a slight clicking sound may be heard as the gas valve or blower switch is turned on and off.

Paint Curing

This stove has been painted with Stove Bright high temperature metallic paint. It leaves the factory dry to the touch, but completes the curing process as the stove is used. To cure the paint, burn the appliance four successive times for ten minutes each time with a five minute cool down between each firing. Also some parts of the appliance may be lightly coated with machining oil. Ventilate the house during these first firings as the paint and oil give off carbon dioxide and unpleasant odors. It is recommended that persons sensitive to an imbalance in the indoor air quality avoid the stove during the curing process.

Optional Wall Thermostat

If an optional wall thermostat is to be installed, install the thermostat per the manufacturers instructions (provided with the thermostat). Failure to follow manufacturers instructions could result in a malfunction. Pay special attention to the thermostat location requirements. If the location requirements are not adhered to the appliance, erratic operation or failure may occur.

Do not mount the thermostat where it may be affected by:

- Radiant heat from this appliance, fireplaces, sun or other heat sources.
- Drafts or dead spots behind doors or in corners.
- Hot or cold air from ducts.

Operating Options

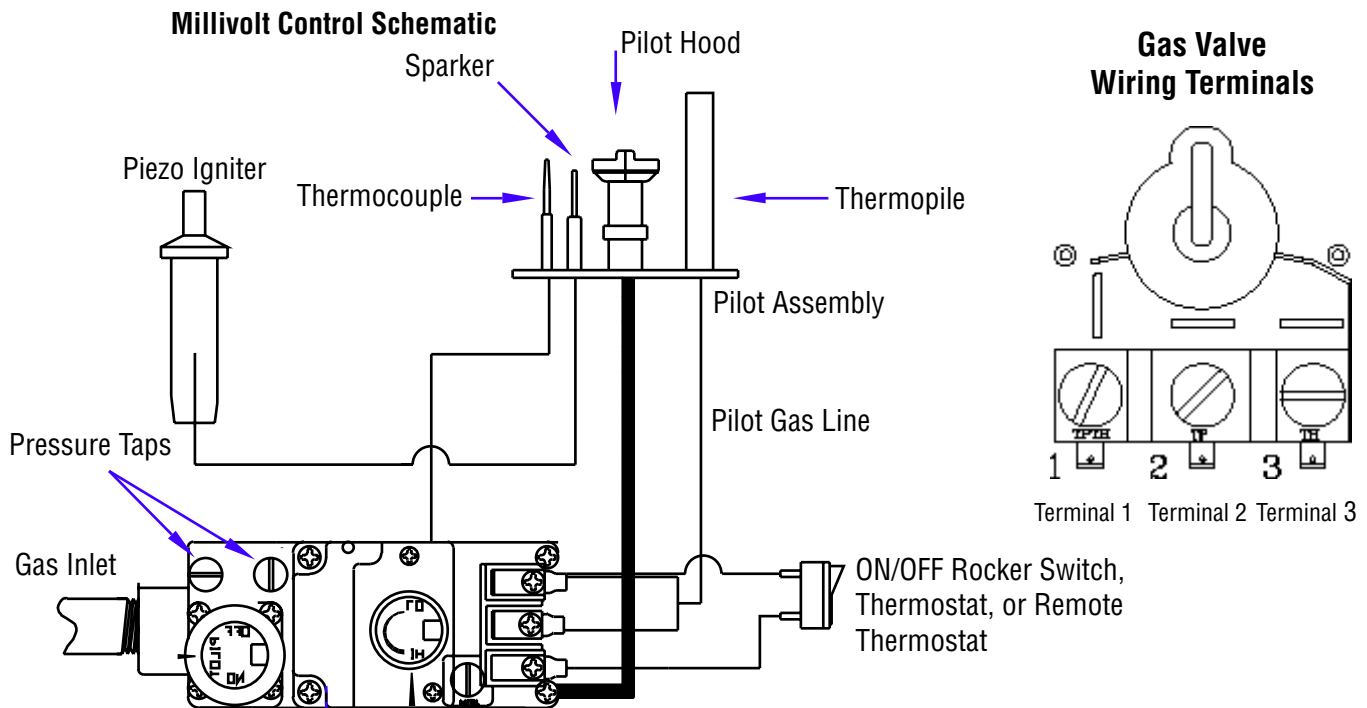
Your stove comes equipped with an "On/Off" rocker switch used to turn the burner on and off while the pilot light is on. The switch is a round rocker switch located behind the main control panel door.

A millivolt wall thermostat, or a remote control, can be used to supplement the rocker switch. The gas valve is powered by millivolts generated by the pilot assembly. This millivolt system is very sensitive to electrical resistance, therefore, make sure all connections are tight, clean and free from corrosion. Do not splice any millivolt wires. Consult the table below to determine the proper gage of wire for the thermostat or wall switch connections. This table refers to the total length of the wire (out to the switch and back). The thermostat must be a millivolt type. A 24-volt furnace thermostat will not work. Never hook up household current - 120 Volts - to the millivolt system. It is not recommended to hook up any more than two switches to the stove (for example a rocker switch and a wall thermostat). Additional switches may affect the system resistance and increase the chance of the burner not igniting.

Follow the instructions included with the thermostat or remote control for wiring. The thermostat, remote control and rocker switch will turn the burner on and off independently. Be sure to set the rocker switch to the "Off" position when using the thermostat or remote control and set the thermostat or remote control to the lowest temperature when you wish to use the rocker switch only, otherwise one may override the other.

Millivolt Control System

This stove operates on a millivolt control system. As such, no additional power supply is needed for the stove to heat. The pilot assembly contains a thermocouple that, when heated by the pilot flame, generates electricity (millivolts- $mV=1/1000$ of a volt) which opens a valve allowing gas to continue flowing to the pilot assembly. The pilot assembly also contains a thermopile that, when heated by the pilot flame, generates electricity that flows to terminal #1 (labeled TPTH) on the gas valve. When the electricity is conducted from terminal #1 through the on/off switch, thermostat, or receiver of the remote control to terminal #3 (labeled TH) on the gas valve, the main burner will ignite.



CAUTION: Label all wires prior to disconnection when servicing controls. Wiring errors can cause improper and dangerous operation. Verify proper operation after servicing.

Figure 33

Thermostat Wire	
Wire Size	Maximum Length
12 Gage	100 Feet
14 Gage	64 Feet
16 Gage	40 Feet
18 Gage	25 Feet
20 Gage	16 Feet

NOTE: DIAGRAMS & ILLUSTRATIONS ARE NOT TO SCALE.

Maintenance and Servicing

Maintenance Checklist:

The following should only be performed by a qualified service technician.

CAUTION: Label all wires prior to disconnection when servicing controls. Wiring errors can cause improper and dangerous operation. Verify proper operation after servicing.

1. Annual inspection should be made and the following checks performed:

- When unit is cool, open glass viewing door and inspect burner for dirt, soot and lint accumulations and remove if necessary. If excessive soot accumulation is present on burner, have a qualified service technician adjust burner for proper combustion.
- Clean inside of glass viewing door with gas fireplace glass cleaner. NEVER attempt to open door or clean glass when unit is hot.
- Check the hot air outlet vents for lint or other accumulations. Never block or restrict vent openings or obstruct flow of ventilation air.
- Check that direct vent pipe, air intake and flue are open and free of soot, blockage, or debris.
- Check gaskets once a year. Gaskets must be tight. Replace if necessary.
- Inspect the pilot system for proper flame. NEVER ADJUST THE PILOT until after the gas pressure has been checked and supply lines have been completely bled (this may take an hour or more when bleeding through the pilot). All pilots are checked and burned at the factory prior to shipment. The pilot adjustment screw is located to the lower left of the flame height control knob. Adjust the pilot screw to properly size the flames. The flames should completely surround the thermopile and thermocouple and extend across the main burner tube ports. Be careful not to back the screw out of its threads.
- Check that the area around the stove is kept clear and is free of combustible materials, gasoline and other flammable vapors and liquids.
- Check the millivolt system as per the table on this page.

2. The viewing glass should be cleaned periodically (see Glass Door Cleaning and Maintenance).
3. Should repairs or maintenance of the stove require the disassembly of the vent/air intake system, the reassembly and resealing should be completed by a qualified service technician and follow the instructions on Page 13 of this manual.

Millivolt and System Checks				
Check Test	To Test	Connect Meter Leads to Terminals	Thermostat Connects	Meter Reading Should Be
A	Complete System	2 & 3	Closed	100 MV or More
B	Thermopile Output	1 & 2	Open	Greater Than 325 MV
C	System Resistance	2 & 3	Closed	2.5 Ohms

See Figure 33 - Wiring Terminals

PROPER PILOT FLAME APPEARANCE

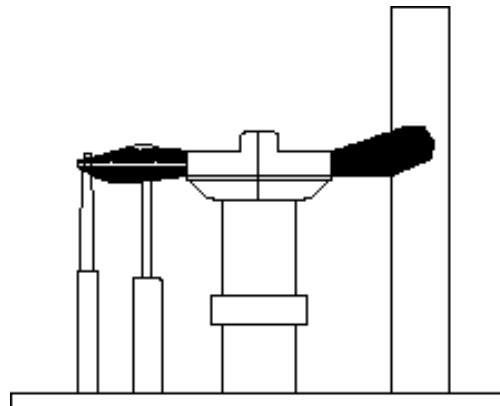


Figure 34

Vent Pipe Maintenance

Conduct an inspection of the venting system semiannually. Recommended areas to inspect are as follows:

1. Check areas of the venting system which are exposed to the elements for corrosion. These will appear as rust spots, streaks, or, in extreme cases, holes. These components should immediately be replaced.
2. Remove the cap and shine a flashlight down the vent. Remove any bird nests or other foreign material.
3. Check for evidence of excessive condensate, such as water droplets forming in the inner liner and subsequently dripping out at joints. Continuous condensate can cause corrosion of caps, pipe and fittings. It may be caused by having excessive lateral runs, too many elbows, or exterior portions of the system being exposed to cold weather.
4. Inspect joints to verify that no pipe sections or fittings have been disturbed and consequently loosened. Also check mechanical supports such as wall straps or plumbers' tape for rigidity.

Glass Door Cleaning and Maintenance

Cleaning: When cool, the glass may be cleaned with a clean, soft cloth and glass cleaner. For cleaning white condensation from the interior glass use KEL KEM gas stove glass cleaner available from your stove dealer. Use of caustic or abrasive cleaners may damage glass. Gold or nickel plated trim must be cleaned with glass cleaner or denatured alcohol and a soft cloth before firing or fingerprints and stains will remain permanently. Never use abrasive polish to clean the gold or nickel as it will ruin the finish. DO NOT operate stove with broken glass. DO NOT clean door or glass when hot. DO NOT abuse glass door by striking or slamming shut. DO NOT use substitute materials if replacing glass. DO NOT spray commercial glass cleaner with ammonia on the door and glass gasket as it may dissolve the gasket glue.

WARNING: Do not operate appliance with the glass panel removed, cracked, or broken. Do not remove glass door while the stove is hot. Replacement of the glass door should be done by a qualified service technician.

Glass Replacement: If the glass in your door is damaged or broken, the complete door assembly (including gaskets) must be replaced using part number H3102. The replacement door assembly is available from your Lennox Hearth Products dealer. The glass is neo-ceramic and alternative types must not be used. See **Page 25** for door assembly replacement instructions.

WARNING: Do not operate appliance with the glass panel removed, cracked, or broken. Do not remove glass door while the stove is hot. Replacement of the glass door should be done by a qualified service technician.

Opening and Removing Door

If the glass in your door is damaged or broken - the complete door assembly must be replaced using part #45715.

CAUTION: Do not attempt to open the main door while the unit is burning or still hot. Let the unit cool before opening the door.

To replace the door:

1. Shut off the main burner using the rocker switch.
2. Shut off the pilot flame by turning the pilot knob clockwise to "OFF."

3. Facing the stove pull open the left side door and open the right side door by removing the socket head cap screw located underneath the door near the front of the stove.
4. With both doors open, remove the four socket head cap screws, two on each side, securing the top. Lift and remove the top of the stove.
5. Unlatch main door and lift straight up off of the locating hinge pins.
6. Reinstall door assembly following steps in reverse order.

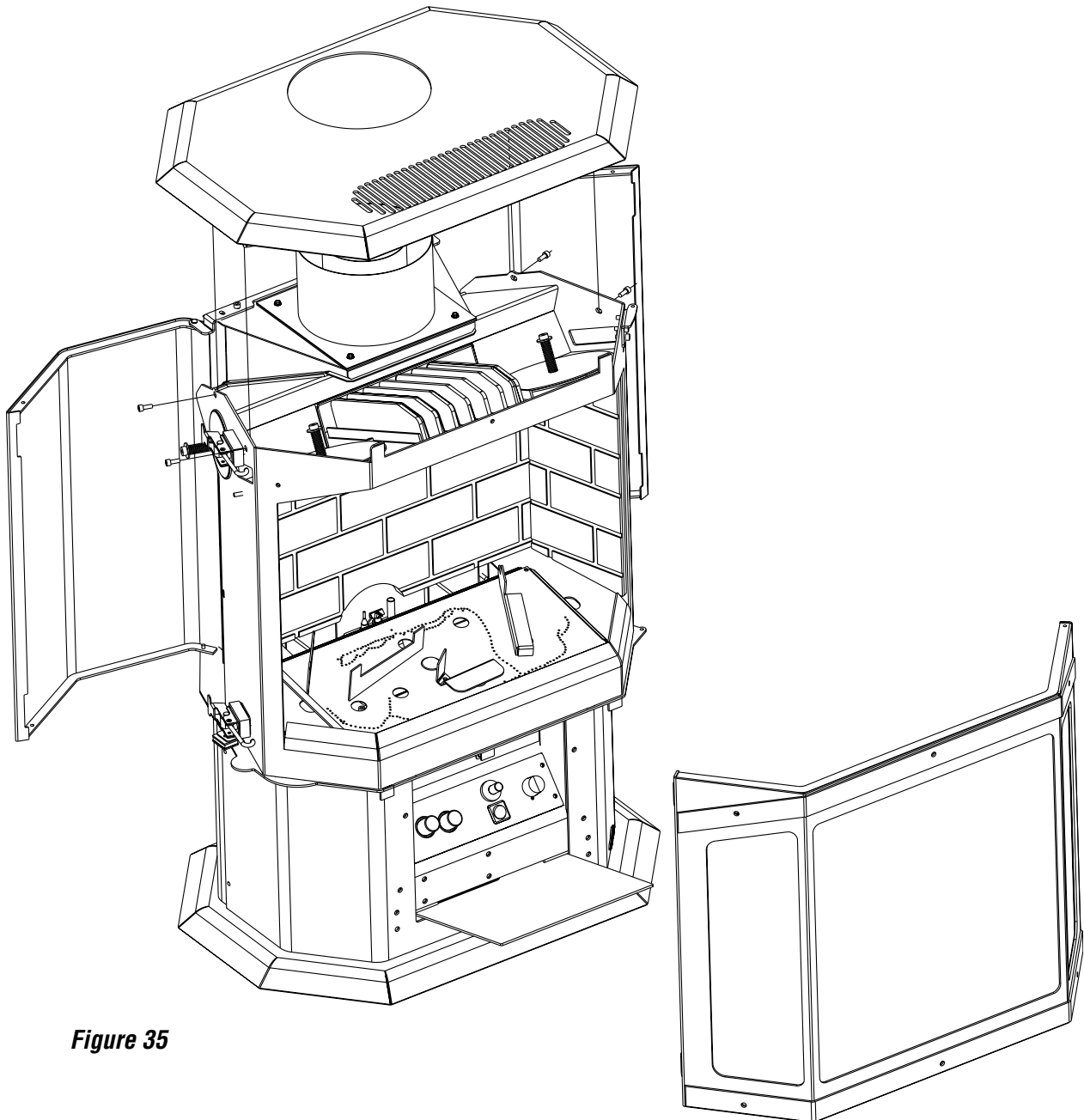


Figure 35

NOTE: DIAGRAMS & ILLUSTRATIONS ARE NOT TO SCALE.

Fuel Conversion

Converting the stove between natural gas (NG) and propane (LP) can be accomplished by either changing the cassette (valve and pilot assembly) or installing a conversion kit (regulator, burner orifice and repositioning the slide orifice of the pilot). Only a qualified service technician should perform the conversion.

Conversion Kit

Please see instructions provided with conversion kit.

Cassette Removal

CAUTION: Label all wires prior to disconnection when servicing controls. Wiring errors can cause improper and dangerous operation. Verify proper operation after servicing.

1. Be sure the gas supply is shut off. The electrical supply for the blower should be unplugged from both the wall and the Epic™ gas stove before beginning the conversion.
2. Disconnect back of pedestal by removing the four button head cap screws securing it, slide back far enough to label and disconnect wires from the AC inlet plug. Remove the white remote thermostat plug. Completely remove back of pedestal from the Epic gas stove.
3. Disconnect the gas supply from the stove, being careful not to apply pressure to the valve in the process.
4. Remove socket head cap screw securing the bottom of the right side door, open, label and remove the wires leading to the snap switch.
5. Remove the control panel containing the On/Off switch by removing the four socket head cap screws securing it. Pull the control panel out far enough to remove the orange piezo igniter wire. Detach the two black wires from the back of the On/Off switch, disconnect the fan control wires and completely remove the control panel. Remove the knob extensions from the valve controls.
6. Remove the log set and brick panels (see Brick Panel, Log Set and Ember Installation).
7. Remove the two screws from the back of the burner. Lift the left end of the burner and slide it off the orifice and shutter tube. Remove the burner from the firebox.
8. From inside the firebox, remove the right side burner support. Then remove the seven socket head cap screws holding the cassette in place.
9. From inside the pedestal remove the four 3/8" nuts holding the back of the control panel.

10. Mark and unplug the remaining fan wire. Remove the three screws securing the fan and set aside.
11. Remove the cassette assembly by carefully pulling the top cassette plate downward, guiding the pilot assembly out of the firebox, down into the pedestal area. Once the pilot assembly is clear of the firebox, remove the cassette from the pedestal.
12. Install the new, converted, or serviced cassette in the reverse order of removal. All surfaces of the cassette must be sealed to the firebox to ensure an air tight seal. The old gasket must be replaced with a new gasket.
13. All parts and wires must be correctly reinstalled to ensure safe and proper operation of the unit.

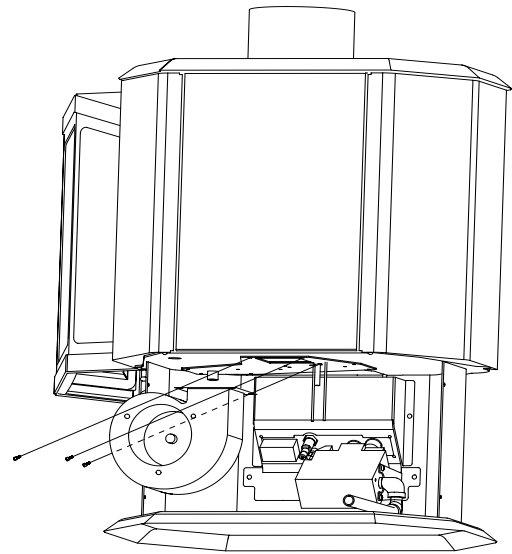


Figure 36 Blower Removal

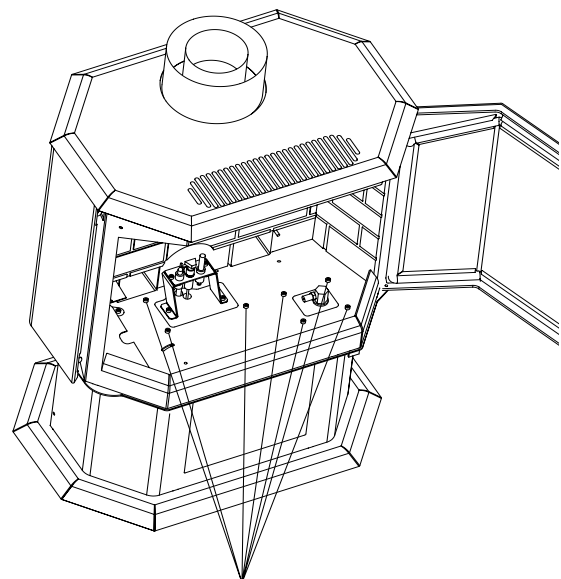


Figure 37 Cassette Screws

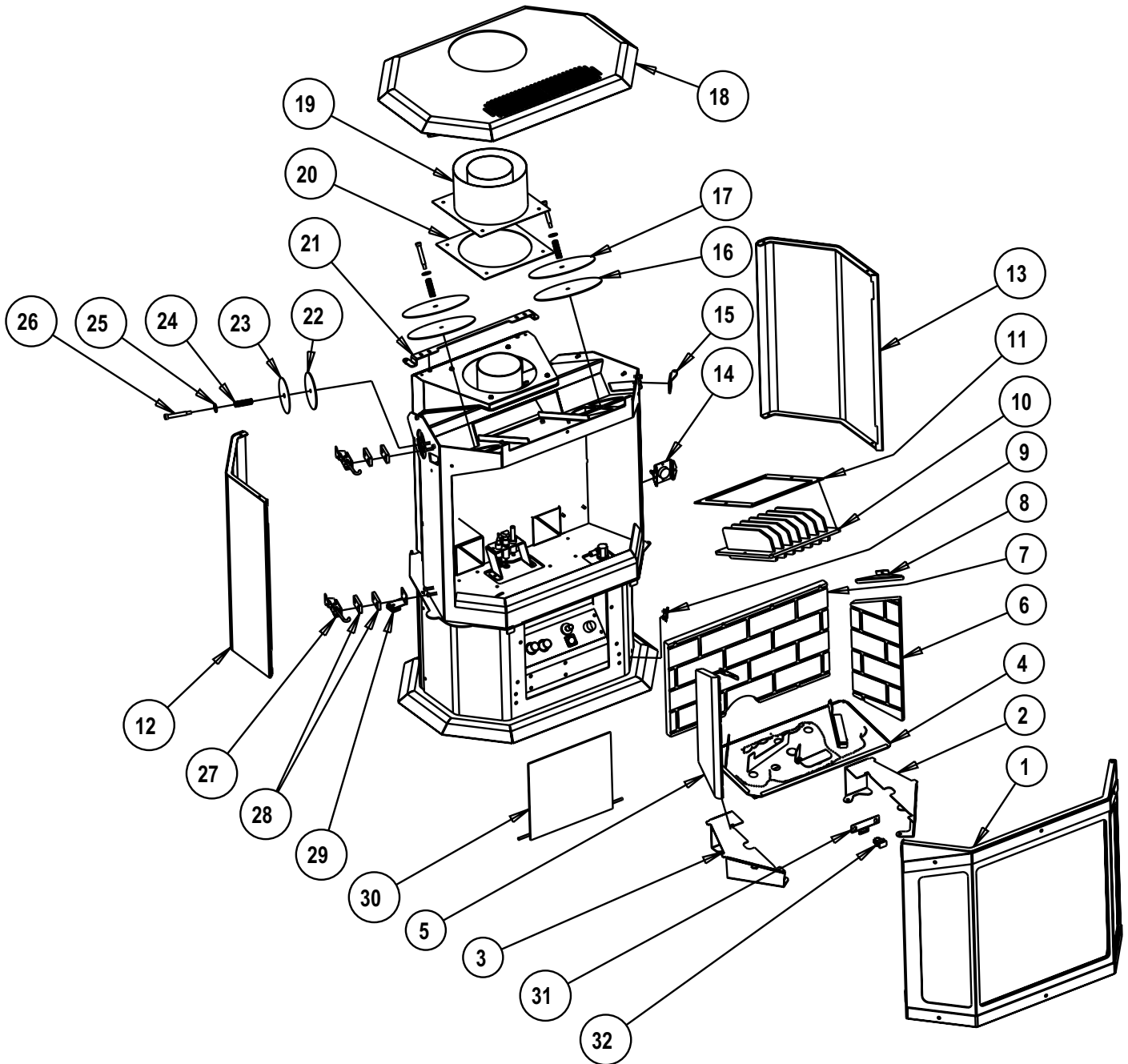
Troubleshooting

NOTE: When troubleshooting the gas control system, be sure the external gas shut off valve, located at the gas supply inlet is in the "ON" position.

IMPORTANT: Call your gas supplier or plumber for additional help with any gas control problem. Valve system troubleshooting should only be accomplished by a qualified service technician.

SYMPTOM	PROBABLE CAUSE	CORRECTIVE ACTION
Thin black coating (soot) forms on the viewing glass, logs, or firebox.	Improper log or ember placement. Blocked flue. Improper air shutter setting.	See Brick Panel, Log Set and Ember Installation . Check for obstructions in vent pipe, check for proper restrictor setting. See Flue Restrictors . See Air Shutter Adjustment .
Humming or whistling coming from fireplace.	Normal operating noise. Dirt in burner orifice.	See Quiet Operation . The noise may be reduced by slightly turning the flame down. Turning the flame down will reduce the heat output of the fireplace. Clean orifice.
A change in flame appearance or burner operation.	A change in gas pressure. Improper ember or log placement.	Have your gas supplier check for correct gas pressure (7" W.C. natural gas; 11" W.C. LP gas). See Brick Panel, Log Set and Ember Installation .
Pilot will not light.	No gas supplied to unit. Air in line. Defective igniter (no spark at electrode). The valve control knob is not turned to "pilot" and pushed in.	Turn on gas. To purge, hold in control knob in pilot position for 1-2 minutes and light. Check for spark at electrode and pilot, if no spark and electrode wire is properly connected, replace igniter. See Lighting Instructions .
Pilot will not stay lit after carefully following lighting instructions.	Pilot flame is not surrounding thermocouple. Thermocouple not generating sufficient voltage. Air in gas supply line.	Check pilot flame adjustment (see Maintenance and Servicing section). Check the connection between the thermocouple lead and the valve. Turn control knob to "pilot" and push in and light pilot. While lit, take millivolt reading at lead going into valve's CPU. Minimum reading should be 17 millivolts. If less, replace thermocouple. Purge air in pilot gas line by holding in control knob at "pilot" and sparking igniter. The air in the line may take up to several minutes to purge.
Main burner will not burn.	Pilot has gone out. Rocker switch or thermostat wires are defective. Thermopile may not be generating sufficient millivolts.	See Lighting Instructions . Disconnect rocker switch and thermostat wires at terminals 1 and 3 on valve. Jumper across from 1 to 3 with pilot lit. If burner comes on either rocker switch or thermostat wiring is not functioning. Make sure thermopile is fully engulfed by the pilot flame. Check thermopile with millivolt meter. With pilot lit and the rocker switch and thermostat off, the millivolt reading with the meter connected to valve terminals 1 and 2 should be after 2 minutes at least 325. If the thermopile lead connections are good at terminals 1 and 2 and readings are less than 325, replace faulty thermopile.

Parts List



NO. DESCRIPTION

- 1 FRONT DOOR
- 2 RIGHT BURNER SUPPORT
- 3 LEFT BURNER SUPPORT
- 4 BURNER PAN / LOG SET
- 5 BRICK PANEL SET
- 6 BRICK PANEL SET
- 7 BRICK PANEL SET
- 8 BRICK PANEL BRACKET
- 9 NAME PLATE
- 10 SHEETMETAL HEATSINK
- 11 HEATSINK GASKET

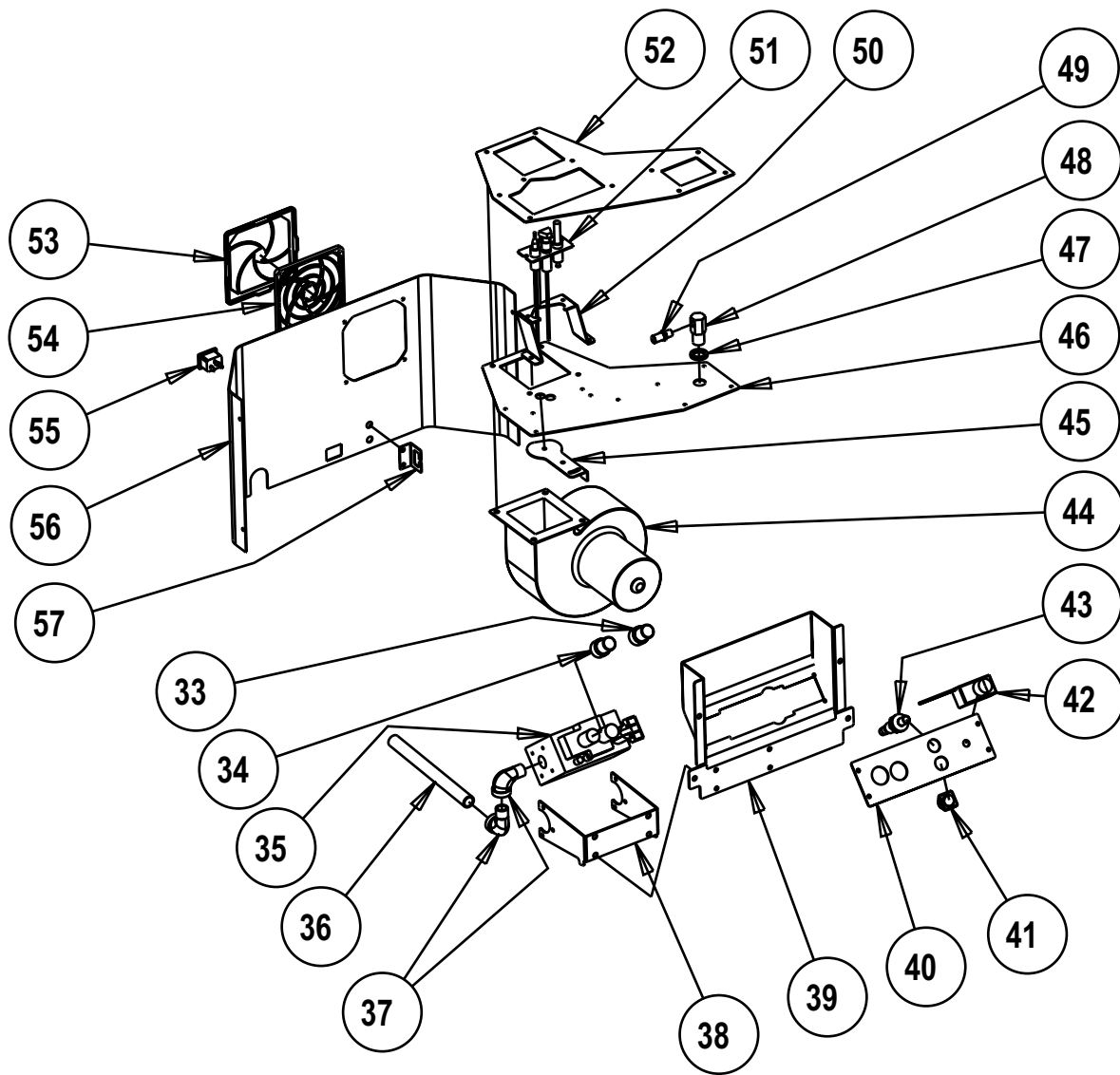
NO. DESCRIPTION

- 12 SIDE DOOR
- 13 SIDE DOOR
- 14 SNAP SWITCH
- 15 TOP HINGE BRACKET
- 16 RELIEF DOOR ASSY. LARGE
- 17 RELIEF DOOR, LARGE
- 18 TOP COVER
- 19 6-5/8" FLUE ADAPTER
- 20 FLUE ADAPTER GASKET
- 21 REAR TOP HINGE
- 22 SMALL RELIEF DR GASKET

NO. DESCRIPTION

- 23 SMALL RELIEF DOOR
- 24 SPRING, RELIEF DOOR
- 25 WASHER, RELIEF DOOR
- 26 BOLT, RELIEF DOOR
- 27 DOOR LATCH KIT
- 28 SPACER
- 29 MAGNET AND BRACKET ASSY
- 30 CONTROL DOOR
- 31 CONTROL DR LATCH BRACKET
- 32 CONTROL DOOR LATCH

NOTE: DIAGRAMS & ILLUSTRATIONS ARE NOT TO SCALE.



NO. DESCRIPTION

- 33 FLAME CONTROL EXTENSION
- 34 PILOT CONTROL EXTENSION
- 35 VALVE ASSY.
- 36 BLACK IRON PIPE
- 37 STREET ELBOW
- 38 BRACKET, VALVE
- 39 CONTROL PANEL
- 40 DASHBOARD
- 41 ON/OFF SWITCH
- 42 RHEOSTAT
- 43 PIEZO Igniter

NO. DESCRIPTION

- 44 BLOWER
- 45 SLIDER WASHER
- 46 CASSETTE PLATE
- 47 BULKHEAD SPACER
- 48 FITTING BULKHEAD
- 49 ORIFICE
- 50 PILOT ASSEMBLY BRACKET
- 51 PILOT ASSEMBLY
- 52 CASSETTE GASKET
- 53 FAN GRILL COVER
- 54 FAN GRILL MOUNT

NO. DESCRIPTION

- 55 AC POWER PLUG
- 56 PEDESTAL BACK
- 57 THERMO. OUTLET BRACKET

NOTE: DIAGRAMS & ILLUSTRATIONS ARE NOT TO SCALE.

Wire Harness Diagram

CAUTION: Label all wires prior to disconnection when servicing controls. Wiring errors can cause improper and dangerous operation. Verify proper operation after servicing.

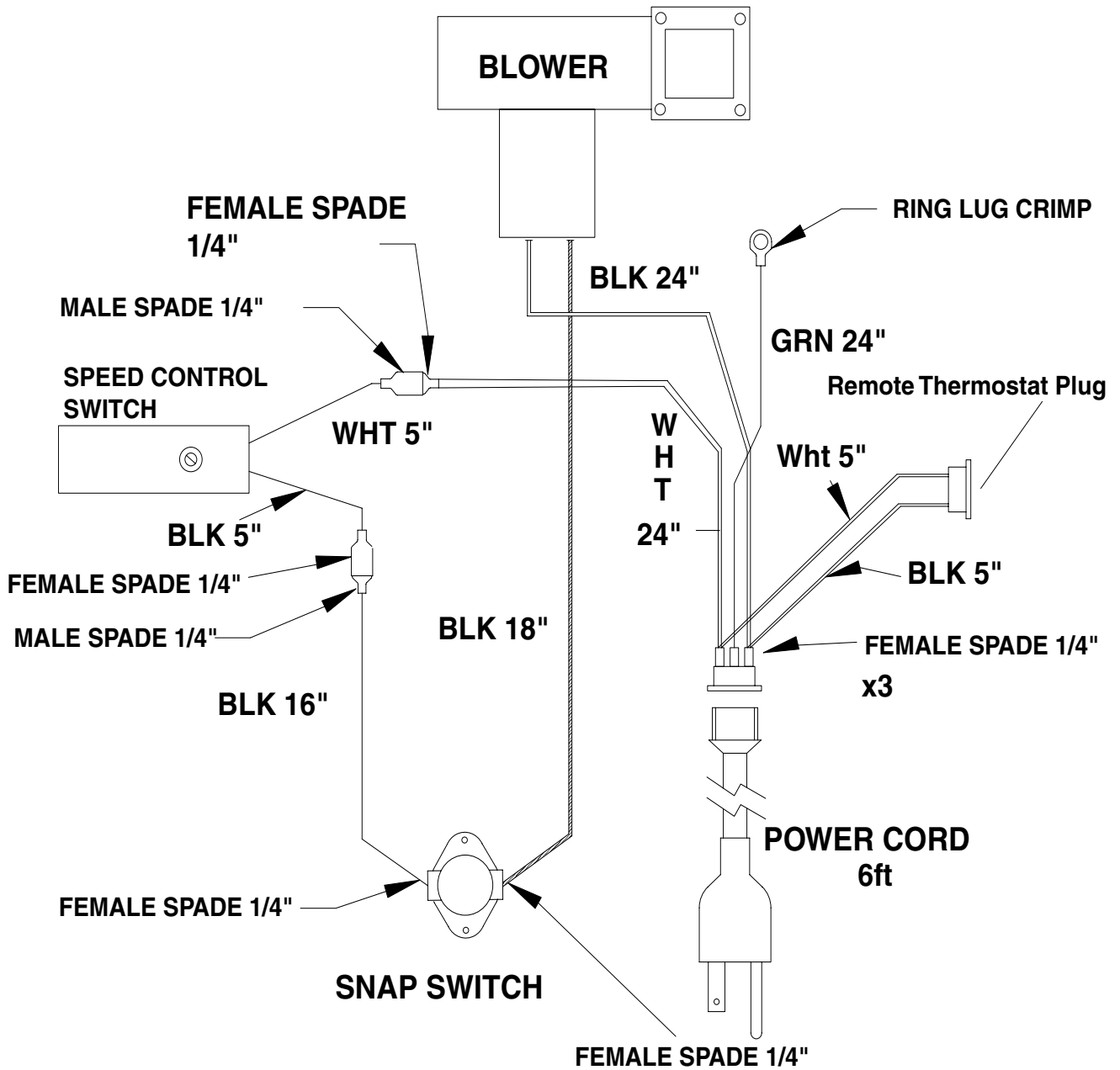


Figure 38

NOTE: DIAGRAMS & ILLUSTRATIONS ARE NOT TO SCALE.

Replacement Parts List

Epic™ 33/40 (EPIC33/40)

Diagram No.	Part No.	Description
1	H3102	Front Door
2	H5835	Burner Support, Right
3	H5834	Burner Support, Left
4	H3137	Burner Pan
5,6,7	H5872	Brick Panel Set
8	H5836	Brick Panel Bracket
10,11	H3124	Heat Exchanger Kit
12,13	H6014	Side Door
14	H5875	Snap Switch
16,17,24,25,26	H6015	Large Relief Door Assembly
18	H6017	Top Cover
19	H5919	Flue Adapter 6-5/8"
20	H5909	Flue Adapter Gasket
22,23,24,25,26	H3127	Relief Door Assembly, Small
27	H3125	Door Latch Assembly
29	H3126	Magnet and Bracket Assembly
30	H6016	Control Door Assembly
32	H3125	Control Door Latch
33	H5969	Flame Control Extension Knob
34	H5968	Pilot Control Extension Knob
35, 37, 38, 50, 51, 52	H3138	Cassette Assembly, NG
	H5942	Gas Control Valve NG
	H5943	Regulator, NG
	H5945	Regulator, LP
41	H5744	On/Off Switch, Round
42	H5742	Blower Speed Control (rheostat)
43	H5745	Piezo Igniter
	H4635	Wall Thermostat, Digital, DWTK
	70005	AC Remote Control Thermostat
	H0251	DC Remote Control, Deluxe, Thermostat
44	H5888	Blower
48	H5896	Fitting Bulkhead
49	H5924	Orifice, NG #36, 33,000 BTU
49	H5973	Orifice, NG #31, 40,000 BTU
	75355	Conversion Kit LP to NG
	75352	Conversion Kit NG to LP
51	H5922	Pilot Assembly, NG or LP
52	H5907	Cassette Gasket
53,54	H3078	Blower Grill Assembly
55	H3079	A/C Power Cord
	H5873	Log Set
	H5863	Bag of Embers (volcanic stone)
	H5864	Bag of Rockwool
	70K99	Touch-Up Paint, Metallic Black (aerosol)

Accessories

Trim Kits Kits Include: Matching Trim for Glass (Upper and Lower)	
Cat. No.	Description
75348	Black Trim, EPIC-TRIM-B
75349	Gold Trim, EPIC-TRIM-G
75350	Brushed Nickel Trim, EPIC-TRIM-BN
75351	Black Nickel Trim, EPIC-TRIM-BKN

Gas Conversion Kits	
Cat. No.	Description
75355	Conversion Kit LP to NG
75352	Conversion Kit NG to LP

Misc	
70005	Remote Thermostat AC, RT-AC
H0251	Remote Control, Deluxe Thermostat DC, RCL-STAT
H4635	Wall Thermostat, Digital, DWTK

Lighting Label

FOR YOUR SAFETY READ BEFORE OPERATING

WARNING: IF YOU DO NOT FOLLOW THESE INSTRUCTIONS EXACTLY, A FIRE OR EXPLOSION MAY RESULT CAUSING PROPERTY DAMAGE, INJURY OR LOSS OF LIFE.

CAUTION: HOT WHILE IN OPERATION. DO NOT TOUCH. KEEP CHILDREN, FURNITURE, GASOLINE AND OTHER LIQUIDS WITH FLAMMABLE VAPORS AWAY. NEVER OPERATE UNIT WITH GLASS DOOR OFF OR ATTEMPT TO OPEN THE DOOR WHILE HOT.

- A. This appliance is equipped with a piezo ignition device to light the pilot. When lighting the pilot, follow these instructions exactly.
- B. BEFORE LIGHTING, smell around the appliance area for gas. Be sure to smell next to the floor because some gas is heavier than air and will settle on the floor.

WHAT TO DO IF YOU SMELL GAS:

- DO NOT try to light the appliance.
 - DO NOT touch any electric switch; do not use any phone in the building.
 - Immediately call your gas supplier from a neighbor's phone. Follow the gas supplier's instructions.
 - If you cannot reach your gas supplier, call the fire department.
- C. Use only your hand to push in or turn the gas control knob. Never use any tool. If the knob will not push in or turn by hand, don't try to repair it, call a qualified service technician. Force or attempted repair may result in a fire or explosion.
- D. DO NOT use this appliance if any part has been under water. Immediately call a qualified service technician to inspect the appliance and to replace any part of the control system and any gas control which has been under water.

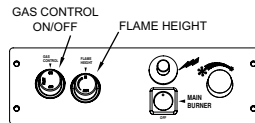
OPERATING INSTRUCTIONS

CAUTION: YOUR LENNOX GAS APPLIANCE MUST ALWAYS BE OPERATED WITH GLASS DOOR IN PLACE. STOP! Read the safety information above before proceeding.

1. Open the lower door. Make sure gas supply shut-off cocks are open and ON/OFF Rocker Switch is "OFF". If equipped with a thermostat, set it to the lowest setting.
2. Turn off all electrical power to the appliance.
3. Push in Gas Control Knob slightly and turn clockwise to "OFF".

NOTE: Knob cannot be turned from "PILOT" to "OFF" unless Knob is pushed in slightly. Do not force.

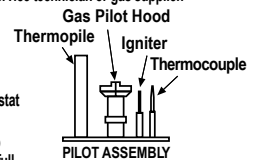
4. Wait five (5) minutes to clear out any gas. If you smell gas, STOP! Follow "B" above. If you don't smell gas continue.
5. Locate the pilot by looking at the center bottom of the back log. Blue flame will be seen when the pilot is lit.
6. Turn the gas control knob counterclockwise to the "PILOT" position.
7. Push the knob all the way in and hold in that position. Immediately light the pilot by pressing the igniter button



several times until pilot is lit. Continue to hold the knob in for about 30 seconds after the pilot is lit. Release knob and it will pop back out.

Pilot should remain lit. If it goes out, repeat steps 4-8 holding knob in an additional 15 seconds after pilot is lit.

- If knob does not pop out when released, stop and immediately call your service technician or gas supplier.
 - If the pilot will not stay lit after several tries, turn the gas control knob to "OFF" and call your service technician or your gas supplier.
8. After pilot is lit, turn gas control counterclockwise to "ON". Knob can only be turned "ON" if the knob has popped out.
 9. To turn burner on, turn "ON/OFF" rocker switch to "ON" or set the thermostat to the desired temperature above room temperature.
 10. Adjust the flame height (and heat output) by turning the flame height knob clockwise for reduced flame and counterclockwise for full flame.
 11. Turn on all electrical power to the appliance.
 12. Set the blower to the desired air flow after it turns on when the appliance reaches operating temperature.



TO TURN OFF GAS TO APPLIANCE

1. Turn off the "ON/OFF" rocker switch and/or thermostat (if installed).
2. Turn off electric power to the appliance if service is to be performed.
3. Turn gas control knob clockwise to "OFF". Do not force.

This appliance needs fresh air for safe operation and must be installed so there are provisions for adequate combustion and ventilation air. See Installation and Operation Manual accompanying appliance.


WARNING: Improper installation, adjustment, alteration, service or maintenance can cause injury or property damage. For assistance or additional information, consult a qualified installer, service agency or your gas supplier.

Operation of this appliance when not connected to a properly installed and maintained venting system can result in carbon monoxide (CO) poisoning and possible death.

SHUTDOWN PROCEDURE

1. To turn off the burner, switch the rocker switch to "OFF" or adjust the thermostat to a setting below room temperature (if installed). The pilot will remain lit for future burner ignition. For complete shutdown: See "TO TURN OFF GAS TO APPLIANCE" above.

Safety / Listing Label

Tested & Listed By  Beaverton Oregon USA
 MODEL / MODÈLE **EPIC™ NG 40** SERIAL NO. / NUMÉRO DE SÉRIE

Report No. / Numéro de Rapport
 050-S-21b-5

MANUFACTURED BY:
LENNOX HEARTH PRODUCTS
 PO BOX 987
 AUBURN, WA., USA 98071



FACTORY EQUIPPED FOR NATURAL GAS. IF CONTROL PANEL CONTRADICTS THIS LABEL, UNIT FUEL TYPE HAS BEEN CONVERTED.
 CET APPAREIL EST MUNI D'ÉQUIPEMENT POUR L'USAGE DU GAZ NATUREL.
 SI L'ÉTIQUETTE DU PANNEAU DES COMMANDES CONTREDIT CETTE ÉTIQUETTE, C'EST QUE LE TYPE DE CARBURANT DE CET APPAREIL A ÉTÉ CONVERTI.

VENTED GAS FIREPLACE HEATER - NOT FOR USE WITH SOLID FUEL

MAY BE INSTALLED IN RESIDENTIAL BEDROOMS AND MANUFACTURED (MOBILE) HOMES.
 TESTED TO ANSI Z21.88-2005/CSA 2.33-2005 "VENTED GAS FIREPLACE HEATERS", UL307B, CSA P.4-1-02, AND CGA 2.17-M91.

THIS APPLIANCE MUST BE INSTALLED IN ACCORDANCE WITH LOCAL CODES, IF ANY. IF NOT, FOLLOW THE CURRENT ANSI Z223.1/NFPA 54-LATEST EDITION (USA) OR CAN/CSA B149.1-LATEST EDITION (CANADA) AND SAFETY STANDARD, TITLE 24 CFR, PART 3280 FOR MOBILE HOMES. ALSO, APPLIANCE MUST BE INSTALLED IN ACCORDANCE WITH THE MANUFACTURER'S INSTALLATION INSTRUCTIONS.

THIS APPLIANCE IS ONLY FOR USE WITH THE TYPE OF GAS INDICATED ON THE RATING PLATE AND MAY BE INSTALLED IN AN AFTERMARKET, PERMANENTLY LOCATED, MANUFACTURED (MOBILE) HOME WHERE NOT PROHIBITED BY LOCAL CODES. SEE OWNER'S MANUAL FOR DETAILS. THIS APPLIANCE IS NOT CONVERTIBLE FOR USE WITH OTHER GASES, UNLESS A CERTIFIED KIT IS USED.

DANGER: RISK OF ELECTRICAL SHOCK. DISCONNECT POWER BEFORE SERVICING UNIT.

IF ELECTRICALLY CONNECTED, CONNECTIONS AND GROUNDING MUST BE IN ACCORDANCE WITH LOCAL CODES, IF ANY. IF NOT, FOLLOW THE CURRENT NATIONAL ELECTRICAL CODE ANSI/NFPA 70-LATEST EDITION (USA) OR CSA C22-1-LATEST EDITION (CANADA).

RATINGS	EPIC 33		EPIC 40	
	NATURAL GAS	LP GAS	NATURAL GAS	LP GAS
MAXIMUM INPUT BTUH 0-2,000 FT (0-610 M)*	33,000 / 23,000	31,000 / 24,000	40,000 / 27,000	39,000 / 30,000
ORIFICE (DMS) 0-2,000 FT (0-610 M)*	#36/.106 IN.	#52/.064 IN.	#31/.120 IN.	#49/.073 IN.
MANIFOLD PRESSURE (IN. WC)	3.5 / 1.7	10.0 / 5.4	3.5 / 1.7	10.0 / 5.4
MIN. INLET PRESSURE (IN. WC)	5.0	11.0	5.0	11.0

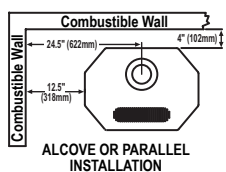
*UNIT FACTORY EQUIPPED FOR 0-2000 FT/0-610 M, IN CANADA 0-4500 FT/0-1370 M
 ELECTRICAL RATING: 120 VAC, 60 HZ, LESS THAN 2 AMPS

VENTING: THIS APPLIANCE MUST BE PROPERLY CONNECTED TO A VENTING SYSTEM IN ACCORDANCE WITH THE MANUFACTURER'S INSTRUCTIONS. SEE MANUFACTURER'S INSTALLATION INSTRUCTIONS FOR APPROVED PIPE BRANDS AND PIPE SEALING PROCEDURES.

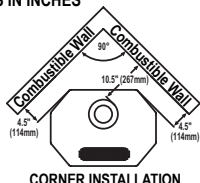
FOR ALTITUDES ABOVE 2,000 FT/610M (IN CANADA 4500 FT/1370M) DE-RATE THE APPLIANCE BY FOUR (4)% FOR EVERY 1,000 FT (405 M).

THIS VENTED GAS FIREPLACE HEATER IS NOT FOR USE WITH AIR FILTERS.

MINIMUM CLEARANCES - TO COMBUSTIBLES IN INCHES



ALCOVE DIMENSIONS
 MAXIMUM DEPTH 48" (1219mm)
 MINIMUM WIDTH 48" (1219mm)
 MINIMUM HEIGHT 69" (1753mm)
 SEE OWNER'S MANUAL FOR OTHER ALCOVE CLEARANCE CONFIGURATIONS
 HEARTH PROTECTION
 SEE INSTRUCTION MANUAL



HOMOLOGUÉ FOYER RADIANT PRÉFABRIQUÉ AU GAZ -NE PAS UTILISER AVEC DU COMBUSTIBLE SOLIDE

MAY BE INSTALLED IN RESIDENTIAL BEDROOMS AND MANUFACTURED (MOBILE) HOMES.
 TESTÉ SELON LA NORME ANSI Z21.88-2005/CSA 2.33-2005 «FOYER RADIANT AU GAZ», UL307B, CSA P.4-1-02, ET CGA 2.17-M91.
 CET APPAREIL DOIT ÊTRE INSTALLÉ CONFORMÉMENT AUX EXIGENCES DES CODES RÉGIONAUX ET DU CODE D'INSTALLATION ANSI/NFPA 54-DERNIÈRE ÉDITION (ÉTATS-UNIS), OU CAN/CSA-B149.1-DERNIÈRE ÉDITION (CANADA) POUR LES MAISONS MOBILES LE STANDARD DE SÉCURITÉ EST TITLÉ 24CFR, PART 3280. CET APPAREIL DOIT ÊTRE INSTALLÉ SELON LES SPÉCIFICATIONS DU MANUFACTURIER.

CET APPAREIL DOIT ÊTRE UTILISÉ AVEC LE TYPE DE GAZ INDICÉ SUR LA PLAQUE SIGNALÉTIQUE ET PEUT ÊTRE INSTALLÉ DANS UNE MAISON PRÉUSINÉE OU DANS UNE MAISON MOBILE FIXE, LÀ OÙ LES CODES RÉGIONAUX LE PERMETTENT. VOIR LE MANUEL D'ENTRETIEN POUR PLUS DE DÉTAILS. CET APPAREIL NE PEUT PAS ÊTRE CONVERTI POUR L'USAGE AVEC D'AUTRES TYPES DE GAZ À MOINS D'UTILISER UNE TROUSSE DE CONVERSION HOMOLOGUÉE.

DANGER: RISQUE DE CHOC ÉLECTRIQUE. DÉBRANCHEZ L'APPAREIL AVANT D'EN FAIRE L'ENTRETIEN.

SI L'APPAREIL REQUIERT UN BRANCHEMENT ÉLECTRIQUE, LES RACCORDEMENTS ET LA MISE À LA TERRE DOIVENT ÊTRE CONFORMES AUX EXIGENCES DES CODES RÉGIONAUX ET DU CODE D'INSTALLATION ANSI/NFPA 70 OU CSA C22-1.

SPÉCIFICATIONS	Modèle EPIC 33		Modèle EPIC 40	
	GAZ NATUREL	GAZ PROPANE	GAZ NATUREL	GAZ PROPANE
ENTRÉE MAX/MIN BTU/HR 0-4500 pi (0-1370 M)*	33000/ 23000	31000/ 24000	40000/ 27000	39000/ 30000
ORIFICE (DMS) 0-4500 pi (0-1370 M)*	#36/.106"	#52/.064"	#31/.120"	#49/.073"
PRESSION À LA SORTIE (IN. WC/C.E.)	3.5 / 1.7	10.0 / 5.4	3.5 / 1.7	10.0 / 5.4
PRESSION MINIMUM D'ENTRÉE DU GAZ (IN. WC/C.E.)	5.0	11.0	5.0	11.0

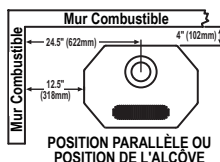
* L'APPAREIL PRÉUSINÉ EST MUNI D'ÉQUIPEMENT POUR 0-2000 PIEDS (0-610 M), AU CANADA 0-4500 PIEDS (0-1370M). SPÉCIFICATIONS ÉLECTRIQUE 120 VCA, 60 HZ, MOINS DE 2 AMPERES

CONDUIT: CET APPAREIL DOIT ÊTRE INSTALLÉ SEULEMENT AVEC UN CONDUIT D'ÉVACUATION RECOMMANDÉ PAR LE MANUFACTURIER. TOUJOURS SE RÉFÉRER AU MANUEL D'INSTALLATION.

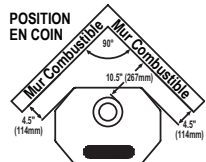
EN ALTITUDE, AU-DELÀ DE 2000 PII/610 M, (AU CANADA 0-4500 PII/0-1370M) LA CAPACITÉ ÉNERGÉTIQUE DE L'APPAREIL DIMINUE DE QUATRE (4)% POUR CHAQUE 1000 PI (405 M).

CE FOYER RADIANT AU GAZ À ÉVACUATION N'EST PAS CONÇU POUR ÊTRE UTILISÉ AVEC DES FILTRES À AIR.

DÉGAGEMENTS AUX COMBUSTIBLES - POUCES



DIMENSIONS - ALCOVE
 PROFONDEUR MAXIMUM: 48 PO. (1219mm)
 LARGEUR MAXIMUM: 48 PO. (1219mm)
 HAUTEUR MAXIMUM: 69 PO. (1753mm)
 RÉFÉREZ VOUS AU MANUEL D'INSTALLATION POUR TOUT AUTRE DÉGAGEMENT REQUIS.
 PROTECTIONS AU PLANCHER: RÉFÉREZ VOUS AU MANUEL D'INSTALLATION



DANGER: CET APPAREIL DÉGAGE DES TEMPÉRATURES ÉLEVÉES ET DEVRAIT ÊTRE INSTALLÉ À L'ÉCART DES ENDROITS TRÈS PASSANTS ET LOIN DES MEUBLES ET RIDEAUX. SURVEILLEZ LES ENFANTS QUI SE TROUVENT DANS LA PIÈCE. GARDEZ LA ZONE AUTOUR DU FOYER EXEMPTÉ DE MATÉRIAU COMBUSTIBLES, D'ESSENCE ET AUTRES VAPEURS ET LIQUIDES INFLAMMABLES. MAINTENEZ LE BRÛLEUR ET LE BOÎTIER DES COMMANDES PROPRE EN TOUT TEMPS. VOIR LES MANUELS D'INSTALLATION ET D'ENTRETIEN QUI ACCOMPAGNENT L'APPAREIL. SEUL LE PANNEAU VITRÉ FOURNI PAR LE MANUFACTURIER PEUT ÊTRE UTILISÉ AVEC CET APPAREIL. EN AUCUN CAS, L'APPAREIL NE PEUT ÊTRE UTILISÉ SANS LA VITRE OU AVEC LA VITRE BRISÉE. LE REMPLACEMENT DE LA VITRE DOIT ÊTRE EFFECTUÉ PAR UN TECHNICIEN DE SERVICE QUALIFIÉ.

AVERTISSEMENT: UNE INSTALLATION INADÉQUATE DE MÊME QU'UN AJUSTEMENT, UNE MODIFICATION, UNE RÉPARATION OU UN ENTRETIEN INCORRECTS PEUVENT CAUSER DES BLESSURES OU DOMMAGES À LA PROPRIÉTÉ. RÉFÉREZ-VOUS AU MANUEL D'ENTRETIEN LIVRÉ AVEC CET APPAREIL. POUR DE L'ASSISTANCE, CONSULTEZ UN INSTALLATEUR QUALIFIÉ, UNE ENTREPRISE DE SERVICE OU UN FOURNISSEUR DE GAZ.

DATE OF MANUFACTURE / DATE DE FABRICATION

2008	2009	2010	2011	JAN	FEB	MAR	APR	MAY	JUN	JUL	AUG	SEP	OCT	NOV	DEC
<input type="checkbox"/>	<input type="checkbox"/>	<input type="checkbox"/>	<input type="checkbox"/>	JAN	FEVR	MARS	AVR	MAI	JUIN	JUIL	AOÛT	SEPT	OCT	NOV	DEC

N'ENLEVEZ PAS OU NE COUVREZ PAS CETTE ÉTIQUETTE

Fabriqué aux U.S.A.

IGN 08-0711

Part No./ No. Pièce #36247 Rev. B, 03/08

DO NOT REMOVE OR COVER THIS LABEL

Made in U.S.A.

Notes

WARRANTY

Your gas stove is covered by a limited warranty (provided with appliance). Please read the warranty to be familiar with its coverage.

Retain this manual. File it with your other documents for future reference.

PRODUCT REFERENCE INFORMATION

We recommend that you record the following important information about your appliance. Please contact your Lennox Hearth Products dealer for any questions or concerns. For the number of your nearest Lennox Hearth Products dealer, please call 1-800-9-LENNOX.

REPLACEMENT PARTS

See **Page 31** for a complete replacement parts list. Use only parts supplied from the manufacturer.

Normally, all parts should be ordered through your Lennox Hearth Products distributor or dealer. Parts will be shipped at prevailing prices at time of order.

When ordering repair parts, always give the following information:

1. The model number of the appliance.
2. The serial number of the appliance.
3. The part number.
4. The description of the part.
5. The quantity required.
6. The installation date of the appliance.

If you encounter any problems or have any questions concerning the installation or application of this system, please contact your dealer.

LENNOX HEARTH PRODUCTS

1110 West Taft Avenue

Orange, CA 92865

Visit us at www.Lennox.com

Your Stove's Model Number _____

Your Stove's Serial Number _____

The Date On Which Your Stove Was Installed _____

The Type of Gas Your Stove's Uses _____

Your Dealer's Name _____

Fuel Type (Check one) Natural Gas Propane Gas (LP)

**NATIONAL
FIREPLACE
INSTITUTE**



CERTIFIED
www.nficertified.org

We recommend that our gas hearth products be installed and serviced by professionals who are certified in the U.S. by the National Fireplace Institute® (NFI) as NFI Gas Specialists.

**NATIONAL
FIREPLACE
INSTITUTE**



CERTIFIED
www.nficertified.org

Nous recommandons que nos foyers au gaz soient installés et que l'entretien soit effectué par des professionnels certifiés par le National Fireplace Institute® (NFI). (Etats-Unis seulement)

Lennox™ reserves the right to make changes at any time, without notice, in design, materials, specifications, prices and also to discontinue colors, styles and products. Consult your local distributor for fireplace code information.

LENNOXTM

HEARTH PRODUCTS

1110 West Taft Avenue • Orange, CA 92865

Free Manuals Download Website

<http://myh66.com>

<http://usermanuals.us>

<http://www.somanuals.com>

<http://www.4manuals.cc>

<http://www.manual-lib.com>

<http://www.404manual.com>

<http://www.luxmanual.com>

<http://aubethermostatmanual.com>

Golf course search by state

<http://golfingnear.com>

Email search by domain

<http://emailbydomain.com>

Auto manuals search

<http://auto.somanuals.com>

TV manuals search

<http://tv.somanuals.com>