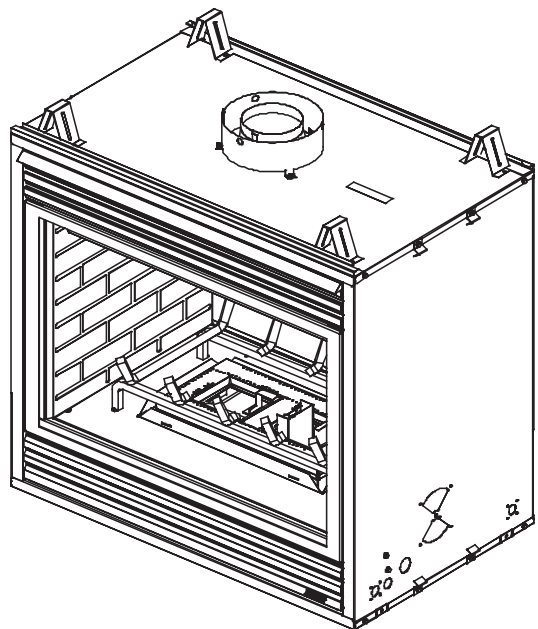




HEARTH PRODUCTS



HOMEOWNER'S CARE AND OPERATION INSTRUCTIONS

B-VENT SEE-THROUGH MERIT® PLUS SERIES

B-VENT GAS FIREPLACES

P/N 875,024M REV. NC 04/2005

MODELS

Millivolt Models

Electronic Models

MPB35ST-NM
MPB35ST-PM

MPB35ST-NE

WARNING: IF THE INFORMATION IN THIS MANUAL IS NOT FOLLOWED EXACTLY, A FIRE OR EXPLOSION MAY RESULT CAUSING PROPERTY DAMAGE, PERSONAL INJURY OR LOSS OF LIFE.

FOR YOUR SAFETY: Do not store or use gasoline or other flammables or liquids in the vicinity of this or any other appliance.

FOR YOUR SAFETY: What to do if you smell gas:

- **DO NOT** light any appliance.
- **DO NOT** touch any electrical switches.
- Do not use any phone in your building.
- Immediately call your gas supplier from a neighbor's phone. Follow your gas suppliers instructions.
- If your gas supplier cannot be reached, call the fire department.

Installation and service must be performed by a qualified installer, service agency or the gas supplier.

A French manual is available upon request. Order P/N 875,024CF

Ce manuel d'installation est disponible en francais, simplement en faire la demande. Numéro de la pièce 875,024CF

NATIONAL
FIREPLACE
INSTITUTE



CERTIFIED
www.nficertified.org

We recommend that our gas hearth products be installed and serviced by professionals who are certified in the U.S. by the National Fireplace Institute® (NFI) as NFI Gas Specialists.

RETAIN THESE INSTRUCTIONS FOR FUTURE REFERENCE

Listing Agency

Tested & Listed By



Beaverton
Oregon USA

OMNI-Test Laboratories, Inc.

OTL Report No. 116-F-27-5

CONGRATULATIONS!

In selecting this LENNOX B-Vent Gas Appliance you have chosen the finest and most dependable fireplace to be found anywhere. Its a beautiful, prestigious alternative to a wood burning fireplace. Welcome to a Family of tens of thousands of satisfied LENNOX Fireplace Owners.

Please carefully read and follow all of the instructions found in this manual. Please pay special attention to the safety instructions provided in this manual. The Homeowner's Care and Operation Instructions included here will assure that you have many years of dependable and enjoyable service from your LENNOX product.

TABLE OF CONTENTS

| | |
|---|---------|
| Introduction | page 2 |
| General Information | page 2 |
| Gas Controls/Control Compartment, Access | page 4 |
| Operation/Care of Your Appliance | page 4 |
| Variable Flame Adjustment..... | page 5 |
| Venting Action and (spill switch) | page 5 |
| Outside Combustion Air Control | page 6 |
| Maintenance..... | page 6 |
| Front Glass Enclosure Panel, Removal and Installation..... | page 7 |
| Logs, Vermiculite & Ember Placement | page 8 |
| Burner Adjustments | page 10 |
| Maintenance Schedule | page 11 |
| Troubleshooting Guide – Millivolt | page 12 |
| Troubleshooting Guide – Electronic ... | page 12 |
| Millivolt Appliance Checkout | page 14 |
| Electronic Appliance Checkout..... | page 14 |
| Wiring Diagrams | page 14 |
| Warranty | page 14 |
| Product Reference Information..... | page 14 |
| Accessory Components | page 15 |
| Lighting Instructions – Millivolt | page 18 |
| Lighting Instructions – Electronic | page 19 |
| Replacement Parts List | page 20 |

INTRODUCTION

The **millivolt appliances** have a millivolt gas control valve with a piezo ignition system which provides safe, efficient operation.

The **electronic appliances** have an electronic intermittent pilot system provides safe, efficient operation. External electrical power is required to operate these units.

LISTING AS FOLLOWS:

These appliances comply with National Safety Standards and are tested and listed by Omni-Test Laboratories (Report No. 116-F-27-5) to ANSI Z21.50 - 2000 (in Canada, CSA 2.22 - 2000), and CAN/CGA-2.17-M91 in both USA and Canada, as vented gas fireplaces.

Installation must conform to local codes. In the absence of local codes, installation must comply with the current National Fuel Gas Code, ANSI Z223.1 (NFPA 54). (In Canada, the current CAN/CGA B149 installation code.) Electrical wiring must comply with local codes. In the absence of local codes, installation must be in accordance with the National Electrical Code, NFPA 70 - (latest edition). (In Canada, the current CSA C22.1 Canadian Electric Code.)

GENERAL INFORMATION

Note: Installation and repair should be performed by a qualified service person. The appliance should be inspected annually by a qualified professional service technician. More frequent inspections and cleanings may be required due to excessive lint from carpeting, bedding material, etc.

! IMPORTANT

It is imperative that the control compartment, burners and circulating air passage ways of the appliance be kept clean. See Maintenance instructions on Page 6.

Provide adequate clearances around air openings and adequate accessibility clearance for service and proper operation. Never obstruct the front openings of the appliance.

Due to high temperatures the appliance should be located out of traffic and away from furniture and draperies. Locate furniture and window coverings accordingly.

These appliances are designed to operate on natural or propane gas only. The use of other fuels or combination of fuels will degrade the performance of this system and may be dangerous.

Millivolt Models - BTU Input

Millivolt models come standard with the manually-modulated gas valve; flame appearance and heat output can be controlled at the gas valve. Input of for these models is shown in the following table:

| Input (BTU) Manually-Modulated Gas Valves (millivolt models) | | |
|--|-----------|---------------------------|
| Models | Fuel Type | Input Rate (BTU / HR) |
| MPB35ST-NM | Nat. Gas | 30,000 high 23,000 low |
| MPB35ST-PM | Propane | 28,000 high 22,000 low |

Table 1

Electronic Models -

Electronic models have a fixed rate gas valve. Input of electronic models is shown in the following table:

| Input (BTU) - Fixed Rate (electronic models) | | |
|--|-----------|-----------------------|
| Models | Fuel Type | Input Rate (BTU / HR) |
| MPB35ST-NE | Nat. Gas | 30,000 |
| MPB35ST-PE <i>(if field converted)</i> | Pro. Gas | 28,000 |

Table 2

Gas Pressure -

Tables 3, 4 and 5 show the appliances' gas pressure requirements.

| Inlet Gas Supply Pressure (all models) | | |
|--|------------------------|------------------------|
| Fuel # | Minimum | Maximum |
| Natural Gas | 5.0" WC (1.24 kPa) | 10.5" WC (2.61 kPa) |
| Propane | 11.0" WC (2.74 kPa) | 13.0" WC (3.23 kPa) |

Table 3

| Manifold Gas Supply Pressure (millivolt models) | | |
|---|----------------------------|-----------------------------|
| Fuel # | Low | High |
| Natural Gas | (Lo) 2.2" WC (.55 kPa) | (Hi) 3.5" WC (.87 kPa) |
| Propane | (Lo) 6.3" WC (1.57 kPa) | (Hi) 10.0" WC (2.49 kPa) |

Table 4

| Manifold Gas Supply Pressure (electronic models) | |
|--|------------------------|
| Fuel # | Fixed |
| Natural Gas | 3.5" WC (.87 kPa) |
| Propane | 10.0" WC (2.49 kPa) |

Table 5

Test gauge connections are provided on the front of the millivolt gas control valve, identified IN for the inlet and OUT for the manifold side (see **Figurex 2 on Page 4**). A 1/8" NPT Test gauge connection is provided at the inlet and outlet side of the electronic gas control valve (see **Figurex 3 on Page 5**).

These appliances must be isolated from the gas supply piping system (*by closing their individual manual shut-off valve*) during any pressure testing of the gas supply piping system at test pressures equal to or **less than** 1/2 psig (3.5 kPa).

These appliances and their individual shut-off valves *must be disconnected* from the gas supply piping system during any pressure testing of that system at pressures **greater than** 1/2 psig (3.5 kPa).

Orifice Sizes - Sea Level to High Altitude (All Models)

These appliances are tested and approved for installations at elevations of 0-4500 feet (0-1372 meters) above sea level using the standard burner orifice sizes (marked with an "*" in **Table 6**). For elevations above 4500 feet, these appliances must be properly "derated" by the gas supplier or qualified service technician (usually done at the time of installation).

Note: Derated (definition) - Replacing burner orifice with a smaller one to reduce BTU input. The installation of this appliance must be according to the regulations of the local authorities having jurisdiction and, in the USA, the National Fuel Gas Code NFPA 54 / ANSI Z223.1 - latest edition or, in Canada, the CAN1-B149.1 and .2 codes - latest edition.

| Burner Orifice Sizes (all models) | | |
|---|------------------------------------|------------------------------------|
| Elevation Feet (meters) | Natural Gas drill size (inches) | Propane Gas drill size (inches) |
| 0-4500 (0-1372) | #37 (.104") * 24M1001 • | 1.55 mm (.061") * 42M7901 • |
| * Standard size installed at factory • Part /Cat. Number Table 6 | | |

Burn-in Period



During the first few fires of this appliance there will be some odor due to the curing of paint and burning off of lubricants used in the manufacturing process.

Depending on your use, the burn-in period may take a few hours or a few days.

KEEP YOUR HOUSE WELL VENTILATED DURING THE CURING PROCESS. THE ODOR AND HAZE EMITTED BY THE CURING PROCESS CAN BE QUITE NOTICEABLE AND MAY SET OFF A SMOKE DETECTOR.

A white film may develop on the glass front during the first few fires as part of the curing process. The glass should be kept clean during the first two weeks of use to prevent the film from baking on (making it very difficult to remove). See *Glass Cleaning* on **Page 8**.

SAFETY & WARNING INFORMATION

| | |
|---|---|
|  | WARNING If the information in this manual is not followed exactly, a fire or explosion may result causing property damage, personal injury or loss of life. |
|  | |

WARNING

Failure to comply with the installation and operating instructions provided in this document will result in an improperly installed and operating appliance, voiding its warranty. Any change to this appliance and/or its operating controls is dangerous. Improper installation or use of this appliance can cause serious injury or death from fire, burns, explosion or carbon monoxide poisoning.

IMPORTANT

These appliances must not be connected to a chimney or flue serving a separate solid fuel burning appliance.

WARNING

Do not use these appliances if any part has been under water. Immediately call a qualified, professional service technician to inspect the appliances and to replace any parts of the control system and any gas controls which have been under water.

WARNING

Do not attempt to alter or modify the construction of the appliance or its components. Any modification or alteration may void the warranty, certification and listings of this unit.

WARNING

Improper installation, adjustment, alteration, service or maintenance can cause injury or property damage. Refer to this manual. For assistance or additional information consult a qualified installer, service agency or the gas supplier.

WARNING

These fireplaces are vented heaters. Do not burn wood or other material in these appliances.

WARNING

This appliance is only for use with the type of gas indicated on the rating plate. This appliance is not convertible for use with other gases, unless a certified kit is used.

WARNING

Children and adults should be alerted to the hazards of high surface temperatures. Use caution around the appliance to avoid burns or clothing ignition. Young children should be carefully supervised when they are in the same room as the appliance.

Note: An Optional Screen Heat Guard for the glass is available (see Page 15 for ordering information).

⚠ WARNING

Carbon monoxide poisoning: early signs of carbon monoxide poisoning are similar to the flu with headaches, dizziness and/or nausea. If you have these signs, obtain fresh air immediately. Turn off the gas supply to the appliance and have it serviced by a qualified professional, as it may not be operating correctly.

⚠ WARNING

Any safety guard or screen removed for servicing the appliance must be replaced prior to operating the appliance.

⚠ WARNING

Do not place clothing or other flammable materials on or near appliance.

⚠ WARNING

B-Vent appliances are not designed to operate in negatively pressured environments (pressure within the home is less than pressures outside). Significant negatively pressured environments caused by weather, home design, or other devices may impact the operation of these appliances. Negative pressures may result in poor flame appearance, sooting, damage to property and/or severe personal injury. Do not operate these appliances in negatively pressured environments. Providing adequate ventilation to the appliance for combustion air will eliminate a negative pressure environment.

OPERATION AND CARE OF YOUR APPLIANCE

The standard controls for appliance operation are located behind the hinged drop-down panel below the appliance front glass enclosure panel (see *Figure 1*). Optional control switches are also available (see *Page 15 - Remote Wall Switch or Remote Control*).

Operation of millivolt and electronic gas control systems are different. Before lighting and operating your appliance determine if you have a millivolt or electronic appliance. Familiarize yourself with the gas control valve that your appliance uses. Refer to *Figure 1* for access to the gas control valve.

Millivolt Appliances - Appliances with Millivolt systems will be fitted with the gas control valve shown in *Figure 2*.

Electronic Appliances - Appliances with electronic systems will be fitted with the electronic valve shown in *Figure 3*.

Millivolt Appliances -

To light millivolt appliances refer to the detailed lighting instructions found on *Page 18*. **Millivolt appliance lighting instructions may also be found on the pull out lighting instruction labels attached to the gas control valve.**

Gas Control Compartment Access

The gas controls can be found behind the control compartment access panel.

To open the control compartment access panel, actuate the spring-loaded magnetic catches securing the panel. First, depress the outer top right corner of the panel until the catch "pops" the door free. Then, gently pull the door forward until the left top corner "pops" free, allowing the panel to swing out and down to open.

On millivolt systems, the piezo igniter, HI/LO flame adjustment knob, and pilot and main gas OFF/ON control knob are located below the glass panel enclosure. The gas valve for electronic systems is also located below the glass enclosure panel. See *Figure 1*.

To ease door closure, depress the catches to place them in their retracted position, then close the door.

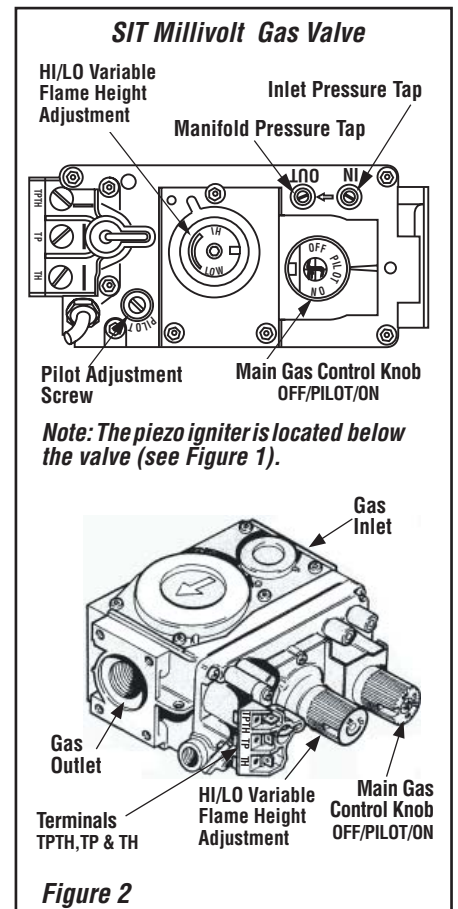
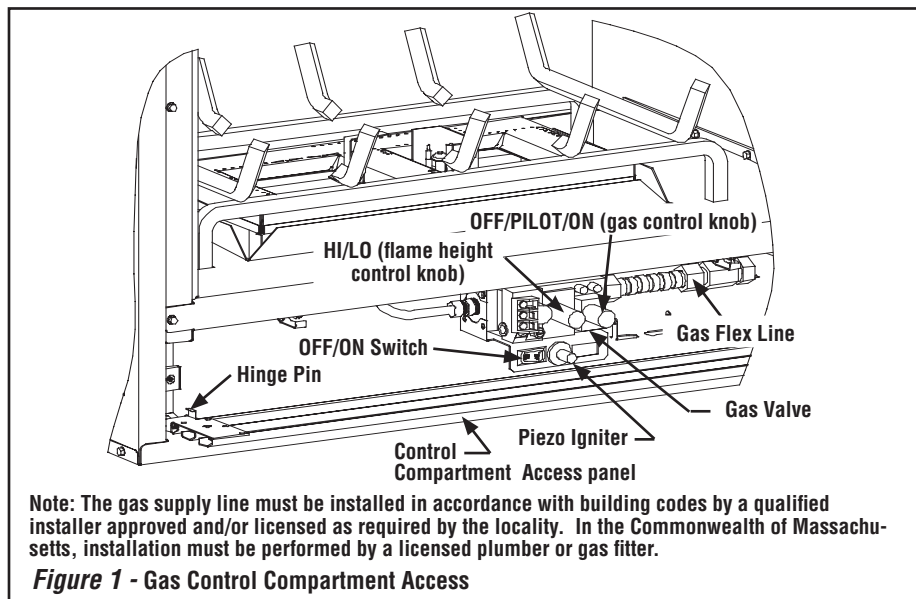


Figure 2

Millivolt appliances are fitted with an OFF/ON Rocker Switch located behind the control compartment access panel, below the appliance front glass enclosure panel (see **Figure 1** for location). Once the pilot is lit, the OFF/ON rocker switch will control the appliance OFF/ON burner operation. To operate: Toggle the switch between its ON and OFF positions.

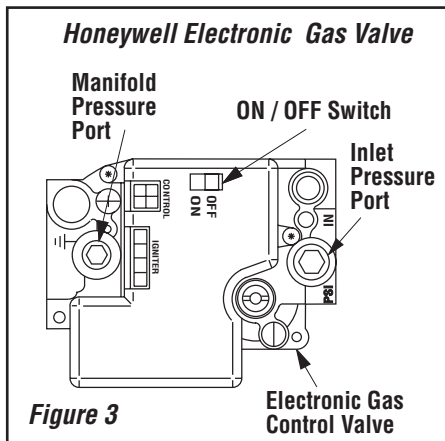
If your millivolt appliance is equipped with an optional remote switch kit (wall switch or remote control) and the pilot is lit, the appliance main burner may be turned on and off using the optional switch. When using an optional remote switch, turn off the standard OFF/ON switch.

Note: To prevent excessive resistance in burner circuit (which can cause burner operation problems), only one burner control switch should be wired to valve. Therefore, if an optional control switch is installed, the standard Off/On switch and wires should be removed.

Electronic Appliances -

To light electronic appliances refer to the detailed lighting instructions found on **Page 19**. **Electronic appliance lighting instructions may also be found on the pull out lighting instruction labels attached to the gas control valve.**

Once the pilot is lit, if your electronic appliance is equipped with an optional burner control switch kit the appliance main burner may be turned on and off using the optional switch (See **Optional Accessories** on **Page 15** - wall switch, or remote control Receiver).



Variable Flame Height Adjustment (Millivolt Appliances only)

1. All Millivolt appliances are equipped with a variable gas control valve. Flame height for these models may be adjusted through a range between fixed low and high settings while the appliance is in operation. Adjust the flame height as desired after lighting the appliance by rotating the variable adjustment control knob (HI/LO) located on the front of the valve (refer to **Figure 2**).

2. During the first initial burns of these appliances, there will be some odor emitted (see **Burn-In Period** on **Page 3**).
3. Keep the lower control compartment clean by vacuuming or brushing at least twice a year. More frequent cleaning may be required due to excessive lint from carpeting, bedding materials, pet hair, etc. **It is very important that the control compartments, burners and circulating air passageways of the appliance are kept clean.**
4. Always turn off gas to the pilot (millivolt appliances) and let the appliance cool down before cleaning. Before re-lighting, refer to the lighting instructions in this manual. Lighting instructions may also be found on the pull out lighting instruction labels attached to the gas control valve.
5. Always keep the appliance area clear and free from combustible materials, gasoline and other flammable liquids.
6. Remember, Millivolt appliances have a continuous burning pilot flame. Exercise caution when using products with combustible vapors.

VENT OPERATION TEST

A vent operation test is required as part of the installation to verify that proper venting conditions exist and should be done periodically to ensure nothing has changed that would affect proper venting of the appliance.

Procedure:

1. ENSURE APPLIANCE IS OFF (PILOT ONLY) AND COOL.
2. Open both latches on one of the glass enclosure doors and slightly prop it open at the bottom (approx. 1/4" gap). See **Figure 6** on **Page 9**.
3. Turn on all the exhaust fans in the dwelling (and any other appliances which remove air from the dwelling, such as a furnace or clothes dryer, etc.).
4. Ensure that all the doors and windows in the room where the fireplace is located are closed.
5. Light the appliance (see **Lighting Instructions, Pages 18 & 19**). Adjust flame height to highest setting and operate for approximately 5-10 minutes. Do not leave appliance unattended.
6. Take a smoke producing device and move it along the bottom edge of the glass door (where it is cracked open). If smoke is drawn into the firebox, the vent operation is adequate.

IF THE SMOKE IS NOT DRAWN INTO THE FIREBOX, TURN THE APPLIANCE OFF AND CALL A QUALIFIED SERVICE TECHNICIAN.

NOTE: DIAGRAMS & ILLUSTRATIONS NOT TO SCALE.

SPILL SWITCH OPERATION

Manual-Reset (safety limit) Spill Switch

This appliance is equipped with a (safety limit) spill switch that is designed to "trip" and disconnect the burner circuit if flue spillage occurs (because of improper venting of combustion products or vent blockage). If, during appliance operation, the burner flame goes out (independently of the burner OFF/ON wall switch), it may be due to the operation of this (safety limit) spill switch. If this switch "trips" it will need to be manually reset by pressing the reset button on switch (see **Figure 4**).

Procedure to Reset (safety limit) Spill Switch

ALLOW APPLIANCE TO COOL COMPLETELY BEFORE ACCESSING AND RESETTING

To access the spill switch:

1. Pull off the top louvered panel.
2. Locate and press the red reset button on the switch (it will click & lock in).

The appliance should then relight and remain lit. If this does not occur, **turn off the appliance and call a qualified service technician.**

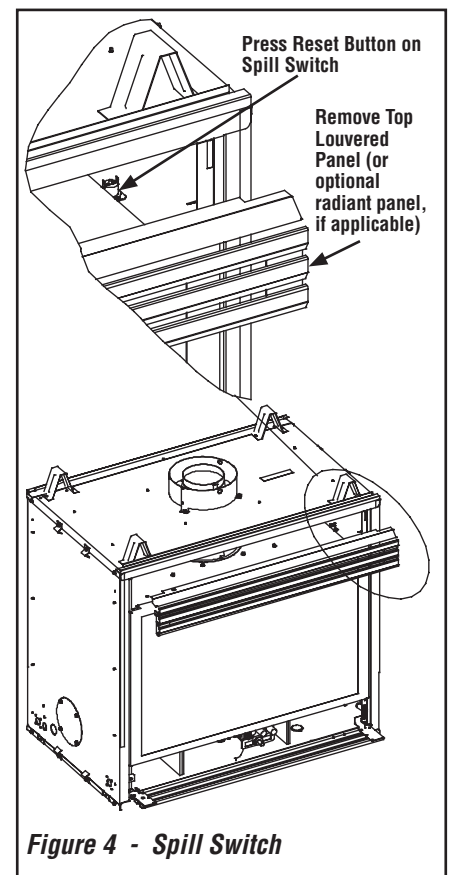


Figure 4 - Spill Switch

Outside Combustion Air Controls

Many appliances are equipped, when installed, with an outside (make-up air) vent system that is designed to provide the appliance with outside make-up air for combustion when in operation.

The outside air control lever for the outside air system is standard on all appliances but should not be operated if the complete system is not installed. Refer to **Figure 5**. When the complete outside air vent system is installed, the installer will remove the securing screw from the combustion air control lever located on the right side of the fireplace opening.

If the securing screw has not been removed and you have reason to believe that you have a complete outside air system, contact your distributor to have your appliance inspected for the presence of the complete system. **DO NOT** assume that you have this system in place.

WARNING

Do not operate the shutoff lever unless a complete outside combustion air system has been installed with your appliance.

To open the outside air shutter, open the bottom control access panel, and pull the outside air control lever all the way out. The outside air shutter should be fully open when the fireplace is in use and completely closed when the fireplace is not being used. Closing it when not in use will prevent outside cold air from entering the dwelling.

The hand operated outside air control lever is located on the right side of the fireplace opening. **See Figure 5**.

To open the outside air, open the bottom control access panel, reach into the gap between the firebox bottom and pull the outside air control lever all the way out.

The outside air shutter should be fully open when the fireplace is in use and completely closed when the fireplace is not being used. Closing it when not in use will prevent outside cold air from entering the dwelling.

Operate the actuator through several cycles including the closed position. Ensuring proper operation and freedom of movement. Return the actuator arm to the closed position.

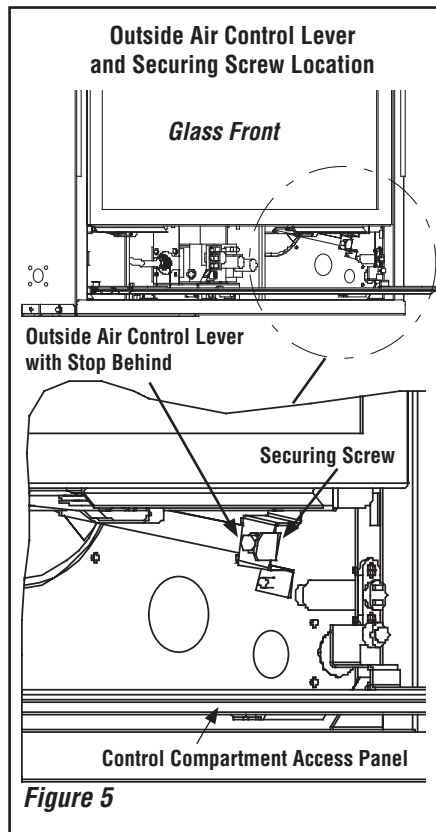


Figure 5

MAINTENANCE

(See Maintenance Schedule, Page 20)

Refer to the maintenance schedule for maintenance tasks, procedures, periodicity and by whom they should be performed. Always verify proper operation of the appliance after servicing.

WARNING

Turn off gas and electrical power before servicing the appliance.

CAUTION

Wear gloves and safety Glasses for protection while doing required maintenance.

IMPORTANT

Always verify proper operation after servicing.

Before re-lighting the fireplace, refer to the lighting instructions in this manual. Instructions are also found on pull-out panels located below the glass door in the control compartment.

Inspect Venting System

The appliance and venting system should be thoroughly inspected before initial use and at least annually by a qualified service technician (inspection should include ensuring that exhaust or intake passages are unobstructed and vent components are properly assembled and not damaged). If the venting system is disassembled for any reason, a qualified service technician should follow vent installation instructions for proper reassembly and proper sealing of the venting system components. However, more frequent periodic inspections and cleanings should be performed by the homeowner.

Clean Lower Control Compartment

Keep lower control compartment clean by vacuuming or brushing it out at least twice a year (also clean the air venturi with a brush or wire). More frequent cleaning may be required due to accumulation of lint from carpeting, bedding materials, pet hair, spider webs, etc. **It is very important that control compartments, burners, circulating air passageways and air venturi on the appliance are NOT obstructed in any way.**

Cleaning Glass

(see *Front Glass Enclosure Panel, Removal and Installation* on **Page 9**) Note: Clean glass after first two weeks of operation (after Burn-In period is over) and then only when necessary and when the fireplace is cool. Wipe surface with clean, dampened, soft cloth. Follow with dry, soft towel as desired. Take care not to scratch the glass surface.

The viewing glass should be cleaned periodically to remove any build-up caused from the following:

IMPORTANT

Do not use abrasive cleaners on glass. Never clean glass when hot.

- During start-up, it is normal for condensation to form on the inside of the glass (this condensation and fog will usually disappear in a few minutes). The moisture can cause lint, dust and other airborne particles to cling to the glass surface.
- Initial curing of the high temperature paint and burning off of lubricants used in the manufacturing process may result in a film on the glass.
- A white coating may form on the glass as a result of impurities and minerals in the fuel.

It is recommended that the glass be cleaned two or three times during each heating season, depending on the circumstances present.

The following cleaning solutions are approved for use to clean glass:

- Non-ammonia based household cleaner
- 50%-50% mix of white vinegar & water
- gas fireplace/stove glass cleaner

Inspect Glass Gasket - Visually inspect the gasket on the backside of the glass enclosure panels. The gasket surface must be clean, free of irregularities and seated firmly.

Cleaning Logs And Burner

Carefully remove the logs (use care when handling the fiber logs, as they become quite fragile after curing). Vacuum out any foreign matter (lint, carbon, etc.) on the burner. Ensure the burner ports are "open." Remove any carbon deposits from the under side of the logs using a vacuum cleaner, or a soft bristled brush (i.e. paint brush). Note: Improper positioning of logs can create carbon build-up and will alter the performance of the appliance.

Replacing Logs -

If the logs become damaged by accident or improper handling and need replacement, use only the proper replacement logs from manufacturer (see **Page 23** for ordering information).

Re-Install Embers, Logs and Vermiculite

- Carefully follow placement instructions on **Pages 9 to 12**). All logs should fit onto corresponding pins and/or log stoppers. This will ensure a proper flame and safe combustion.

Inspect Wiring

Refer to wiring diagrams on **Page 14**.

⚠ WARNING

Label all wires prior to disconnection when servicing controls. Wiring errors can cause improper and dangerous operation. Verify proper operation after servicing.

Inspect and clean all wire connections. Ensure that there is no melting or damage. Inspection should include:

- Terminals at the Valve
- OFF/ON Switch
- (Optional Control Switch) Remote Control or Remote Wall Switch Kit

Inspect Burner Flame Appearance

Ensure that the burner flame appearance resembles the flame shown in **Figure 15** and as described in *Flame Appearance and Sooting* on **Page 13**. The Homeowner must contact a qualified service technician at once if any abnormal condition is observed.

Small Area Paint Touch-up

The finish of the appliance is a high quality powdercoat. Only use factory supplied powdercoat paint kit for touch-ups. Paint is available at your local authorized Lennox Hearth Products dealer (cat. no. 90L74). Never attempt to paint a hot fireplace.

Do not attempt to repaint the appliance until the finish is completely cured (see *Burn-In Period* on **Page 3**). If the surface later becomes stained or marred, it may be lightly sanded and touched up with spray paint.

Front Glass Enclosure Panel

⚠ WARNING

Do not attempt to touch the front enclosure glass with your hands while the fireplace is in use.

⚠ WARNING

Do not operate appliance with the glass front removed, cracked or broken. Replacement of the glass should be done by a licensed or qualified service technician.

⚠ WARNING

Handle this glass with extreme care! Tempered glass is susceptible to damage – do not scratch or handle roughly while reinstalling the glass door frame.

⚠ WARNING

Do not attempt to substitute the materials used on this door, or replace cracked or broken glass with any materials other than those provided by the appliance manufacturer.

⚠ WARNING

The glass door of this appliance must only be replaced as a complete unit as provided by the manufacturer. Do not attempt to replace broken, cracked or chipped glass separately.

These fireplaces are designed to operate only with the glass enclosure panels properly installed. Generally the glass enclosure panels should not be removed except to gain access to the components within the firebox, and the appliance may only be operated without the front glass enclosure panel in place for very brief periods of time during initial appliance checkout and adjustment.

During this appliance checkout and adjustment period, a potential safety hazard exists - **EXERCISE EXTREME CAUTION** to prevent the occurrence of any burn injuries from the exposed flames or hot surfaces. Also note, that while the front glass enclosure panel (or any of the panels) is removed, the flame appearance will appear to be smaller than normal.

Removing Glass Enclosure Panels (see **Figure 6**)

1. Remove the top louver assembly or radiant panel by pulling it out and off.
2. Open the control compartment access panel by actuating the spring-loaded magnetic catches securing the panel (gently depress the outer top corners of the louvered or radiant panel until the catches "pop" the door free, allowing it to swing out and down to the open position).
3. Locate the two (2) latches at the top of the control compartment. To disengage the two latches from the bottom vee-flange of the glass enclosure panel, reach for the handles located towards the back of the latches and pull the handles down toward the front of the appliance.
4. Swing the bottom of the door out and raise it slightly to lift the top flange of the door frame away from the appliance.

Installing Glass Enclosure Panels (see **Figure 6**)

1. Visually inspect the gasket on the backside of the panels. The gasket surface must be clean, free of irregularities and seated firmly.
2. Position the glass enclosure panel in front of the firebox opening at a 45 degree angle and engage the top flange over the lip at the top of the firebox opening. **See Figure 6**.
3. Swing the glass enclosure panel down and back. Ensure the gasket seats evenly as the panel draws shut. Engage the Vee-flange at the bottom of the panel with the latches and close the latches to secure the panel.
4. Close the bottom control compartment access panel.

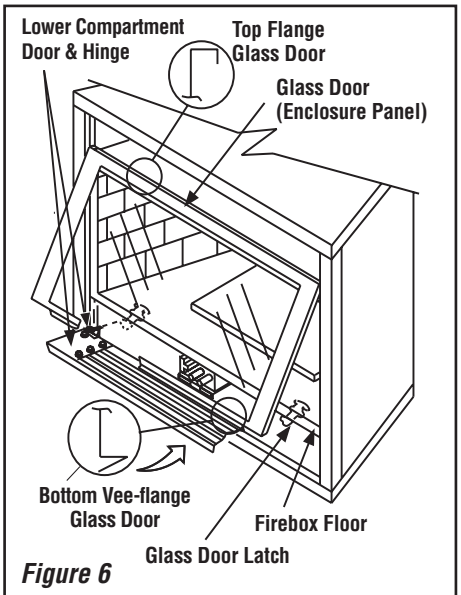


Figure 6

RE-INSTALLING GRATE, VERMICULITE, GLOWING EMBERS AND LOGS

LOG SET - IDENTIFICATION

| LOG SET Catalog Number H3210 | |
|---------------------------------|-------------------|
| * Item | Description |
| A | Log, Center |
| B | Log, Left Rear |
| C | Log, Left Front |
| D | Log, Right Rear |
| E | Log, Top Center |
| F | Log, Front Center |

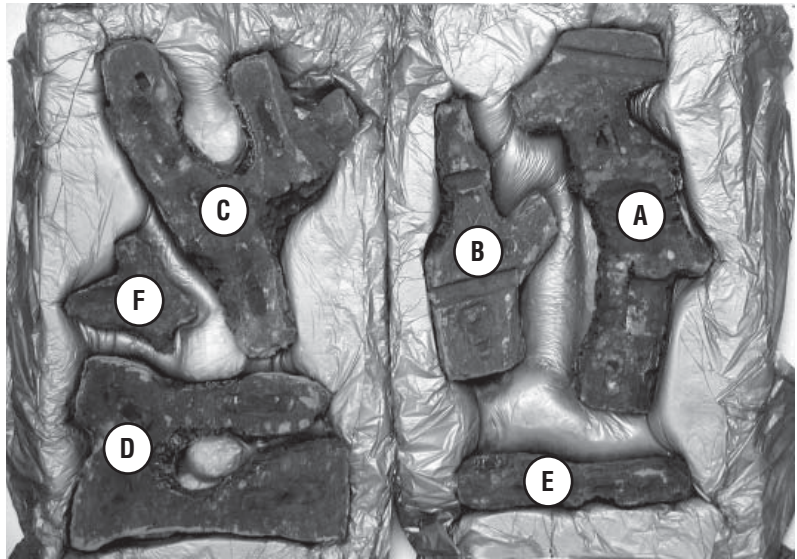
** Item "letters" above correspond to photos on right*

| REFERENCE Firebox Accessories / Parts | | |
|--|-----------|---|
| Cat. No. | Model No. | Description |
| 88L53 | FGE | Bag of Glowing Embers (1 oz. rockwool) |
| 42363 | | Vermiculite, Bag (2 liters) |

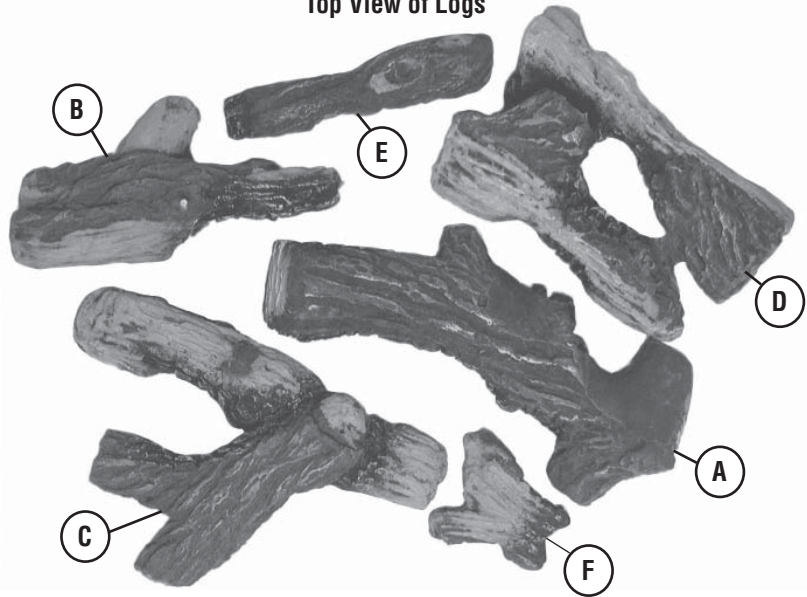
WARNING

The size and position of the log set was engineered to give the appliance a safe, reliable and attractive flame pattern. Any attempt to use a different log set in the firebox will void the warranty and will result in incomplete combustion, soot-ing, and poor flame quality.

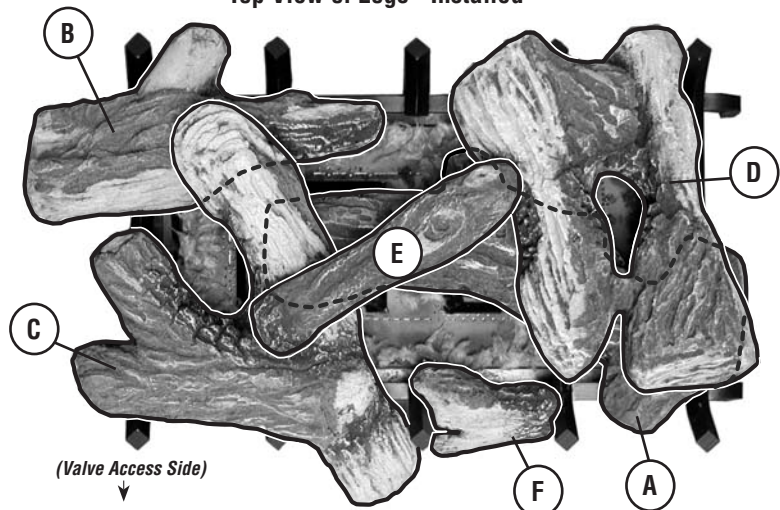
Bottom View of Logs (in packaging)



Top View of Logs



Top View of Logs - Installed



Glowing Embers

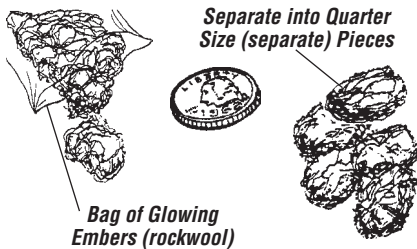
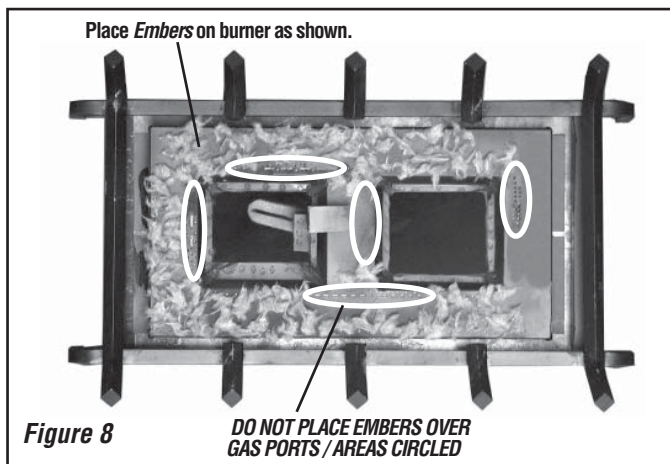


Figure 7

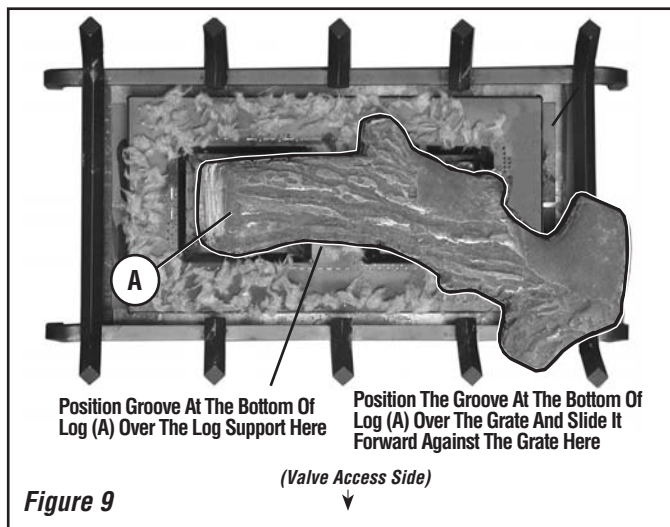
READ LOG WARNINGS ON PAGE 9 BEFORE PROCEEDING

1. **Remove front glass enclosure panel** from appliance.
 - a. Open Control Compartment Access Panel (see *Control Compartment Access Instructions* on **Page 4**).
 - b. Remove the glass panel enclosure (see *Removing Glass Enclosure Panel* instructions on **Page 9**).
2. **Remove the following from firebox**, log set, embers (rockwool) and vermiculite. **Handle logs carefully to prevent breakage.**
3. **Ensure the Grate is properly installed** in the firebox with the 4 legs of the grate fitting into the 4 dimples on the firebox floor.
4. **Install Vermiculite**- Place some vermiculite on the firebox floor around the grate (the entire bag of vermiculite will NOT be used). See **Figure 15 on Page 13**. **DO NOT PLACE ANY VERMICULITE ON THE BURNER.**
6. **Placement of Glowing Embers** - Separate the Embers (rockwool) into pieces about the size of a quarter (see **Figure 7**). Keep the pieces fluffed up, not matted. Distribute these pieces over the surface of the burner, as shown in **Figure 8**. Do not use more than is necessary. Ensure that the main burner ports remain uncovered by the ember material.

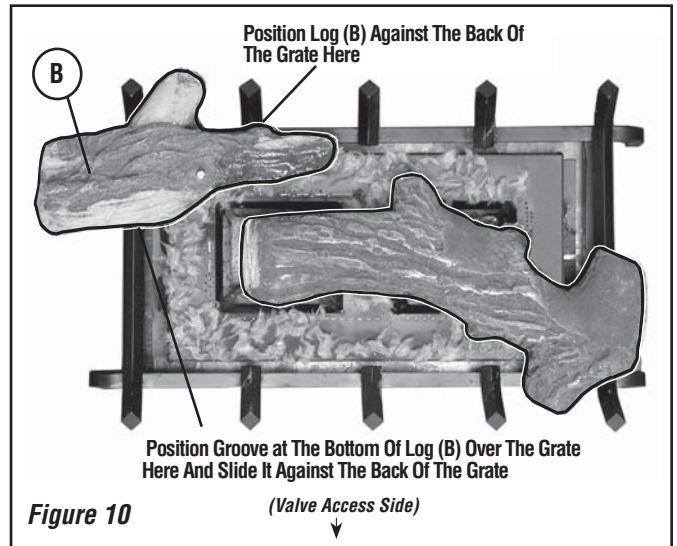
Note: This appliance is provided with enough Glowing Embers for several applications, do not use all that is in a new bag at one time. For best glowing effect, replace the ember material annually. Replacement Glowing Embers are available (order Catalog Number 88L53).



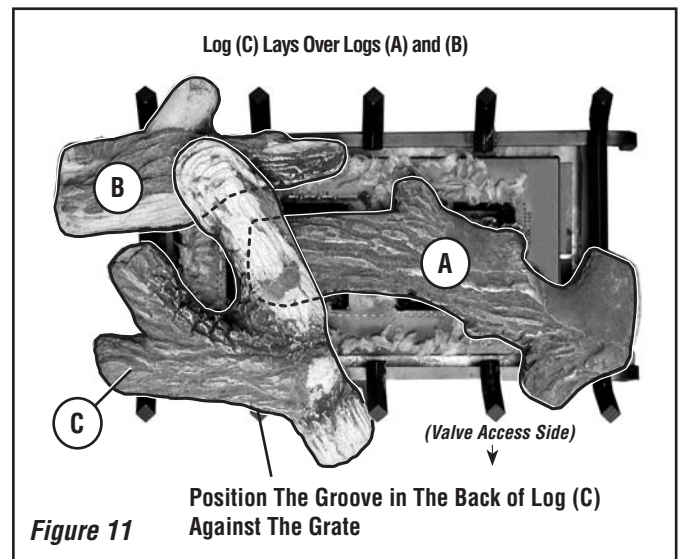
7. Place Log (A) on the grate as shown in **Figure 9**



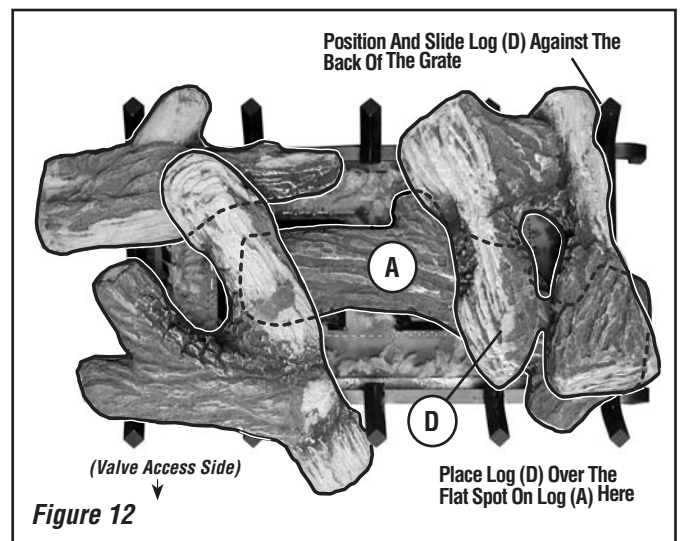
8. Place Log (B) as shown in **Figure 10**.



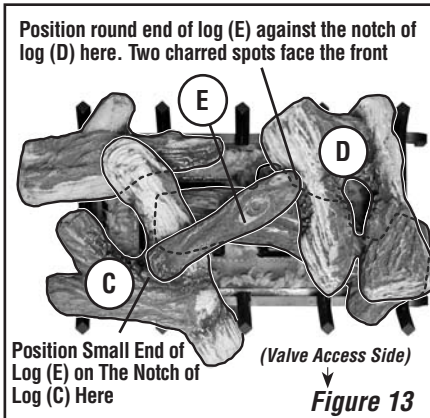
9. Place Log (C) as shown in **Figure 11**.



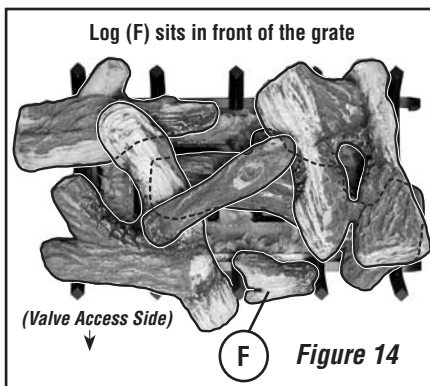
10. Place Log (D) as shown in **Figure 12**.



10. Place Log (E) as shown in *Figure 13*.



11. Place Log (F) as shown in *Figure 14*.



WARNING

This appliance is not designed to burn wood. Any attempt to do so could cause irreparable damage to appliance and prove hazardous to your safety.

WARNING

If logs are not installed according to the log installation instructions, flame impingement and improper combustion could occur and result in soot and/or excessive production of carbon monoxide (CO), a colorless, odorless, toxic gas.

WARNING

DO NOT attempt to install the logs until the appliance installation has been completed, the gas line connected and tested for leaks and the initial burner operation has been checked out.

WARNING

Logs get very hot and will remain hot up to one hour after gas supply is turned off. Handle only when logs are cool. Turn off all electricity to the appliance before you install grate and logs.

BURNER ADJUSTMENTS (QUALIFIED TECHNICIANS ONLY)

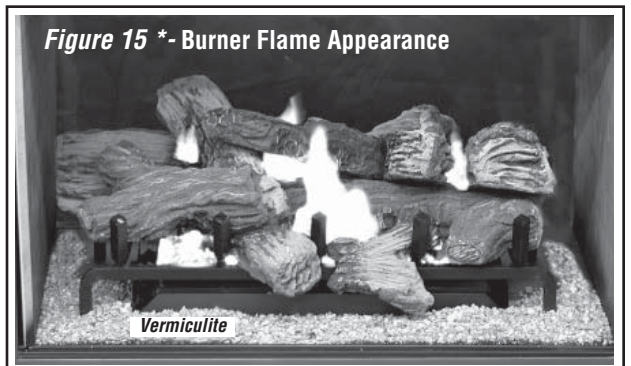
If the air shutter openings closed too far, sooting may develop. Sooting is indicated by black puffs developing at the tips of very long orange flames. Sooting results in black deposits forming on the logs, appliance inside surfaces and on exterior surfaces adjacent to the vent termination. Sooting is caused by incomplete combustion in the flames and lack of combustion air entering the air shutter opening. To achieve a warm yellowish-orange flame with an orange body that does not soot, the shutter opening must be adjusted between these two extremes.

Air Shutter Adjustment Guidelines

- If there is smoke or soot present, first check the log set positioning to ensure that the flames are not impinging on any of the logs. If the log set is properly positioned and a sooting condition still exists, then the air shutter opening should be increased.
- The more offsets in the vent system, the larger the air shutter opening will need to be.
- An appliance operated with the air shutter opened too far, may have flames that appear blue and transparent. These weak, blue and transparent flames are termed anemic.
- Propane models may exhibit flames which candle or appear stringy. If this is present and persists, adjust the air shutter to a more closed position, then operate the appliance for a few more minutes to ensure that the flame normalizes and the flames do not appear sooty.

Flame Appearance & Sooting

Proper flame appearance is a flame which is blue at the base and becomes yellowish-orange in the body of the flame. When the appliance is first lit, the entire flame may be blue and will gradually turn yellowish-orange during the first 15 minutes of operation. If after period the flame stays lowered blue, or if the flame is orange with evidence of sooting (black tip), the air shutter opening may need to be adjusted.



The following chart is provided to aid you in achieving the correct air shutter adjustment for your installation.

| Air Shutter Adjustment Guidelines: | | |
|------------------------------------|------------------------|-------------------------------------|
| Amount of Primary Air | Flame Color | Air Shutter Adjustment |
| If air shutter is closed too far → | Flame will be orange → | Air shutter gap should be increased |
| If air shutter is open too far → | Flame will be blue → | Air shutter gap should be decreased |

WARNING

Air shutter adjustment should only be performed by a qualified professional service technician.

WARNING

Ensure front glass panels are in place and sealed during adjustment.

CAUTION

The air shutter door and nearby appliance surfaces are hot. Exercise caution to avoid injury while adjusting flame appearance.

CAUTION

Carbon will be produced if the air shutter is closed too much. Any damage due to carboning resulting from improperly setting the air shutter is not covered under the warranty.

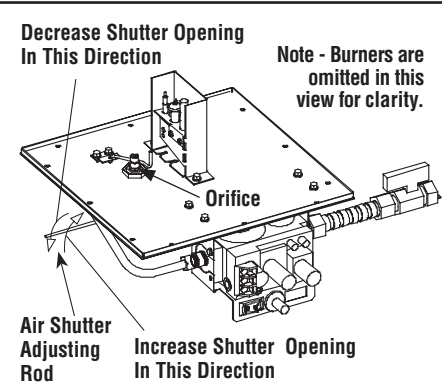
Burner Air Shutter Adjustment Procedure

1. Locate adjustment rod and adjust air shutter to the standard setting as shown in *Figure 16* (adjustment rod is located in the lower control area). **Note:** Rotating the adjustment rod counterclockwise decreases air and clockwise increases air.

2. Light appliance (follow lighting procedure on lighting label in control compartment or see homeowners manual).
3. Allow the burner to operate for at least 15 minutes while observing the flame continuously to ensure that the proper flame appearance has been achieved (see **Figure 15**). If the following conditions are present, adjust accordingly.
 - If flame appears weak or sooty, adjust the air shutter, incrementally, to a more open position until the proper flame appearance is achieved.
 - If flame stays lowered blue, adjust the air shutter, incrementally, to a more closed position until the proper flame appearance is achieved.

| Main Burner Factory Air Shutter Opening Setting - All Models | | |
|--|---------------|---------------|
| Model | Natural Gas | Propane Gas |
| MPB35ST | 1/8" 3.2mm | 1/4" 6.4mm |

Figure 16 Adjustment Rod Positions (when viewed from above)



Decrease Shutter Opening In This Direction

Note - Burners are omitted in this view for clarity.

Orifice

Air Shutter Adjusting Rod

Increase Shutter Opening In This Direction

4. Leave the control knob (off/pilot/on) in the ON position and the burner OFF/ON switch OFF (& remote switches, if applicable).
5. When satisfied that the burner flame appearance is normal, close the lower control compartment door.

MAINTENANCE SCHEDULE - Annually (Before the onset of the Burning Season)

| MAINTENANCE TASK | ACCOMPLISHING PERSON | PROCEDURE |
|---|--|---|
| Inspecting/Cleaning Burner, Logs and Controls | Qualified Service Technician | Inspect valve and ensure it is properly operating. Check piping for leaks. Vacuum the control compartment, fireplace logs and burner area. |
| Check Flame Patterns and Flame Height | Qualified Service Technician | Refer to Figure 15 on Page 13 and verify the flame pattern and height displayed by the appliance conforms to the picture. Flames must not impinge on the logs. Ensure flames are steady (not lifting or floating). |
| Inspecting/Cleaning Pilot and Burner | Qualified Service Technician | Refer to Figure 17 and Figure 18 on Page 14 . Remove any surface build-up on pilot and burner assembly. Wipe the pilot nozzles, igniter/flame rod and hood. Ensure the pilot flame engulfs the flame sensor as shown. |
| Checking Vent System | Qualified Service Technician | Inspect the vent system at the top and at the base (within the firebox) for signs of blockage or obstruction. Look for any signs of dislocation or deterioration of the vent components. Note: Inspect wall straps or plumbers' tape to ensure it is secure and in place. |
| Appliance Checkout | Qualified Service Technician | Perform the appropriate appliance checkout procedure detailed in this manual. |
| Replacing Rockwool Ember Materials | Homeowner/Qualified Service Technician | Remove old ember materials (rockwool) and vacuum the ember placement area. Place new embers as described in Step 6 on Page 11 . |

MAINTENANCE SCHEDULE - Periodically (After the Burning Season)

| MAINTENANCE TASK | ACCOMPLISHING PERSON | PROCEDURE |
|---------------------------------------|----------------------|---|
| Cleaning Firebox Interior | Homeowner | Carefully remove logs, embers (rockwool), and vermiculite. Vacuum out interior of the firebox. Clean firebox walls and log grate. Replace logs, embers (rockwool) and vermiculite as detailed in this manual (see Pagexs 8-10). |
| Check Flame Patterns and Flame Height | Homeowner | Refer to Figure 15 on Pagex 10 and verify the flame pattern and height displayed by the appliance conforms to the picture. Flames must not impinge on the logs. |
| Checking Vent System | Homeowner | Inspect the vent system at the top and at the base (within the firebox) for signs of blockage or obstruction. Look for any signs of dislocation of the vent components. |
| Cleaning Front Glass Enclosure Panel | Homeowner | Clean as necessary following the directions provided in this manual. DO NOT TOUCH OR ATTEMPT TO CLEAN GLASS WHILE HOT. |

TROUBLESHOOTING

Note: Before troubleshooting the gas control system, Ensure external gas shut off valve, located at gas supply inlet, (and wall switch, iff applicable), is in the "ON" position. **Important:** Valve system troubleshooting should only be accomplished by a qualified service technician.

TROUBLESHOOTING GUIDE - MILLIVOLT GAS CONTROL SYSTEM

| SYMPTOM | POSSIBLE CAUSES | CORRECTIVE ACTION |
|--|---|--|
| 1. Spark igniter will not light pilot after repeated triggering of igniter button. | A. Defective igniter (no spark at electrode). | Check for spark at electrode and pilot; if no spark and electrode wire is properly connected, replace igniter. |
| | B. Defective or misaligned electrode at pilot (spark at electrode). | Using a match, light pilot. If pilot lights, turn off pilot and trigger the igniter button again. If pilot lights, an improper gas mixture caused the bad lighting and a longer purge period is recommended. If pilot will not light – check gap at electrode and pilot – should be 1/8" to have a strong spark. If gap measures 1/8", replace pilot (see Figure 17 on Page 14). |
| | C. Gas supply pressure errant. | Check inlet gas pressure. It should be within the limits as marked on the rating plate. |
| | D. Pilot orifice plugged. | Clean or replace pilot orifice. |
| 2. Pilot will not stay lit after carefully following the lighting instructions. | A. Defective pilot generator (thermocouple). | Check pilot flame, it must impinge on thermocouple (see Figure 17 on Page 14). Clean and/or adjust pilot for maximum flame impingement on thermocouple. Ensure that the connection between the valve and thermocouple are tight and secure. |
| 3. Pilot burning, no gas to burner, Valve knob "ON," and the (standard) burner OFF/ON switch is "ON." Read important note below. IMPORTANT NOTE: If an optional *remote switch is used for burner operation, the standard burner OFF/ON switch on appliance must be in the "OFF" position. *Optional remote switch kits - wall switch or remote control. | A. Manual Reset Spill Switch has Tripped or is defective. | Follow <i>Manual Reset</i> procedure on Page 6 . Once the red reset button is fully depressed and clicks in, check continuity with a multimeter between switch terminal (Ohms). If it shows an open circuit, replace switch. |
| | B. Wall switch or wires defective. | Check wall switch and wires for proper connections. Jumper wire across terminals at wall switch, if burner comes on, replace defective wall switch. If okay, jumper wires across wall switch wires at valve, if burner comes on, wires are faulty or connections are bad. |
| | C. Thermopile may not be generating sufficient millivolts. | Check thermopile with millivolt meter. Take reading at thermopile terminals of gas valve. Should read 325 millivolts minimum with optional wall switch "OFF." Replace faulty thermopile if reading is below specified minimum. |
| | D. Plugged burner orifice. | Check burner orifice for blockage and remove. |
| | E. OFF/ON Switch & *Remote Switch are in the "ON" position resulting in excessive resistance. | When turning on the burner using a *remote switch, ensure that the standard OFF/ON switch is in the "OFF" position. If both switches are in the ON position, it may result in excessive resistance (& millivolt drainage) and the burner may not come on. |
| 4. Frequent pilot/burner outage problem. | A. Pilot flame may be too low or blowing (high) causing the pilot/valve safety to drop out. | Clean and/or adjust pilot flame for maximum flame impingement on thermocouple (see Figure 19 on Page 20). |

TROUBLESHOOTING GUIDE - ELECTRONIC IGNITION SYSTEM

| SYMPTOM | POSSIBLE CAUSES | CORRECTIVE ACTION |
|---|---------------------------------------|---|
| 1. Burner will not light. | A. Faulty Valve System. | See Below. |
| | B. "OFF/ON" or wall switch defective. | Disconnect the two black wires from the wire nuts. Test switch(s) for continuity with a multimeter. If continuity is not indicated, switch(s) is defective and must be replaced. Note: Before replacing "OFF/ON" switch, Ensure to check wiring for loose connections or broken wires and repair as needed. |
| 2. Burners come "ON," then turns "OFF." | A. Burner orifice plugged. | Check main burner orifice(s) for blockage. Clean or replace. |
| | B. Obstructed vent system. | Check vent system for obstructions. |

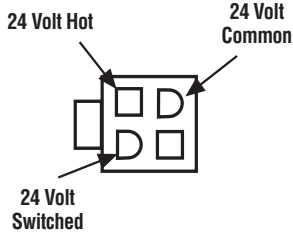
TROUBLESHOOTING PROCEDURE - ELECTRONIC IGNITION SYSTEM

START

- Turn Off Gas Supply.
- Ensure Valve Switch Is In ON Position.
- Disconnect Control Harness.
- Set Thermostat To Call For Heat.

Insert A

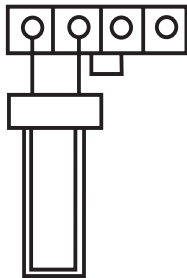
End View of Control Harness Connector



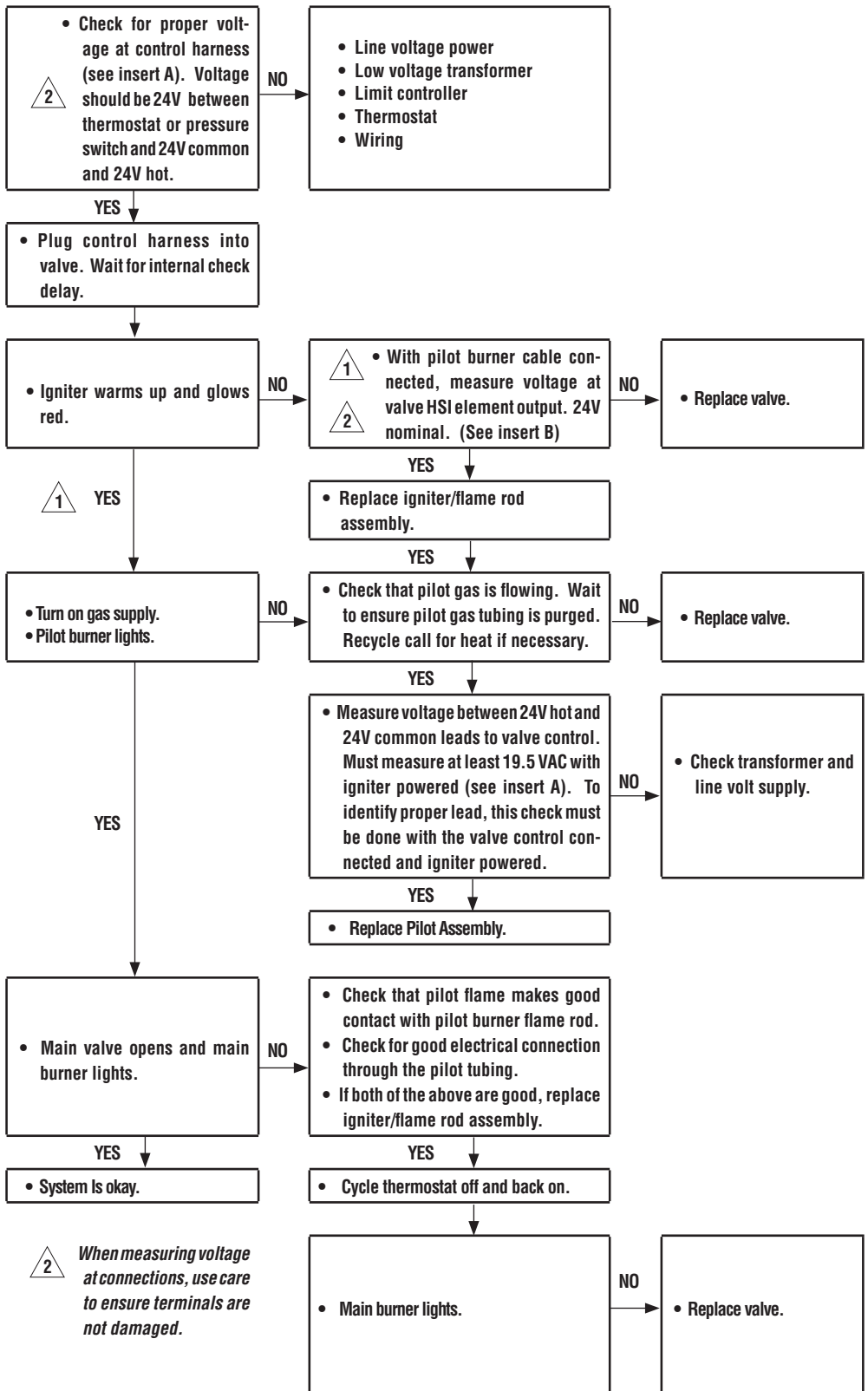
Check For Damaged or Missing Terminals in Connector

Insert B

Igniter Terminals



CHECK



1 Igniter will cycle off and back on once during the 90 second ignition trial. All voltage measurements must be taken while the igniter is powered.

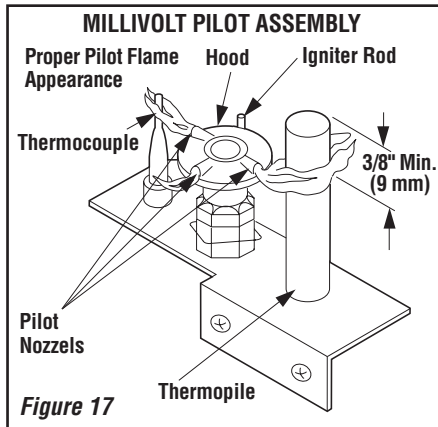
2 When measuring voltage at connections, use care to ensure terminals are not damaged.

Millivolt Appliance Checkout

The pilot flame should be steady, not lifting or floating. Flame should be blue in color with traces of orange at the outer edge.

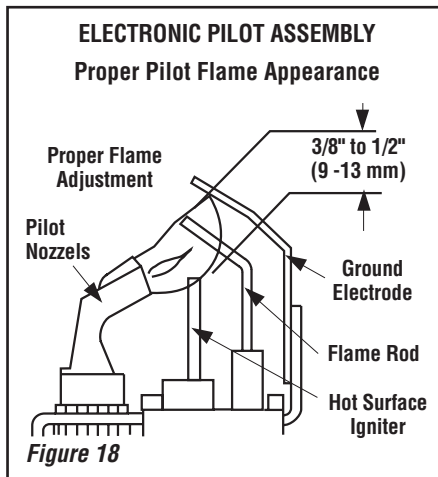
The top 3/8" (10 mm) at the pilot generator (thermopile) and the top 1/8" min (tip) of the quick drop out thermocouple should be engulfed in the pilot flame. The flame should project 1" (25 mm) beyond the hood at all three ports. See **Figure 17**.

To light the burner, refer to the lighting instructions on **Page 18**.



Electronic Appliance Checkout

To light the burner, refer to the lighting instructions on **Page 19**. Ensure the igniter lights the pilot. The pilot flame should engulf the flame sensor as shown in **Figure 18**.



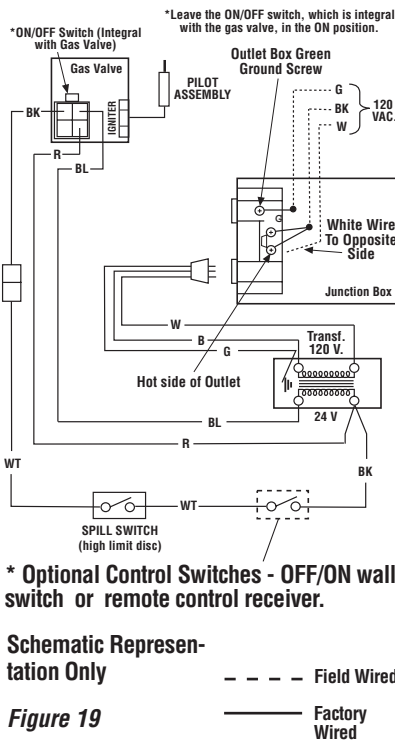
With proper care and maintenance, your appliance will provide many years of enjoyment. If you should experience any problem, first refer to the trouble shooting guide in this manual. If problem persists, contact your Lennox distributor.

WIRING DIAGRAMS

Wiring diagrams are provided here for reference purposes only. This information is also provided on schematics attached directly to the appliance on a pullout panel located within the control compartment.

Electronic Wiring Diagram (Honeywell)

1. If any of the original wire as supplied must be replaced, it must be replaced with Type AWM 105°C - 18 GA. wire.
2. 120V, 60Hz - Less than 3 amps.



CAUTION: LABEL ALL WIRES PRIOR TO DISCONNECTION WHEN SERVICING CONTROLS. WIRING ERRORS CAN CAUSE IMPROPER AND DANGEROUS APPLIANCE OPERATION.

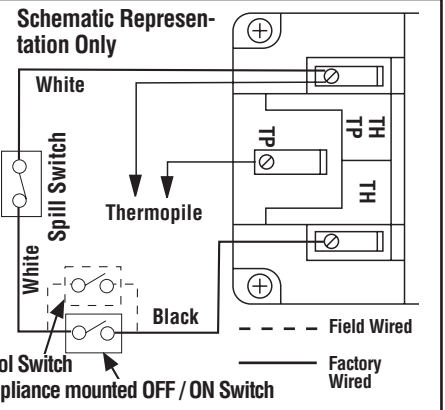
Millivolt Wiring Diagram

If any of the original wire as supplied must be replaced, it must be replaced with Type AWM105 C - 18 gage wire.

* Optional Control Switches - OFF/ON wall switch or remote control receiver.

Note: Turn the appliance-mounted OFF/ON burner control switch to the OFF position if an optional control switch is installed.

Figure 20



PRODUCT REFERENCE INFORMATION

We recommend that you record the following important information about your fireplace. Please contact your Lennox dealer for any questions or concerns. For the number of your nearest Lennox dealer, please call 800-731-8101

Your Fireplace's Model Number _____

Your Fireplace's Serial Number _____

The Date On Which Your Fireplace Was Installed _____

The Type of Gas Your Fireplace Uses _____

Your Dealer's Name _____

WARRANTY

Your gas appliance is covered by a limited twenty year warranty. You will find a copy of the warranty accompanying this manual. Please read the warranty to be familiar with its coverage.

Retain this manual. File it with your other documents for future reference.

REPLACEMENT PARTS

A complete parts list is found at the end of this manual. Use only parts supplied from the manufacturer. Normally, all parts should be ordered through your Lennox distributor or dealer. Parts will be shipped at prevailing prices at time of order.

When ordering repair parts, always give the following information:

1. The model number of the appliance.
2. The serial number of the appliance.
3. The part number.
4. The description of the part.
5. The quantity required.
6. The installation date of the appliance.

If you encounter any problems or have any questions concerning the installation or application of this system, please contact your distributor, or Lennox directly:

LENNOX HEARTH PRODUCTS

1110 West Taft Avenue
 Orange, CA 92865

ACCESSORY COMPONENTS

| Product Reference Information | | | |
|-------------------------------|------------|--------------|---------------------------------|
| Cat. No. | Model | Ship. Weight | Ship. Volume |
| H3201 | MPD35ST-NM | 220 lbs | 46W x 26D x 43H (30 cu. ft.) |
| H3202 | MPD35ST-PM | 220 lbs | 46W x 26D x 43H (30 cu. ft.) |
| H3203 | MPD35ST-NE | 220 lbs | 46W x 26D x 43H (30 cu. ft.) |



| Remote Control Kit, Standard | | |
|------------------------------|-----------|----------------------------------|
| Cat. No. | Model No. | Description |
| H0249 | RCL | Remote Control System (Standard) |

(ref. Form # 750,127M)

Standard Remote Control System

The Model RCL (Standard) Remote Control System, features a simplistic OFF/ON control function for the fireplace. This model includes a hand-held transmitter, a remote receiver with wall-mount cover plate and all hardware required to install the unit. The remote receiver can be wall or hearth mounted.

The transmitter has ON and OFF functions that are activated by pressing either button on the face of the transmitter. When a button on the transmitter is pressed, a signal light illuminates briefly to verify that a signal has been sent.

The Model RCL is designed to operate with all millivolt ignition systems, as well as electronic ignition systems. It may be installed with use for either natural or propane gas appliances. The RCL offers ease of installation and allows you to execute on-off commands to the fireplace effortlessly with one simple motion.

The Model RCL comes complete with detailed operating instructions.

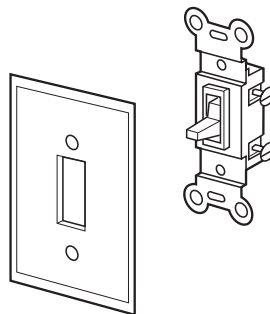


Bag of Glowing Embers Bag of Volcanic Stone

Replacement ember materials or volcanic stone are available for use with these appliances. Order kits as part of the periodic maintenance of the appliance.

| Decorative Firebox Accessories | | |
|--------------------------------|-----------|--|
| Cat. No. | Model No. | Description |
| 88L53 | FGE | Bag of Glowing Embers (1 oz. rockwool) |
| 80L42 | FDVS | Bag of Decorative Volcanic Stone |

(FDVS ref. Form #750,010M)

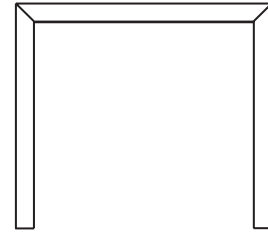


| White Wall Switch Kit | | |
|-----------------------|-----------|------------------------|
| Cat. No. | Model No. | Description |
| 85L87 | FWSK | OFF/ON Wall Switch Kit |

OFF/ON Wall Switch Kit

The OFF/ON wall switch kit may be used to control the operation of the fireplace burner. Install the OFF/ON wall switch in a convenient location near the fireplace.

NOTE: DIAGRAMS & ILLUSTRATIONS NOT TO SCALE.

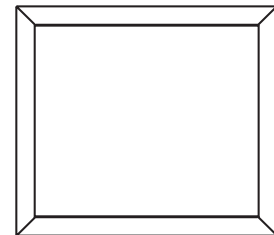


| 3 Piece Trim Kit | | |
|------------------|-----------|---|
| Cat. No. | Model No. | Description |
| 96K21 | TK35PB3 | 35" 3 Piece Finish Trim Kit, Polished Brass |

(ref. Form # 750,147M)

Polished Brass 3-Piece Trim Kit

This kit contains brass trim pieces used to finish the gaps between the wall board and the fireplace, providing the appliance a brass perimeter highlight. This kit contains the trim pieces and these instructions.



| 4 Piece Trim Kit | | |
|------------------|-----------|---|
| Cat. No. | Model No. | Description |
| 96K17 | TK35PB4 | 35" 4 Piece Finish Trim Kit, Polished Brass |

(ref. Form # ii-9299)



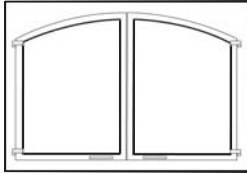
| Touch-Up Paint Kits | | |
|---------------------|-----------|---------------------------|
| Cat. No. | Model No. | Description |
| 90L74 | TPK-C | Touch-Up Paint (Charcoal) |
| 98K67 | TPK-T | Touch-Up Paint (Tan) |

(TPK-C ref. Form # 504,216M)

Touch-Up Paint Kit

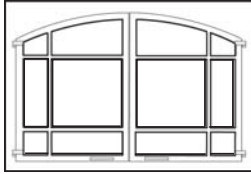
Repair of minor scratches and discoloration of the appliance charcoal painted surfaces may be accomplished with the touch-up paint kit.

ACCESSORY COMPONENTS

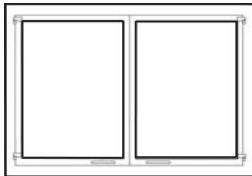


Arch Design

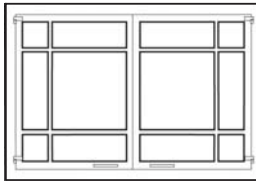
Arch Pane Design



Square Design



Square Pane Design



Style View Doors -

Style View Doors come in 4 beautiful styles. They are easy to install and will not require hardware to attach them to the standard glass door frame. The door includes heavy duty magnet door latches and functional twin-pane doors.

Arch Pane Design Kits

| Cat. No. | Model No. | Description |
|----------|-----------|---------------------------------|
| H0930 | APD35C | 35" Arch Pane Doors, Char. |
| H0931 | APD35TI | 35" Arch Pane Doors, Text. Iron |
| H0932 | APD35SP | 35" Arch Pane Doors, Satin Pew. |
| H0933 | APD35AB | 35" Arch Pane Doors, Ant. Brass |

Arch Design Kits

| Cat. No. | Model | Description |
|----------|--------|-------------------------------|
| H0858 | AD35C | 35" Arch Doors, Charcoal |
| H0859 | AD35TI | 35" Arch Doors, Textured Iron |
| H0860 | AD35SP | 35" Arch Doors, Satin Pewter |
| H0861 | AD35AB | 35" Arch Doors, Antique Brass |

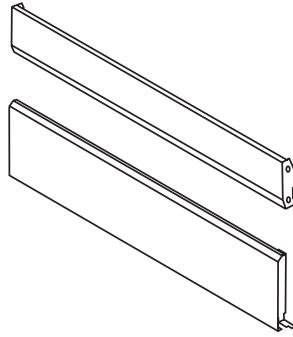
Square Design Kits

| Cat. No. | Model | Description |
|----------|--------|------------------------------|
| H0946 | SD35C | 35" Sq. Doors, Charcoal |
| H0947 | SD35TI | 35" Sq. Doors, Textured Iron |
| H0948 | SD35SP | 35" Sq. Doors, Satin Pewter |
| H0949 | SD35AB | 35" Sq. Doors, Antique Brass |

Square Pane Design Kits

| Cat. No. | Model No. | Description |
|----------|-----------|--------------------------------|
| H0962 | SPD35C | 35" Sq. Pane Doors, Char. |
| H0963 | SPD35TI | 35" Sq. Pane Doors, Text. Iron |
| H0964 | SPD35SP | 35" Sq. Pane Doors, Satin Pew. |
| H0965 | SPD35AB | 35" Sq. Pane Doors, Ant. Brass |

(ref. Form # 775,169M)

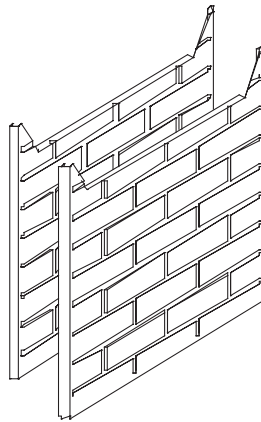


| Clean Face Charcoal Radiant Panel Kits | | |
|--|-----------|----------------------|
| Cat. No. | Model No. | Description |
| 88L36 | RAD35C-2 | Clean Face Panel Kit |

(ref. Form # 504,223M)

Clean Face Panel Kits

Clean faced panel kits are available to convert the standard louvered fireplaces to radiant models which are more suited for finishing around the firebox opening with non-combustible materials, such as tile.



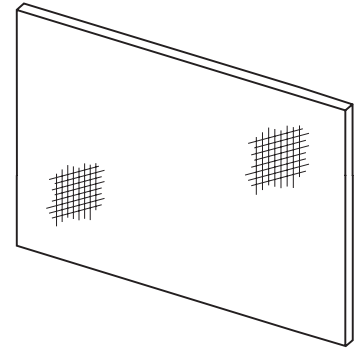
Brickaded Wall Liner Kits

| Cat. No. | Model No. | Description |
|----------|-----------|--------------------------|
| H3207 | MBLK-35ST | Interior Brick Liner Kit |

(ref. Form # 750,160M)

Brickaded Panel Liner Kit

The brickaded liner kits include ceramic panels as shown here. The panels have brick-like features in relief.



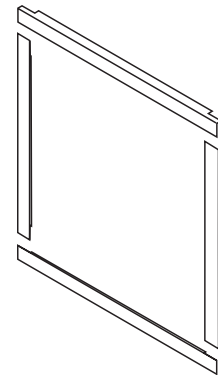
35" Screen Heat Guard Kit

| Cat. No. | Model No. | Description |
|----------|-----------|---------------------------|
| 26M48 | HG35M | 35" Screen Heat Guard Kit |

(ref. Form # 750,101M)

Screen Heat Guard Kit

This easy to install optional screen heat guard installs over the standard glass enclosure panel to provide protection from the hot glass surface. These screen heat guard panels **cannot** be used in conjunction with the arch door kits or door frame kits. Order 2 if a set is desired (for front face and rear face glass surfaces).



4 Piece Door Trim Kits

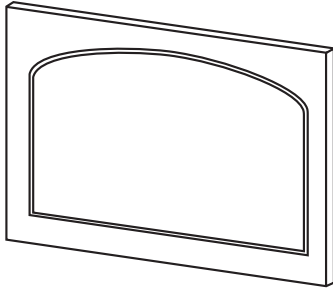
| Cat. No. | Model No. | Description |
|----------|-----------|------------------------------|
| 26M82 | 4DFK35PB | Door Trim, Polished Brass |
| 26M85 | 4DFK35BS | Door Trim, Brushed Stainless |

(ref. Form # 750,098M)

Door Frame Kits

A decorative door frame kit is available for use with these appliances. It is designed to attach directly to the front face of the appliance at the four edges of the glass enclosure panel resulting in the appearance of a picture frame.

ACCESSORY COMPONENTS

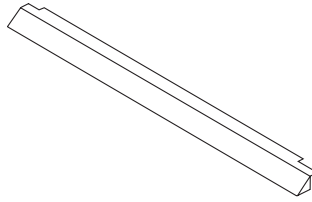


| * 35" Arch Door Kits | | |
|----------------------|-----------|------------------------------|
| Cat. No. | Model No. | Description |
| 26M43 | ADK35CMPB | Arch Door, Polished Brass |
| 26M44 | ADK35CMBS | Arch Door, Brushed Stainless |

(ref. Form # 750,021M)

Arch Door Kits

Two types of arch door kits are available for the Multi-Open Series. Both types of kits are easy to install and do not require hardware to attach them to the standard door frame. These kits can be retrofitted to previously installed Multi-Open Series appliances. The decorative arch kits can not be used in conjunction with the screen panel kit.



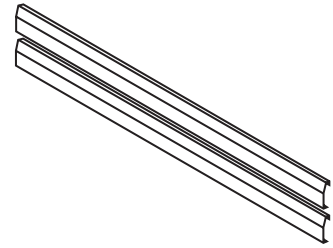
| * 35" Eyebrow Hood Kits | | |
|-------------------------|-----------|-----------------------------|
| Cat. No. | Model No. | Description |
| 96K67 | EB35PB | Hood Kit, Polished Brass |
| 88L49 | EB35BS | Hood Kit, Brushed Stainless |

* These hood kits replace the standard hood that comes with these fireplaces.

(ref. Form #504,142M)

Polished Brass and Brushed Stainless Hood Kits

Attractive hoods are available in two styles to be used on the Multi-Open Series appliances. These hoods are designed to be fitted to the glass viewing sides of the appliance. In addition to providing an aesthetically pleasing appearance to your appliance installation, the hood reduces heat effects to decorative mantles and finish materials located above the fireplace opening. The hood kit replaces the standard hood that comes with these appliances and snaps into place. These kits can be retrofitted to previously installed appliances.

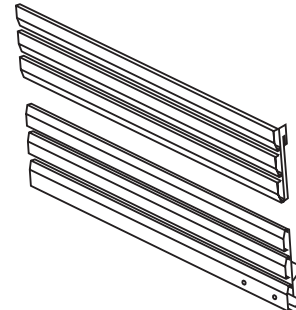


| 2-Piece Louver Kits | | |
|---------------------|-----------|-------------------------------------|
| Cat. No. | Model No. | Description |
| 96L05 | 2LVR35PB | 2 Pc. Louver Kit, Polished Brass |
| 96L09 | 2LVR35BS | 2 Pc. Louver Kit, Brushed Stainless |

(ref. Form # 504,224M)

2-Piece Polished Brass and Brushed Stainless Louvers Kits

These louvers are designed to replace either the middle charcoal louver of each set or the charcoal louver in each set closest to the glass door. These kits include two narrow louvers. They provide a touch of elegance to these appliances. These kits can be retrofitted to previously installed appliances.

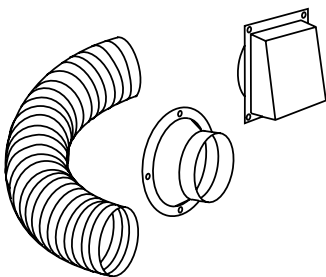


| 35" Assembled Louver Kits | | |
|---------------------------|-----------|-------------------------------|
| Cat. No. | Model No. | Description |
| 88L28 | LVR35PB-2 | Louver Kit, Polished Brass |
| 88L32 | LVR35BS-2 | Louver Kit, Brushed Stainless |

(ref. Form # 750,119M)

Polished Brass and Brushed Stainless Louvers Kits

Decorative louvers are available for use with all Multi-Open Series appliances. These louvers are designed to replace the standard radiant panels that are provided with the appliance. These kits include a top 3-piece assembly and a bottom 3-piece assembly. They provide a touch of elegance to any Multi-Open Series appliance. These kits can be retrofitted to previously installed appliances.



| Outside Combustion Air Kits | | |
|-----------------------------|-----------|-----------------------------------|
| Cat. No. | Model No. | Description |
| 81L87 | FOAK-4 | Combustion Air Kit (with duct) |
| 81L88 | FOAK-4LD | Combustion Air Kit (without duct) |

(ref. Form # 750,008M)

Outside Air Kits Models FOAK-4 and FOAK-4LD

Outside Air kits are available with duct (FOAK-4) and without duct (FOAK-4LD) for use if outside combustion air is required or desired. If model FOAK-4LD is used it must be used in conjunction with locally purchased, non-combustible Class 1 or Class 0 flexible duct.

NOTE: DIAGRAMS & ILLUSTRATIONS NOT TO SCALE.

LIGHTING INSTRUCTIONS – MILLIVOLT GAS VALVE

FOR YOUR SAFETY READ BEFORE LIGHTING

WARNING: IF YOU DO NOT FOLLOW THESE INSTRUCTIONS EXACTLY, A FIRE OR EXPLOSION MAY RESULT CAUSING PROPERTY DAMAGE, PERSONAL INJURY OR LOSS OF LIFE.

- A.** This appliance has a pilot which must be lit with a piezo igniter. When lighting the pilot, follow these instructions exactly.
- B. BEFORE OPERATING** smell all around the appliance area for gas. Ensure to smell next to the floor because some gas is heavier than air and will settle on the floor.

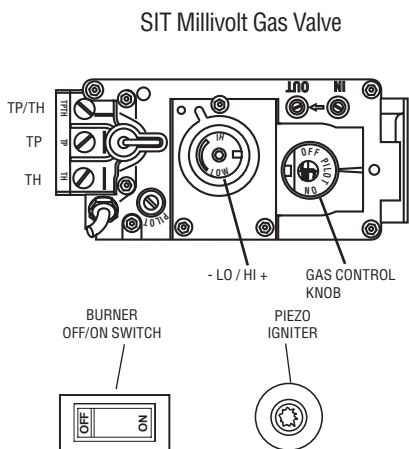
WHAT TO DO IF YOU SMELL GAS

- Extinguish any open flame.
- Open windows.
- Do not light any appliance.
- Do not touch any electrical switches.

- Do not use any phone in your building.
 - Immediately call your gas supplier from a neighbor's phone.
 - If your gas supplier cannot be reached, call the fire department.
- C.** Use only your hand to push in or turn the gas control knob. Never use tools. If the knob will not push in or turn by hand, do not try to repair it, call a qualified service technician. Force or attempted repair may result in a fire or an explosion.
- D.** Do not use this appliance if any part has been under water. Immediately call a qualified service technician to inspect the appliance and to replace any part of the control system and any gas control which has been under water.

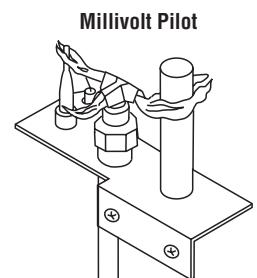
LIGHTING INSTRUCTIONS

1. **STOP!** Read the safety information above on this page.
2. Access the lower control compartment.
3. Turn OFF/ON switch to "OFF" (and remote wall switch, if applicable).
4. Verify main line shut-off valve is open.
5. Push in gas control knob slightly and turn clockwise to "OFF."
6. Wait five (5) minutes to clear out any gas. If you then smell gas, STOP! Follow "B" in the safety information above on this page. If you do not smell gas, go to the next step.
7. Push in gas control knob slightly and turn counterclockwise to "PILOT."
8. Push in control knob all the way and hold in. Immediately light the pilot by triggering the spark igniter (pushing the button) until pilot lights. Continue to hold the control knob in for about 1 1/2 minutes after the pilot is lit. Release knob and it will pop back up. Pilot should remain lit. If it goes out, repeat steps 5 through 8.



- If knob does not pop up when released, stop and immediately call your service technician or gas supplier.
- If pilot will not stay lit after several tries, turn the control knob to "OFF" and call your service technician or gas supplier.

9. Turn gas control knob counterclockwise to "ON."
10. Close lower control compartment.



Note: Knob cannot be turned from "PILOT" to "OFF" unless the knob is pushed in slightly. Do not force.

TO TURN OFF GAS TO APPLIANCE

1. Turn remote wall switch "OFF." The pilot will remain lit for normal service.
2. For complete shutdown, turn remote wall switch to "OFF."
3. Access the lower control compartment.
4. Depress gas control knob slightly and turn clockwise to "OFF." Do not force.
5. Close lower control compartment.

LIGHTING INSTRUCTIONS — ELECTRONIC

FOR YOUR SAFETY READ BEFORE LIGHTING

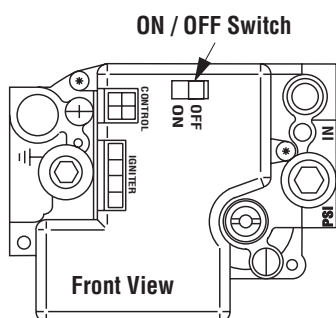
WARNING: IF YOU DO NOT FOLLOW THESE INSTRUCTIONS EXACTLY, A FIRE OR EXPLOSION MAY RESULT CAUSING PROPERTY DAMAGE, PERSONAL INJURY OR LOSS OF LIFE.

- A.** When lighting the appliance, follow these instructions exactly.
- B.** BEFORE OPERATING smell all around the appliance area for gas. Be sure to smell next to the floor because some gas is heavier than air and will settle on the floor.
- WHAT TO DO IF YOU SMELL GAS**
- Extinguish any open flame.
 - Open windows.
 - Do not light any appliance.
 - Do not touch any electrical switches.
 - Do not use any phone in your building.
- Immediately call your gas supplier from a neighbor's phone.
 - If your gas supplier cannot be reached, call the fire department.
- C.** Use only your hand to turn the gas control lever. Never use tools. If the lever will not turn by hand, do not try to repair it, call a qualified service technician. Force or attempted repair may result in a fire or an explosion.
- D.** Do not use this appliance if any part has been under water. Immediately call a qualified service technician to inspect the appliance and to replace any part of the control system and any gas control which has been under water.

LIGHTING INSTRUCTIONS

1. **STOP!** Read the safety information above on this page.
2. Turn remote wall switch to "OFF."
3. Open lower control compartment door.
4. Verify main line shut-off valve is open.
5. Turn the OFF/ON switch to "OFF". Do not force.
6. Wait five (5) minutes to clear out any gas. If you then smell gas, STOP! Follow "B" in the safety information above on this page. If you do not smell gas, go to the next step.
7. Turn the OFF/ON switch to "ON". Do not force.
8. Turn "ON" all electrical power to appliance (remote wall or appliance switch).
9. Close lower control compartment door.

Honeywell Electronic Gas Control Valve



TO SHUT OFF

1. Turn off all electrical power to the appliance (remote wall switch).

TO TURN OFF GAS TO APPLIANCE

1. For complete shut-down, turn remote wall switch to "OFF."
2. Open lower control compartment door.
3. Turn the OFF/ON switch to "OFF". Do not force.
4. Close the main line shut-off valve.
5. Close lower control compartment door.

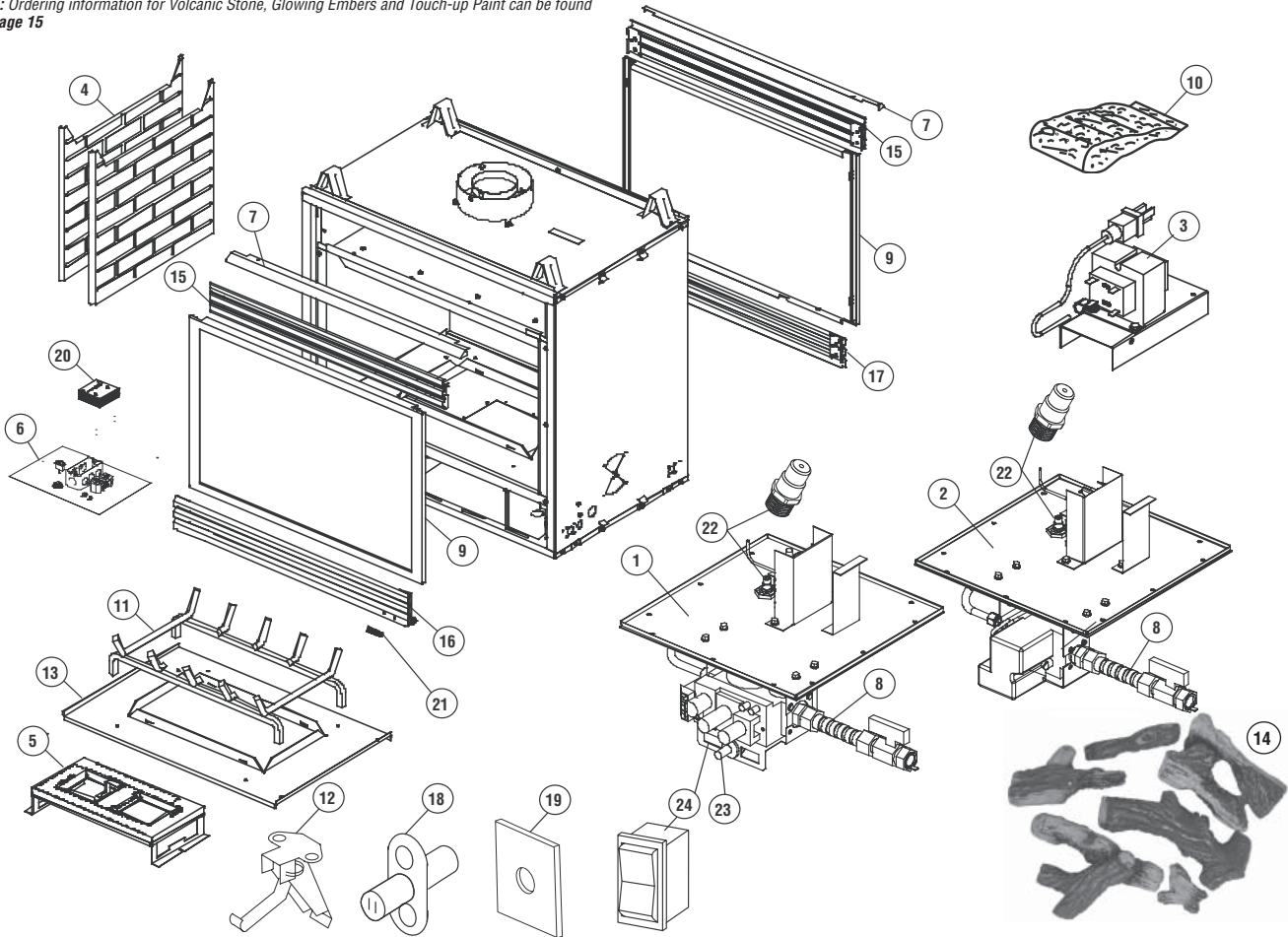
REPLACEMENT PARTS - MPB35ST

| Item | Part/Cat. | Qty | Description | Where Used |
|----------------------------------|-----------|-----|---------------------------------|-------------------------|
| SIT Millivolt Only | | | | |
| 1 | H3357 | 1 | Gas Train Assembly, NG, MV | MPB35ST-NM |
| 1 | H3355 | 1 | Gas Train Assembly, LP, MV | MPB35ST-PM |
| Honeywell Electronic Only | | | | |
| 2 | H3356 | 1 | Gas Train Assembly, NG, Electr. | MPB35ST-NE |
| 3 | LB-97493 | 1 | Transformer | MPB35ST-NE & MPB35ST-PE |
| Misc. Replacement Parts | | | | |
| 4 | H3351 | 2 | Brickaded Side Panels | All |
| 5 | H3352 | 1 | Burner, Pan | All |
| 6 | H3353 | 1 | *Electrical kit | All |
| 7 | LB-91941B | 2 | Eyebrow Panel | All |
| 8 | 93L32 | 1 | Flex Line Gas Connector, FFGC | All |
| 9 | LB-92398B | 2 | Glass Enclosure Assembly | All |
| 10 | 88L53 | | Glowing Embers (1 oz.), FGE | All |
| 11 | H3358 | 1 | Grate Assembly | All |
| 12 | 69L2101 | 4 | Latch, Glass Enclosure Panel | All |
| 13 | H3354 | 1 | Firebox Sub-floor | All |

| Item | Part/Cat. | Qty | Description | Where Used |
|--------------------------------|-----------|-----|--|-------------------------|
| Misc. Replacement Parts | | | | |
| 14 | H3210 | 1 | Log Set | All |
| 15 | LB-92449B | 2 | Louver Assembly, Upper Charcoal | All |
| 16 | LB-92652B | 1 | Louver Assembly, Lower, Charcoal (valve access side) | All |
| 17 | H3359 | 1 | Louver Assembly, Lower, Char. | All |
| 18 | 69L3101 | 2 | Magnet, Latch, Spring-Loaded | All |
| 19 | 94326 | 2 | Magnet | All |
| 20 | LB-95668 | 8 | Nailing Flange | All |
| 21 | 12L15 | 2 | Nameplate, Lennox | All |
| 22 | 24M1001 | 1 | Orifice, Burner, NG, #37 (.104") | MPB35ST-NM & MPB35ST-NE |
| 22 | 42M7901 | 1 | Orifice, Burner, LP, 1.55mm (.061") | MPB35ST-PM & MPB35ST-PE |
| 23 | 111061 | 1 | Piezo Igniter | MPB35ST-NM & MPB35ST-PM |
| 24 | 27K30 | 1 | Switch, OFF/ON, Rocker | All |
| 10 | 42363 | 1 | Vermiculite, Bag (2 liters) | All |

* Electrical Outlet Kit consists of a junction box, 2 screws, an receptacle outlet, an OFF/ON rocker switch and a snap bushing. Note: All the components in the electrical kit will Not be used by every model.

Note: Ordering information for Volcanic Stone, Glowing Embers and Touch-up Paint can be found on Page 15



Lennox Hearth Products reserves the right to make changes at any time, without notice, in design, materials, specifications, prices and also to discontinue colors, styles and products. Consult your local distributor for fireplace code information.

LENNOXTM

HEARTH PRODUCTS

1110 West Taft Avenue • Orange, CA 92865

Printed in U.S.A. © 2005 by LENNOX HEARTH PRODUCTS

20 P/N 875,024M REV. NC 04/2005

Free Manuals Download Website

<http://myh66.com>

<http://usermanuals.us>

<http://www.somanuals.com>

<http://www.4manuals.cc>

<http://www.manual-lib.com>

<http://www.404manual.com>

<http://www.luxmanual.com>

<http://aubethermostatmanual.com>

Golf course search by state

<http://golfingnear.com>

Email search by domain

<http://emailbydomain.com>

Auto manuals search

<http://auto.somanuals.com>

TV manuals search

<http://tv.somanuals.com>