



LENNOX' ELITE® SERIES

Home Comfort Systems

G51

Single-stage, high-efficiency furnace



HOME COMFORT SYSTEMS
Innovation never felt so good.™



Innovation never felt so good.™

Elite® Series G51 Furnace

High efficiency can save you hundreds of dollars each year

SureLight® Control delivers starting reliability

Low-speed, continuous fan setting provides a consistent flow of air

ENERGY STAR® qualified

Maximum comfort is yours with the Elite® Series G51 gas furnace. The G51 surrounds you in warmth, without undue noise. Its sound-absorbing, insulated cabinet delivers smooth, quiet operation.

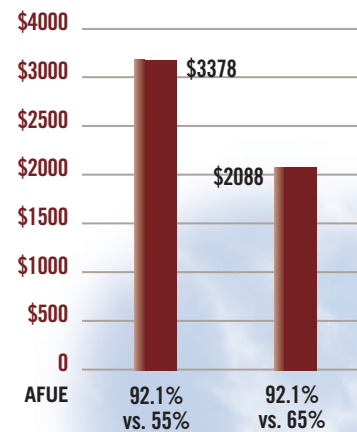
ENGINEERED FOR COMFORT AND EFFICIENCY

The G51 has a low-speed, continuous fan setting that provides maximum comfort with remarkable efficiency, which means you'll stay warm for less.

Efficient Can give you significant energy savings year after year

The G51 gas furnace not only keeps you warm—it also reduces your energy costs. With an efficiency rating of 92.1% AFUE (Annual Fuel Utilization Efficiency), the G51 offers more comfort for your energy dollars.

3-YEAR HEATING SAVINGS



92.1% efficient G51 gas furnace vs. 55% and 65% equivalent AFUE units

This chart depicts potential energy savings you can expect from the G51 gas furnace versus older furnaces with lower efficiency ratings. Criteria used in this example are 2,000 full-load heating hours, with a 60,000-Btuh heating design load and \$1.281 ccf for gas. Your actual savings will vary depending on the weather, local fuel rates and your lifestyle.

Source: U.S. Department of Energy national average energy rates.

EFFICIENCY RATING

92.1% AFUE (Annual Fuel Utilization Efficiency).

WARRANTY*

Limited lifetime warranty on the heat exchanger.

5-year limited warranty on all remaining covered components.

*Applies to residential applications only. See actual warranty certificate for details.

Reliable Designed and tested to ensure optimal performance

Every component of the G51 is rigorously tested in our dedicated research lab. As a result, you can count on your new furnace to deliver the highest possible level of reliability and performance.

INNOVATIVE FEATURES FOR ENHANCED COMFORT AND EFFICIENCY

Insulated Blower Compartment –

Reduces sound for quieter operation.

Duralok Plus® Heat Exchanger –

Made of high-quality, patented ArmorTuf™ aluminized steel. Life-tested to 2-1/2 times agency requirements (ANSI standard Z21.47) for long life and durability.

SureLight® Igniter –

Made of silicon nitride for reliable, long-life performance

Robust Stainless Steel

Secondary Heat Exchanger –

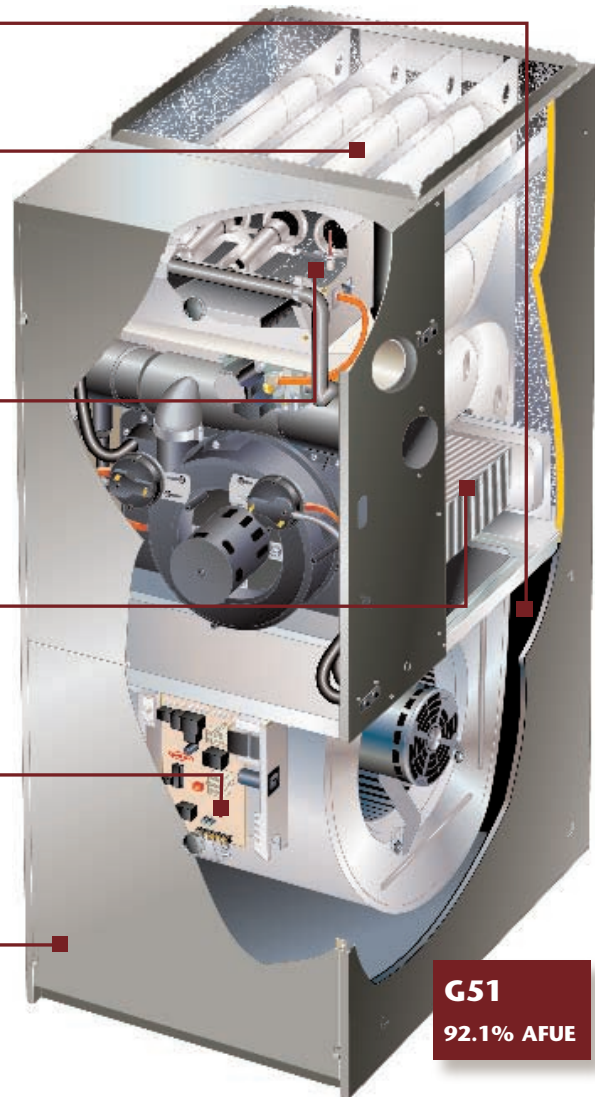
Time-tested design allows the furnace to achieve high efficiency levels by capturing additional heat.

SureLight Control Board –

Controls furnace operation to ensure reliable, efficient performance.

Durable Steel Cabinet –

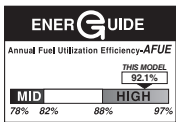
Built to last and coated with high-quality, textured-paint finish.



G51
92.1% AFUE

Elite® Series G51 Specifications							
G51		24B-045	36B-045	36B-070	36C-090	48C-090	60C-090
AFUE		92.1%	92.1%	92.1%	92.1%	92.1%	92.1%
Dimensions	HxWxD (in.)	40 x 17-1/2 x 28-1/2	40 x 17-1/2 x 28-1/2	40 x 17-1/2 x 28-1/2	40 x 17-1/2 x 28-1/2	40 x 21 x 28-1/2	40 x 21 x 28-1/2
	HxWxD (mm)	1016 x 446 x 724	1016 x 446 x 724	1016 x 446 x 724	1016 x 446 x 724	1016 x 533 x 724	1016 x 533 x 724
G51		48C-110	60C-110	60D-135			
AFUE		92.1%	92.1%	92.1%			
Dimensions	HxWxD (in.)	40 x 21 x 28-1/2	40 x 21 x 28-1/2	40 x 24-1/2 x 28-1/2			
	HxWxD (mm)	1016 x 533 x 724	1016 x 533 x 724	1016 x 622 x 724			

Note: Due to Lennox' ongoing commitment to quality, all specifications, ratings and dimensions are subject to change without notice.

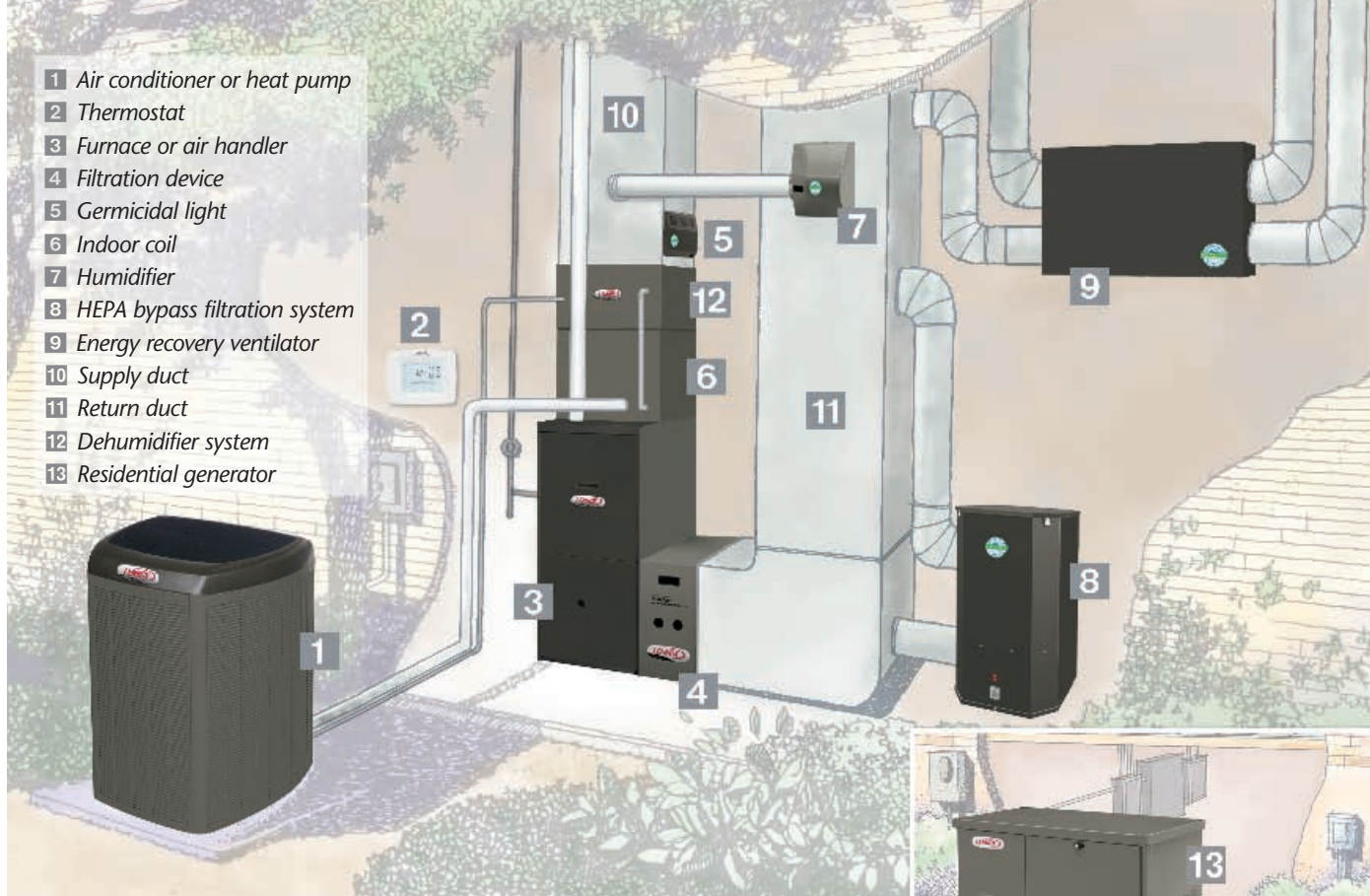


Many Lennox® home comfort systems meet ENERGY STAR® requirements when used with appropriate components. Ask your dealer for details.



Lennox is proud of the fact that these products have earned the Good Housekeeping Seal.





- 1 Air conditioner or heat pump
- 2 Thermostat
- 3 Furnace or air handler
- 4 Filtration device
- 5 Germicidal light
- 6 Indoor coil
- 7 Humidifier
- 8 HEPA bypass filtration system
- 9 Energy recovery ventilator
- 10 Supply duct
- 11 Return duct
- 12 Dehumidifier system
- 13 Residential generator

CUSTOMIZE YOUR COMFORT

Lennox® heating, cooling and indoor air quality products are designed to provide efficient, economical comfort—not only as individual units, but also together as an integrated system. This combined network of products delivers on every comfort count, from consistent temperatures and balanced humidity to improved indoor air quality. Lennox also offers a line of residential generators, which provide safe, reliable standby power in the event of outages.

DEALERS YOU CAN COUNT ON

Choosing the right dealer for your home's heating, cooling and air quality needs is every bit as important as choosing the right brand. We think you'll agree our independent dealers are a big reason you can count on quality customer service whenever you call. Your Lennox dealer's dedication to quality shows in his knowledge, training and expertise in designing the right system for your home, installing it properly and keeping it running perfectly for many years to come.



LENNOX

HOME COMFORT SYSTEMS
Innovation never felt so good.™

© Lennox Industries Inc. 2007

Visit us at www.lennox.com, or contact us at 1-800-9-LENNOX.

Free Manuals Download Website

<http://myh66.com>

<http://usermanuals.us>

<http://www.somanuals.com>

<http://www.4manuals.cc>

<http://www.manual-lib.com>

<http://www.404manual.com>

<http://www.luxmanual.com>

<http://aubethermostatmanual.com>

Golf course search by state

<http://golfingnear.com>

Email search by domain

<http://emailbydomain.com>

Auto manuals search

<http://auto.somanuals.com>

TV manuals search

<http://tv.somanuals.com>