



DAVE LENNOX
signature
COLLECTION

Home Comfort Systems



XP19

The most quiet and efficient heat pump you can buy*

Optimized for use with the exclusive Humiditrol® whole-home dehumidification system—indoor air quality you can feel



LENNOX

HOME COMFORT SYSTEMS

Innovation never felt so good.™

Dave Lennox Signature® Collection XP19 Heat Pump

Innovation never felt so good.™

Patented SilentComfort™ technology for quiet cooling and heating

Two-stage operation for optimal performance and efficiency

Outstanding efficiency can save you hundreds of dollars each year

Ozone-responsible R410A refrigerant meets the EPA's (Environmental Protection Agency) most stringent environmental guidelines

Optimized for use with the exclusive Humiditrol® whole-home dehumidification system††

Lennox™ System Operations Monitor reviews system performance for additional peace of mind and faster, easier service

SmartHinge™ louvered access panels for improved coil protection and fast, efficient servicing

ENERGY STAR® qualified

EFFICIENCY RATING

Up to **18.60 SEER** (Seasonal Energy Efficiency Ratio) and **9.30 HSPF** (Heating Seasonal Performance Factor).

WARRANTY**

10-year limited warranty on the compressor and all remaining covered components.

Want high efficiency without the cost of high utility bills? The XP19 heat pump more than delivers. Now offering an even greater level of comfort and efficiency, the XP19 takes comfort technology to new heights, so your utility bills reach new lows.

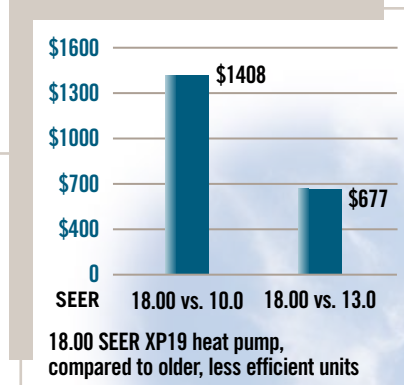
THE MOST QUIET AND EFFICIENT HEAT PUMP YOU CAN BUY.*

Enhanced with innovative new features, the XP19 provides ultrahigh-efficiency cooling and heating with two stages of operation while allowing increased humidity control. It runs at low stage 80% of the time to reduce energy costs and sound levels. Two-stage operation and exclusive SilentComfort™ technology provide optimal performance for efficient, quiet heating and cooling.

Efficient Can save **hundreds of dollars each year on utility bills**

With industry-leading efficiencies of up to 18.60 SEER and 9.30 HSPF, the XP19 is the most efficient heat pump on the market today.*** Nearly twice as efficient as a typical† heat pump, the XP19 can lower your utility bills.

5-YEAR COOLING SAVINGS



This chart compares the 5-year savings you can expect from an XP19 heat pump vs. units with lower efficiency ratings. The regions used to calculate household fuel and utility costs reflect a cross-section of cities in the U.S. using 2006 Department of Energy national average energy rates. In addition to geography, cooling costs are based on 3-ton capacity specifications, with 1,600 cooling hours per year. Your actual costs will vary depending on the weather, local fuel rates, systems settings and your personal lifestyle.

††Must be accompanied by either a variable speed air handler or furnace and the ComfortSense™ 7000 series Touchscreen Thermostat



Our dual-fuel system offers the perfect combination of

efficiency and comfort with two power sources—a gas furnace and an electric heat pump.

What makes this system so ideal is that it seamlessly alternates between the two sources, depending on the need. A heating and cooling system all in one, the heat pump provides the primary power (cooling in the summer; heating on mild winter days), cutting down on gas fuel consumption. On cold winter days, when the temperature drops to freezing, the gas furnace takes over to provide an extra boost of warmth.

*A combination of sound ratings established per ARI's test standard: 270 and efficiency ratings established per ARI's test standard: ANSI/ARI 210/240-2005.

**Applies to residential applications only. See actual warranty certificate for details.

***Air source heat pumps as rated for ARI's test standard: ANSI/ARI 210/240-94.

†10 SEER heat pump

Quiet So quiet, you won't believe your ears

The XP19 is engineered with exclusive SilentComfort™ technology for quiet performance. A patent-pending fan design, two-stage operation and an insulated compressor compartment also keep sound at a minimum.

Responsible Conserves energy, while preserving the environment

The two-stage scroll compressor uses the R410A refrigerant, which meets the EPA's standards for ozone and environmental safety.



Customizable Optimized for use with the new Humiditrol® whole-home dehumidification system

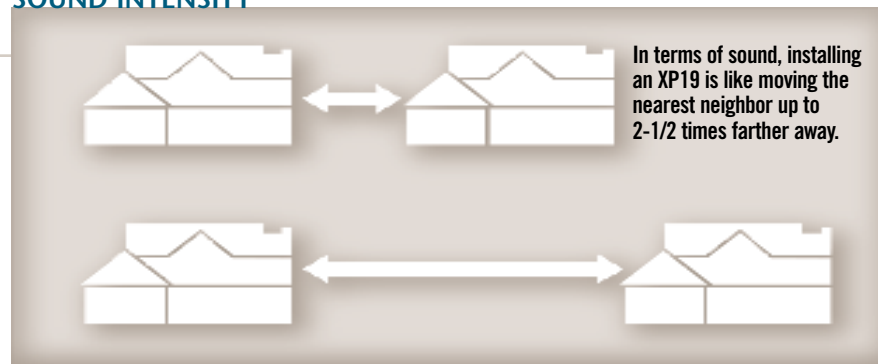
The XP19 gives you the flexibility to choose a Humiditrol whole-home dehumidification system for improved comfort and indoor air quality. The Humiditrol system uses patented technology to provide a level of humidity control never before available.

The Humiditrol dehumidification system also saves you money. Dehumidified air feels cooler, so you can raise your thermostat setting, lower energy costs and still enjoy great comfort. According to the U.S. Department of Energy, you can save 5-7% on your monthly cooling bill for every two degrees you raise your thermostat.

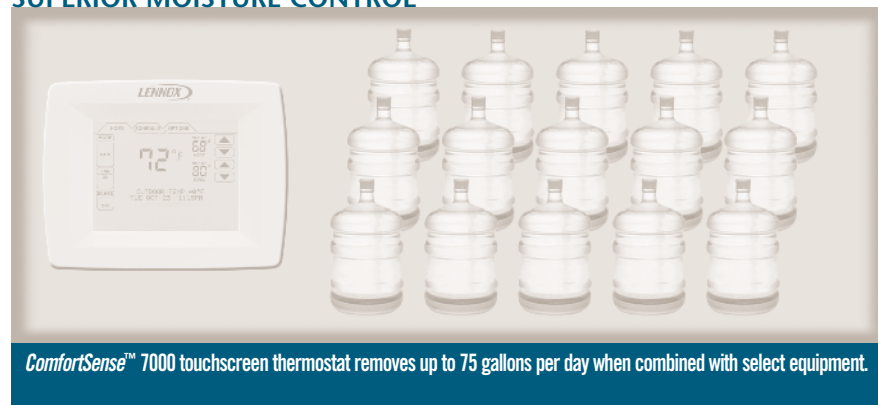


The Humiditrol dehumidification system also helps to reduce the opportunity for mold and mildew problems present in humid conditions. It customizes your cooling system, providing indoor air quality you can *feel*.

SOUND INTENSITY



SUPERIOR MOISTURE CONTROL



When combined with a *ComfortSense™ 7000* touchscreen thermostat†† and Humiditrol® whole-home dehumidification system, the XP19 heat pump can remove up to 75 gallons of moisture from the air per day without overcooling your home like competing systems.

††*ComfortSense™* is required for proper operation of the Humiditrol® system on split system air conditioners and heat pumps. *ComfortSense* will not control the packaged rooftop unit version of the Humiditrol system.

Reliable Features the exclusive Lennox™ System Operations Monitor

Similar to automobile diagnostics, this monitor continually measures system performance, helping technicians solve problems faster and more accurately. It can even send a “Check System” indicator to select thermostats, letting you know when service is needed. That’s the kind of worry-free performance Lennox’ promise of quality delivers.



Leading the way in comfort and energy efficiency



The only HVAC manufacturer ever selected as the U.S. ENERGY STAR® Manufacturing Partner of the Year. Lennox Industries Inc. has been recognized for its outstanding contributions to developing, manufacturing and promoting energy-efficient products; consumer education; and industry outreach efforts. Lennox has been selected for this award four out of the last six years.

CUSTOMIZED COMFORT

The industry’s first integrated home comfort solution

The XP19 Heat Pump works with other Lennox products in a system customized for the needs of your home and lifestyle, providing temperature and humidity control and the cleanest, healthiest air possible.

G71P Variable Capacity Gas Furnace is the most quiet and efficient heat pump you can buy.†††

PureAir™ Air Purification System cleans the air in your home better than any other single system you can buy.

ComfortSense™ 7000 Touchscreen Thermostat offers the flexibility and energy savings of a programmable thermostat while keeping your indoor air quality systems like Humiditrol whole-home dehumidification system and PureAir air purification system performing effectively and efficiently.

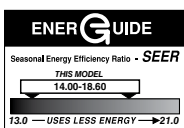
Harmony III™ Zoning System provides customized, room-to-room comfort.

Humiditrol® Whole-Home Dehumidification System offers enhanced moisture control and air quality.

Dave Lennox Signature® Collection XP19 Specifications

XP19	024	036	048	060
SEER	Up to 18.50	Up to 18.60	Up to 17.00	Up to 16.50
HSPF IV	Up to 9.30	Up to 9.30	Up to 9.10	Up to 8.75
Sound Rating – dB	69	73	73	73
Dimensions HxWxD (in.)	37 x 35-1/2 x 39-1/2	37 x 35-1/2 x 39-1/2	47 x 35-1/2 x 39-1/2	47 x 35-1/2 x 39-1/2
HxWxD (mm)	940 x 902 x 1003	940 x 902 x 1003	1194 x 902 x 1003	1194 x 902 x 1003

Note: Due to Lennox’ ongoing commitment to quality, all specifications, ratings and dimensions are subject to change without notice.



Proper sizing and installation of equipment is critical to achieve optimal performance. Split system air conditioners and heat pumps must be matched with appropriate coil components to meet ENERGY STAR® criteria. Ask your Lennox dealer for details, or visit www.energystar.gov.



Lennox is proud of the fact that these products have earned the Good Housekeeping Seal.



†††Based on sound pressure levels during steady-state, high-fire and low-fire operation of Lennox G71P-36B-070 and leading competitive units at mid-point temperature rise and minimum external static pressure when set up per Section 4.5.3 of ARI 260.

OUTSTANDING FEATURES FOR EXCEPTIONAL COMFORT AND EFFICIENCY

SilentComfort™ Fan Grille –

Uses patent-pending, vortex-suppression technology to reduce sound of airflow exiting unit, providing a quieter environment outside your home.

Factory-Installed Lennox™ System Operations Monitor –

Continually reviews system performance to allow fast troubleshooting, which assures you of worry-free performance.

SilentComfort™ Fan Blade with Variable Speed Direct-Drive Blower –

Provides ultra-quiet, energy-efficient operation with a patent-pending design.

Insulated Compressor Compartment –

Minimizes operating sounds with innovative materials and industry-leading, vibration-isolating mounts.

Two-Stage Scroll Compressor –

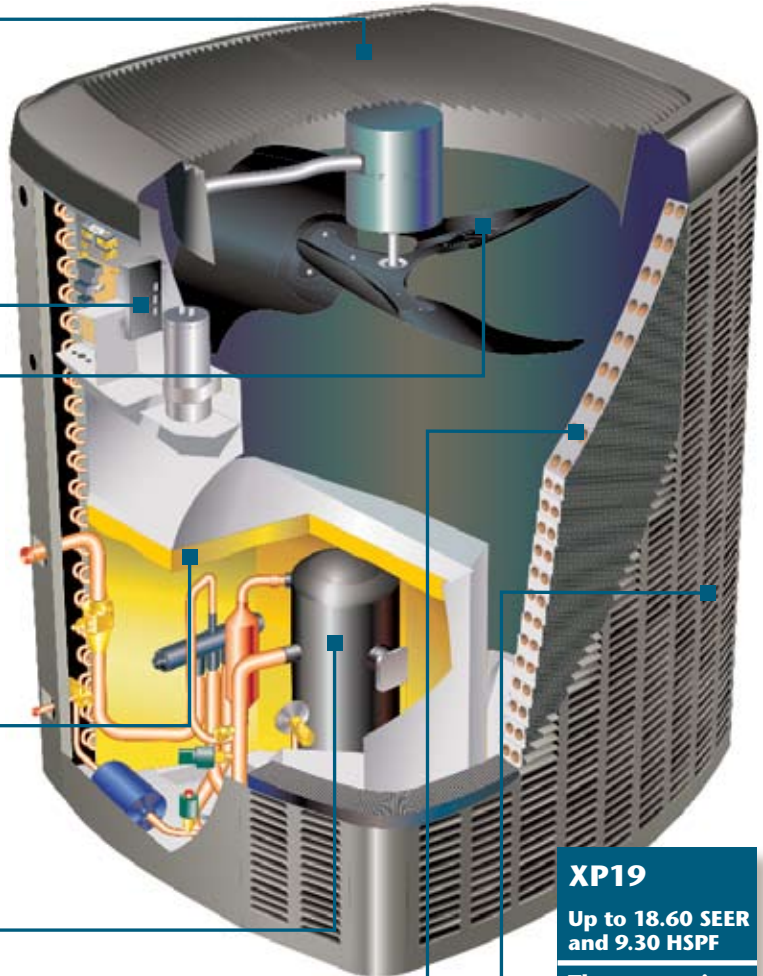
Operates at low stage most of the time for quieter, more efficient performance. Plus, it cools your home using the ozone-responsible R410A refrigerant.

High-Efficiency Outdoor Coil –

Provides exceptional heat transfer and low air resistance for high-efficiency operation that can lower your cooling bills.

SmartHinge™ Louvered Coil Protection –

Allows quick, easy access to interior components from all sides, so the unit can be serviced in minimal time, saving you money.



XP19

Up to 18.60 SEER
and 9.30 HSPF

The most quiet
and efficient
heat pump
you can buy.*



Quality you can trust.

Constructed of heavy-gauge, pre-painted steel and tested in the most extreme environments to ensure maximum durability.

*A combination of sound ratings established per ARI's test standard: 270 and efficiency ratings established per ARI's test standard: ANSI/ARI 210/240-2005.



- 1 Air conditioner or heat pump
- 2 Thermostat
- 3 Furnace or air handler
- 4 Filtration device
- 5 Germicidal light
- 6 Indoor coil
- 7 Humidifier
- 8 HEPA bypass filtration system
- 9 Energy recovery ventilator
- 10 Supply duct
- 11 Return duct
- 12 Dehumidifier system
- 13 Residential generator

CUSTOMIZE YOUR COMFORT

Lennox® heating, cooling and indoor air quality products are designed to provide efficient, economical comfort—not only as individual units, but also together as an integrated system. This combined network of products delivers on every comfort count, from consistent temperatures and balanced humidity to improved indoor air quality. Lennox also offers a line of residential generators, which provide safe, reliable standby power in the event of outages.

DEALERS YOU CAN COUNT ON

Choosing the right dealer for your home's heating, cooling and air quality needs is every bit as important as choosing the right brand. We think you'll agree our independent dealers are a big reason you can count on quality customer service whenever you call. Your Lennox dealer's dedication to quality shows in his knowledge, training and expertise in designing the right system for your home, installing it properly and keeping it running perfectly for many years to come.

LENNOX

HOME COMFORT SYSTEMS
Innovation never felt so good.™

© Lennox Industries Inc. 2008

Visit us at www.lennox.com, or contact us at 1-800-9-LENNOX.

Free Manuals Download Website

<http://myh66.com>

<http://usermanuals.us>

<http://www.somanuals.com>

<http://www.4manuals.cc>

<http://www.manual-lib.com>

<http://www.404manual.com>

<http://www.luxmanual.com>

<http://aubethermostatmanual.com>

Golf course search by state

<http://golfingnear.com>

Email search by domain

<http://emailbydomain.com>

Auto manuals search

<http://auto.somanuals.com>

TV manuals search

<http://tv.somanuals.com>