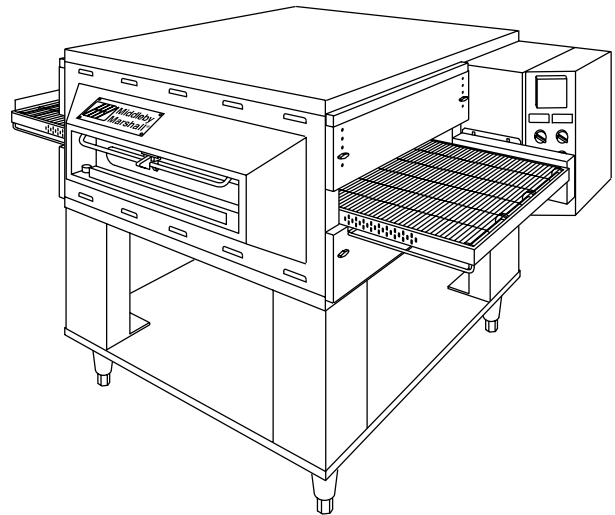
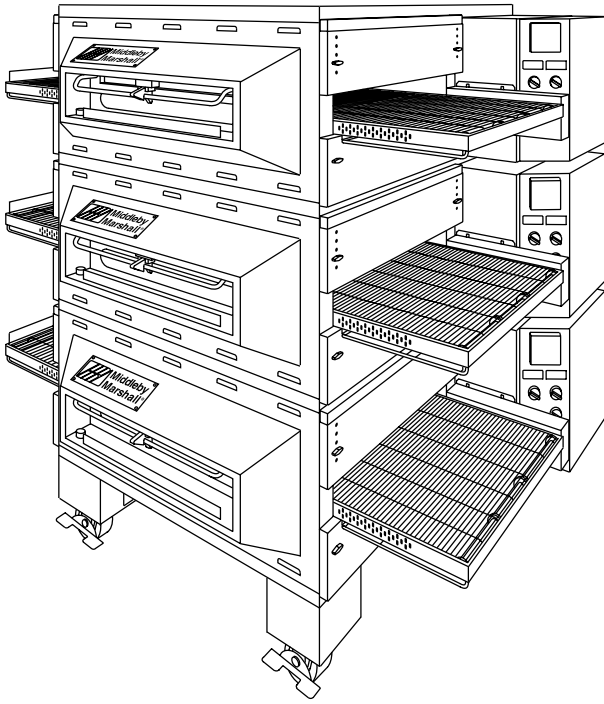


PS536GS
Gas
Domestic, Std. Export & CE
ENGLISH



**Middleby
Marshall®**

P/N 50236
Rev. B • V1 • 10/04
Price \$30.00



PS536GS Gas Ovens

Models:

- PS536GS Gas

Combinations:

- Single Oven
- Double Oven (Two-Stack)
- Triple Oven (Three-Stack)

OWNER'S OPERATING, INSTALLATION, AND PARTS MANUAL

for domestic, standard export and CE export ovens

© 2003 Middleby Marshall, Inc.



**Middleby
Marshall®** is a registered trademark of Middleby Marshall, Inc. All rights reserved.

Middleby Cooking Systems Group • 1400 Toastmaster Drive • Elgin, IL 60120 • (847)741-3300 • FAX (847)741-4406



NOTICE:

This Owner's Operating and Installation Manual should be given to the user. The operator of the oven should be familiar with the functions and operation of the oven.

This manual must be kept in a prominent, easily reachable location near the oven.

Ovens are shipped from the factory configured for use with natural gas. If permitted by local, national and international codes, at the time of installation the oven may be converted to propane gas operation. This conversion requires the use of a Gas Conversion Kit that is supplied with the oven. For CE-approved ovens, the conversion is described in the *Installation* section of this Manual. For domestic and standard export ovens, instructions are included in the Gas Conversion Kit.

It is suggested to obtain a service contract with a Middleby Marshall Authorized Service Agent.

WARNING

POST, IN A PROMINENT LOCATION, THE EMERGENCY TELEPHONE NUMBER OF YOUR LOCAL GAS SUPPLIER AND INSTRUCTIONS TO BE FOLLOWED IN THE EVENT YOU SMELL GAS.

Instructions to be followed in the event the user smells gas shall be obtained by consulting the local gas supplier. If the smell of gas is detected, immediately call the emergency phone number of your local Gas Company. They will have personnel and provisions available to correct the problem.

FOR YOUR SAFETY

Do not store or use gasoline or other flammable vapors or liquids in the vicinity of this or any other appliance.

WARNING:

Improper installation, adjustment, alteration, service or maintenance can cause property damage, injury or death. Read the installation, operating and maintenance instructions thoroughly before installing or servicing this equipment.

IMPORTANT

An electrical wiring diagram for the oven is located inside the machinery compartment.

IMPORTANT

It is the customer's responsibility to report any concealed or non-concealed damage to the freight company. Retain all shipping materials until it is certain that the equipment has not suffered concealed shipping damage.

NOTICE: CONTACT YOUR MIDDLEBY MARSHALL AUTHORIZED SERVICE AGENT TO PERFORM MAINTENANCE AND REPAIRS. AN AUTHORIZED SERVICE AGENCY DIRECTORY IS SUPPLIED WITH YOUR OVEN.

NOTICE: Using any parts other than genuine Middleby Marshall factory manufactured parts relieves the manufacturer of all warranty and liability.

NOTICE: Middleby Marshall (Manufacturer) reserves the right to change specifications at any time.

NOTICE: The equipment warranty is not valid unless the oven is installed, started and demonstrated under the supervision of a factory certified installer.

Retain This Manual For Future Reference

Middleby Cooking Systems Group • 1400 Toastmaster Drive • Elgin, IL 60120 • USA • (847)741-3300 • FAX (847)741-4406
24-Hour Service Hotline: 1-(800)-238-8444 • Middleby Customer Care Center: 1-(800)-630-6559

www.middleby.com

TABLE OF CONTENTS

	<i>page</i>		<i>page</i>
SECTION 1 - DESCRIPTION	4	B. Connection	13
I. OVEN USES	4	V. GAS SUPPLY	14
II. OVEN COMPONENTS	4	A. Gas Utility Rough-In Recommendations	14
A. Window	4	B. Gas Conversion	14
B. Conveyor End Stop	4	C. Connection	14
C. Eyebrows	4	SECTION 3 - OPERATION	16
D. End Plugs	4	I. LOCATION AND DESCRIPTION OF CONTROLS .	16
E. Control Panel	4	A. BLOWER (☼) Switch	16
F. Machinery Compartment and Control Compartment Doors	4	B. HEAT (☼) Switch	16
G. Serial Plate	4	C. CONVEYOR (☼) Switch	16
H. Conveyor Drive Motor	4	D. Conveyor Speed Controller	16
I. Crumb Pans	4	E. Digital Temperature Controller	16
J. Conveyor	4	F. Machinery and Control Compartment Safety Switches	16
K. Gas Burner	4	II. NORMAL OPERATION, STEP-BY-STEP	17
L. Blowers	4	A. Daily Startup Procedure	17
M. Air Fingers	4	B. Daily Shutdown Procedure	17
III. OVEN SPECIFICATIONS	4	III. QUICK REFERENCE: DIGITAL TEMPERATURE CONTROLLER	18
A. Dimensions	4	SECTION 4 - MAINTENANCE	19
B. General Specifications	4	I. MAINTENANCE - DAILY	19
C. Electrical Specifications for Gas Ovens	5	II. MAINTENANCE - MONTHLY	20
D. Gas Orifice and Pressure Specifications - Domestic and Standard Export Ovens	5	III. MAINTENANCE - EVERY 3 MONTHS	20
E. Gas Orifice and Pressure Specifications - CE Ovens	5	IV. MAINTENANCE - EVERY 6 MONTHS	22
SECTION 2 - INSTALLATION	6	SECTION 5 - PARTS LIST	23
I. INSTALLATION KIT	7	I. KEY SPARE PARTS KIT	23
II. VENTILATION SYSTEM	8	II. INSTALLATION KIT	25
A. Requirements	8	III. PANELS, END PLUGS AND WINDOW	27
B. Recommendations	8	IIIa. PANELS, END PLUGS WITHOUT WINDOW	27
C. Other Ventilation Concerns	8	IV. CONTROL COMPARTMENT	29
III. ASSEMBLY	9	V. MACHINERY COMPARTMENT AND GAS TRAIN	31
A. Top Panel and Base Pad Assembly	9	VI. REAR COMPARTMENT AND BLOWERS	33
B. Stacking	10	VII. SINGLE-BELT CONVEYORS	35
C. Restraint Cable Installation	10	VIII. SPLIT-BELT CONVEYORS	37
D. Conveyor Installation	11	SECTION 6 - ELECTRICAL WIRING DIAGRAMS	39
E. Final Assembly	12	I. WIRING DIAGRAM, PS536GS GAS OVEN (DOMESTIC & STD. EXPORT VERSION), 208/240V, 50/60 Hz, 1 Ph	39
IV. ELECTRICAL SUPPLY	13		
A. Additional Information - Gas Ovens	13		

SECTION 1 - DESCRIPTION

I. OVEN USES

PS536GS ovens can be used to bake and/or cook a wide variety of food products, such as pizza, pizza-type products, cookies, sandwiches and others.

II. OVEN COMPONENTS - see Figure 1-1.

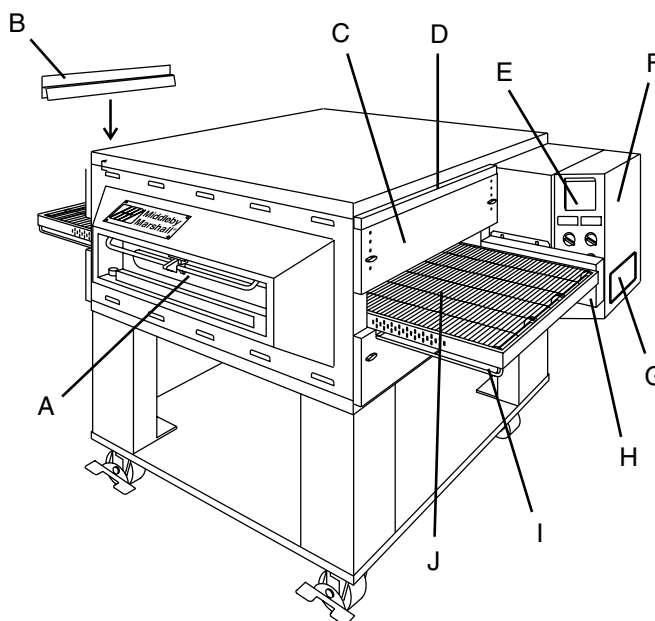
- A. Window:** Allows the user to see and access food products inside the baking chamber.
- B. Conveyor End Stop :** Prevents food products from falling off the end of the moving conveyor.
- C. Eyebrows:** Can be adjusted to various heights to prevent heat loss into the environment.
- D. End Plugs:** Allow access to the oven's interior.
- E. Control Panel:** Location of the operating controls for the oven. Refer to Section 3, Operation, for details.
- F. Machinery Compartment and Control Compartment Doors:** Allow access to the oven's interior components. One door is located at each end of the oven. No user-servicable parts are located inside the machinery compartment or control compartment.
- G. Serial Plate:** Provides specifications for the oven that affect installation and operation. Refer to Section 2, Installation, for details.
- H. Conveyor Drive Motor:** Moves the conveyor.
- I. Crumb Pans:** Catch crumbs and other material that drop through the conveyor belt. One crumb pan is located underneath each end of the conveyor.

- J. Conveyor:** Moves the food product through the oven.

Not Shown:

- K. Gas Burner:** Heats air, which is then projected to the air fingers by the blowers.
- L. Blowers:** Fans that project hot air from the gas burner to the air fingers.
- M. Air Fingers:** Project streams of hot air onto the food product.

Fig. 1-1 - Oven Components



III. OVEN SPECIFICATIONS

Table 1-1: Dimensions

Overall Height:	single oven with 17-1/2" (446mm) legs	43-1/2" (1105mm)
	double oven with standard 17-1/2" (446mm) legs	63" (1600mm)
	double oven with optional 20-1/2" (521mm) legs	66" (1676mm)
	double oven with optional 25-1/2" (648mm) legs	71" (1803mm)
	triple oven with 6" (152mm) legs	71" (1803mm)
Overall Depth:		46" (1168mm)
Overall Length:	with standard 60"/1524mm conveyor	61" (1549mm)
	with optional 56"/1422mm conveyor	57" (1447mm)
	with optional 76"/1930mm conveyor	77" (1956mm)
Baking Chamber Length		36" (914mm)
Conveyor Width:	Single Belt	20" (508mm)
	Split Belt	2 x 9-1/2" (241mm)
Conveyor Length		56" (1422mm) or 60" (1524mm) or 76" (1930mm)
Recommended Minimum Clearances:		
	Rear of oven to wall	3" (76mm)
	Control end of conveyor to wall	1" (25.4mm)
	Non-control end of oven to wall	1" (25.4mm)

Table 1-2: General specifications (per oven cavity)

Weight		400 lbs. (182kg)
Rated Heat Input:	Natural gas ovens	70,000 BTU (17,638 kcal, 20.51 kW/hr.)
	Propane ovens	70,000 BTU (17,638 kcal, 20.51 kW/hr.)
Maximum Operating Temperature		550°F (288°C)
Warmup Time		25 minutes

Table 1-3: Electrical specifications for gas ovens (per oven cavity)

Main Blower Voltage	Control Circuit Voltage	Phase	Freq.	Current Draw	Poles	Wires
208/240V	120V conv. speed control & drive motor; all others as per line (208/240V)	1 Ph	50/60 Hz	6A *	2 Pole	3 Wire (2 hot, 1 gnd)

* The current draw shown above is an average value for normal operation. The initial amperage draw on oven startup may exceed the listed value.

Table 1-4: Gas orifice and pressure specifications (per oven cavity) - Domestic and standard export ovens

Gas Type	Main Orifice I.D.	Bypass Orifice I.D.	Supply (Inlet) Pressure	Orifice (Manifold) Pressure
Natural	0.0935" (2.3749mm, #42 drill)	0.0810" (2.0574mm, #46 drill)	6-12" W.C. (14.9-29.9mbar) *	4.0" W.C. (9.93mbar)
Propane	0.081" (2.0574mm, #46 drill)	0.052" (1.3208mm, #55 drill)	11-14" W.C. (27.4-34.9mbar) *	10.5" W.C. (26.15mbar)

* The gas supply pressures and orifice sizes shown are for ovens installed in North America. The required gas supply pressures and orifice sizes of ovens installed in other locations are dependent on the local gas type and on all applicable local codes.

Table 1-5: Gas orifice and pressure specifications (per oven cavity) - CE ovens

Gas Type	Main Orifice dia.	Supply (Inlet) Pressure						Orifice (Manifold) Pressure	Rated Heat Input
		<i>IT,PT,ES,SE, UK,CH,IT,AT, DK,FI</i> I _{2H}	<i>NL</i> I _{2L}	<i>DE</i> I _{2E}	<i>BE,FR</i> I _{2E+}	<i>SE,CH,AT,DK, FI,DE,NL</i> I _{3B/P}	<i>BE,IE,IT,PT, ES,UK</i> I ₃₊		
G20	2.3749 mm	20 mbar	--	20 mbar	20 mbar	--	--	11.21 mbar	22.36 kW-hr.
G25	2.3749 mm	--	25 mbar	--	--	--	--	16.19 mbar	22.36 kW-hr.
G30	1.3970 mm	--	--	--	--	29 or 50 mbar	28-30, 37 or 50 mbar	26.2 mbar	22.59 kW-hr.

IMPORTANT

Additional electrical information is provided on the oven's serial plate, and on the wiring diagram inside the machinery compartment.

SECTION 2 - INSTALLATION

WARNING - For gas ovens, after any conversions, readjustments, or service work on the oven:

- Perform a gas leak test.
- Test for correct air supply.
- Test for proper combustion and gas supply.
- Check that the ventilation system is in operation.

WARNING

Keep the appliance area free and clear of combustibles.

WARNING

The oven must be installed on an even (level) non-flammable flooring and any adjacent walls must be non-flammable. Recommended minimum clearances are specified in the *Description* section of this Manual.

WARNING

Do not obstruct the flow of combustion and ventilation air to and from your oven. There must be no obstructions around or underneath the oven. Constructional changes to the area where the oven is installed shall not affect the air supply to the oven.

CAUTION

For additional installation information, contact your local Authorized Service Agent.

NOTE

There must be adequate clearance between the oven and combustible construction. Clearance must also be provided for servicing and for proper operation.

NOTE

An electrical wiring diagram for the oven is located inside the machinery compartment.

NOTE

All aspects of the oven installation, including placement, utility connections, and ventilation requirements, must conform with any applicable local, national, or international codes. These codes supersede the requirements and guidelines provided in this manual.

NOTE

In the USA, the oven installation must conform with local codes. In the absence of local codes, gas oven installations must conform with the National Fuel Gas Code, ANSI Z223.1. Installed ovens must be electrically grounded in accordance with local codes, or in the absence of local codes, with the National Electrical Code (NEC), or ANSI/NFPA70.

NOTE

In Canada, the oven installation must conform with local codes. In the absence of local codes, gas oven installations must conform with the Natural Gas Installation Code, CAN/CGA-B149.1, or the Propane Gas Installation Code, CAN/CGA-B149.2, as applicable. Installed ovens must be electrically grounded in accordance with local codes, or in the absence of local codes, with the Canadian Electrical Code CSA C22.2.

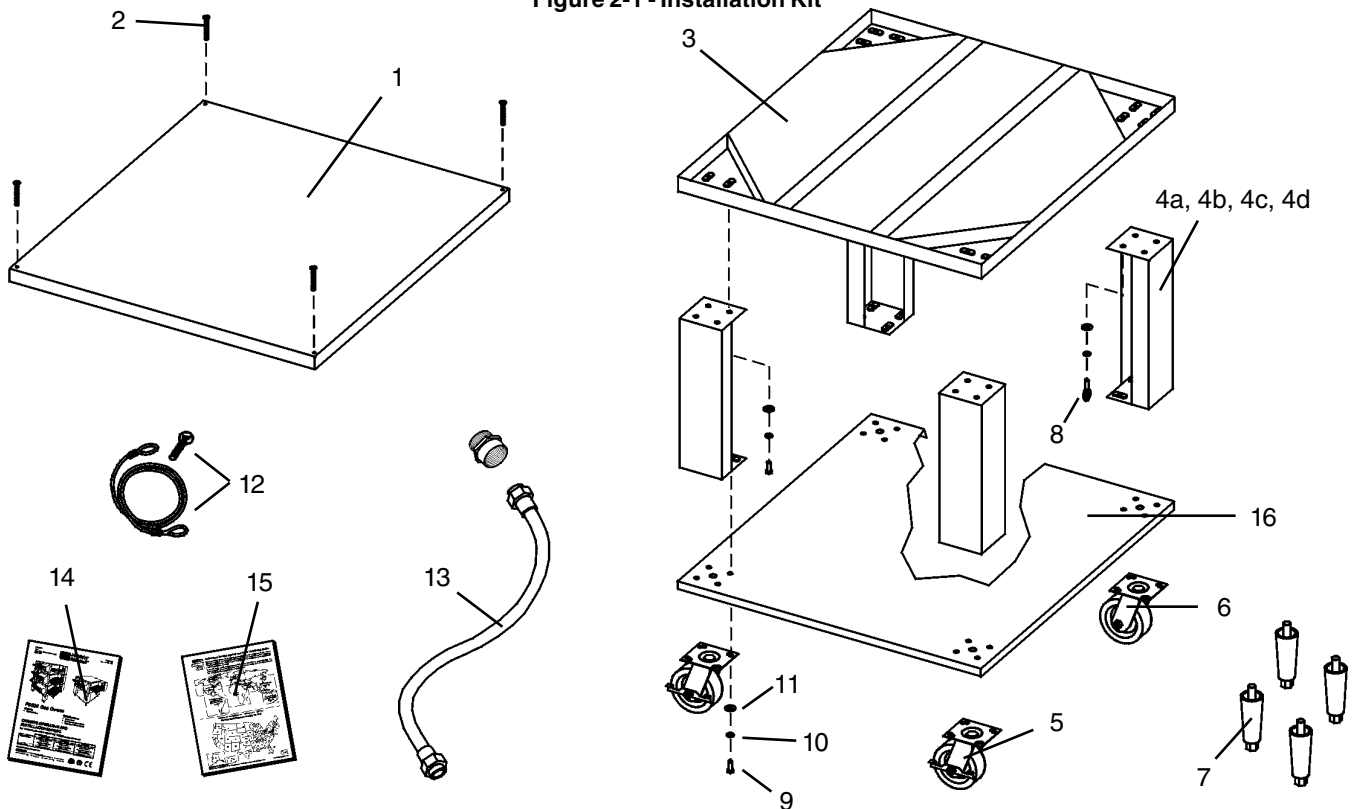
NOTE

In Australia, the oven installation must conform with any requirements of the appropriate statutory authority. Gas oven installations must conform with AGA Codes AG311 and AG601.

NOTE

In CE countries, all aspects of the gas supply connection must comply with current IEC/CEE requirements and with all applicable local, national, and international codes. In addition, four casters are provided to allow the oven to be more easily moved to the installation location. These casters are intended to simplify pre-installation movement only, and are NOT suitable for use as part of a CE oven installation. During the installation procedure, the casters MUST be removed, so that the oven can be supported by the supplied 152mm adjustable legs.

Figure 2-1 - Installation Kit



I. INSTALLATION KIT - see Figure 2-1

Item	Qty. Single Oven	Qty. Double Oven	Qty. Triple Oven	Part No.	Inc. with domestic ovens?	Inc. with CE ovens?	Description
1	1	1	1	48605	Yes	Yes	Top panel
2	4	4	4	3A80A8801	Yes	Yes	Screw, pan head #10 x 2"
3	1	1	1	42893	Yes	Yes	Base pad
4a	4	4	--	42890	Yes	Yes	17-1/2" (445mm) leg extension, for single and double ovens
4b	--	4	--	45360	Yes	Yes	20-1/2" (521mm) leg extension, optional
4c	--	4	--	45329	Yes	Yes	25-1/2" (648mm) leg extension, optional
4d	--	--	4	44799	Yes	Yes	6" (152mm) leg extension, for triple ovens
5	2	2	2	22290-0009	Yes	No	Caster, with flat plate and brake
6	A/R	A/R	A/R	22290-0010	Yes	Yes	Caster, with flat plate (no brake)
NOTE: Domestic and standard export ovens include 2 braking casters (item 5) and 2 non-braking casters (Item 6). CE-approved ovens include 4 non-braking casters (Item 6) SOLELY for the purpose of moving the oven to the installation location. Casters are NOT suitable for use as part of CE oven installations. Refer to the notice on the preceding page.							
7	4	4	4	22450-0028	No	Yes	Leg, adjustable, 6" (152mm)
8	1	1	1	21392-0004	Yes	No	Eyebolt, 3/4"
9	A/R	A/R	A/R	220373	Yes	Yes	Hex bolt, 3/8"-16 x 1"
NOTE: CE-approved ovens include 32 hex bolts. Domestic and standard export ovens include 31 hex bolts and one eyebolt (item 8) that acts as an anchor for the restraint cable (Item 12). CE ovens are mounted on legs (Item 7) and do not use a restraint cable.							
10	32	32	32	21416-0001	Yes	Yes	Flat washer, 3/8"
11	32	32	32	21422-0001	Yes	Yes	Lockwasher, 3/8"
12	1	1	1	22450-0228	Yes	No	Restraint cable assembly
13	1	2	3	22361-0001	Yes	No	Gas hose, 3/4" to 1/2" Gas hose reducer included with gas hose.
14	1	1	1	50236	Yes	Yes	Owner's Operating and Installation Manual
15	1	1	1	1002040	Yes	Yes	Authorized Service Agency Listing
16	1	1	--	46393	Yes	Yes	Lower shelf

II. VENTILATION SYSTEM

IMPORTANT

Where national or local codes require the installation of fire suppression equipment or other supplementary equipment, **DO NOT** mount the equipment directly to the oven.

MOUNTING SUCH EQUIPMENT ON THE OVEN MAY:

- **VOID AGENCY CERTIFICATIONS**
- **RESTRICT SERVICE ACCESS**
- **LEAD TO INCREASED SERVICE EXPENSES FOR THE OWNER**

A. Requirements

CAUTION

Gas oven installations REQUIRE a mechanically driven ventilation system with electrical exhaust air sensing control.

A mechanically driven ventilation system is STRONGLY RECOMMENDED for electric oven installations.

PROPER VENTILATION OF THE OVEN IS THE RESPONSIBILITY OF THE OWNER.

B. Recommendations

NOTE THAT THE HOOD DIMENSIONS SHOWN IN FIGURE 2-2 ARE RECOMMENDATIONS ONLY. LOCAL, NATIONAL AND INTERNATIONAL CODES MUST BE FOLLOWED WHEN INSTALLING THE VENTILATION SYSTEM. ANY APPLICABLE CODES SUPERSEDE THE RECOMMENDATIONS SHOWN IN THIS MANUAL.

The rate of air flow exhausted through the ventilation system may vary depending on the oven configuration and hood design. Consult the hood manufacturer or ventilation engineer for these specifications.

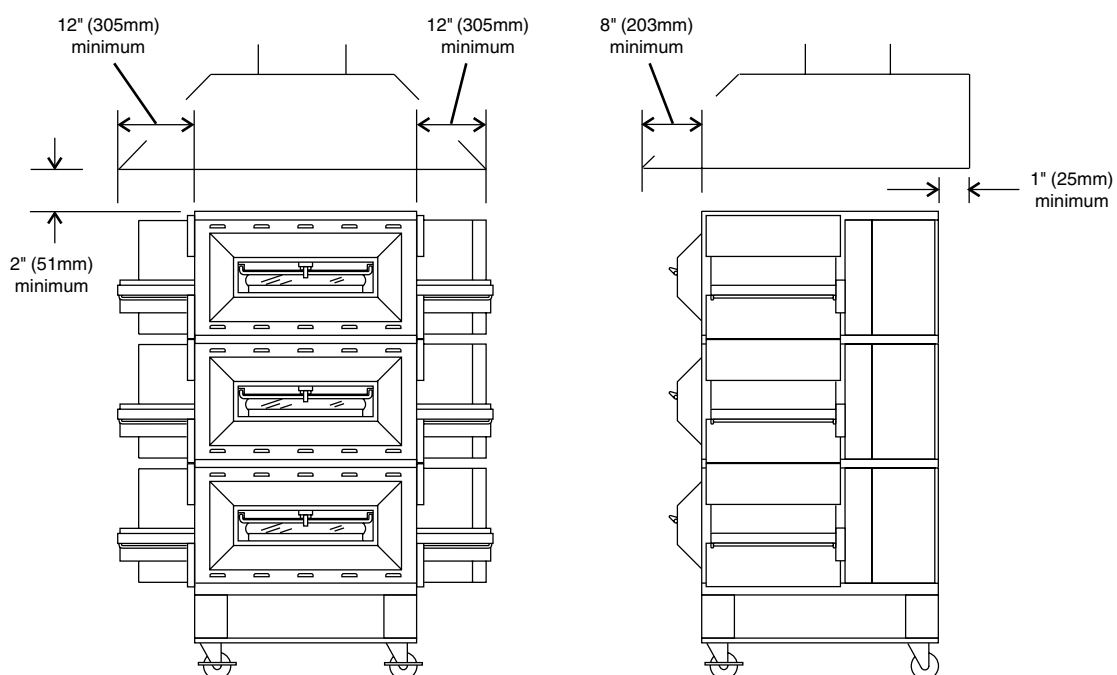
To avoid a negative pressure condition in the kitchen area, return air must be brought back to replenish the air that was exhausted. A negative pressure in the kitchen can cause heat-related problems to the oven components as if there were no ventilation at all. The best method of supplying return air is through the heating, ventilation and air conditioning (HVAC) system. Through the HVAC system, the air can be temperature-controlled for summer and winter. Return air can also be brought in directly from outside the building, but detrimental effects can result from extreme seasonal hot and cold temperatures from the outdoors.

NOTE: Return air from the mechanically driven system must not blow at the opening of the baking chamber. Poor oven baking performance will result.

C. Other ventilation concerns

- Special locations, conditions, or problems may require the services of a ventilation engineer or specialist.
- Inadequate ventilation can inhibit oven performance.
- It is recommended that the ventilation system and duct work be checked at prevailing intervals as specified by the hood manufacturer and/or HVAC engineer or specialist.

Fig. 2-2 - Ventilation System



III. ASSEMBLY

A. Top Panel and Base Pad Assembly

1. Install the four leg extensions onto the base pad using the 3/8"-16x1" screws, 3/8" flat washers, and 3/8" lockwashers supplied in the Base Pad Kit. See Figure 2-3. Check that the finished sides of each leg extension face OUTWARDS.

For domestic and standard export ovens:

One rear leg should be attached using three 3/8"-16 x 1" screws and the 3/4" eyebolt, as shown in Figure 2-3. This eyebolt acts as the anchor point for the restraint cable assembly (see Part C, [Restraint Cable Installation](#)).

2. If your oven is equipped with the lower shelf, position it in place as shown in Figure 2-3. Check that the lip on the shelf faces DOWN. Seal joint between leg and shelf with NSF listed silicone.

3. *For domestic and standard export ovens:*

Install one caster onto each leg extension, as shown in Figure 2-4. Use the 3/8"-16x1" screws, 3/8" flat washers, and 3/8" lockwashers supplied in the Installation Kit. The locking casters should be installed at the FRONT of the oven. The non-locking casters should be installed at the REAR of the oven.

For CE export ovens:

The Installation Kit includes four casters AND four 152mm adjustable legs. The casters are provided to allow the oven to be more easily moved to the installation location, and are NOT suitable for use as part of the oven installation. Refer to the notice at the beginning of this Section.

After the oven is at the installation location, install one 152mm adjustable leg into the center hole on the bottom of each leg extension, as shown in Figure 2-4.

4. Install the lower oven cavity onto the base pad. See Fig. 2-4.
5. For single ovens ONLY, install the top panel using the screws included in the base pad kit, as shown in Figure 2-5. Then, skip ahead to Part C, [Restraint Cable Installation](#).

For double or triple ovens, continue on to Part B, [Stacking](#). Note that the top panel should NOT be installed for double and triple ovens until after stacking the oven cavities.

Figure 2-3 - Leg extension and casters installation

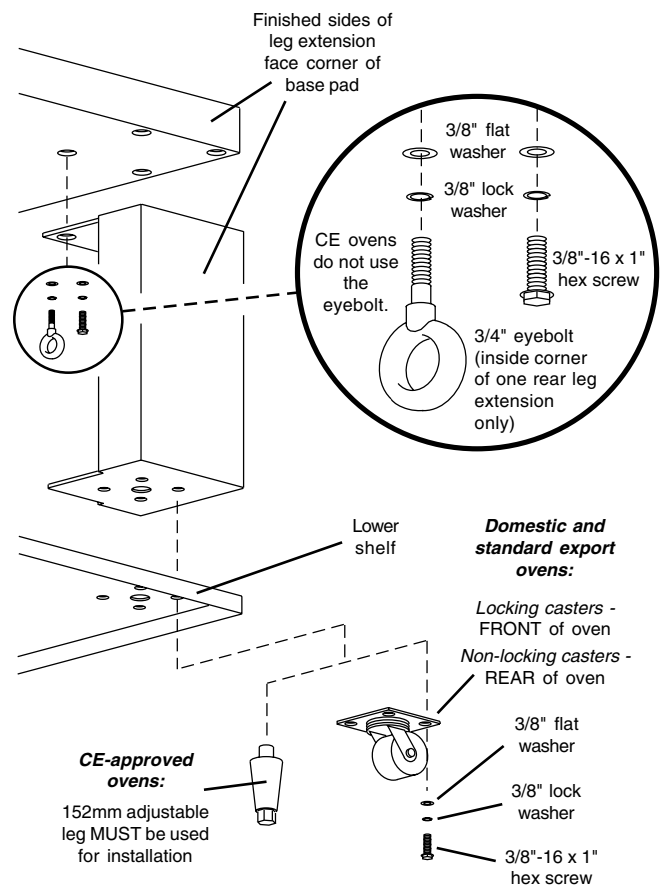


Figure 2-4 - Base pad installation

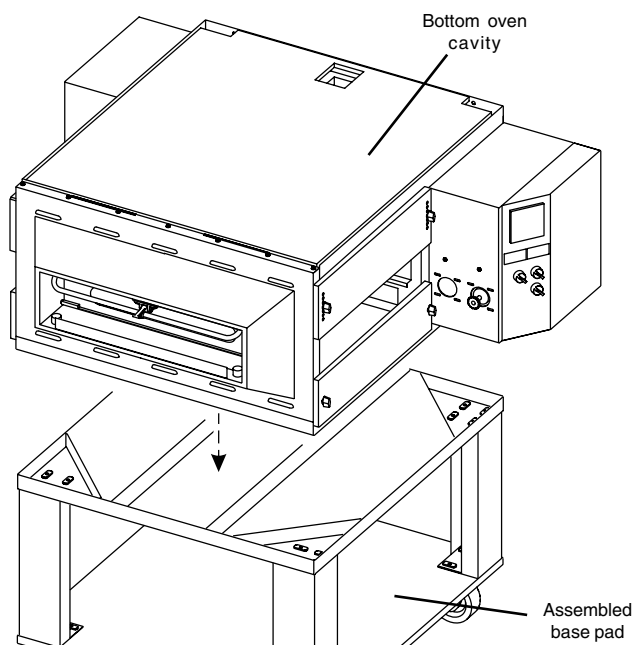
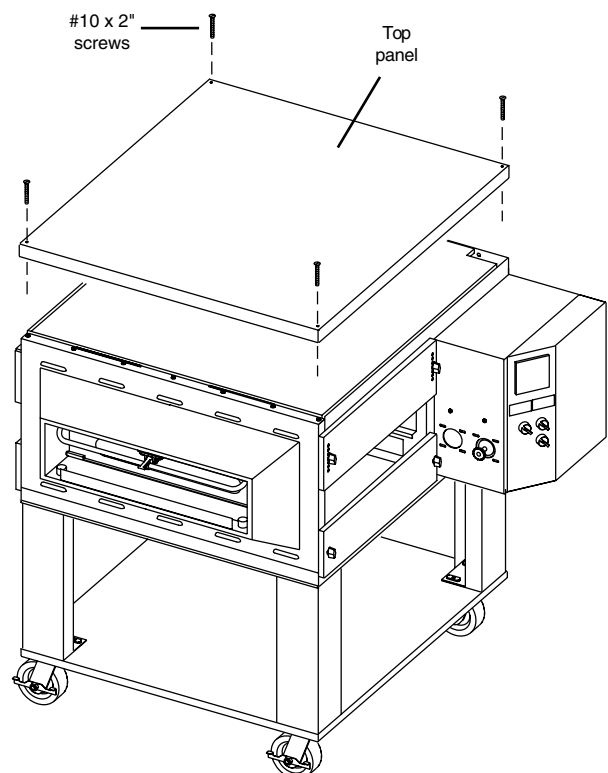


Figure 2-5 - Top panel installation

NOTE: DO NOT install top panel onto double or triple ovens until AFTER stacking the oven cavities. See Part B, [Stacking](#).



SECTION 2-INSTALLATION

B. Stacking

For single ovens, skip ahead to Part C, [Restraint Cable Installation](#).

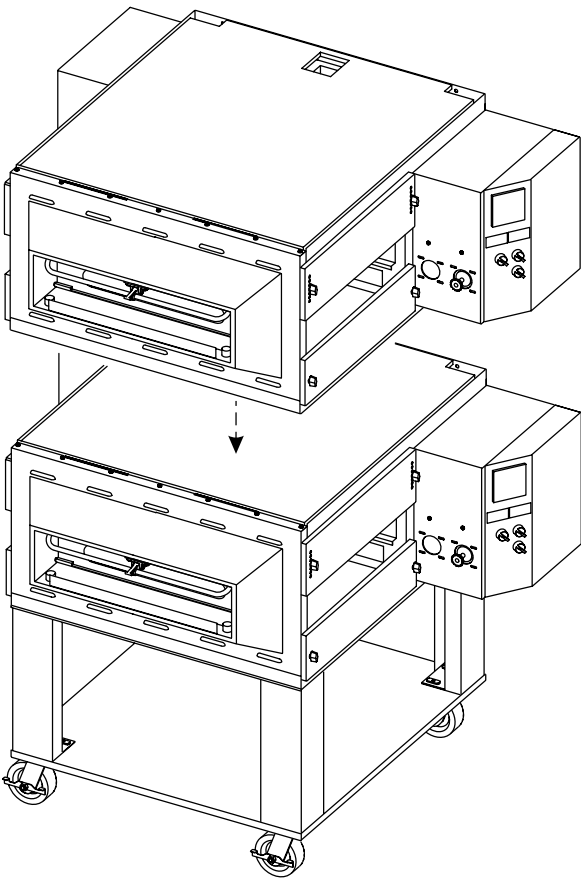
IMPORTANT

Middleby Marshall **STRONGLY RECOMMENDS** that PS536GS oven cavities be stacked using the following:

- PS500 Series Stacking Lift Kit, P/N 30580
- PS536 Stacking Hardware Kit, P/N 46494

Contact your Middleby Marshall Authorized Service Agent for complete stacking instructions.

Figure 2-6 - Stacking

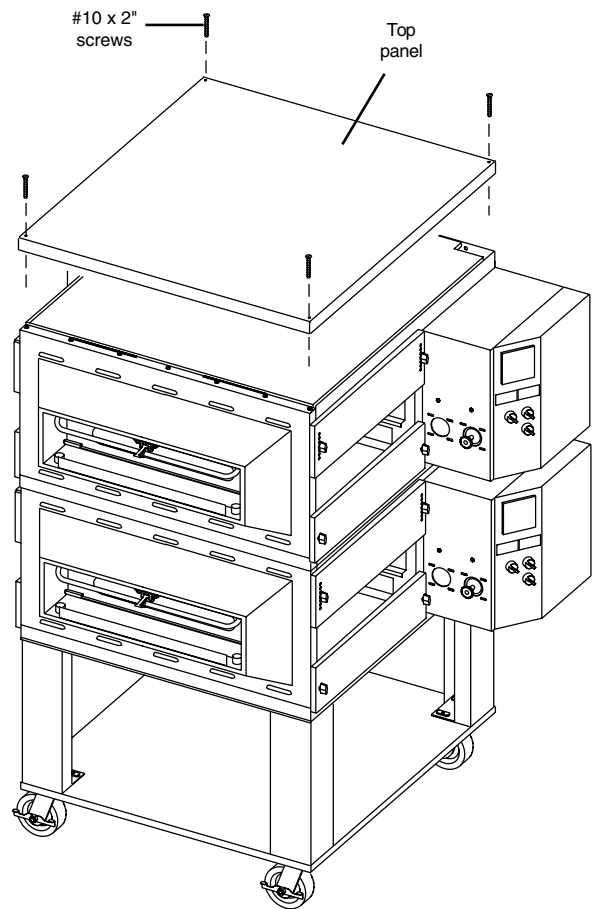


1. Stack an oven cavity on top of the lower oven. Check the following:
 - All four sides of the lower lip (on the bottom edge of the oven cavity) overlap the top of the lower oven.
 - The oven is level.
 - The oven is firmly seated.

See Figure 2-6.

2. For triple ovens, repeat Step 1 to install the top oven cavity.
3. Install the top panel using the screws included in the base pad kit, as shown in Figure 2-7.

Figure 2-7 - Top panel installation



C. Restraint Cable Installation

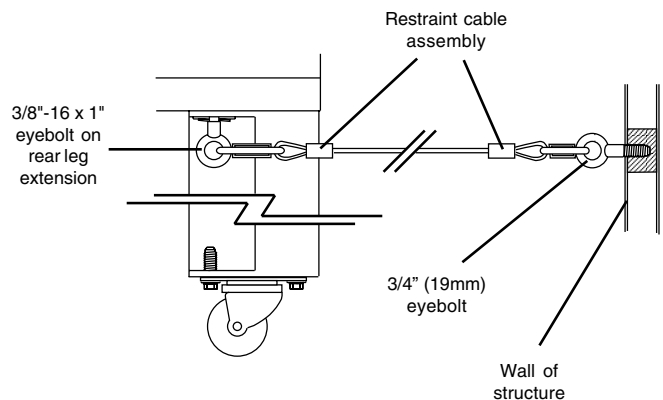
For CE-approved ovens, skip ahead to Part D, [Conveyor Installation](#).

For domestic and standard export ovens, continue with this Section to install the restraint cable.

Because domestic and standard export ovens are equipped with casters, a restraint cable assembly must be installed to limit the movement of the appliance without depending on the connector and the quick disconnect device or its associated piping. One end of the cable is anchored to the eyebolt on one of the rear leg extensions, while the other is anchored to the wall. See Figure 2-8.

After connecting the restraint cable, move the oven to its final location. Then, lock the two front casters.

Figure 2-8 - Installing the Restraint Cable



D. Conveyor Installation

1. Unfold the conveyor as shown in Figure 2-9. Then, begin to slide the conveyor into the end of the oven. The conveyor can only be installed from the end of the oven with the drive motor.
2. Continue moving the conveyor into the oven until the frame protrudes equally from each end of the oven. Check that the crumb tray supports located on the underside of the conveyor frame rest firmly against the lower end plugs, as shown in Figure 2-10.
3. When the conveyor is positioned properly, check for freedom of movement of the conveyor belt by pulling it for about 2-3 feet (0.6-1.0m) with your fingers. The drive and idler shafts must rotate smoothly, and the belt must move freely without rubbing on the inside of the oven.
4. Check the tension of the conveyor belt as shown in Figure 2-11. The belt should lift about 1" (25mm). DO NOT OVERTIGHTEN THE CONVEYOR BELT.

NOTE:

If necessary, the belt tension can be adjusted by turning the conveyor adjustment screws, located at the idler (non-control) end of the conveyor. See Figure 2-11.

Figure 2-9 - Conveyor installation

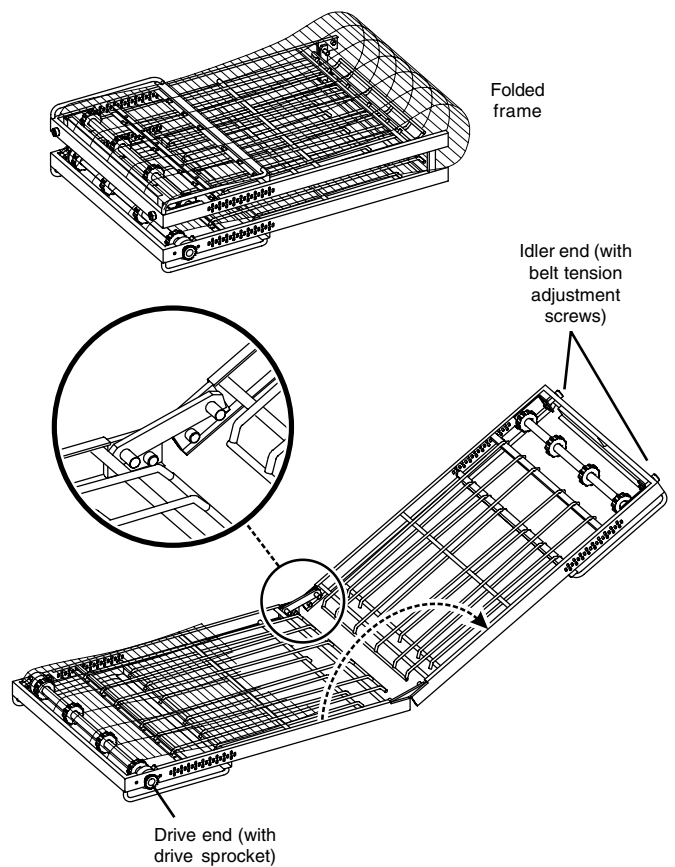


Figure 2-10 - Conveyor placement

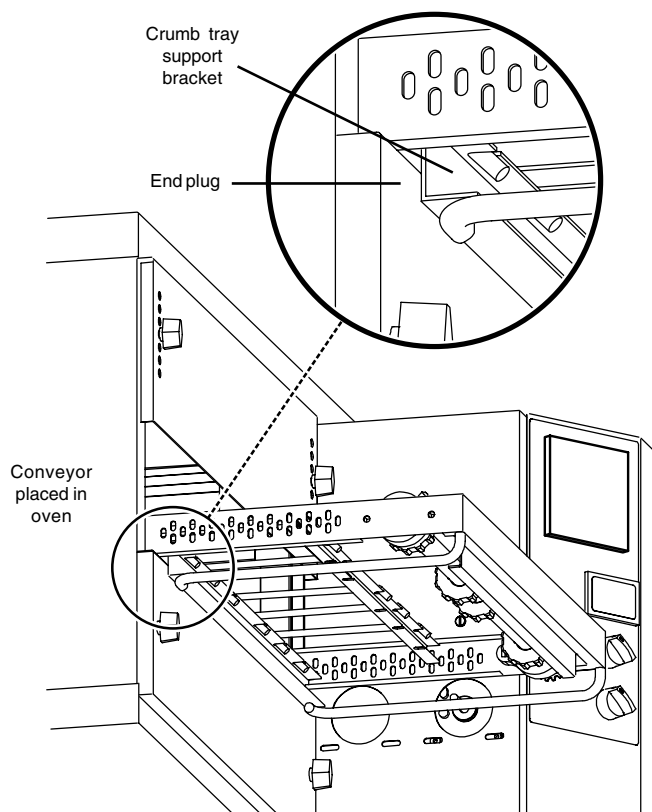
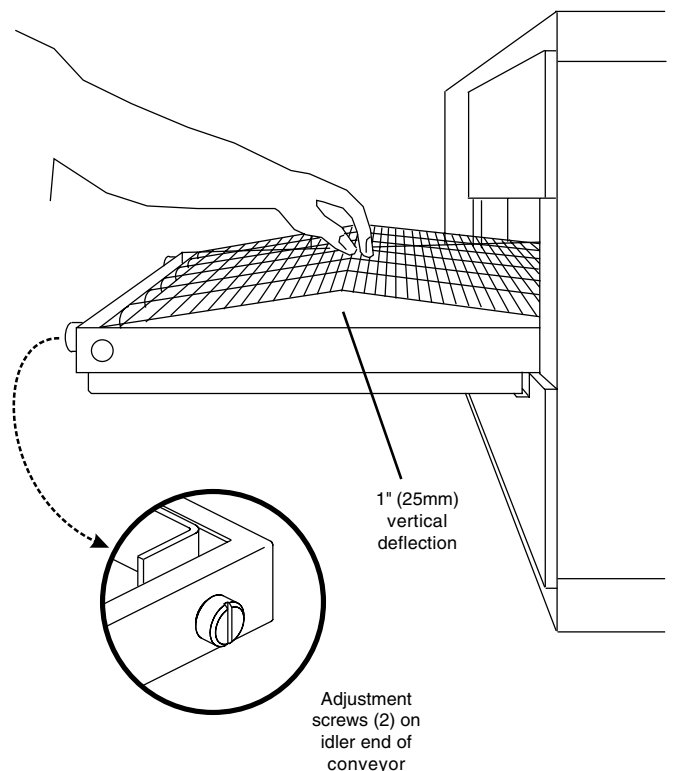


Figure 2-11 - Conveyor belt tension



SECTION 2 - INSTALLATION

5. If it is necessary to add or remove conveyor links to achieve the correct tension, OR if it is necessary to reverse the conveyor belt for correct orientation, the belt will need to be removed from the conveyor frame. If this is necessary, perform the following procedure:
 - Remove the conveyor assembly from the oven and place it flat on the floor.
 - Remove the master links using long-nose pliers. Then, roll up the belt along the length of the conveyor frame.
 - Add or remove belt links as necessary to achieve the correct belt tension.
 - Replace the belt on the conveyor frame. Check that the conveyor belt links are oriented as shown in Figure 2-12, and that the smooth side of the conveyor belt faces UP.
 - Connect the inside master links. Check that the links are oriented as shown in Figure 2-12.
 - Connect the outside master links. Note that the outside master links each have an open hook on one side. This hook aligns with the hooks along the sides of the other conveyor links. See Figure 2-12.
 - Replace the conveyor into the oven.

E Final Assembly

6. Install the drive chain between the conveyor drive sprocket and the motor sprocket. To install the chain, it will be necessary to lift the drive end of the conveyor slightly.
7. Install the conveyor chain cover as shown in Figure 2-13. Check that the chain cover does not bind on the conveyor sprocket or drive shaft.
8. Install the crumb trays as shown in Figure 2-13.
9. Press the end stop down over the edge of the conveyor frame at the exit end of the oven, as shown in Figure 2-13.

Figure 2-12 - Conveyor and master link orientation

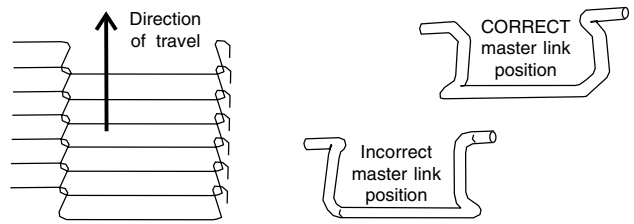
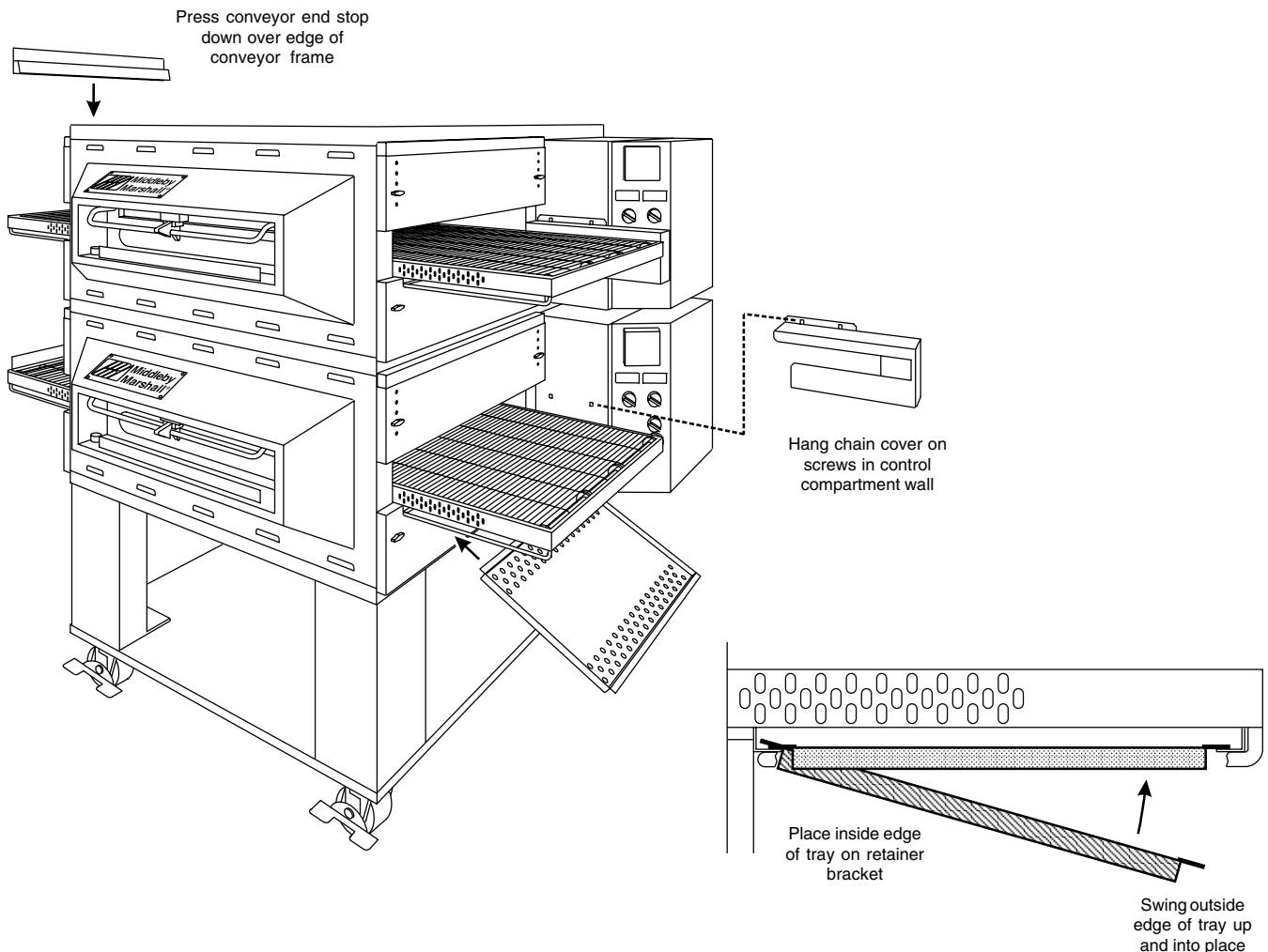


Figure 2-13 - Final assembly



IV. ELECTRICAL SUPPLY



WARNING

Authorized supplier personnel normally accomplish the connections for the ventilation system, electric supply, and gas supply, as arranged by the customer. Following these connections, the factory-authorized installer can perform the initial startup of the oven.

NOTE: The electric supply installation must satisfy the requirements of the appropriate statutory authority, such as the National Electrical Code (NEC), ANSI/NFPA70, (U.S.A.); the Canadian Electrical Code, CSA C22.2; the Australian Code, AG601; current IEC/CEE requirements (CE countries); or other applicable regulations.

NOTE: All aspects of the electrical supply connection must comply with all applicable local, national, and international code requirements.

Check the oven serial plate before making any electric supply connections. Electric supply connections must agree with data on the oven serial plate. The location of the serial plate is shown in Figure 1-1 (in Section 1, [Description](#)).

A fused disconnect switch or a main circuit breaker (customer furnished) **MUST** be installed in the electric supply line for each oven cavity. It is recommended that this circuit breaker/disconnect have lockout/tagout capability. For CE installations, the circuit breaker/disconnect must have a minimum of 3mm contact separation breaking all poles of the supply.

The supply conductors must comply with all applicable local, national and international codes. Supply conductors must be insulated copper wiring, #18 AWG (American Wire Gauge) or equivalent. Additional wiring information is shown on the wiring diagrams in Section 5, [Electrical Wiring Diagrams](#) and inside the machinery compartment of the oven.

The oven requires a ground connection to the oven ground screw located in the electrical junction box. (The box is shown in Figure 2-14.) The ground connection must comply with all applicable local, national, and international codes. If necessary, have the electrician supply the ground wire. **Do NOT use the wiring conduit or other piping for ground connections!**

A. Additional Information - Gas Ovens

All electric supply connections are made via the electrical junction box on the rear of the oven, shown in Figure 2-14. The power lines then connect to the oven circuits through safety switches that interrupt electric power to the oven:

- When the Control Compartment Access Panel is opened;
- When the Machinery Compartment Access Panel is opened, OR
- When the rear panel is removed.

B. Connection

Refer to the wiring diagram inside the machinery compartment, or in Section 5 of this Manual, to determine the correct connections for the electrical supply lines. Connect the supply as indicated on the wiring diagram.

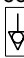
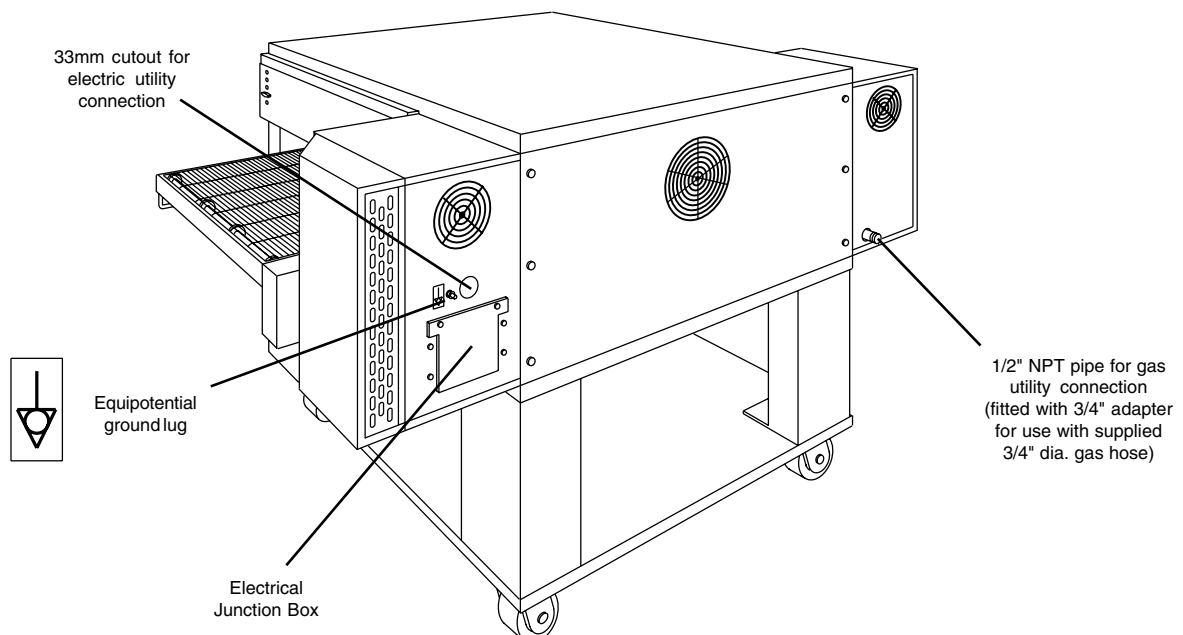
If required by local, national or international codes, connect an equipotential ground wire to the lug next to the  symbol (shown in Figure 2-14). The equipotential ground connection must meet all applicable national and local code requirements.

Figure 2-14 - Utility connection locations



V. GAS SUPPLY

CAUTION

DURING PRESSURE TESTING NOTE THE FOLLOWING:

1. The oven and its individual shutoff valve must be disconnected from the gas supply piping system during any pressure testing of that system at test pressure in excess of 1/2 psi (3.45 kPa).

2. The oven must be isolated from the gas supply piping system by closing its individual manual shutoff valve during any pressure testing of the gas supply piping system at test pressure equal to or less than 1/2 psi (3.45 kPa).

3. If incoming pressure is over 14" W.C. (35mbar), a separate regulator **MUST** be installed in the line **BEFORE** the individual shutoff valve for the oven.

WARNING: To prevent damage to the control valve regulator during initial turn-on of gas, it is **very important** to open the manual shutoff valve **very slowly**.

After the initial gas turn-on, the manual shutoff valve must remain open except during pressure testing as outlined in the above steps or when necessary during service maintenance.

A. Gas Utility Rough-In Recommendations

The following gas system specifications are **STRONGLY RECOMMENDED**. Deviating from these recommendations may affect the baking performance of the oven.

Gas Meter - 650 cfh (307ℓ/min) meter

Gas Line

- DEDICATED LINE from the gas meter to the oven
- 2" (50.8mm) pipe for natural gas
- 1-1/2" (38.1mm) pipe for propane
- Maximum length: 200' (61m). Each 90° elbow equals 7' (2.13m) of pipe.


B. Gas Conversion

Ovens are shipped from the factory configured for use with natural gas. If permitted by local, national and international codes, the oven may be converted to propane gas operation using a Gas Conversion Kit that is supplied with the oven. Gas orifice sizes supplied with the Kit match those shown in Tables 1-4 and 1-5 in the [Description](#) section of this Manual.

Where permitted by local and national codes, it is possible to convert ovens from natural to propane gas, or from propane to natural gas, after the oven has been installed. Gas Conversion Kits are available from Middleby Marshall for this purpose.

C. Connection

WARNING

 Some procedures in this section may require conversions, readjustments, or service on the oven's gas system. Before performing these procedures, check that the main gas supply valve and the circuit breaker/fused disconnect are in the OFF ("O") position. After completing these procedures, perform a gas leak test before operating the oven.

CAUTION

The terms of the oven's warranty require all start-ups, conversions and service work to be performed by a Middleby Marshall Authorized Service Agent. The installation, start-up and changes required when changing from one gas type to another can be performed **ONLY** by a certified professional.

NOTE: Certain safety code requirements exist for the installation of gas ovens; refer to the beginning of Section 2 for a list of the installation standards. In addition:

- *In the USA*, the installation must conform with local codes, or in the absence of local codes, with the National Fuel Gas Code, ANSI Z223.1.
- *In Canada*, the installation must conform with local codes, or in the absence of local codes, with the Natural Gas Installation Code, CAN/CGA-B 149.1, or the Propane Installation Code, CAN/CGA-B 149.2, as applicable.
- *In Australia*, the installation must conform with AGA Codes AG311 and AG601, and with any requirements of the appropriate statutory authority.
- *In CE countries*, the gas supply connection should be according to EN-203 (gas appliance directive) and to applicable ISO 228-1 or ISO 7-1 recommendations. All aspects of the gas supply connection must comply with current IEC/CEE requirements and with all applicable local, national, and international codes.
- *For all ovens equipped with casters*, the gas line connection shall be made with:
 - A connector that complies with the Standard for Connectors for Movable Gas Appliances, ANSI Z21.69 (in USA), or Connectors for Movable Gas Appliances, CAN/CGA-6.16 (in Canada).

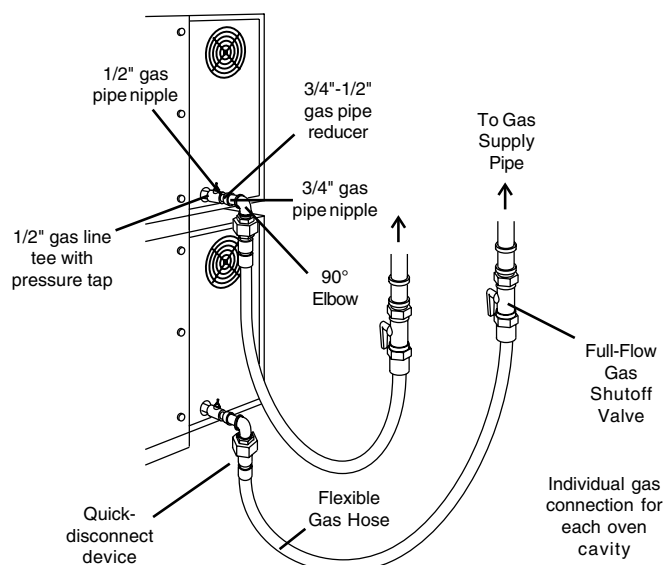
Check the oven's gas supply requirements to determine the type of gas to be used with the oven. If the gas type required does NOT match the local supply:

- For North American installations, a conversion kit is supplied with the oven to allow operation using propane gas. Refer to Part B, [Gas Conversion](#), in this section.
- For CE ovens, directions for converting the oven for use with other gases are described in Part D.1, [Preparation for Use with Various Gases](#), in this section.

If the installation will use the supplied gas hose, be sure that the 1/2" to 3/4" gas line fitting is attached. Refer to the instructions in the gas hose package. One gas line connection method is shown in Figure 2-15; however, compliance with the applicable standards and regulations is mandatory.

Inlet and regulated gas pressures can be measured using a "U" tube manometer at the tap locations shown in Figures 2-15 and 2-16.

Figure 2-15 - Flexible Gas Hose Installation



1. Checking the Gas Supply (Inlet) Pressure

- With the main gas supply valve closed and the circuit breaker/fused disconnect in the OFF ("O") position, open the inlet pressure tap shown in Figure 2-16 and attach a manometer to the tap.
- Depress the safety switches to allow the oven to operate.
- Open the main gas supply valve. Switch the circuit breaker/fused disconnect to the ON ("I") position.
- Start the oven according the directions in the Operation section of this Manual. Adjust the temperature controller to the maximum setting (316°C).
- Measure the supply (inlet) pressure.
- Switch the oven off. Close the main gas supply valve, and switch the circuit breaker/fused disconnect to the OFF ("O") position. Remove the manometer, and close the inlet tap.
- Compare the measured supply (inlet) pressure to the nominal pressures shown in Table 1-5 (in the Description section of this Manual).

If the supply pressure is lower or higher than the nominal pressure, the reason should be investigated and the gas supplier contacted.

For natural gas ovens, if the measured supply pressure is lower than 0.247psi, or higher than 0.363psi, contact the gas supplier. DO NOT OPERATE THE OVEN or adjust the oven controls.

2. Adjusting the Orifice (Manifold) Pressure and Heat Input

To use the orifice pressure method, you must know the specific gas type and quality used. If using the orifice pressure method, you should double-check the input using the volumetric method.

To use the volumetric method, you must know the heat value (HuB) of the gas used. This information is available from your gas supplier.

During these measurements, do not operate any other appliances that use the same gas meter as the oven.

a. Orifice (Manifold) Pressure Method

- With the main gas supply valve closed and the circuit breaker/fused disconnect in the OFF ("O") position, open the manifold pressure tap shown in Figure 2-16 and attach a manometer to the tap.
- Remove the cap screw from the pressure adjustment screw (governor) on the gas control valve.
- Depress the safety switches to allow the oven to operate.
- Open the main gas supply valve. Switch the circuit breaker/fused disconnect to the ON ("I") position.
- Start the oven according the directions in the Operation section of this Manual. Adjust the temperature controller to the maximum setting (316°C).
- Adjust the pressure adjustment screw as necessary to match the correct pressure for the oven's specific gas type. Refer to Table 1-5 in the Description section of this Manual. Turning the adjustment screw clockwise increases the flow, while turning it counterclockwise reduces the flow.
- Switch the oven off. Close the main gas supply valve, and switch the circuit breaker/fused disconnect to the OFF ("O") position. Remove the manometer, and close the manifold pressure tap.

b. Volumetric Method

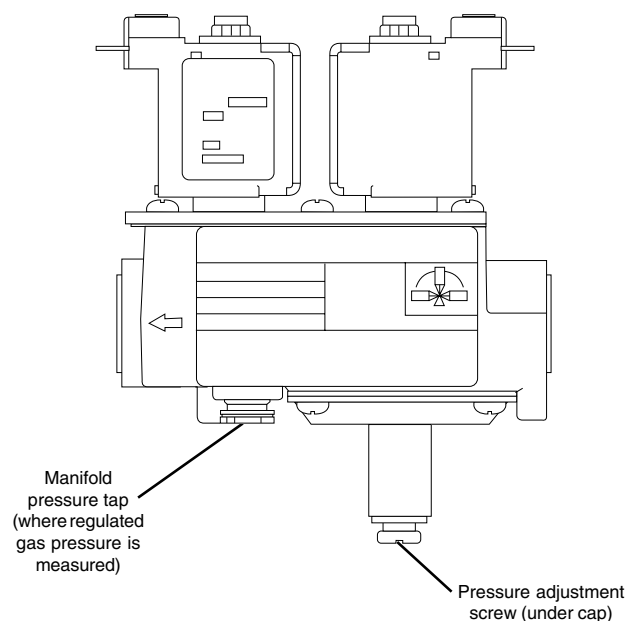
- Determine the time of 0.1m³ (100 liters) of gas usage as follows.

$$\text{Consumption (m}^3\text{/hr.)} = \frac{\text{NB (Rated input in kW)}}{\text{HuB (Heat [Calorific] value of gas in kW/m}^3\text{)}}$$

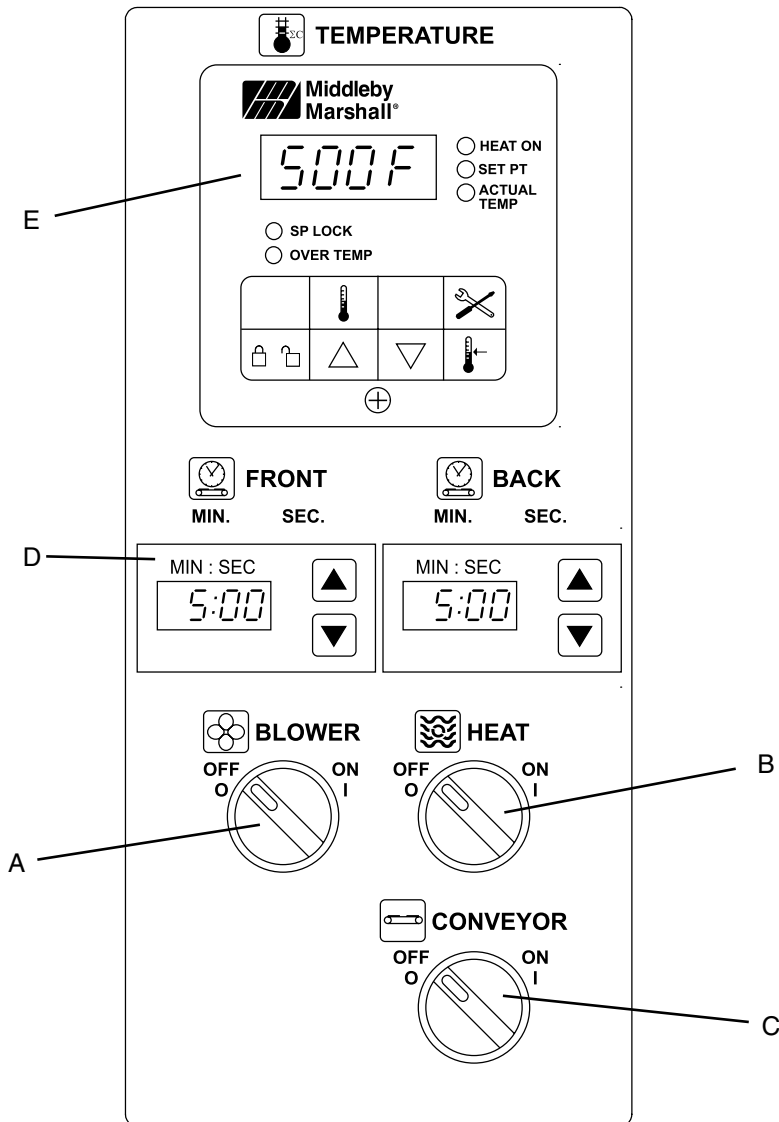
$$\text{Time (in minutes) of 0.1m}^3\text{ of gas usage} = \frac{6}{\text{Consumption}}$$

- Check that the main gas supply valve and the circuit breaker/fused disconnect are in the OFF ("O") position.
- Remove the cap screw from the pressure adjustment screw (governor) on the gas control valve.
- Depress the safety switches to allow the oven to operate.
- Open the main gas supply valve. Switch the circuit breaker/fused disconnect to the ON ("I") position.
- Start the oven according the directions in the Operation section of this Manual. Adjust the temperature controller to the maximum setting (316°C).
- Adjust the pressure adjustment screw as necessary to match the calculated volume using the time (in minutes) of 0.1m³ of gas usage. Turning the adjustment screw clockwise increases the flow, while turning it counterclockwise reduces the flow.
- Record the reading obtained from the gas meter and calculate the obtained gas flow. Compare this value to the information in Tables 1-4 and 1-5 in the Description section of this Manual.
- Switch the oven off. Close the main gas supply valve, and switch the circuit breaker/fused disconnect to the OFF ("O") position. Replace the cap screw onto the gas control valve.

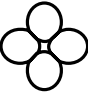




Figure 2-16 - Gas Control Valve



SECTION 3 - OPERATION



I. LOCATION AND DESCRIPTION OF CONTROLS

- A.  **"BLOWER" Switch:** Turns the blowers and cooling fans on and off. The HEAT Switch has no effect unless the BLOWER Switch is in the "ON" position.
- B.  **"HEAT" Switch:** Allows the burner to activate. Activation is determined by the settings on the Digital Temperature Controller.
- C.  **"CONVEYOR" Switch:** Turns the conveyor drive motor on and off.
- D.  **Conveyor Speed Controller:** Adjusts and displays the bake time. Single-belt ovens have one controller. Split belt ovens have one controller for each conveyor belt, labeled "FRONT" and "BACK."
- E.  **Digital Temperature Controller:** Continuously monitors the oven temperature. Settings on the Digital Temperature Controller control the activation of the burner. Keypad controls allow the operator to select the cooking temperature and monitor oven operation.

NOT SHOWN:

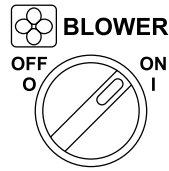
- F. **Machinery and Control Compartment Safety Switches:** Disconnect electrical power to the controls and blowers when EITHER the machinery compartment door OR the control compartment door is opened. The doors should only be opened by authorized service personnel.

II. NORMAL OPERATION - STEP-BY-STEP

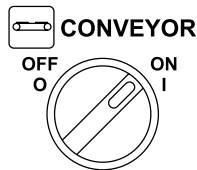
A. DAILY STARTUP PROCEDURE

1. Check that the circuit breaker/fused disconnect is in the on position. Check that the window is closed.

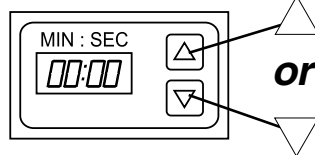
2. Turn the "BLOWER" (🌀) switch to the "ON" ("I") position.



3. Turn the "CONVEYOR" (⇌) switch to the "ON" ("I") position.

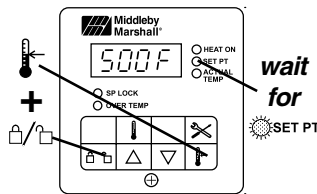


4. If necessary, adjust the conveyor speed setting by pressing the Δ or ∇ pushbuttons on the conveyor speed controller to change the displayed bake time.

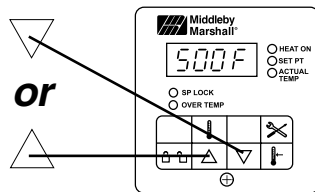


5. Adjust the temperature controller to a desired set temperature, if necessary.

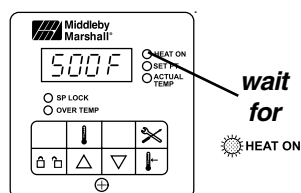
- Press the Set Point and Unlock keys at the same time. Wait for the "SET PT" light to turn on.



- Press the Up Arrow and Down Arrow Keys as necessary to adjust the set-point.

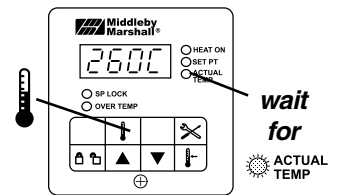


6. Turn the "HEAT" (🔥) switch to the "ON" ("I") position, and wait for the "HEAT ON" light to turn on.



7. Wait for the oven to heat to the setpoint temperature. Higher setpoint temperatures will require a longer wait. The oven can reach a temperature of 500°F (232°C) in approximately 5 minutes.

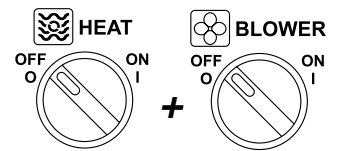
8. (Optional) Press the Temperature (🌡️) key to show the Actual Temperature in the display, and wait for the "ACTUAL TEMP" light to turn on. This allows you to monitor the oven temperature as it rises to the setpoint.



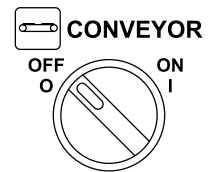
9. Allow the oven to preheat for 10 minutes after it has reached the set point temperature.

B. DAILY SHUTDOWN PROCEDURE

1. Turn the "HEAT" (🔥) and "BLOWER" (🌀) switches to the "OFF" ("O") position. Note that the blowers will remain in operation until the oven has cooled to below 200°F (93°C).



2. Make certain that there are no products left on the conveyor inside the oven. Turn the "CONVEYOR" (⇌) switch to the "OFF" ("O") position.



3. Open the window to allow the oven to cool faster.

4. After the oven has cooled and the blowers have turned off, switch the circuit breaker/fused disconnect to the off position.

IMPORTANT

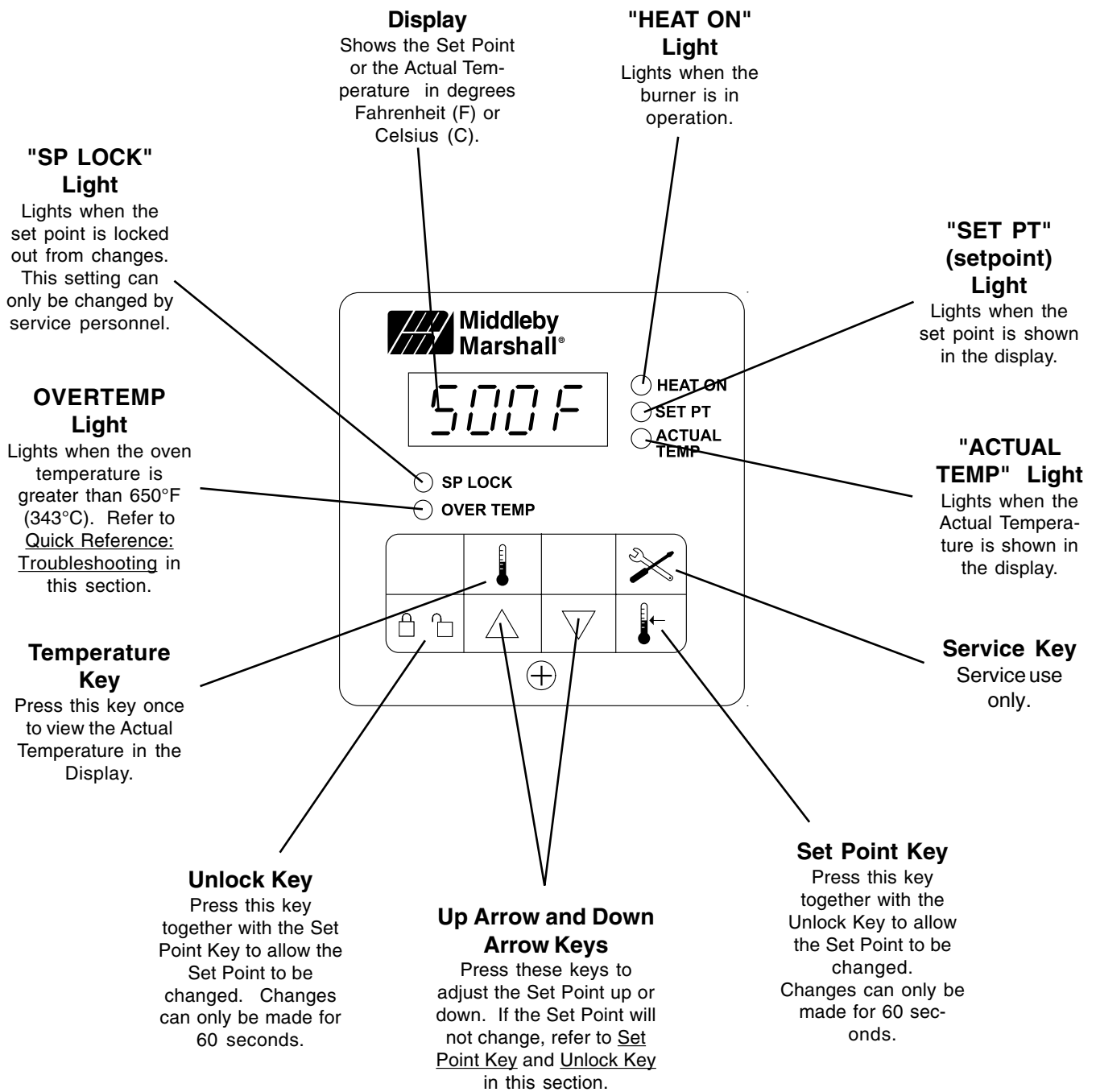
On gas ovens, if the "HEAT ON" light will not illuminate, OR if the oven does not heat, the gas burner may not have lit. Turn the "HEAT" (🔥), "BLOWER" (🌀), and "CONVEYOR" (⇌) switches to the "OFF" ("O") position. Wait for AT LEAST FIVE MINUTES before restarting the oven. Then, repeat the Daily Startup procedure.

CAUTION

In case of power failure, turn all switches to the "OFF" ("O") position, open the oven window, and remove the product. After the power has been restored, perform the normal startup procedure. IF THE OVEN WAS SWITCHED OFF FOR LESS THAN 5 MINUTES, WAIT FOR AT LEAST FIVE MINUTES BEFORE RESTARTING THE OVEN.

The burner will not operate and gas will not flow through the burner without electric power. No attempt should be made to operate the oven during a power failure.

III. QUICK REFERENCE: DIGITAL TEMPERATURE CONTROLLER



SECTION 4 - MAINTENANCE

WARNING

Before ANY cleaning or servicing of the oven, perform the following procedure:

1. Switch off the oven and allow it to cool. Do NOT service the oven while it is warm.
2. Turn the full-flow gas safety valve to the off position.
3. Turn off the electric supply circuit breaker(s) and disconnect the electric supply to the oven.
4. If it is necessary to move a gas oven for cleaning or servicing, disconnect the gas supply before moving the oven.

When all cleaning and servicing is complete:

1. If the oven was moved for servicing, return the oven to its original location.
2. Reconnect the gas supply.
3. Reconnect the electrical supply.
4. Turn on the full-flow gas safety valve. Test the gas line connections for leaks using approved leak test substances or thick soap suds.
5. Turn on the electric supply circuit breaker(s).
6. Perform the normal startup procedure.

WARNING

Possibility of injury from moving parts and electrical shock exists in this oven. Switch off and lockout/tagout the electric supply BEFORE beginning to disassemble, clean, or service any oven. Never disassemble or clean an oven with the BLOWER (⊗) switch or any other circuit of the oven switched on.

CAUTION

NEVER use a water hose or pressurized steam-cleaning equipment when cleaning this oven. To avoid saturating the oven insulation, DO NOT use excessive amounts of water. DO NOT use a caustic oven cleaner, which can damage the bake chamber surfaces.

NOTE

ANY replacement parts that require access to the interior of the oven may ONLY be replaced by a Middleby Marshall Authorized Service Agent. It is also strongly recommended that the 3-Month Maintenance and 6-Month Maintenance procedures in this section be performed ONLY by a Middleby Marshall Authorized Service Agent.

I. MAINTENANCE - DAILY

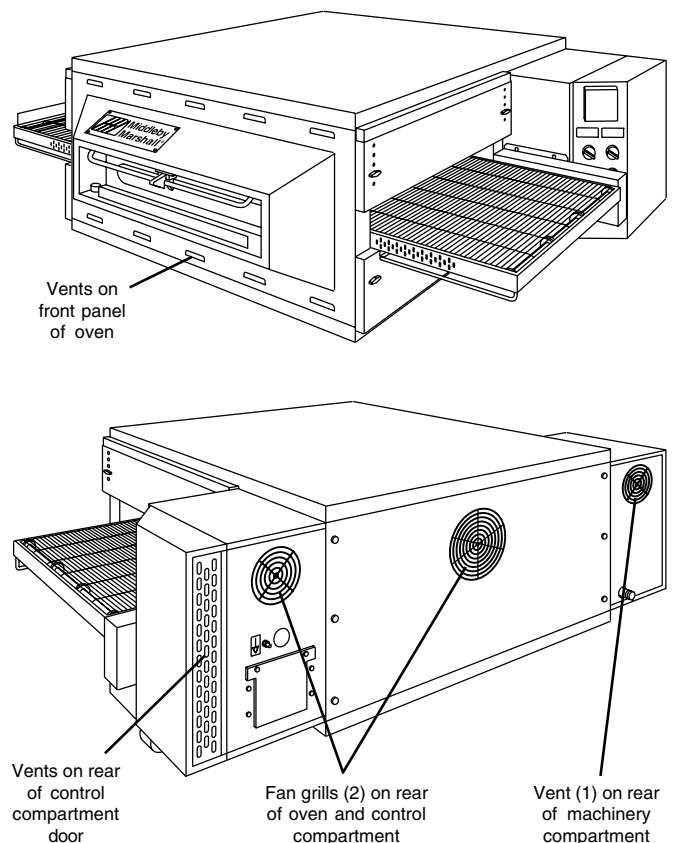
- A. Check that the oven is cool and the power is disconnected, as described in the warning at the beginning of this Section.
- B. Clean ALL of the cooling fan grills and vent openings with a stiff nylon brush. Refer to Figure 4-1 for the locations of the grills and vents.
- C. Clean the outside of the oven with a soft cloth and mild detergent.
- D. Check that ALL cooling fans are operating properly.

CAUTION

If a cooling fan is not operating correctly, it must be replaced IMMEDIATELY. Operating the oven without adequate cooling can seriously damage the oven's internal components.

- E. Clean the conveyor belts with a stiff nylon brush. This is more easily accomplished by allowing the conveyor to run while you stand at the exit end of the conveyor. Then, brush the crumbs off the conveyor as it moves.
- F. Remove and clean the crumb trays. If necessary, refer to Figure 2-13 (in Section 2, Installation) when replacing the crumb trays into the oven.
- G. Clean the window in place.

Figure 4-1 - Cooling Vents and Grills



II. MAINTENANCE - MONTHLY

- A. Check that the oven is cool and the power is disconnected, as described in the warning at the beginning of this Section.
- B. Refer to Part D, [Conveyor Installation](#), in the [Installation](#) section of this Manual. Then, remove the following components from the oven:
- Conveyor end stop
 - Crumb trays
 - Chain cover
 - Drive chain
 - End plugs
 - Conveyor assembly
- C. Slide the air fingers and blank plates out of the oven, as shown in Figure 4-2. AS EACH FINGER OR PLATE IS REMOVED, WRITE A "LOCATION CODE" ON IT WITH A MARKER to make sure that it can be reinstalled correctly.

Example of markings:

(Top Row)	T1	T2	T3	T4
(Bottom Row)	B1	B2	B3	B4

- D. Disassemble the air fingers. See Figure 4-3. AS EACH FINGER IS DISASSEMBLED, WRITE THE "LOCATION CODE" FOR THE FINGER ON ALL THREE OF ITS PIECES. This will help you in correctly reassembling the air fingers.

CAUTION

Incorrect reassembly of the air fingers will change the baking properties of the oven.

- E. Clean the air finger components and the interior of the baking chamber using a vacuum cleaner and a damp cloth. Refer to the boxed warnings at the beginning of this Section for cleaning precautions.
- F. Reassemble the air fingers. Then, replace them in the oven, using the "location code" as a guide.
- G. Install the end plugs on the oven. Then, reinstall the conveyor.
- I. Reattach the drive chain. Replace the chain cover.
- J. Check the tension of the conveyor belt as shown in Figure 2-11 (in Section 2, [Installation](#)). The belt should lift about 1" (25mm). If necessary, adjust the belt tension using the procedure in Part D ([Conveyor Installation](#)) in the [Installation](#) section of this Manual.
- K. Replace all components onto the oven.

III. MAINTENANCE - EVERY 3 MONTHS

- A. Check that the oven is cool and the power is disconnected, as described in the warning at the beginning of this Section.
- B. Open the machinery compartment access panel. Vacuum the inside of the compartment using a shop vacuum.
- C. Tighten all electrical control terminal screws.
- D. **Split Belt Disassembly and Cleaning**
1. Refer to Part D, [Conveyor Installation](#), in the [Installation](#) section of this Manual. Then, remove the following components from the oven:
 - Conveyor end stop
 - Crumb trays
 - Chain cover
 - Drive chains
 - End plugs
 - Conveyor assembly

Figure 4-2 - Removing Air Fingers and Plates

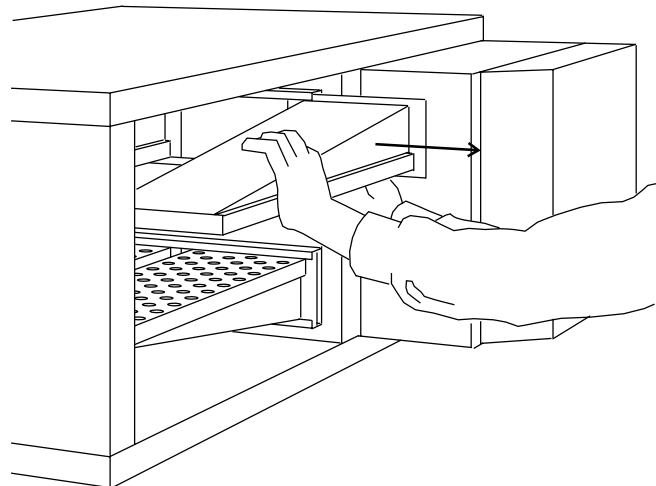
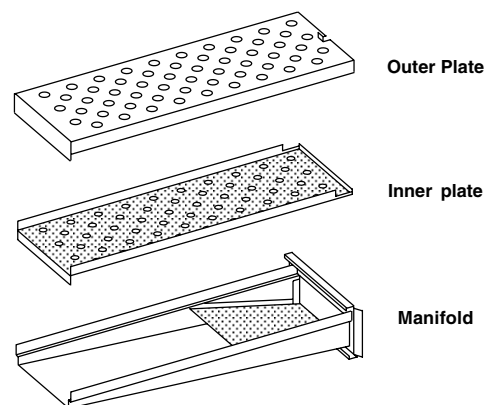


Figure 4-3 - Disassembling the Air Fingers



SECTION 4 - MAINTENANCE

2. Remove the master links from each conveyor belt. Then, roll the belts up along the length of the conveyor to remove them from the frame.
3. Remove the two conveyor adjustment screws from the idler end of the conveyor frame, as shown in Figure 4-4.
4. Remove the idler shaft assembly from the conveyor.
5. Pull apart the two sections of the idler shaft.
6. Clean the shafts thoroughly using a rag. Then, lubricate both the extended shaft and the interior of the hollow shaft using a light food-grade lubricant. **DO NOT** lubricate the shafts using WD40 or a similar product. This can cause the shafts to wear rapidly.
7. Before reassembling the shafts into the conveyor frame, check that they are oriented properly.
8. Reassemble the idler shaft into the conveyor. Make sure that the bronze washer is in place between the two sections of the shaft. See Figure 4-4.
9. Replace the conveyor adjustment screws as shown in Figure 4-4. To allow the conveyor belt to be reinstalled later, do not tighten the screws at this time.
10. Loosen the set screw on both of the conveyor drive sprockets. Then, remove the sprockets from the shaft.
11. Check the conveyor configuration as follows:
 - High-speed conveyors are equipped with large flange bearings at both ends of the shaft, as shown in Figure 4-5. For these conveyors, remove the two screws that hold each bearing to the conveyor frame. With the screws removed, lift the end of the shaft at the front of the oven, and pull the entire assembly free of the conveyor frame.
 - Standard conveyors are equipped with bronze bushings mounted on spacers at both ends of the shaft, as shown in Figure 4-5. For these conveyors, remove the two screws that hold the bracket to the conveyor frame. With the screws removed, lift the end of the shaft at the front of the oven, and pull the entire assembly free of the conveyor frame. The brackets will be removed along with the drive shaft assembly.

Figure 4-4 - Disassembling the idler shaft

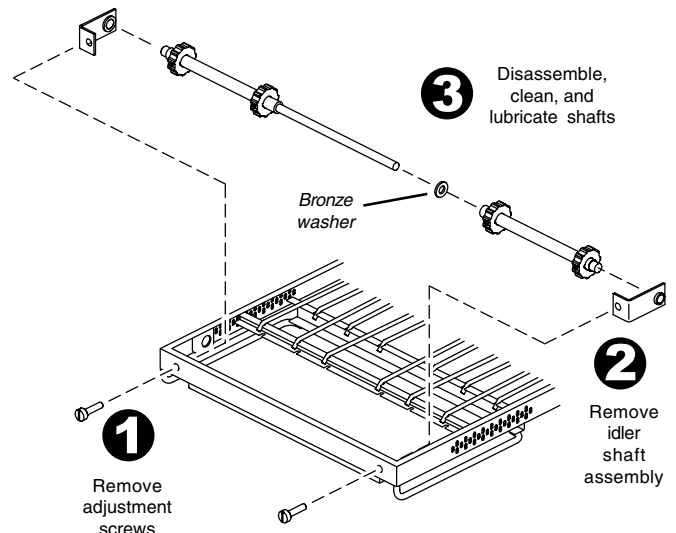


Figure 4-5 - Drive shaft configurations

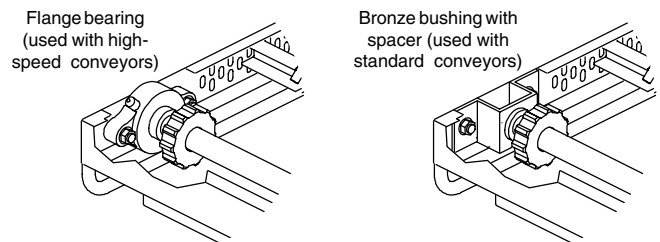
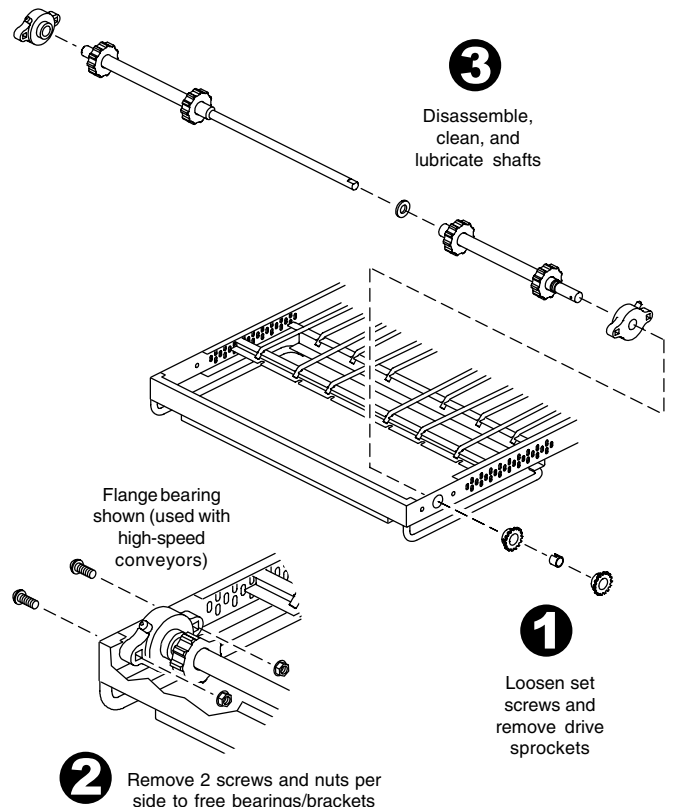


Figure 4-6 - Disassembling the drive shaft



12. Disassemble and lubricate the two sections of the drive shaft as described for the idler shaft, above.
13. Before reassembling the shafts into the conveyor frame, check that they are oriented properly.
14. Reassemble the drive shaft into the conveyor. Make sure that the bronze washer is in place between the two sections of the shaft. See Figure 4-6.
15. Replace the drive sprockets. Reassemble the belts and master links onto the conveyor.
16. Reinstall the end plugs and conveyor onto the oven.
17. Reattach the drive chains. Replace the chain cover.
18. Check the tension of the conveyor belt as shown in Figure 2-11 (in Section 2, Installation). The belt should lift about 1" (25mm). If necessary, adjust the belt tension by turning the conveyor adjustment screws.
19. Replace all components onto the oven.

E. Blower Belt

1. Remove the six screws shown in Figure 4-7. Then, remove the rear panel from the oven.
2. Check the blower belt for the proper 1/4" (6mm) deflection at the center, and for cracking or excessive wear. See Figure 4-7. Overtightening the belt will cause premature bearing failure and possible vibrations. A loose belt may also cause vibrations.
3. If necessary, adjust the tension of the belt by loosening the four motor mounting bolts. Reposition the motor as necessary until the correct 1/4" (6mm) deflection is reached, then tighten the bolts.

F. Lubricating the Blower Fan Bearings

1. Use a grease gun to lubricate the main blower fan shaft bearings, as shown in Figure 4-7.

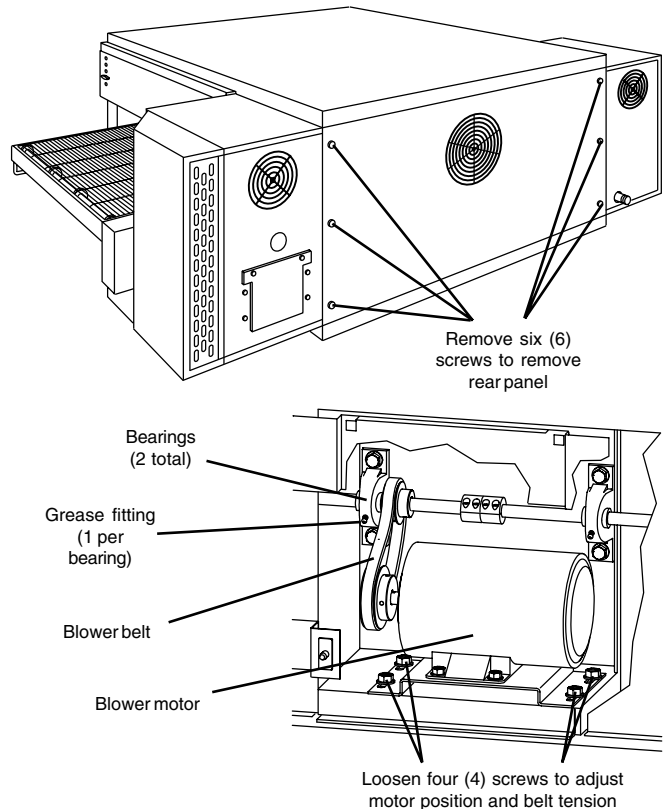
When lubricating the bearings:

- Use a high-quality NLGI #2, lithium soap grease with petroleum oil, such as Middleby P/N 17110-0015.
 - Add the grease slowly until a small bead of grease is present at the seals. **AVOID OVERGREASING.** Excessive greasing may cause harm to the bearing.
2. Manually turn the blower shaft by pulling on the belt to purge the grease. Wipe off any excess grease.
 3. Replace the rear panel onto the oven.

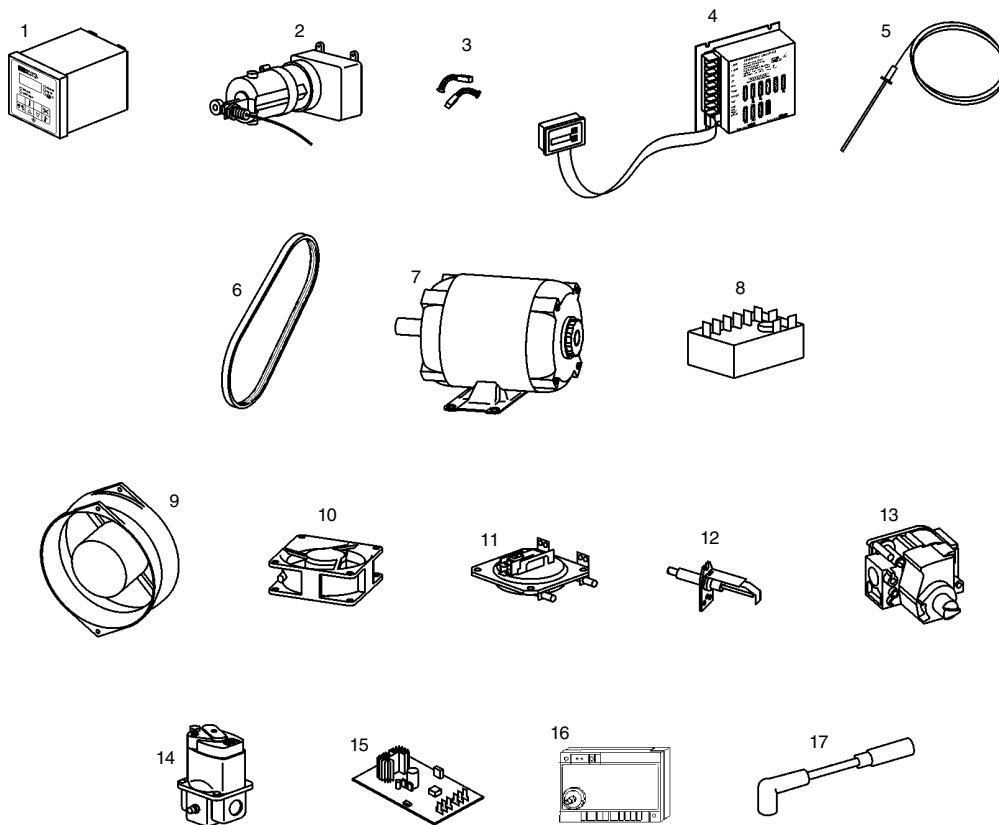
IV. MAINTENANCE - EVERY 6 MONTHS

- A. Check that the oven is cool and the power is disconnected, as described in the warning at the beginning of this Section.
- B. Check for excessive wear on the conveyor drive motor brushes. The brushes should be replaced if they have worn to less than 1/4" (6mm) in length. Be sure to replace the brushes in exactly the same position.
- C. For gas ovens, inspect and clean the burner nozzle and the spark electrode assembly.
- D. Check the conveyor drive shaft bushings and spacers. Replace the components if they are worn.

Figure 4-7 - Rear panel access

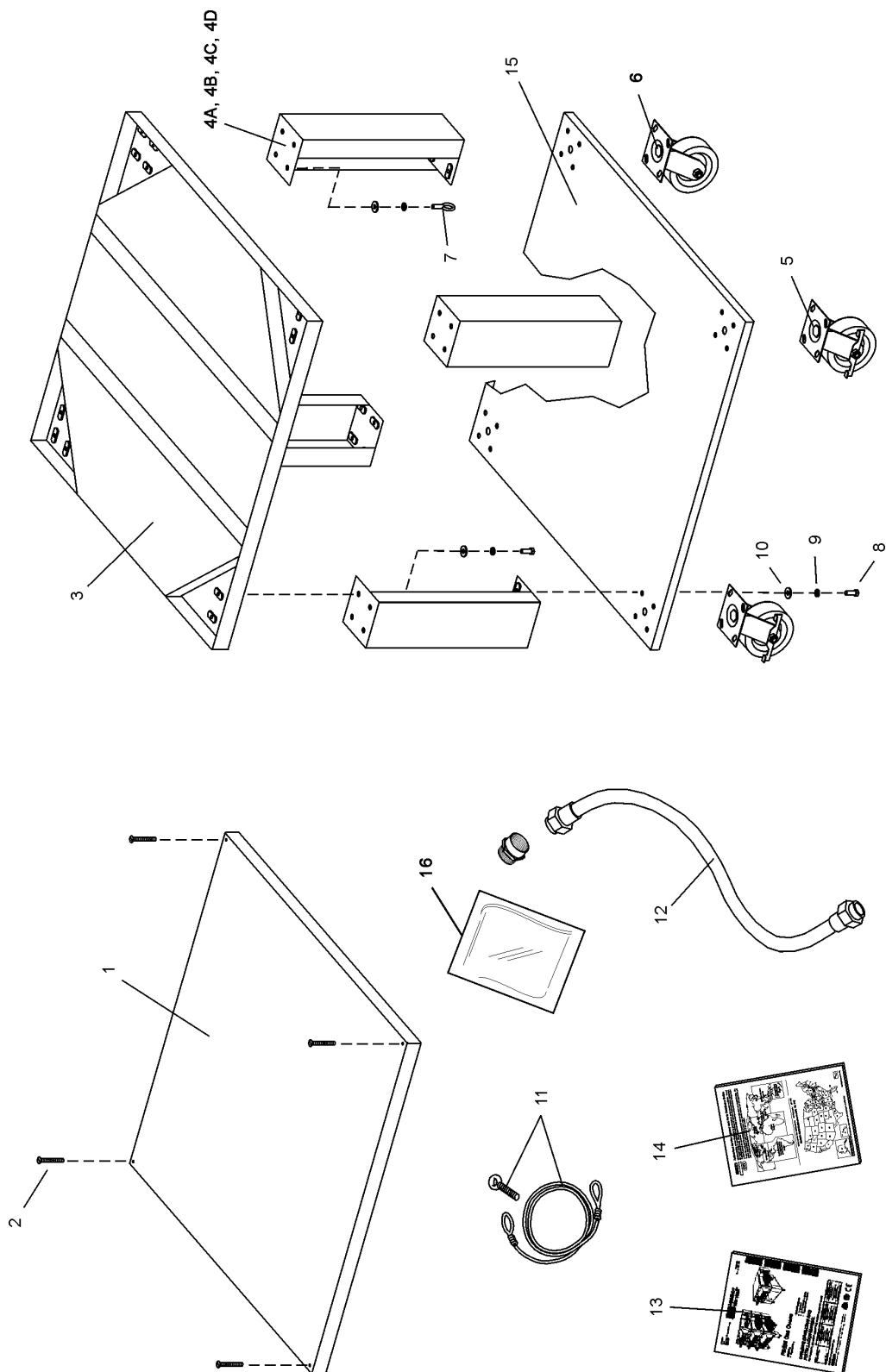


SECTION 5 - PARTS LIST



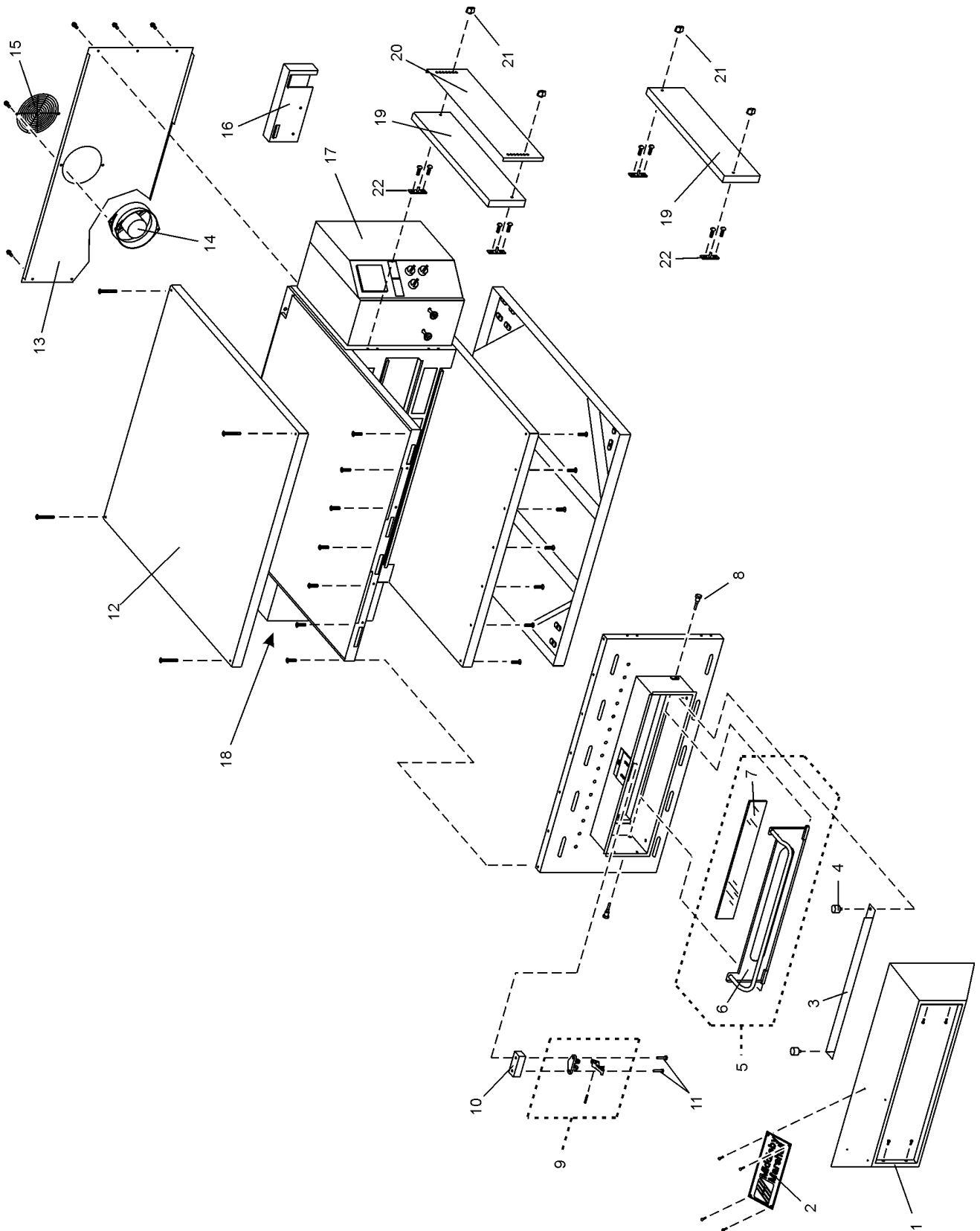
I. KEY SPARE PARTS KIT

ITEM	QTY.	P/N	DESCRIPTION
1	1	47321	DIGITAL TEMPERATURE CONTROLLER
2	1	51067	CONVEYOR DRIVE MOTOR W/PICKUP ASSY.
3	2	30153	DRIVE MOTOR BRUSHES
4	1	37337	KIT, CONVEYOR SPEED CONTROLER
5	1	33984	KIT, THERMOCOUPLE 6"
6	1	50517	BELT, BLOWER
7	1	44687	MOTOR, BLOWER, 208/230V, 1/2HP
8	1	33983	HIGH LIMIT CONTROL MODULE, 240V
9	1	36451	COOLING FAN (BACKWALL)
10	1	97525	COOLING FAN (CONTROL COMPARTMENT)
11	1	37498	AIR SWITCH
12	1	48455	IGNITOR
13	1	50249	COMBINATION GAS CONTROL VALVE (SAFETY REGULATOR)
14	1	41647	MODULATING GAS VALVE, M420, 1/2"
15	1	31651	AMPLIFIER BOARD
16	1	50239	IGNITION MODULE
17	1	50240	IGNITION CABLE, 25"



II. INSTALLATION KIT

ITEM	QTY. SINGLEOVEN	QTY. DOUBLEOVEN	QTY. TRIPLEOVEN	P/N	DESCRIPTION
1	1	1	1	48605	TOP PANEL
2	2	4	4	3A80A8801	SCREW, PAN HEAD #10 x 2"
3	1	1	1	42893	BASE PAD
4a	4	4	--	42890	17-1/2" (445mm) LEG EXTENSION, FOR SINGLE AND DOUBLE OVENS
4b	--	4	--	45360	20-1/2" (521mm) LEG EXTENSION, <i>OPTIONAL</i>
4c	--	4	--	45329	25-1/2" (648mm) LEG EXTENSION, <i>OPTIONAL</i>
4d	--	--	4	44799	6" (152mm) LEG EXTENSION, FOR TRIPLE OVENS
5	2	2	2	22290-0009	CASTER, WITH FLAT PLATE AND BRAKE
6	2	2	2	22290-0010	CASTER, WITH FLAT PLATE (NO BRAKE)
7	1	1	1	21392-0004	EYEBOLT, 3/4"
8	31	31	31	220373	HEX BOLT, 3/8"-16 x 1"
9	32	32	32	21416-0001	FLAT WASHER, 3/8"
10	32	32	32	21422-0001	LOCKWASHER, 3/8"
11	1	1	1	22450-0228	RESTRAINT CABLE ASSEMBLY
12	1	2	3	22361-0001	GAS HOSE, 3/4" to 1/2" <i>Gas hose reducer included with gas hose.</i>
13	1	1	1	50236	<i>OWNER'S OPERATING MANUAL, PS536 GAS OVENS</i>
14	1	1	1	1002040	<i>MIDDLEBY MARSHALL AUTHORIZED SERVICE AGENCY LISTING</i>
15	1	1	--	46393	LOWER SHELF
16	1	2	3	50276	KIT, LP



III. PANELS, END PLUGS AND WINDOW

ITEM	QTY.	P/N	DESCRIPTION
1	1	50172	WINDOW SHROUD
2	1	22500-0021	NAMEPLATE, "MIDDLEBY MARSHALL"
3	1	48437	HEAT GUARD PLATE
4	2	30927	BUMPER
5	1	48512	ASSEMBLY, WINDOW (INC. ITEMS 6-7)
6	1	47611	WINDOW FRAME WITH HANDLE
7	1	47837	WINDOW GLASS, PRE-CUT
8	2	34121-0003	PIVOT SCREW
9	1	49920	WINDOW LATCH ASSEMBLY
10	1	49921	SPACER BLOCK
11	2	18A1S19	SCREW, HEX HD 1/4"-20 X 1"
12	1	48605	TOP PANEL

ITEM	QTY.	P/N	DESCRIPTION
13	1	47633	BACK WALL
14	1	36451	COOLING FAN
15	1	31497	FINGER GUARD, COOLING FAN
16	1	<i>See pp. 36-39</i>	CHAIN COVER, UPPER
17	1	49938	DOOR, CONTROL COMPARTMENT-FOR OVENS WITH RIGHT-SIDE CONTROLS
18	1	48687	DOOR, MACHINERY COMPARTMENT-FOR LEFT-SIDE
19a	2	43252	END PLUG, TOP
19b	2	43252	END PLUG, BOTTOM
20	2	42771	SLIDE, OUTER SIDE
21	8	36452	WING NUT, PLASTIC
22	8	45449	BRACKET, END PLUG MOUNTING

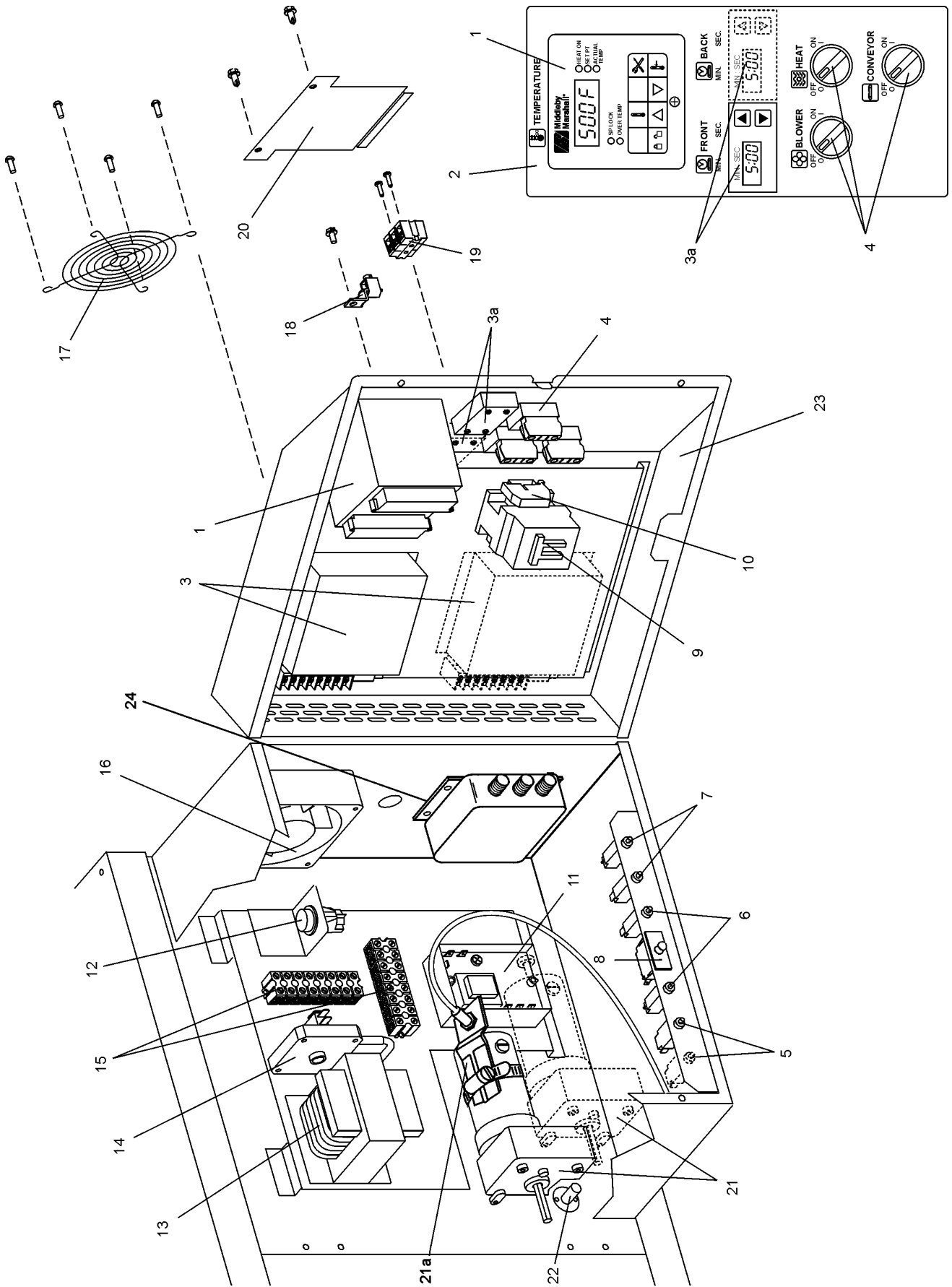
27

IIIa. PANELS, END PLUGS WITHOUT WINDOW

ITEM	QTY.	P/N	DESCRIPTION
2	1	22500-0021	NAMEPLATE, "MIDDLEBY MARSHALL"
11	2	18A1S19	SCREW, HEX HD 1/4"-20 X 1"
12	1	48605	TOP PANEL
13	1	47633	BACK WALL
14	1	36451	COOLING FAN
15	1	31497	FINGER GUARD, COOLING FAN
16	1	<i>See pp. 36-39</i>	CHAIN COVER, UPPER
17a	1	49938	DOOR, CONTROL COMPARTMENT-FOR OVENS WITH RIGHT-SIDE CONTROLS

ITEM	QTY.	P/N	DESCRIPTION
17b	1	<i>Not available</i>	DOOR, CONTROL COMPARTMENT-FOR OVENS WITH LEFT-SIDE CONTROLS
18a	1	48687	DOOR, MACHINERY COMPARTMENT-FOR OVENS WITH RIGHT-SIDE CONTROLS
18b	1	<i>Not available</i>	DOOR, MACHINERY COMPARTMENT-FOR OVENS WITH LEFT-SIDE CONTROLS
19a	2	43252	END PLUG, TOP
19b	2	43252	END PLUG, BOTTOM
20	2	42771	SLIDE, OUTER SIDE
21	8	36452	WING NUT, PLASTIC
22	8	45449	BRACKET, END PLUG MOUNTING

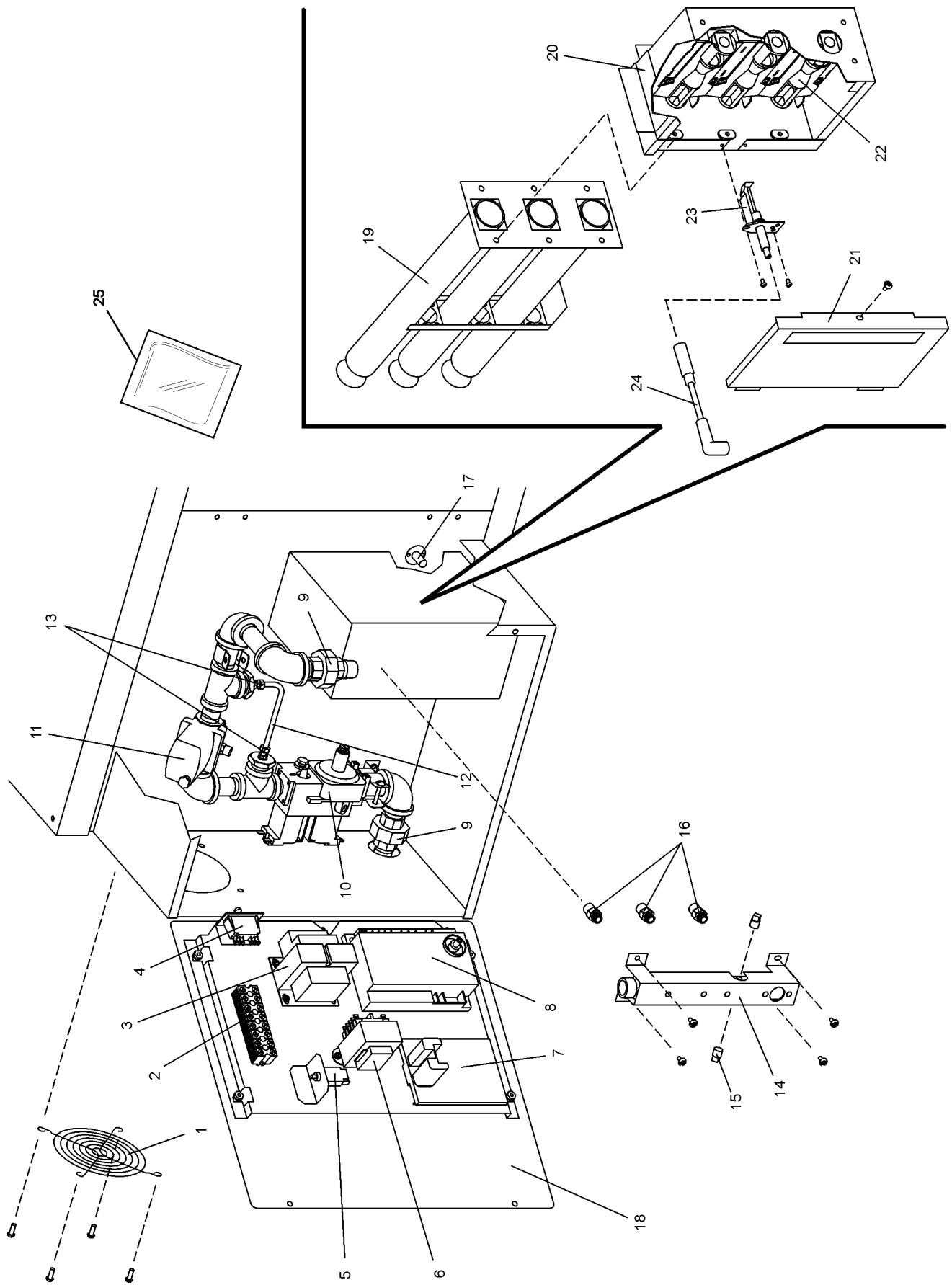
SECTION 5 - PARTS LIST



IV. CONTROL COMPARTMENT

ITEM	QTY. SINGLE BELT	QTY. SPLIT BELT	P/N	DESCRIPTION
1	1	1	47321	DIGITAL TEMPERATURE CONTROLLER
2	1	1	48511	DECAL, CONTROL PANEL
3	1	2	37337	KIT, CONVEYOR SPEED CONTROLLER WITH DIGITAL DISPLAY (INC. ITEM 3a)
3a	1	2	37503	DIGITAL DISPLAY ONLY
4	3	3	46521	KIT, SELECTOR SWITCH WITH KNOB AND CONTACT BLOCK
5	1	2	48635	CIRCUIT BREAKER, 0.3A (DRIVE MOTORS)
6	2	2	46831	CIRCUIT BREAKER, 8A (BLOWER MOTORS)
7	2	2	45036	CIRCUIT BREAKER, 3A (CONTROL CIRCUIT)
8	1	1	28021-0047	SAFETY SWITCH
9	1	1	28041-0011	CONTACTOR
10	2	2	33363	END STOP, CONTACTOR
11	1	1	33983	HIGH LIMIT CONTROL MODULE, 240V

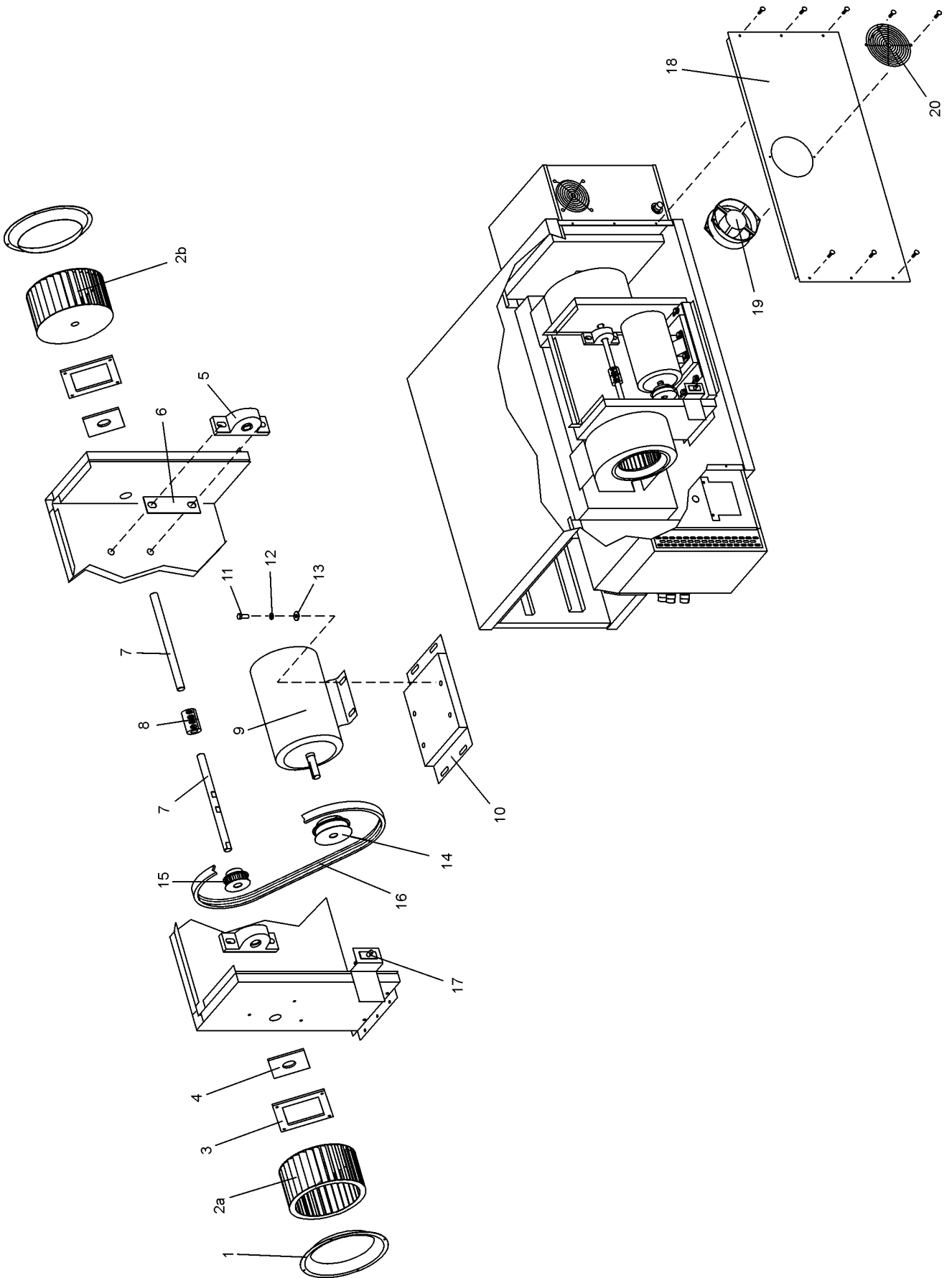
ITEM	QTY. SINGLE BELT	QTY. SPLIT BELT	P/N	DESCRIPTION
12	1	1	35145	RESET SWITCH, HIGH LIMIT
13	1	1	31504	TRANSFORMER, 230V PRI : 120V SEC, 200VA
14	1	1	37498	AIR SWITCH
15	2	2	31047	TERMINAL BLOCK, 8-POLE
16	1	1	97525	COOLING FAN, 230V
17	1	1	27470-0004	FINGER GUARD, COOLING FAN
18	1	1	F716A8701	GROUND LUG
19	1	1	44390	TERMINAL BLOCK, 3-POLE
20	1	1	49977	COVER PLATE, TERMINAL BLOCK ACCESS
21	1	2	51067	MOTOR, CONVEYOR DRIVE
21a	1	2	50163	PICKUP
22	1	1	33812-1	KIT, THERMOCOUPLE
23	1	1	49938	DOOR, CONTROL COMPARTMENT, FOR RIGHT-SIDE
24	1	1	33813	RFI FILTER



V. MACHINERY COMPARTMENT AND GAS TRAIN

ITEM	QTY.	P/N	DESCRIPTION
1	1	27470-0004	FINGER GUARD <i>NOTE: The oven does NOT have a cooling fan in this location. The opening provides passive cooling only.</i>
2	1	31047	TERMINAL BLOCK, 8-POLE
3	1	32108	TRANSFORMER, 240V PRI : 24V SEC, 65VA
4	1	28021-0047	SAFETY SWITCH
5	1	45644	CIRCUIT BREAKER, 1A
6	1	41872	TRANSFORMER, 240V PRI : 24V SEC, 25VA
7	1	31651	AMPLIFIER BOARD
8	1	50239	IGNITION MODULE
9	2	23051-0003	UNION, 1/2" PIPE
10	1	52291	COMBINATION GAS CONTROL VALVE (SAFETY REGULATOR)
11	1	41647	MODULATING GAS VALVE, M420, 1/2"
12	A/R	48740	TUBE, ALUMINUM, 1/4" (6.35mm) O.D. (BULK)
13	2	44888	COMPRESSION FITTING, 1/4" TUBE
14	1	49940	MANIFOLD
15	2	30002	TAP PLUG

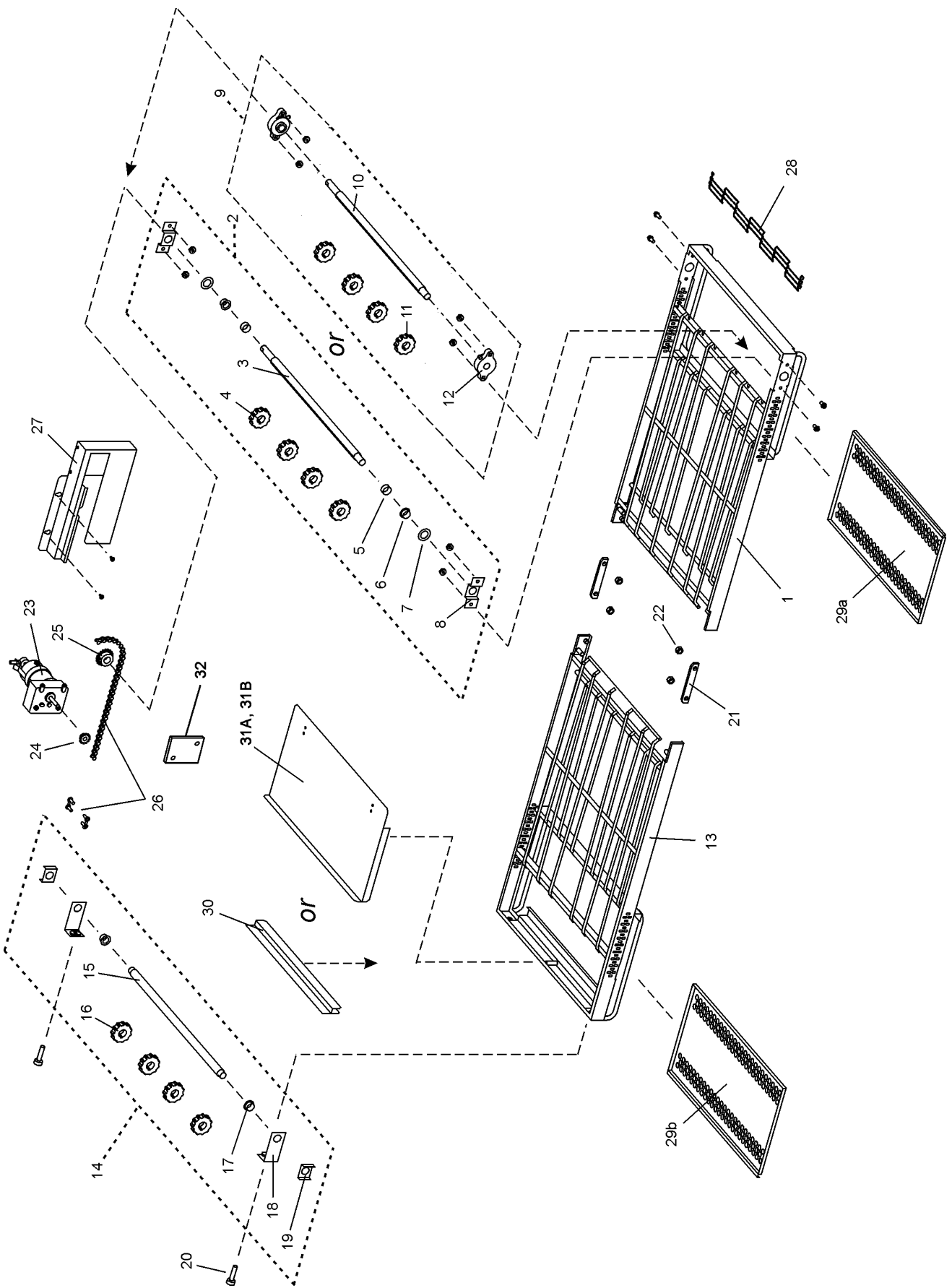
ITEM	QTY.	P/N	DESCRIPTION
16a	3	44984	ORIFICE, MAIN, NATURAL GAS 0.0935" (2.3749mm, #42 DRILL)
16b	3	47320	ORIFICE, MAIN, PROPANE 0.0595" (1.5113mm, #53 DRILL)
17	1	33812-1	KIT, THERMOCOUPLE
18	1	48687	DOOR, MACHINERY COMPARTMENT-FOR LEFT-SIDE
19	1	48489	ASSEMBLY, BURNER TUBES
20	1	49955	HOUSING, INSHOT BURNERS
21	1	47654	COVER PLATE, INSHOT BURNER HOUSING
22	3	44983	BURNER, INSHOT
23	1	48455	IGNITOR
24	1	50240	IGNITION CABLE, 25" (635mm)
25	1	50276	KIT, LP
NOT SHOWN:			
--	1	49951	ORIFICE, BYPASS, NATURAL GAS 0.0810" (2.0574mm, #46 DRILL)
--	1	49948	ORIFICE, BYPASS, PROPANE 0.0520" (1.3208mm, #55 DRILL)



VI. REAR COMPARTMENT AND BLOWERS

ITEM	QTY.	P/N	DESCRIPTION
1	2	42951	INLET RING
2a	1	42752	BLOWER WHEEL, RIGHT (VIEWED FROM REAR OF OVEN)
2b	1	42753	BLOWER WHEEL, LEFT (VIEWED FROM REAR OF OVEN)
3	2	42999	RETAINER, TEFLON SEAL
4	2	35121-0045	TEFLON SEAL
5	2	22072-0025	BEARING, 5/8" BORE WITH STANDARD GREASE
--	--	17110-0015	GREASE, MM STANDARD CARTRIDGE
6	2	50160	GASKET, BEARING
7	2	50151	BLOWER SHAFT
8	1	44748	COUPLING, BLOWER SHAFT
9	1	44687	MOTOR, BLOWER, 208/230V, 1/2HP
10	1	44688	PLATE, MOTOR MOUNTING

ITEM	QTY.	P/N	DESCRIPTION
11	4	A11687	SCREW, HEX CAP HEAD 5/16"-18 X 7/8"
12	4	B301A8847	FLAT WASHER, 5/16"
13	4	A3682	LOCK WASHER, 5/16"
14	1	50256	KIT, RPM, (50/60Hz) CONTAINS SHEAVE (50260) WITH BUSHING (50259)
15	1	50224	PULLEY, BLOWER SHAFT
16	1	50517	BELT, (50/60Hz)
17	1	28021-0061	SAFETY SWITCH
18	1	47633	BACK WALL
19	1	36451	COOLING FAN
20	1	31497	FINGER GUARD, COOLING FAN



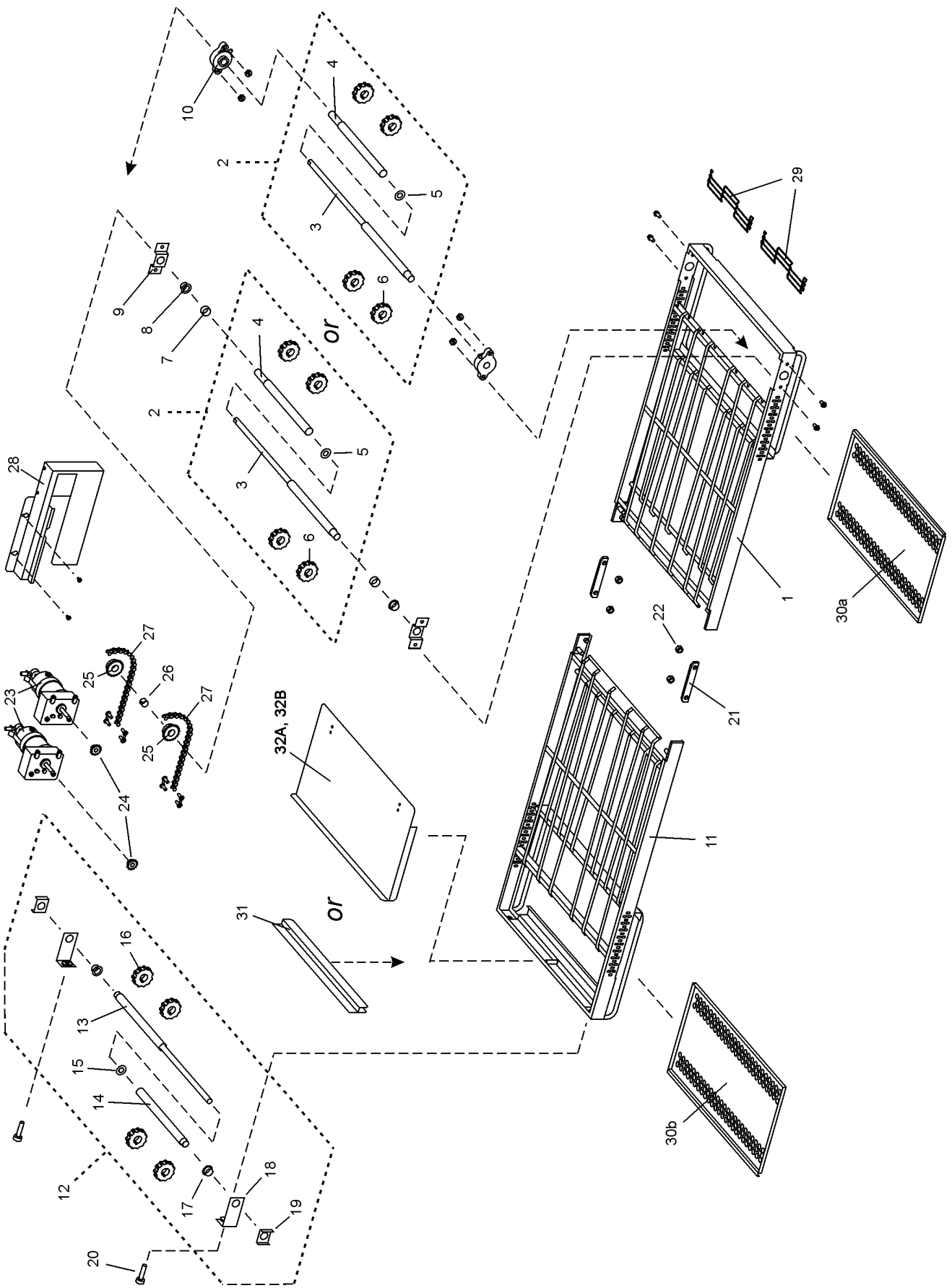
VII. SINGLE-BELT CONVEYORS

ITEM QTY.	P/N - 60" CONVEYOR	P/N - 56" CONVEYOR	P/N - 76" CONVEYOR	DESCRIPTION	
1	1	48847	48847	48790	FRAME, DRIVESIDE
2	1	< - - - -	48797	- - - - >	ASSEMBLY, STANDARD DRIVE SHAFT (INC. ITEMS 3-8)
3	1	< - - - -	48781	- - - - >	DRIVE SHAFT
4	4	< - - - -	22229-0003	- - - - >	SPROCKET, CONV. BELT
5	2	< - - - -	43275	- - - - >	SPACER
6	2	< - - - -	22034-0003	- - - - >	BUSHING, BRONZE 5/8" I.D.
7	2	< - - - -	35000-1080	- - - - >	SPACER, NYLON
8	2	< - - - -	49972	- - - - >	BRACKET, DRIVE SUPPORT
9	1	< - - - -	48782	- - - - >	ASSEMBLY, HIGH SPEED DRIVE SHAFT (INC. ITEMS 10-11)
10	1	< - - - -	48781	- - - - >	DRIVE SHAFT
11	4	< - - - -	22229-0003	- - - - >	SPROCKET, CONV. BELT
12	2	< - - - -	45377	- - - - >	FLANGE BEARING (HIGH SPEED ONLY)
13	1	48746	48784	48795	FRAME, IDLER SIDE
14	1	48780	50032	48780	ASSEMBLY, IDLER SHAFT (INC. ITEMS 15-19)
15	1	< - - - -	48779	- - - - >	IDLER SHAFT
16	4	< - - - -	22229-0003	- - - - >	SPROCKET, CONV. BELT
17	2	< - - - -	22034-0003	- - - - >	BUSHING, BRONZE 5/8" I.D.
18	2	37000-0413	50033	37000-0413	BRACKET, IDLER ADJUSTMT.
19	2	< - - - -	35900-0020	- - - - >	BRACKET, IDLER SUPPORT
20	2	35000-1008	50028	35000-1008	SCREW, IDLER ADJUSTMENT
21	2	< - - - -	35900-0398	- - - - >	PIVOT PLATE
22	4	< - - - -	21176-0002	- - - - >	LOCKNUT, HEX 3/8"-16 SS

ITEM QTY.	P/N - 60" CONVEYOR	P/N - 56" CONVEYOR	P/N - 76" CONVEYOR	DESCRIPTION	
23	1	< - - - -	51067	- - - - >	ASSEMBLY, CONVEYOR MOTOR AND PICKUP (INC. ITEM 23a)
23a	1	< - - - -	50163	- - - - >	PICKUP
24a	1	< - - - -	34128	- - - - >	SPROCKET, CONVEYOR DRIVE MOTOR, 20T (STANDARD)
25	1	< - - - -	22159-0003	- - - - >	SPROCKET, CONVEYOR DRIVE SHAFT, 20T
26	1	50050	50050	50052	ASSEMBLY, DRIVE CHAIN (INC. ITEM 26a)
26a	1	< - - - -	3101212	- - - - >	MASTER LINK, DRIVE CHAIN
27a	1	48851	48851	50029	ASSEMBLY, CHAIN COVER-FOR OVENS WITH RIGHT-SIDE CONTROLS
27b	1	< --- Not available --- >			ASSEMBLY, CHAIN COVER-FOR OVENS WITH LEFT-SIDE CONTROLS
28a	1	50057	50055	50059	BELT, CONVEYOR, 18"/457mm, STANDARD
28b	1	50057	50055	50059	BELT, CONVEYOR, 18"/457mm, HIGH SPEED
29a	1	48707	48706	48708	CRUMB PAN, DRIVE SIDE
29b	1	48707	48707	48708	CRUMB PAN, IDLER SIDE
30	1	50044	50044	50044	END STOP (STD. ON 76" CONVEYOR, OPT. ON 60" & 56")
31a	1	50040	50040	50040	EXIT TRAY, 8"/203mm (STD. ON 60" & 56" CONVEYORS, OPT. ON 76")
31b	1	50023	50023	50023	EXIT TRAY, 20"/508mm (OPT. ON ALL CONVEYORS)
32	1	50235	50235	50235	PLATE MOTOR COVER ASSY

35

SECTION 5 - PARTS LIST



VIII. SPLIT-BELT CONVEYORS

ITEM QTY.	P/N - 60" CONVEYOR	P/N - 56" CONVEYOR	P/N - 76" CONVEYOR	DESCRIPTION	
1	1	48847	48847	48790	FRAME, DRIVESIDE
2	1	< - - - -	48759	- - - - >	ASSEMBLY, SPLIT DRIVE SHAFT, STANDARD AND HIGH SPEED (INC. ITEMS 3-6)
3	1	< - - - -	49969	- - - - >	SPLIT DRIVE SHAFT - MAIN
4	1	< - - - -	48837	- - - - >	SPLIT DRIVESHAFT - SLEEVE
5	1	< - - - -	21415-0001	- - - - >	FLAT WASHER, BRONZE
6	4	< - - - -	22229-0003	- - - - >	SPROCKET, CONV. BELT
7	2	< - - - -	43275	- - - - >	SPACER (STANDARD ONLY)
8	2	< - - - -	22034-0003	- - - - >	BUSHING, BRONZE 5/8" I.D. (STANDARD ONLY)
9	2	< - - - -	49972	- - - - >	BRACKET, DRIVE SUPPORT (STANDARD ONLY)
10	2	< - - - -	45377	- - - - >	FLANGE BEARING (HIGH SPEED ONLY)
11	1	48746	48784	48795	FRAME, IDLER SIDE
12	1	48769	50035	48769	ASSEMBLY, SPLIT IDLER SHAFT (INC. ITEMS 13-19)
13	1	< - - - -	49968	- - - - >	SPLIT IDLER SHAFT - MAIN
14	1	< - - - -	48778	- - - - >	SPLIT IDLER SHAFT - SLEEVE
15	1	< - - - -	21415-0001	- - - - >	FLAT WASHER, BRONZE
16	4	< - - - -	22229-0003	- - - - >	SPROCKET, CONV. BELT
17	2	< - - - -	22034-0003	- - - - >	BUSHING, BRONZE 5/8" I.D.
18	2	37000-0413	50033	37000-0413	BRACKET, IDLER ADJUSTMT.
19	2	< - - - -	35900-0020	- - - - >	BRACKET, IDLER SUPPORT
20	2	35000-1008	50028	35000-1008	SCREW, IDLER ADJUSTMENT
21	2	< - - - -	48755	- - - - >	PIVOT PLATE
22	4	< - - - -	21176-0002	- - - - >	LOCKNUT, HEX 3/8"-16 SS

ITEM QTY.	P/N - 60" CONVEYOR	P/N - 56" CONVEYOR	P/N - 76" CONVEYOR	DESCRIPTION	
23	2	< - - - -	51067	- - - - >	ASSEMBLY, CONVEYOR MOTOR AND PICKUP (INC. ITEM 23a)
23a	1	< - - - -	50163	- - - - >	PICKUP
24	2	< - - - -	34128	- - - - >	SPROCKET, CONVEYOR DRIVE MOTOR, 20T (STANDARD)
25	2	< - - - -	22159-0003	- - - - >	SPROCKET, CONVEYOR DRIVE SHAFT, 20T (STANDARD AND HIGH SPEED)
26	1	< - - - -	35900-0023	- - - - >	BUSHING, DRIVE SPROCKET
27a	1	50050	50050	50053	ASSEMBLY, DRIVE CHAIN, REAR BELT (LONG - INC. ITEM 27c)
27b	1	50051	50051	50052	ASSEMBLY, DRIVE CHAIN, FRONT BELT (SHORT - INC. ITEM 27c)
27c	1	< - - - -	3101212	- - - - >	MASTER LINK, DRIVE CHAIN
28	1	48851	48851	50029	ASSEMBLY, CHAIN COVER
29a	2	50056	50054	50058	BELT, CONVEYOR, 9"/229mm, STANDARD
29b	2	50056	50054	50058	BELT, CONVEYOR, 9"/229mm, HIGH SPEED
30a	1	48707	48707	48708	CRUMB PAN, DRIVE SIDE
30b	1	48707	48706	48708	CRUMB PAN, IDLER SIDE
31		50044	50044	50044	END STOP (STD. ON 76" CONVEYOR, OPT. ON 60" & 56")
32a	1	50040	50040	50040	EXIT TRAY, 8"/203mm (STD. ON 60" & 56" CONVEYORS, OPT. ON 76")
32b	1	50023	50023	50023	EXIT TRAY, 20"/508mm (OPT. ON ALL CONVEYORS)

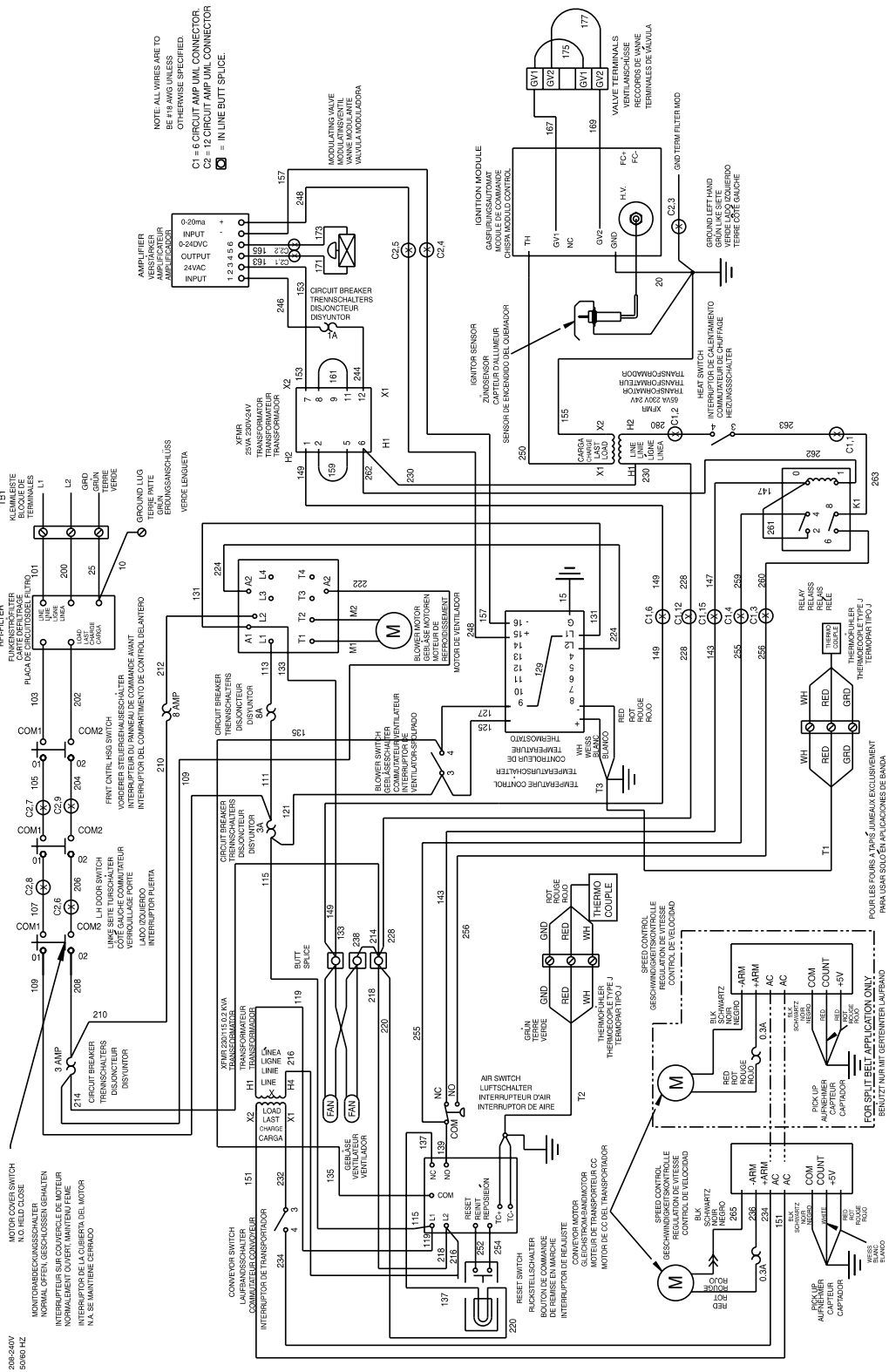
37

SECTION 5 - PARTS LIST

NOTES

SECTION 6 - ELECTRICAL WIRING DIAGRAMS

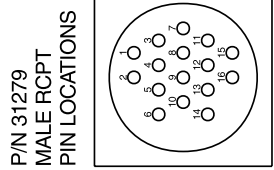
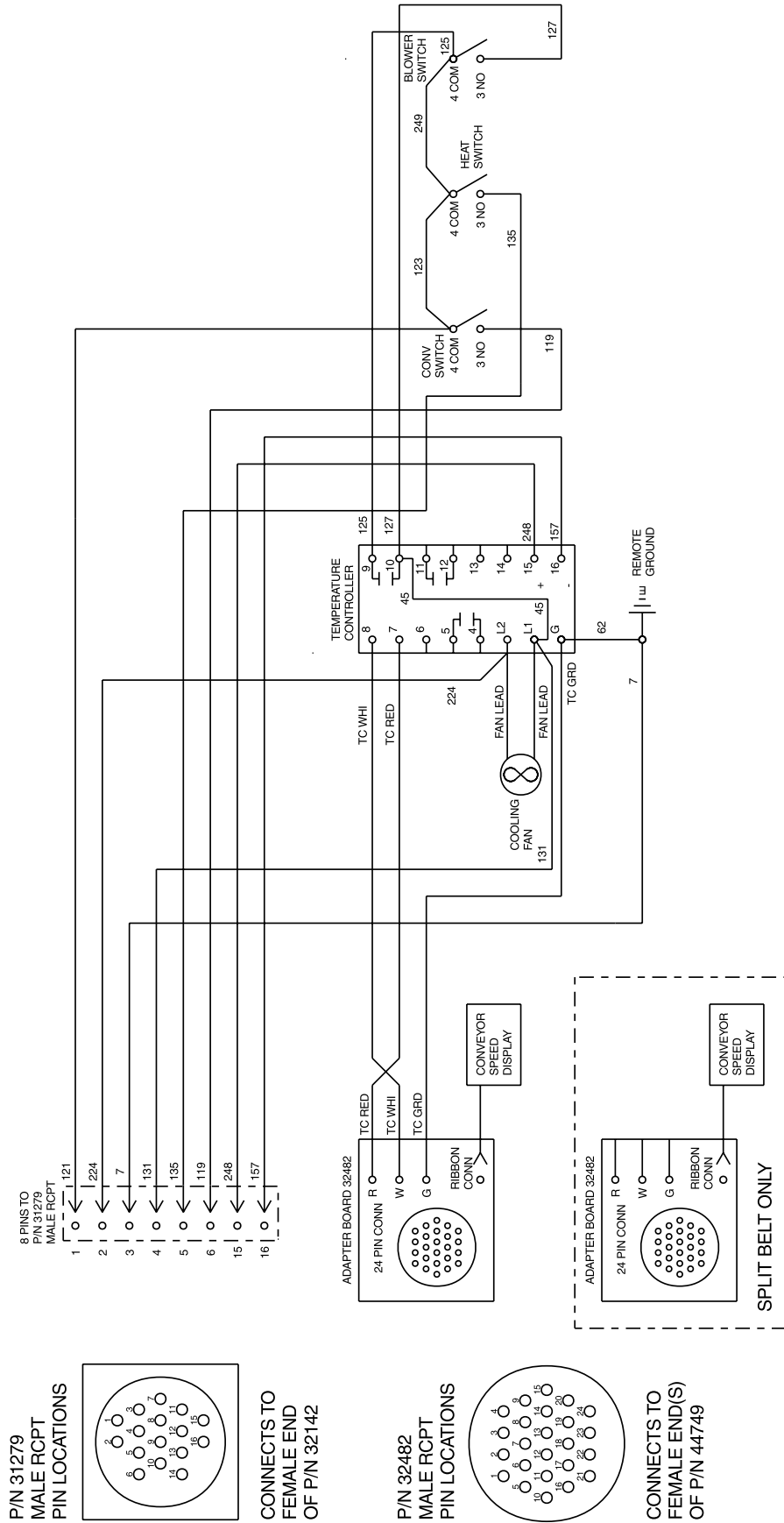
**Fig. 6-1 - Wiring diagram, PS536GS Gas Oven
208/240V, 50/60 Hz, 1 Ph**



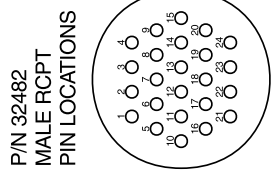
IMPORTANT

An electrical wiring diagram for the oven is also located inside the machinery compartment.

**Fig. 6-2 - Wiring diagram, PS536GS Gas Oven
208/240V, 50/60 Hz, 1 Ph**

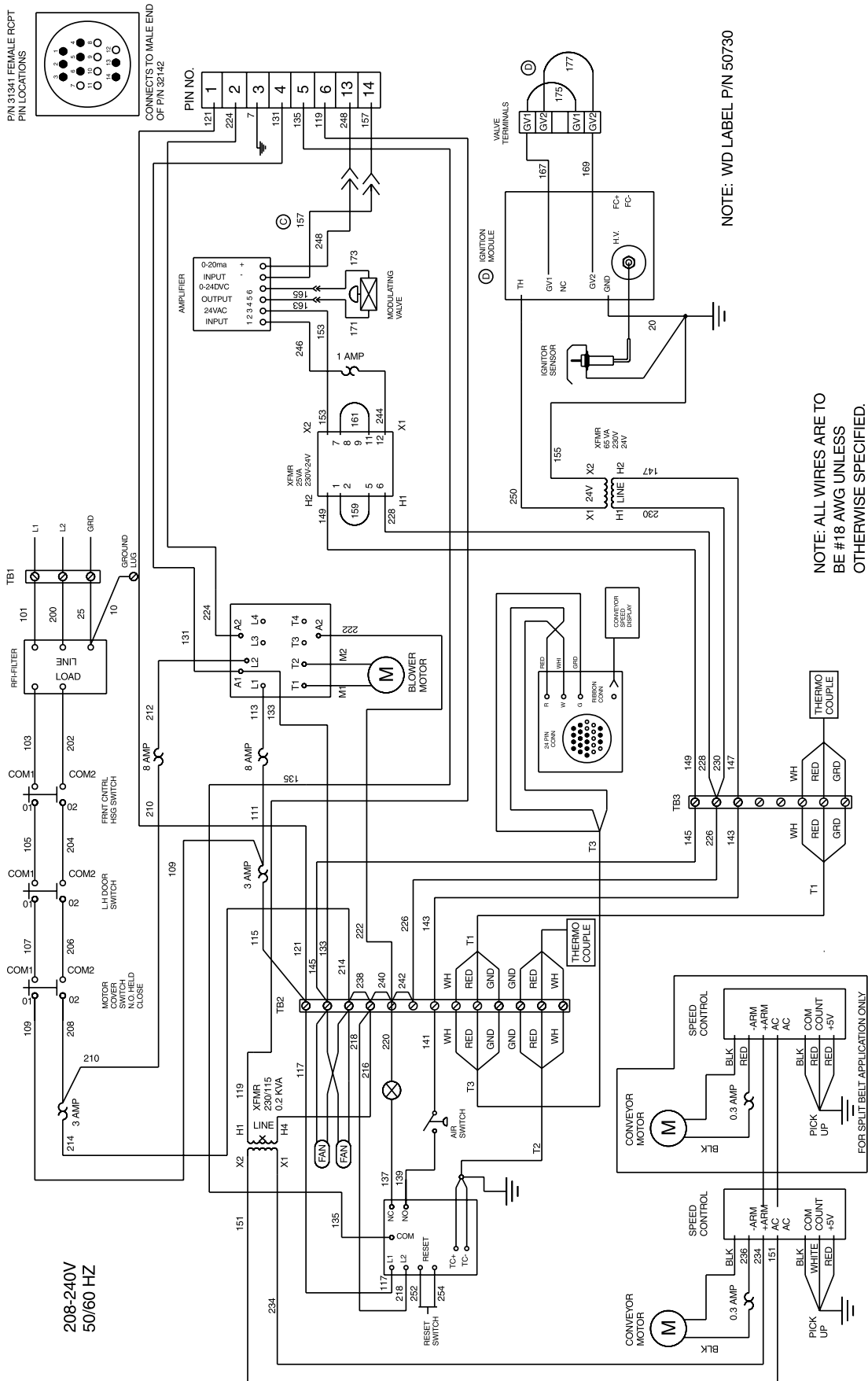


CONNECTS TO
FEMALE END
OF P/N 32142



CONNECTS TO
FEMALE END(S)
OF P/N 44749

**Fig. 6-3 - Wiring diagram, PS536GS Gas Oven
208/240V, 50/60 Hz, 1 Ph**



NOTES

NOTES

WARNING

Improper installation, adjustment, alteration, service or maintenance can cause property damage, injury or death. Read the installation, operating and maintenance instructions thoroughly before installing or servicing this equipment.

NOTICE

During the warranty period, ALL parts replacement and servicing should be performed by your Middleby Marshall Authorized Service Agent. Service that is performed by parties other than your Middleby Marshall Authorized Service Agent may void your warranty.

NOTICE

Using any parts other than genuine Middleby Marshall factory manufactured parts relieves the manufacturer of all warranty and liability.

NOTICE

Middleby Marshall reserves the right to change specifications at any time.



Commercial Food Equipment Service Association

Middleby is proud to support the Commercial Food Equipment Service Association (CFESA). We recognize and applaud CFESA's ongoing efforts to improve the quality of technical service in the industry.

Middleby Cooking Systems Group • 1400 Toastmaster Drive • Elgin, IL 60120 • USA • (847)741-3300 • FAX (847)741-4406

24-Hour Service Hotline: 1-(800)-238-8444

www.middleby.com



Free Manuals Download Website

<http://myh66.com>

<http://usermanuals.us>

<http://www.somanuals.com>

<http://www.4manuals.cc>

<http://www.manual-lib.com>

<http://www.404manual.com>

<http://www.luxmanual.com>

<http://aubethermostatmanual.com>

Golf course search by state

<http://golfingnear.com>

Email search by domain

<http://emailbydomain.com>

Auto manuals search

<http://auto.somanuals.com>

TV manuals search

<http://tv.somanuals.com>