



Room Air Conditioner

SVC MANUAL(Exploded View)

MODEL : AS-W1838*H0 (LAN185HV / LAU185HV)
AS-W2438*H0 (LAN245HV / LAU245HV)

CAUTION

Before Servicing the unit, read the safety precautions in General SVC manual.
Only for authorized service personnel.

1. Specification

Models		AS-W1838RH0 [LA185HV]	AS-W2438RH0 [LA245HV]
Cooling Capacity		1.76~5.28~5.80	3.87~7.03~7.74
	kW		
	Btu/h.	6,005~18,000~19,790	13,200~24,000~26,400
Heating Capacity		1.40~6.07~6.65	3.37~8.09~8.88
	kW		
	Btu/h.	4,776~20,700~22,690	11,500~27,600~30,300
Power Input	Cooling/Heating	1,640/1,770	2,450/2,900
Running Current	Cooling/Heating	A	11.0/13.0
Starting Current	Cooling/Heating	A	11.0/13.0
EER		W/W	3.22
		Btu/h.W	11.0
COP		W/W	3.43
Power Supply		∅ / V / Hz	1/208-230/60
Power Factor		%	98
Air Flow Rate	Indoor.Max	m3/min(CFM)	18.5(650)
	Outdoor.Max	m3/min(CFM)	42(1,483)
Moisture Removal		l/h.	2.1
Sound Level	Indoor,H/ML	dB(A)+3	40/38/34
	Outdoor.Max	dB(A)+3	53
Refrigerant & Additional	Charge (at 7.5 m)	g(oz)	R410A, 1,200(42)
Compressor	Refrigerant charge	g/m(oz/ft)	20(0.22)
	Type		Rotary
	Model		5CS130XCA03
	Motor Type		BLDC
	Oil Type		RB68A
	Oil Charge	cc	360
	O.L.P. name		-
Fan(Indoor)	Type		Cross Flow Fan
	Motor Output	W	20
Fan(Outdoor)	Type		Propeller
	Motor Type		AC Induction
	Motor Output	W	79
Circuit Breaker*		A	20
Power Supply Cable		AWG	14
Power and Transmission	Cable No.*mm2+	AWG	18
Piping Connections	Liquid Side	mm(in)	6.35(1/4)
	Gas Side	mm(in)	12.7(1/2)
Drain Hose	O.D., I.D.	mm(in)	21.5, 16(0.85, 0.63)
Dimensions	Indoor (W*H*D)	mm	1,107*299*200
		inch	43.6*11.8*7.9
	Outdoor (W*H*D)	mm	870*655*320
		inch	34.3*25.8*12.6
Net Weight	Indoor	kg(lbs)	14.1(31.1)
	Outdoor	kg(lbs)	46(101.4)
Operation Range	Cooling(Outdoor)	°C(°F)	-10 ~ 46 (14.0~114.8)(Low Ambient)
	Heating(Outdoor)	°C(°F)	-10 ~ 24 (14.0 ~ 75.2)
Max. Piping Length		m(ft)	15(49)
Max. Elevation Difference		m(ft)	7(23)
Tool Code(Chassis)	Indoor + Outdoor		S8 + UE
Functions	Temperature Control		Thermistor
	Plasma Filter		NEO
	Prefilter(washable/anti-fungus)		O
	Auto Clean		O
	CHAOS Wind(Auto Wind)		O
	Steps, Fan/Cool/Heat		3/4/4
	Airflow Direction Control(up & Down)		Auto
	Airflow Direction Control(left & right)		Auto
	Remote Controller Type		Wireless LCD
	Setting Temperature Range	Cooling	18 ~ 30 (64~86)
		Heating	16 ~ 30 (60~86)
	Auto Operation (Micom Control)		-
	Auto Changeover (Micom Control)		O
	Self Diagnosis		O
	Timer		24h On/Off
	Sleep Operation		O
	Soft Dry Operation		O
	Restart Delay(minute)		2
	Deice Control(Defrost)		O
	Hot Start		O
	Jet Cool / Heat		O
	Low Ambient Operation		O
	Special Function		-
Network Functions	Dry Contact		-
	Network Solution		-
	PI485		-

Note:

O : Applied, - : No relation

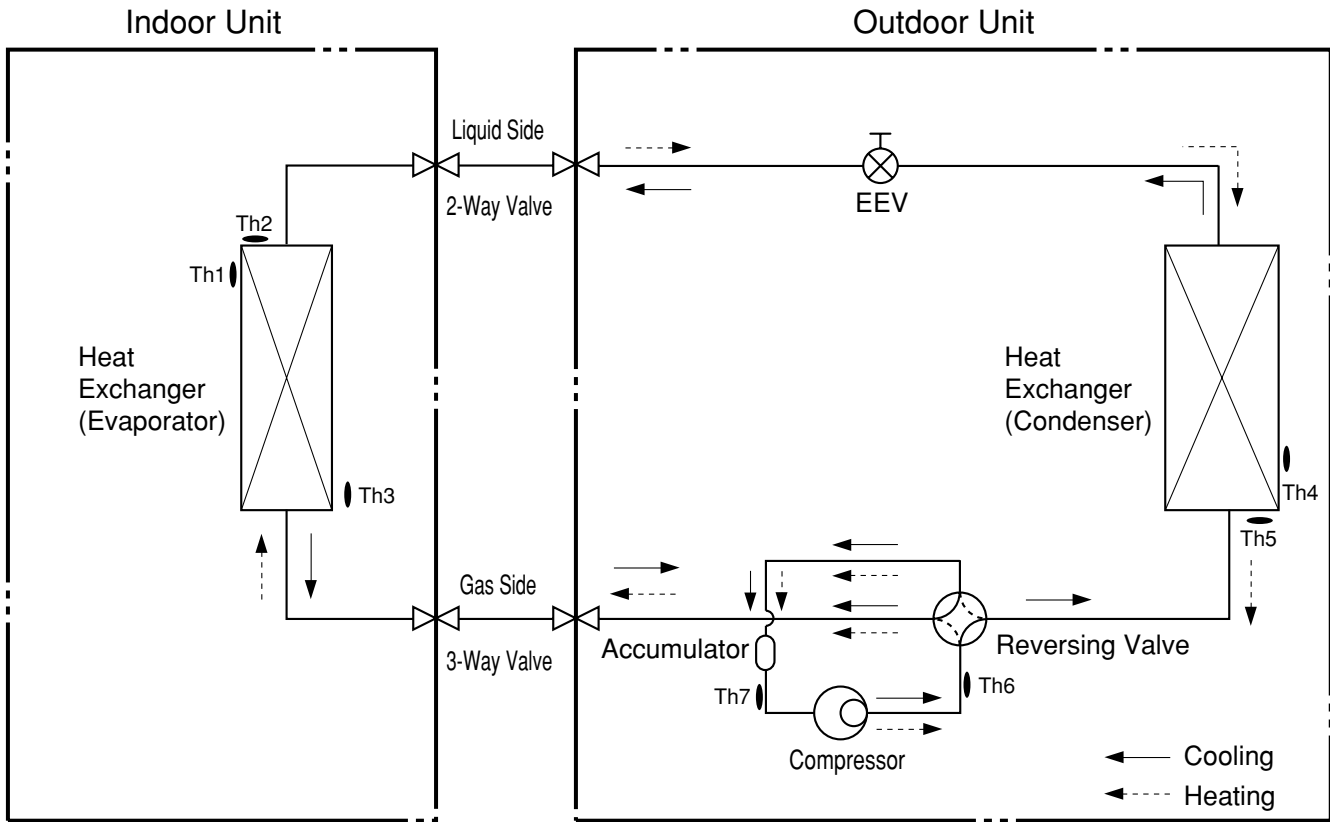
* For circuit breaker rating, please conform to local standards wherever necessary.

* Some of functions are slightly different depending upon models.

* The specification may be subject to change without prior notice for purpose of improvement.

* Capacity : based on 230V

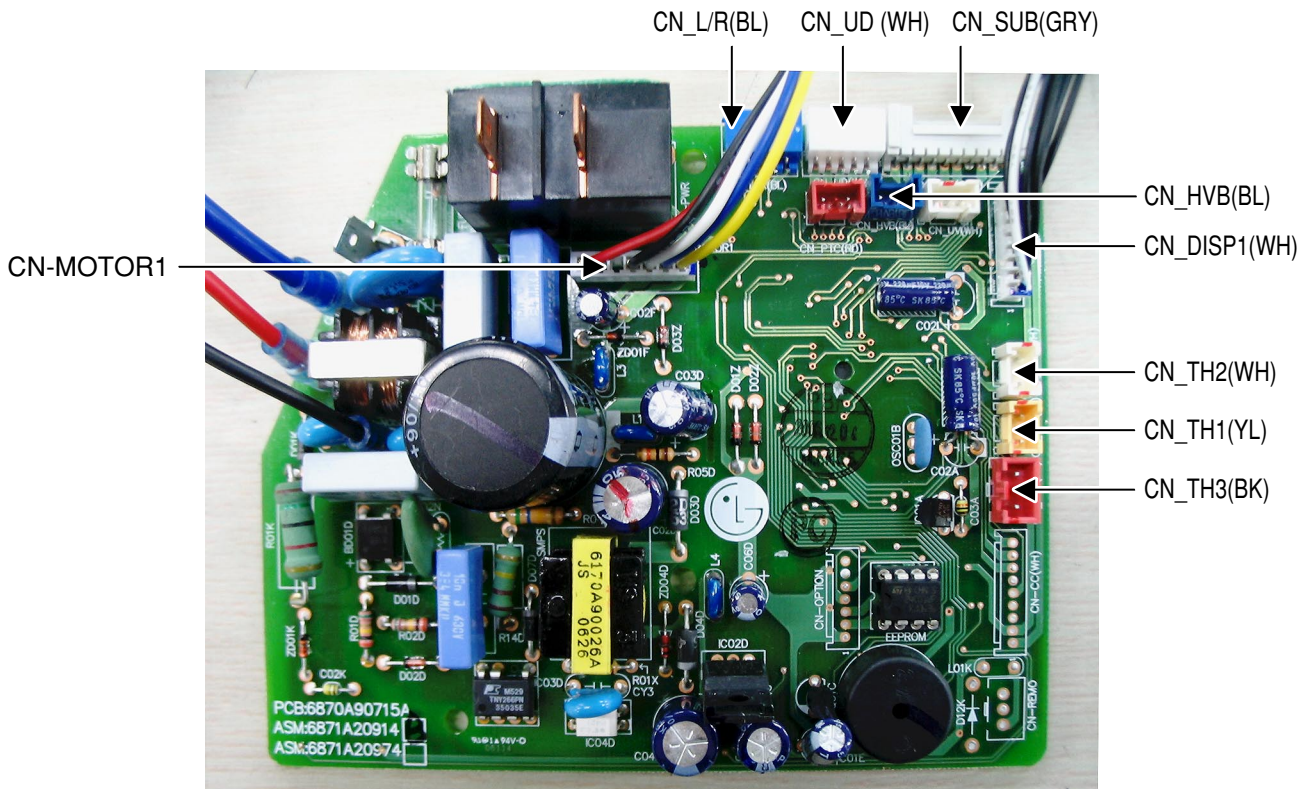
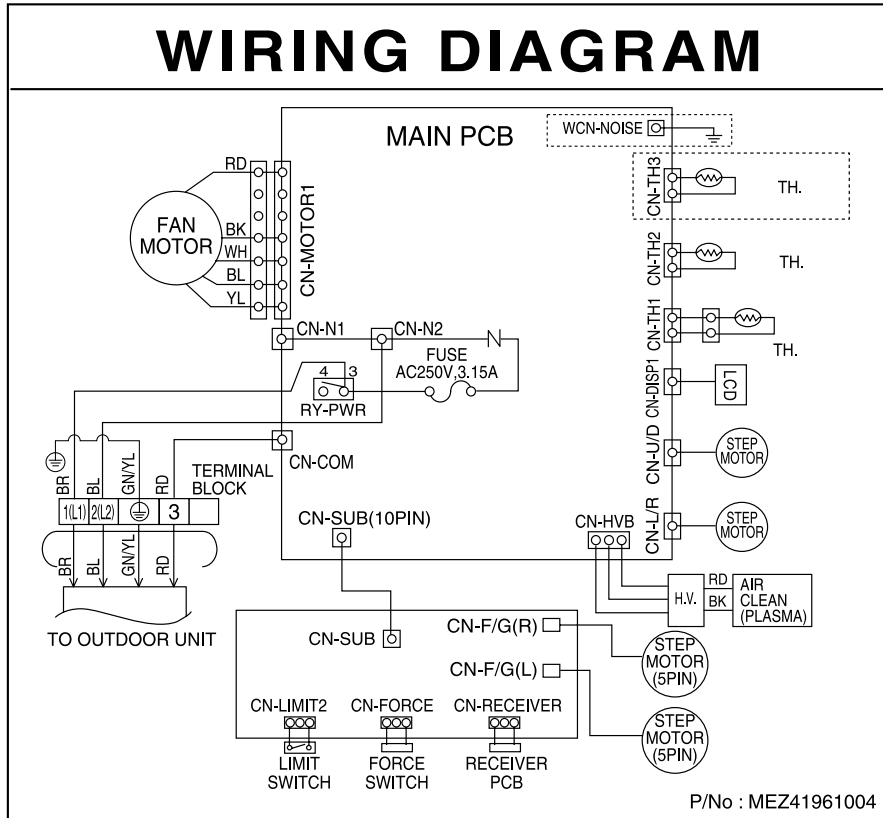
2. Piping Diagrams



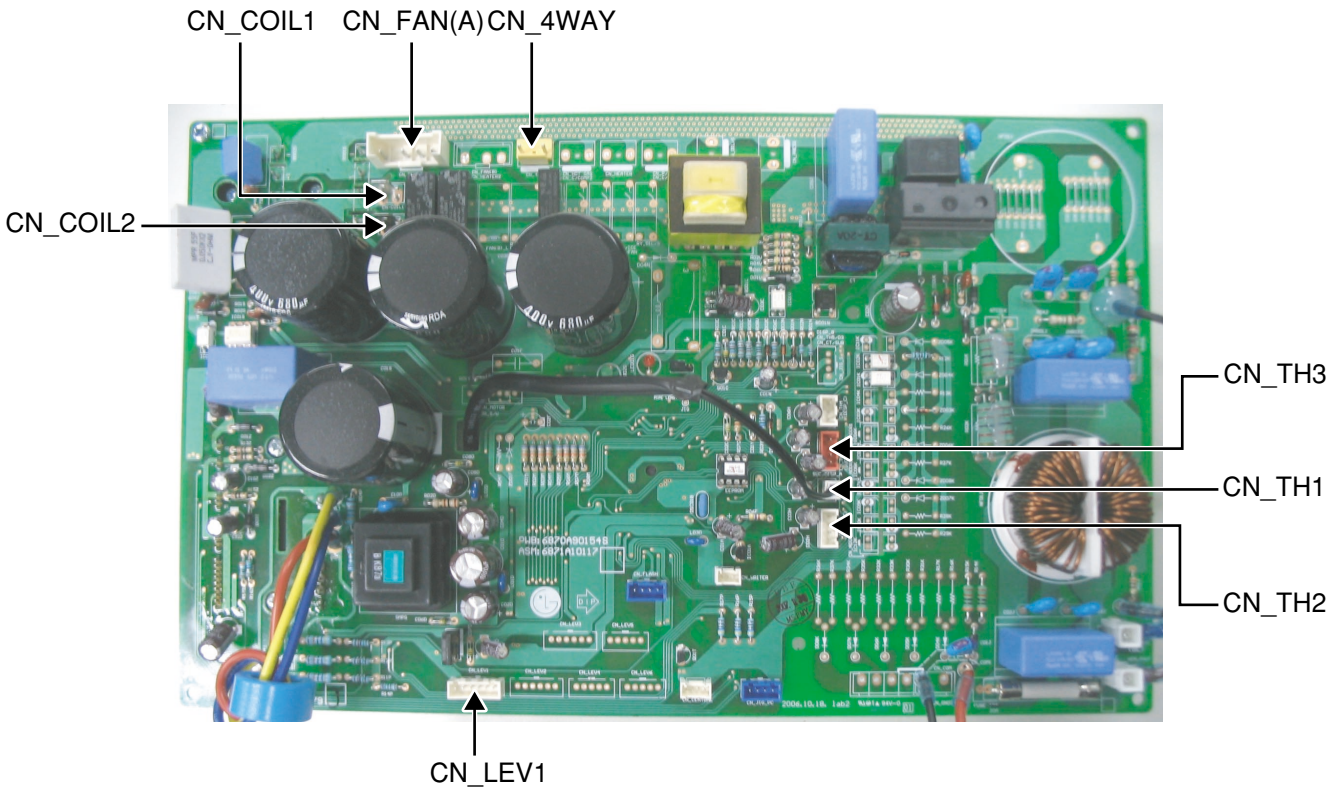
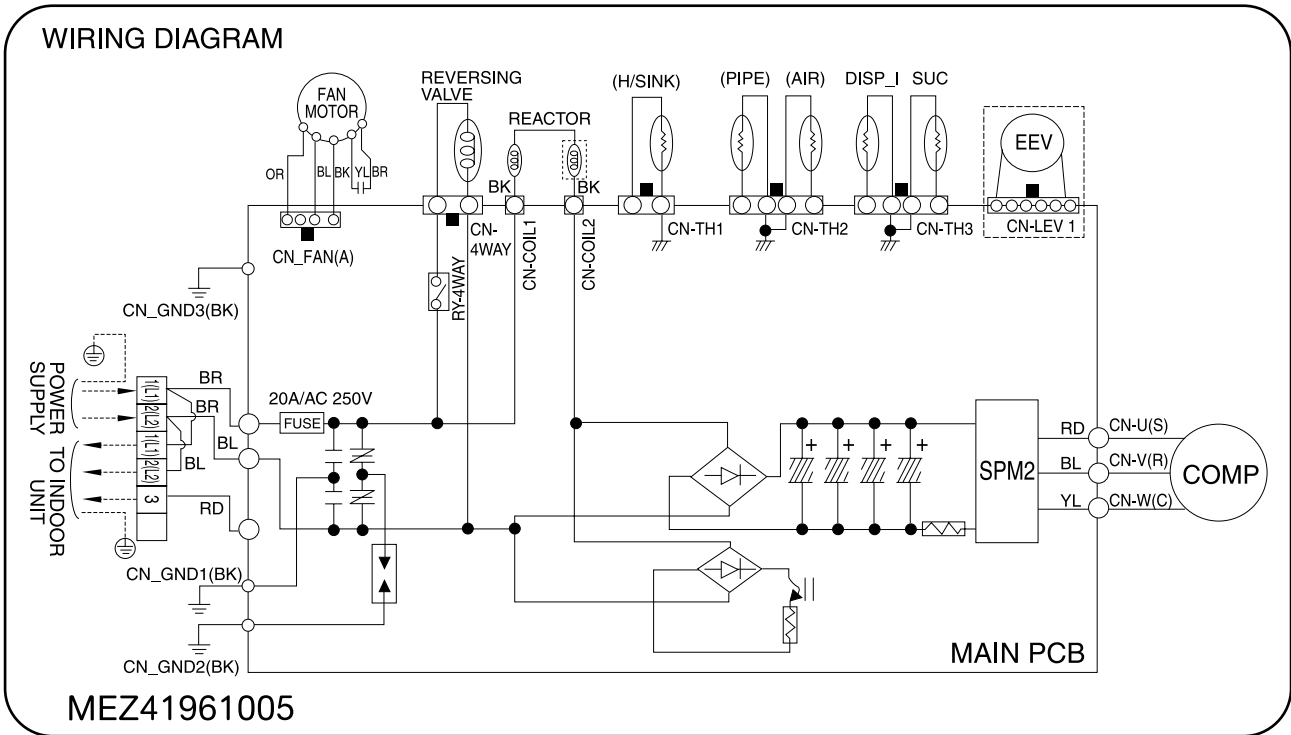
LOC.	Description	PCB Connector
Th1	Thermistor for indoor air temperature	CN_TH1(INDOOR)
Th2	Thermistor for evaporating temperature	CN_TH2(INDOOR)
Th3		CN_TH3(INDOOR)
Th4	Thermistor for outdoor air temperature	CN_TH2(OUTDOOR)
Th5	Thermistor for condensing temperature	
Th6	Thermistor for discharge pipe temperature	CN_TH3(OUTDOOR)
Th7	Thermistor for suction pipe temperature	

3. Wiring Diagrams

Indoor Unit

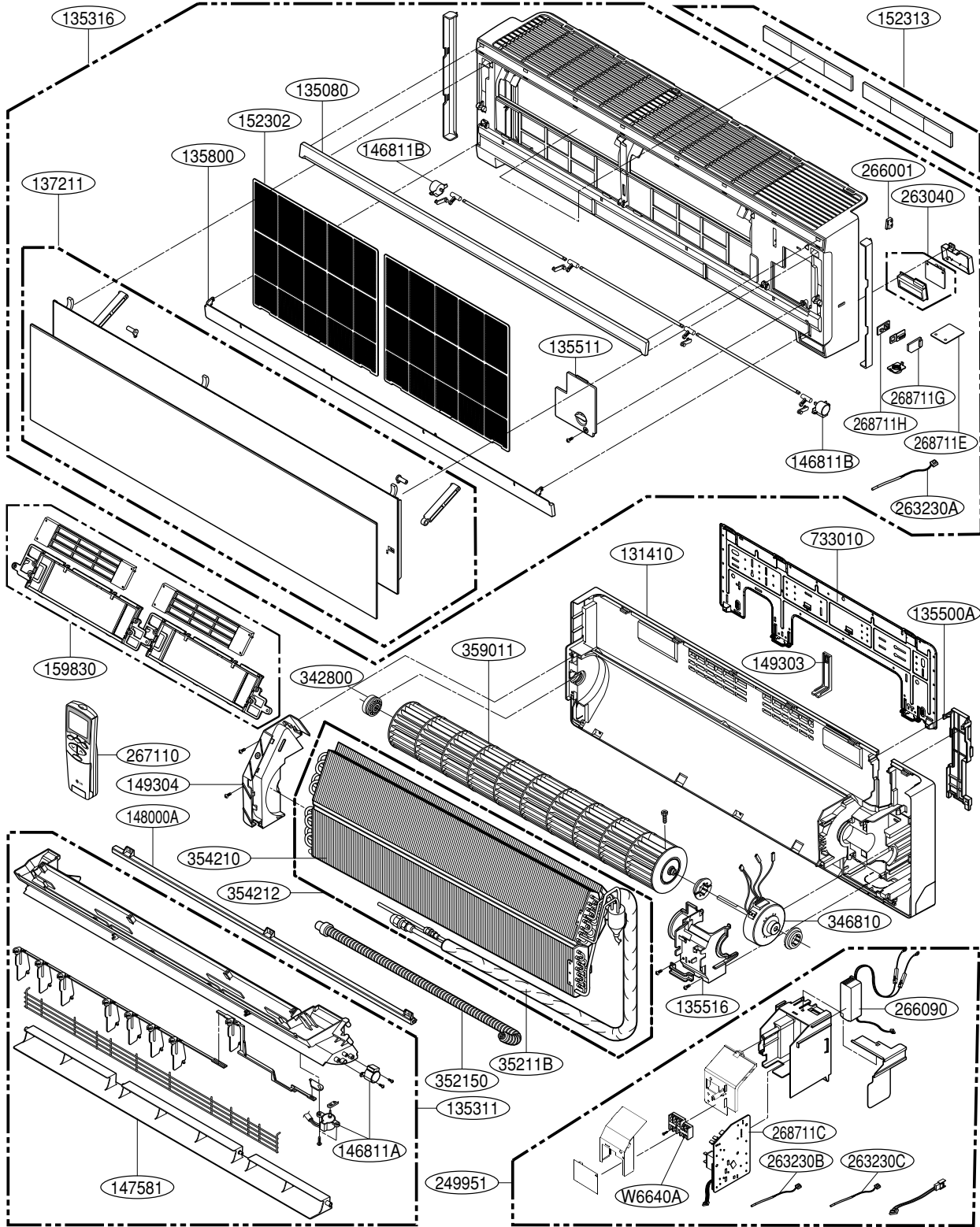


Outdoor Unit



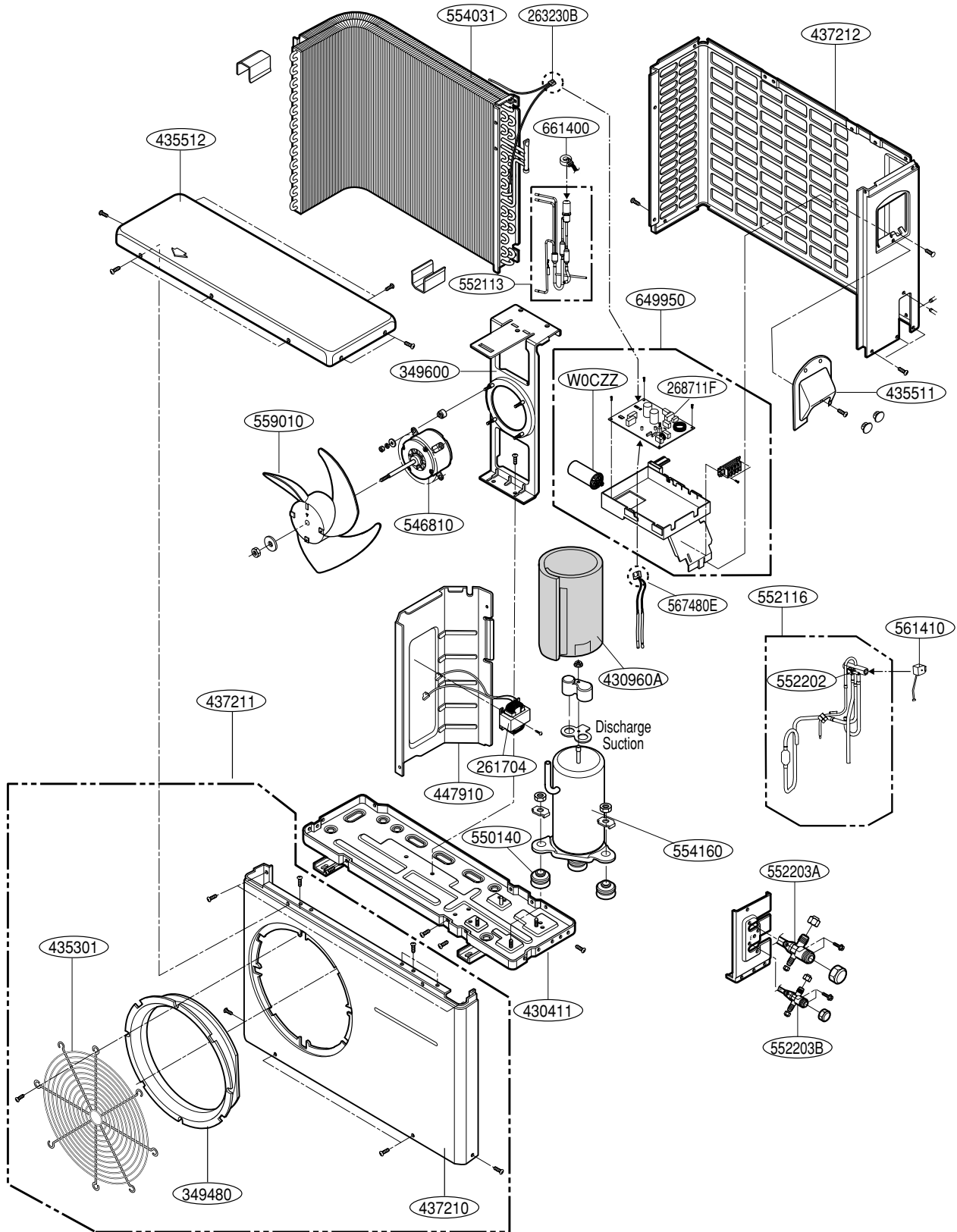
4. Exploded View

Indoor Unit



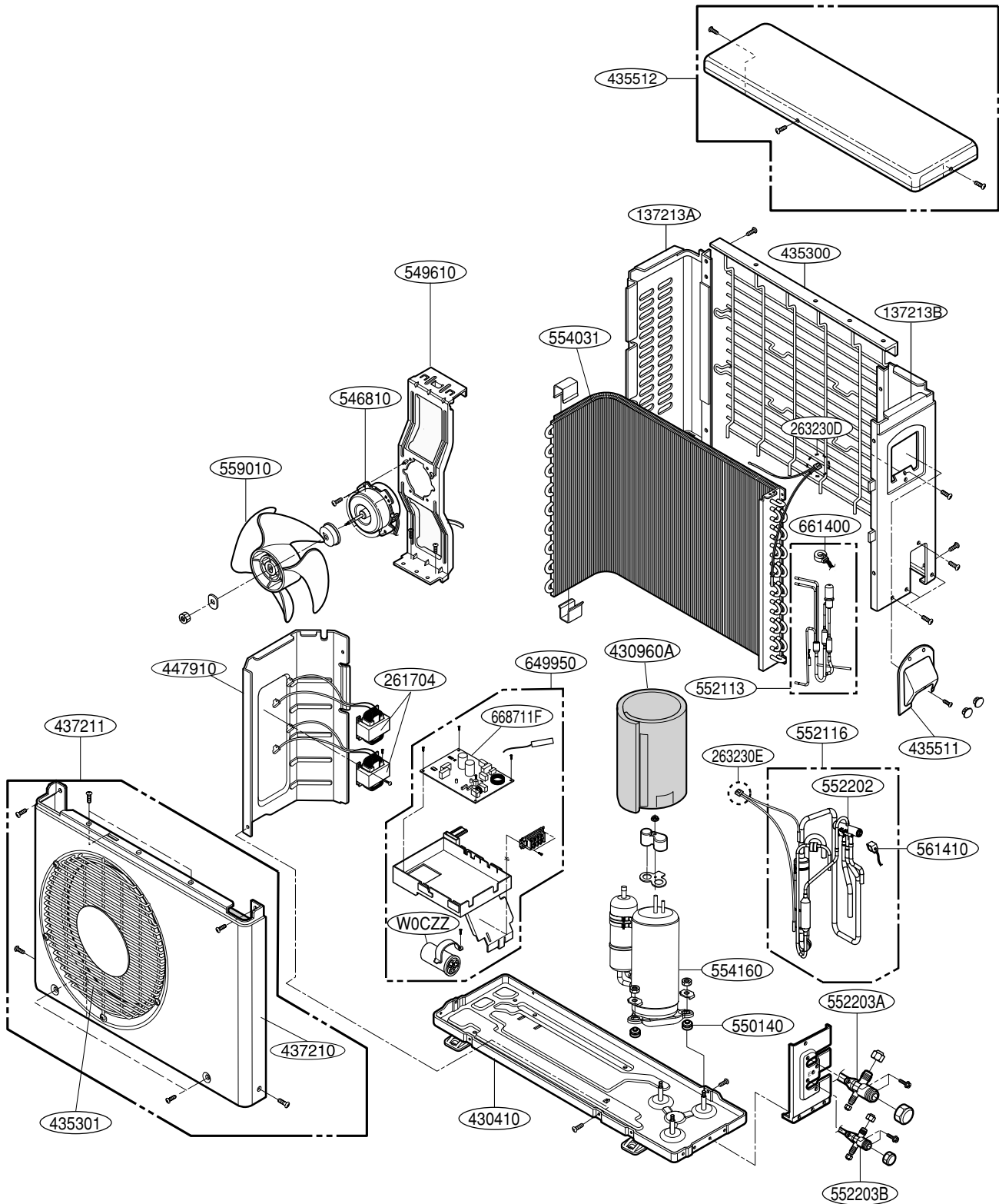
Note) * Please ensure GCSC since the replacement parts may be changed depending upon the buyer's request.
 Please check the correct parts in View RPL(Replacement Part List) on GCSC.
 (GCSC Website <http://biz.Lgservice.com>.)

Outdoor Unit 18k



Note) * Please ensure GCSC since the replacement parts may be changed depending upon the buyer's request. Please check the correct parts in View RPL(Replacement Part List) on GCSC. (GCSC Website <http://biz.Lgservice.com>.)

Outdoor Unit 24k



Note) * Please ensure GCSC since the replacement parts may be changed depending upon the buyer's request.
 Please check the correct parts in View RPL(Replacement Part List) on GCSC.
 (GCSC Website <http://biz.lgservice.com>,)



P/NO : MFL42286407

January, 2008

Free Manuals Download Website

<http://myh66.com>

<http://usermanuals.us>

<http://www.somanuals.com>

<http://www.4manuals.cc>

<http://www.manual-lib.com>

<http://www.404manual.com>

<http://www.luxmanual.com>

<http://aubethermostatmanual.com>

Golf course search by state

<http://golfingnear.com>

Email search by domain

<http://emailbydomain.com>

Auto manuals search

<http://auto.somanuals.com>

TV manuals search

<http://tv.somanuals.com>